



US00D672238S

(12) **United States Design Patent**
Aziz et al.

(10) **Patent No.:** **US D672,238 S**

(45) **Date of Patent:** **** Dec. 11, 2012**

(54) **CAP FOR A BOTTLE**

(75) Inventors: **Imraan Aziz**, Oakland, CA (US); **Tal Soltz**, San Francisco, CA (US)

(73) Assignee: **Tali Corp.**, San Francisco, CA (US)

(**) Term: **14 Years**

(21) Appl. No.: **29/422,688**

(22) Filed: **May 23, 2012**

D572,585	S	*	7/2008	Perrin et al.	D9/443
D584,623	S	*	1/2009	Chupak	D9/500
7,591,393	B2		9/2009	Crudgington, Jr.		
D616,744	S	*	6/2010	Cresswell et al.	D9/443
D626,416	S	*	11/2010	Cresswell et al.	D9/503
D627,601	S	*	11/2010	Eyal	D7/510
D628,486	S	*	12/2010	Lane	D9/503
D632,524	S	*	2/2011	Rosbach et al.	D7/511
D635,457	S	*	4/2011	Lane	D9/503
D638,708	S	*	5/2011	Walsh	D9/500
D647,369	S	*	10/2011	Bryman et al.	D7/507
D647,407	S	*	10/2011	Toh et al.	D9/688
2006/0169860	A1		8/2006	Alzheimer		
2008/0047967	A1		2/2008	Brunner et al.		
2009/0057257	A1		3/2009	Marcus et al.		

* cited by examiner

Related U.S. Application Data

(62) Division of application No. 29/378,299, filed on Nov. 2, 2010.

(51) **LOC (9) Cl.** **09-07**

(52) **U.S. Cl.** **D9/443**; D7/511; D7/510

(58) **Field of Classification Search** D7/510,
D7/536, 500, 509, 533, 534, 535, 900, 511;
D9/531, 443, 435, 434, 668, 503, 445, 439;
216/520; 215/200; 220/703, 710.5, 711

See application file for complete search history.

Primary Examiner — Cynthia Underwood

(74) *Attorney, Agent, or Firm* — William A. Loginov;
Loginov & Associates, PLLC

(57) **CLAIM**

The ornamental design for a cap for a bottle, substantially as shown.

DESCRIPTION

FIG. 1 is a perspective view of a cap for a bottle, according to the embodiment;

FIG. 2 is a front view of a cap for a bottle, according to the embodiment;

FIG. 3 is a rear view of a cap for a bottle, according to the embodiment;

FIG. 4 is a right side view of a cap for a bottle, according to the embodiment;

FIG. 5 is a left side view of a cap for a bottle, according to the embodiment;

FIG. 6 is a top view of a cap for a bottle, according to the embodiment; and,

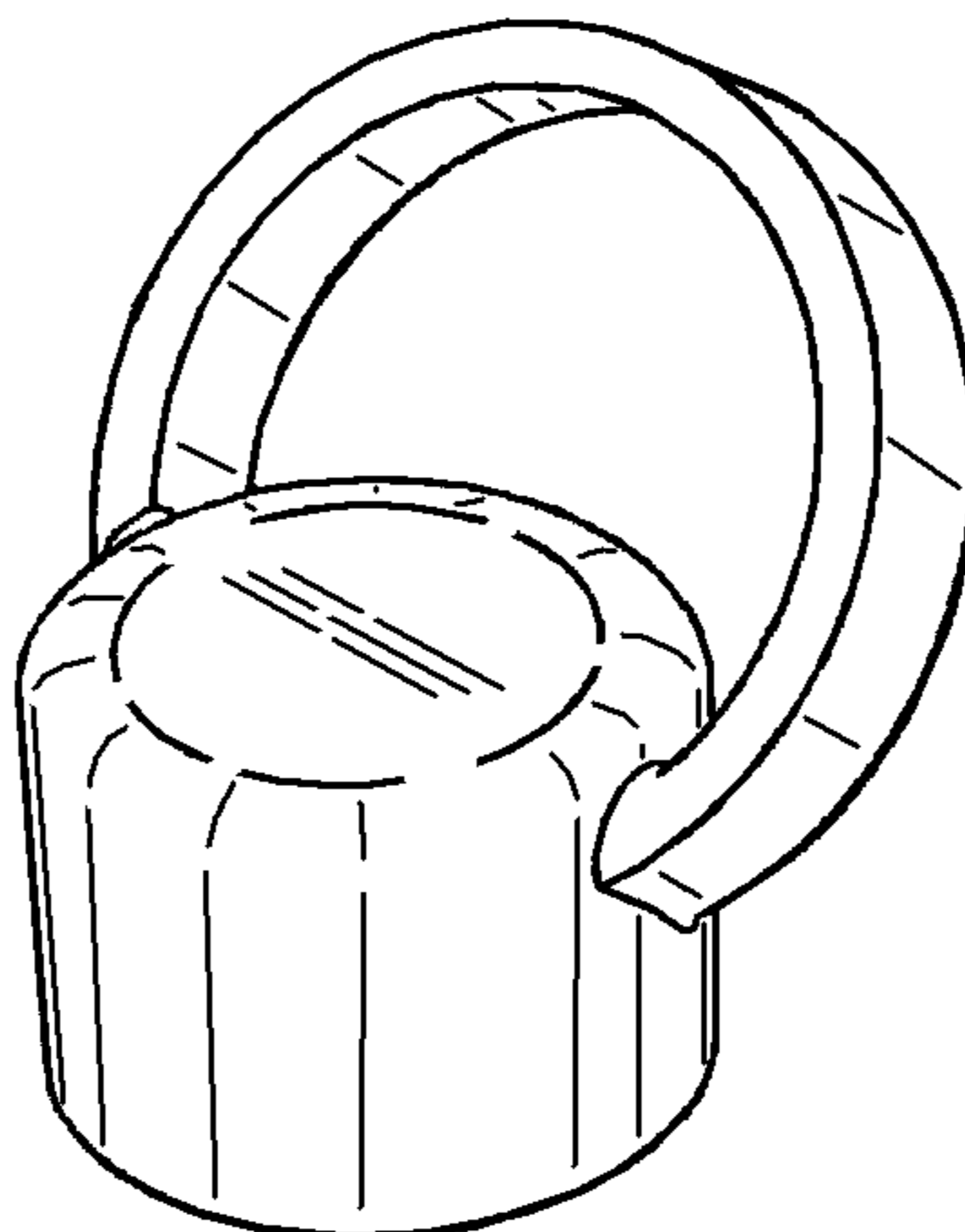
FIG. 7 is a bottom view of a cap for a bottle, according to the embodiment.

(56) **References Cited**

U.S. PATENT DOCUMENTS

5,454,482	A	10/1995	Simon		
D364,314	S	11/1995	Humphrey et al.		
D364,315	S	11/1995	Humphrey et al.		
D364,316	S	11/1995	Humphrey et al.		
D366,987	S	2/1996	Allegre		
5,927,524	A	7/1999	Miller		
D458,134	S	*	6/2002	Berish et al. D9/443
D476,231	S	*	6/2003	Paquette D9/439
6,772,891	B1	8/2004	Song		
6,783,020	B2	8/2004	Featherston et al.		
7,152,750	B2	12/2006	Coffey		
D547,611	S	7/2007	Seum et al.		
D550,562	S	*	9/2007	Yew D9/538
D554,000	S	*	10/2007	Walsh D9/772
D559,622	S	1/2008	Carreno		
7,337,915	B1	3/2008	Weldon		

1 Claim, 1 Drawing Sheet



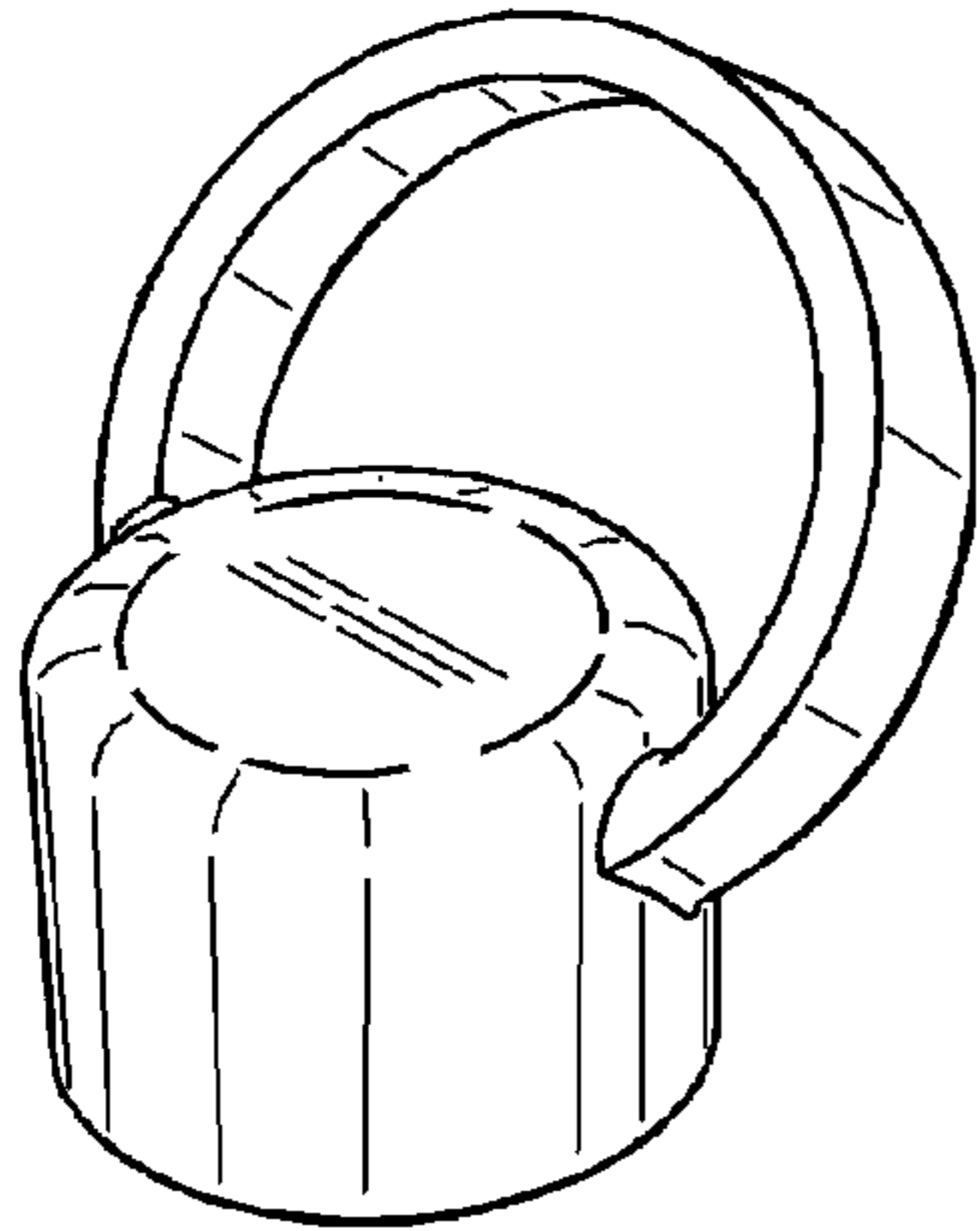


Fig. 1

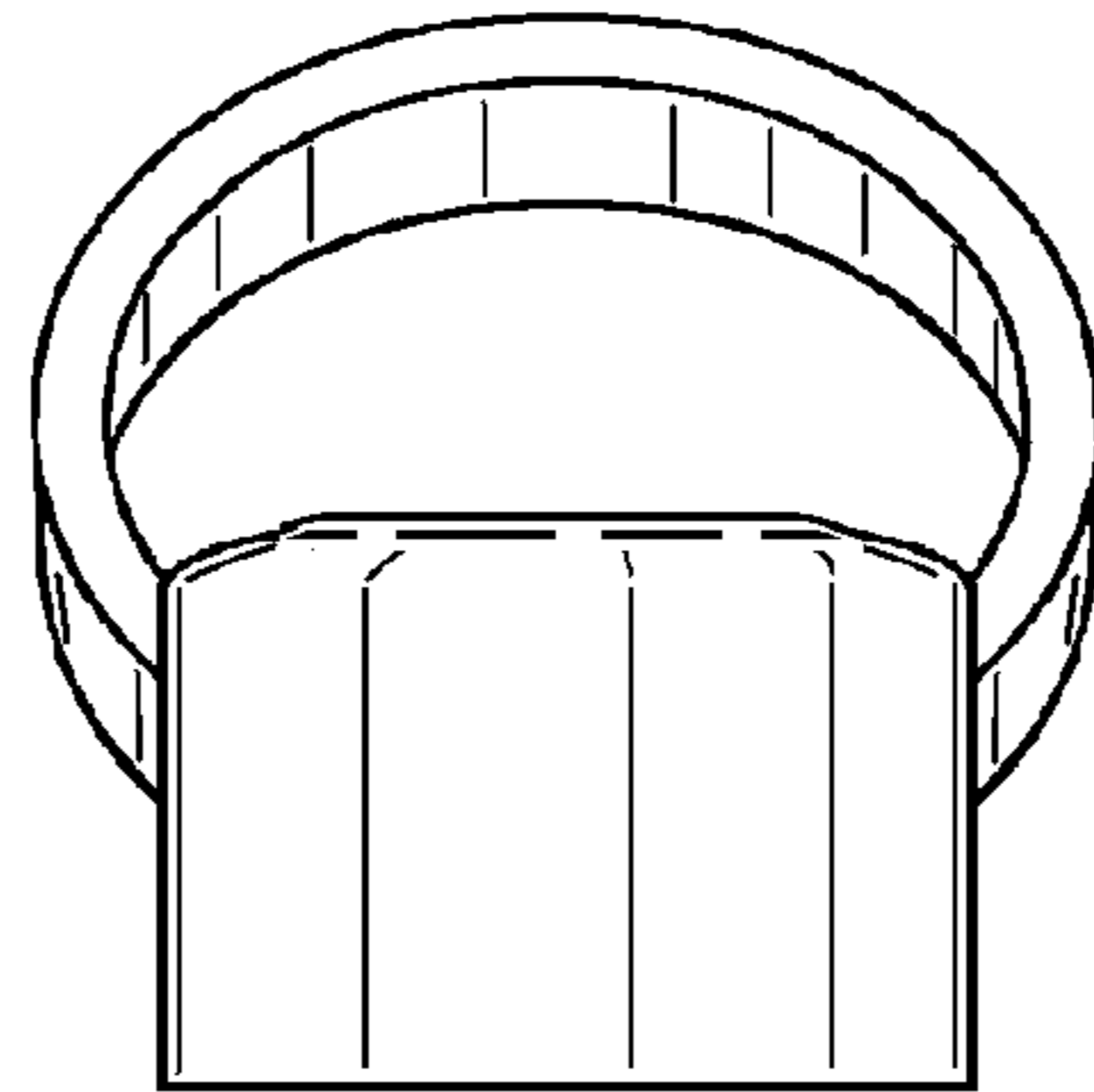


Fig. 2

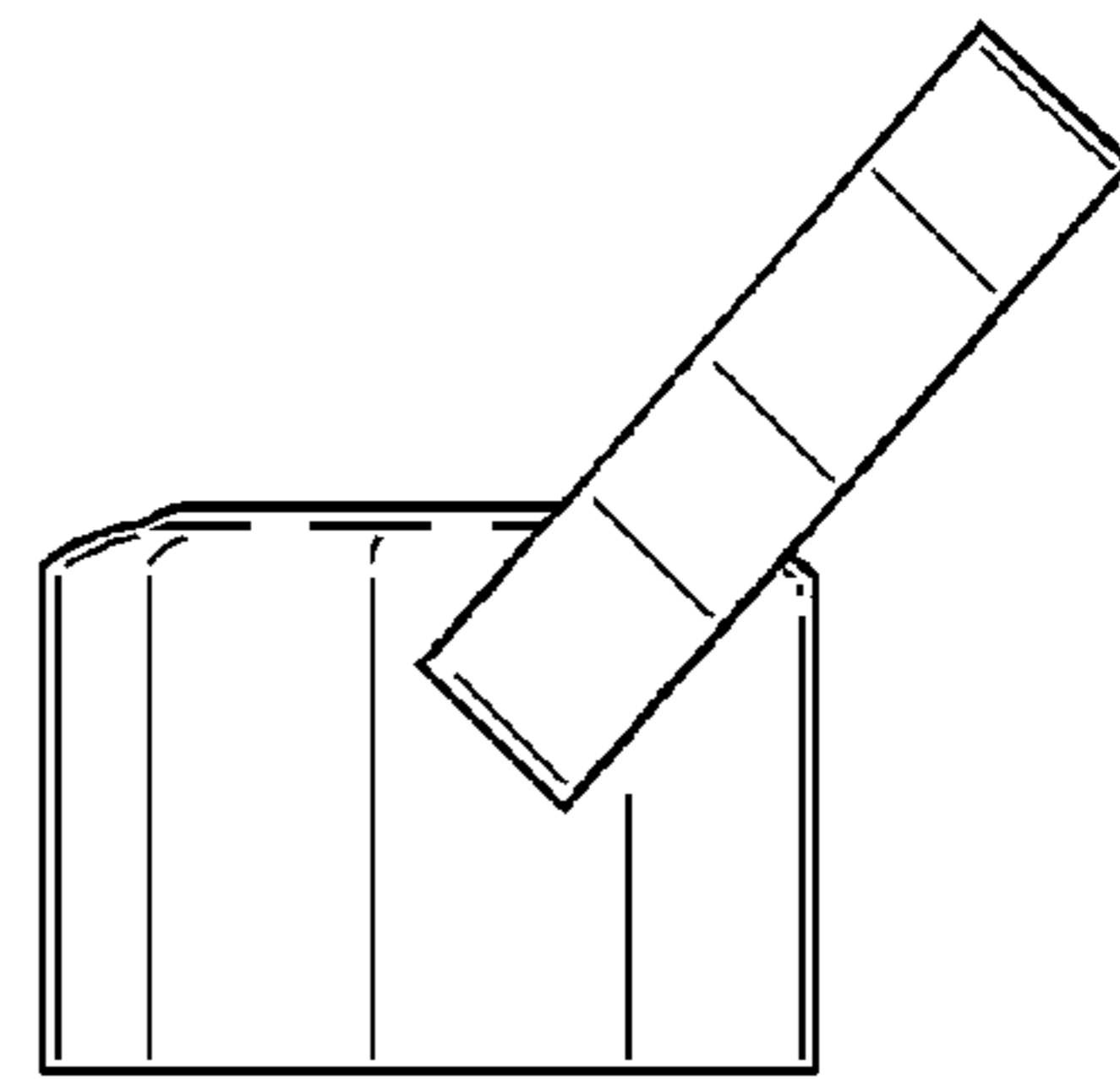


Fig. 4

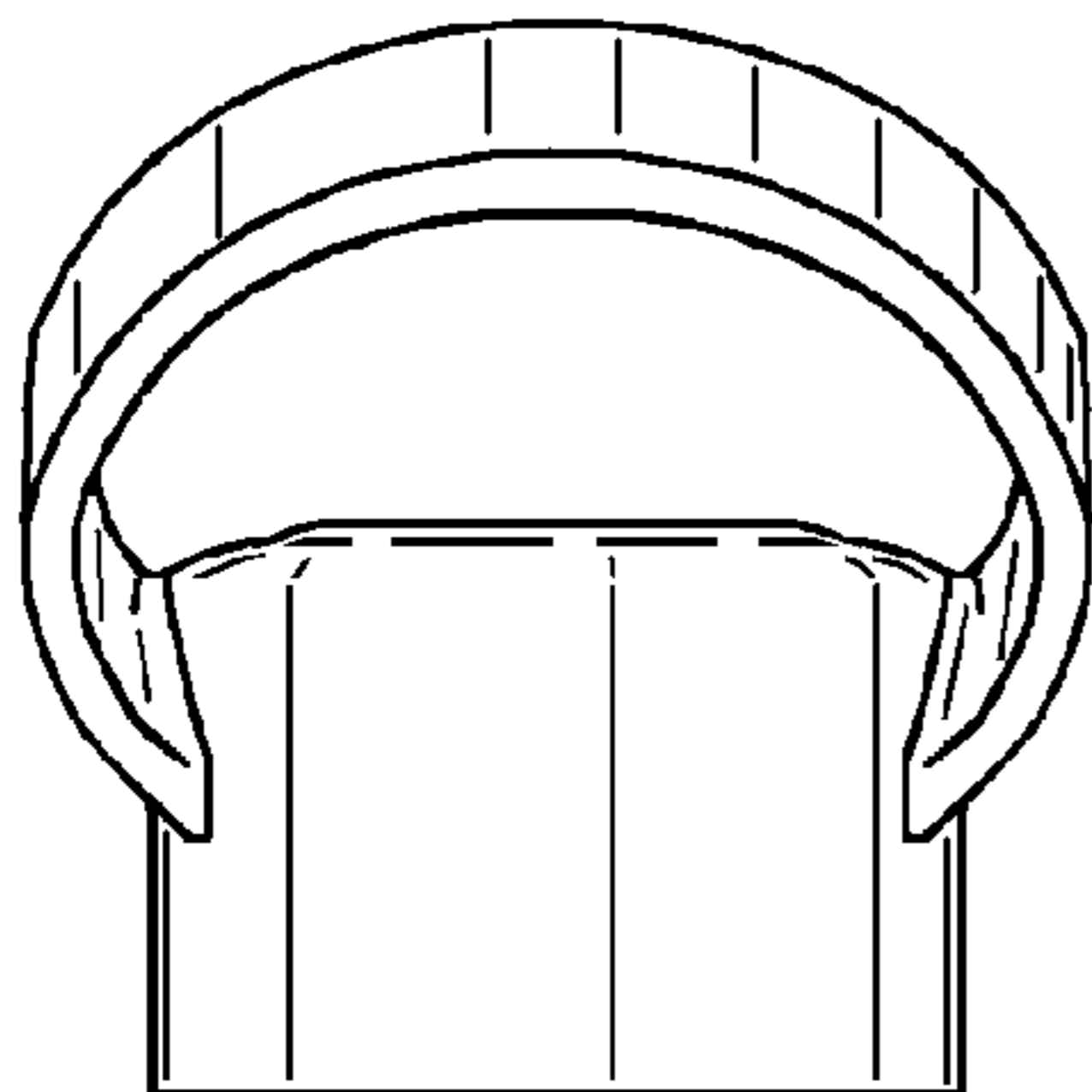


Fig. 3

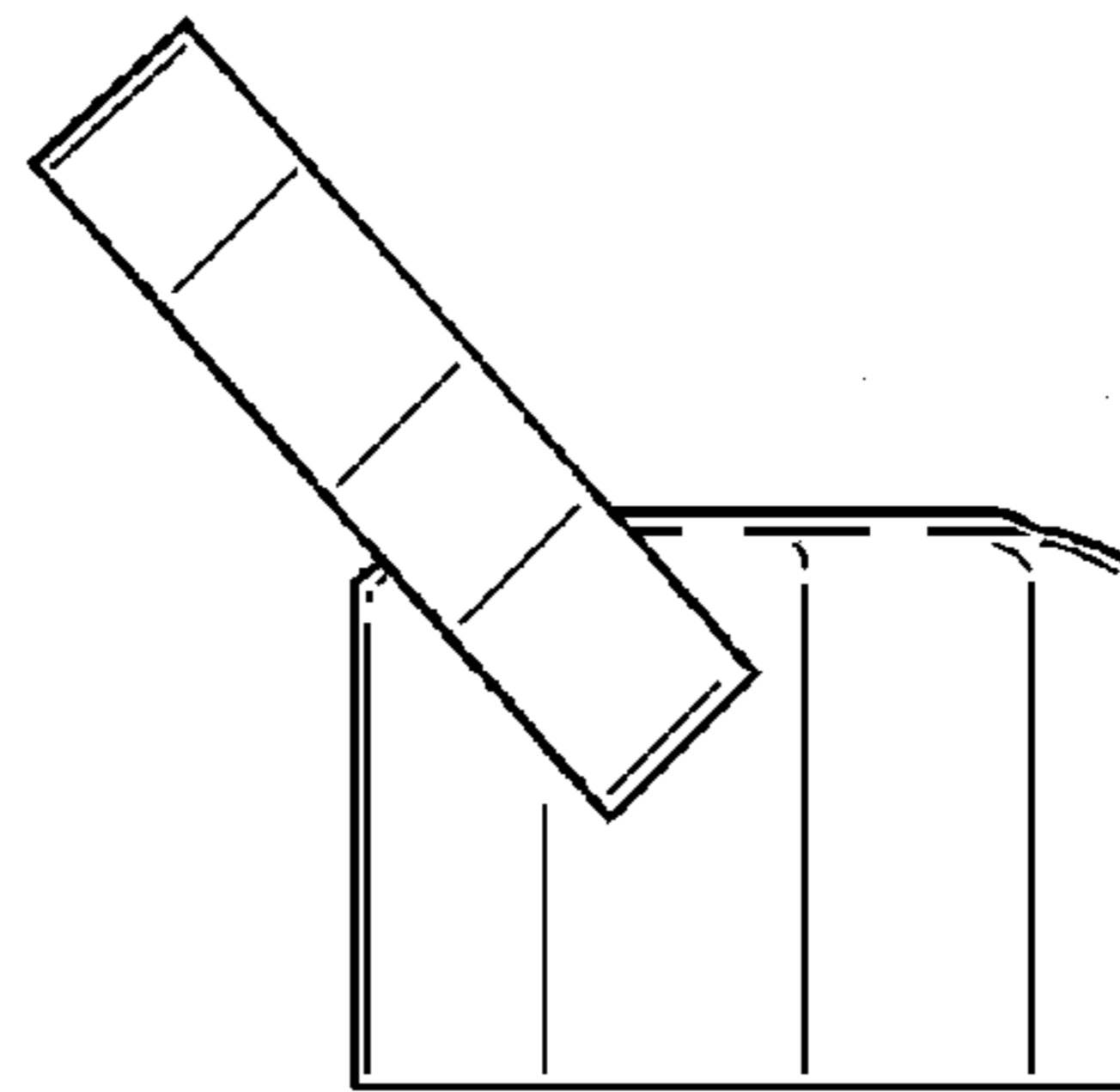


Fig. 5

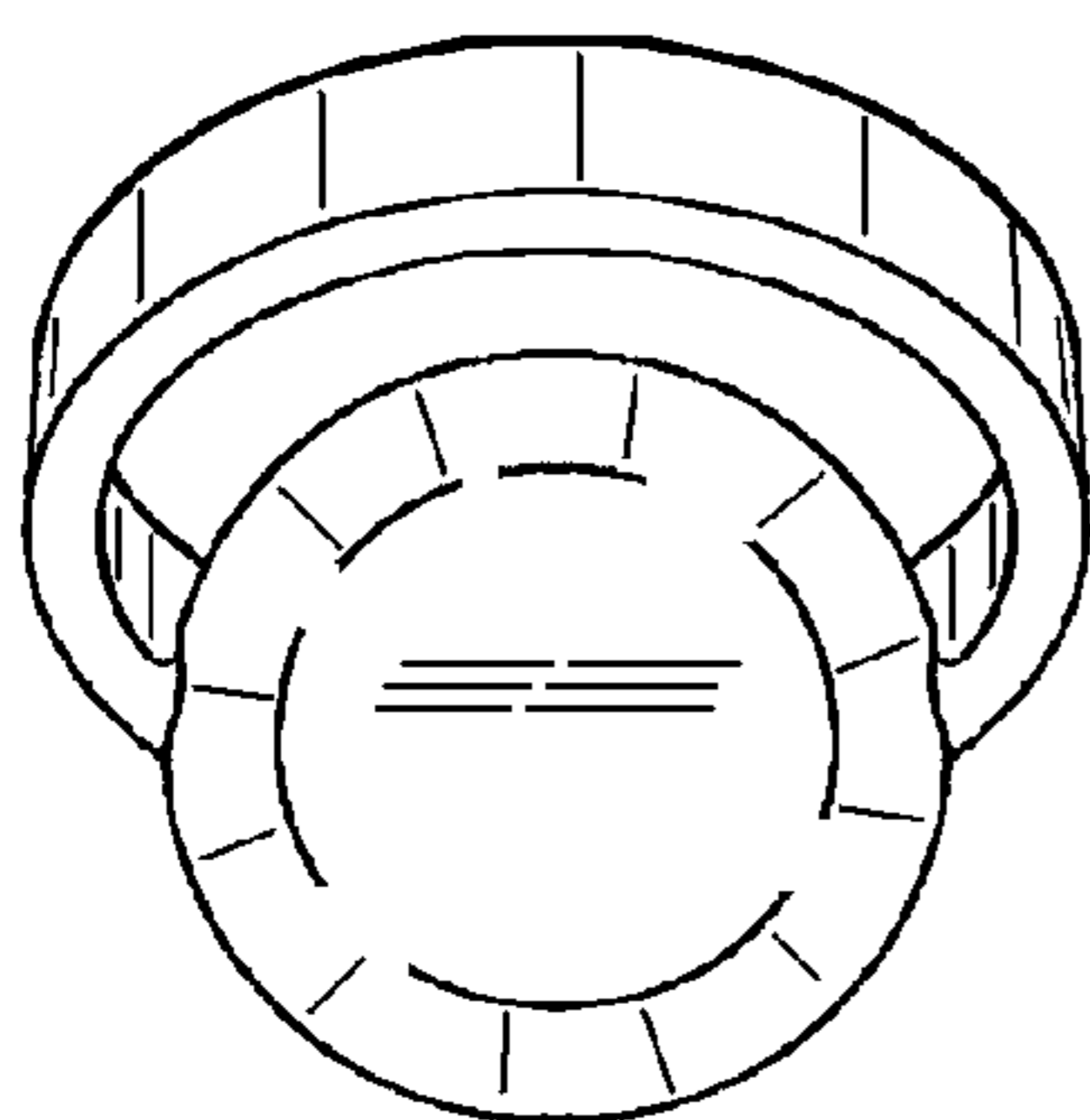


Fig. 6

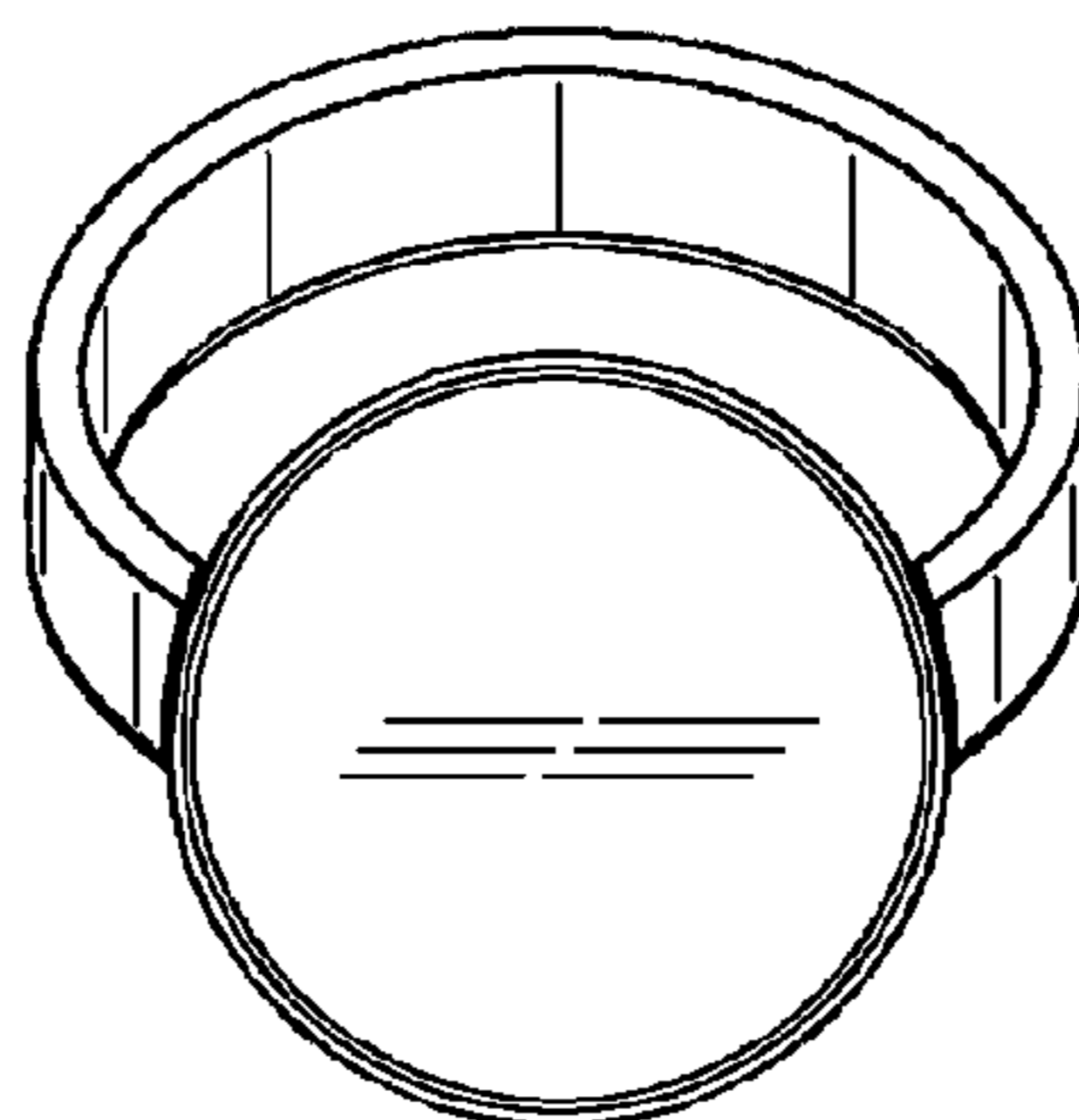


Fig. 7