



US00D672236S

(12) **United States Design Patent**
Zomorodi et al.

(10) **Patent No.:** **US D672,236 S**
(45) **Date of Patent:** **** Dec. 11, 2012**

(54) **PARFAIT CUP**

(75) Inventors: **Brian Zomorodi**, La Canada Flintridge, CA (US); **Loys Larpin**, Monrovia, CA (US)

(73) Assignee: **Ready Pac Foods, Inc.**, Irwindale, CA (US)

(**) Term: **14 Years**

(21) Appl. No.: **29/402,782**

(22) Filed: **Sep. 27, 2011**

D286,508	S	*	11/1986	Tilden	D9/435
D292,380	S	*	10/1987	Smith	D9/435
D449,986	S	*	11/2001	Schaefer	D9/434
D453,107	S	*	1/2002	Wyslowsky et al.	D9/418
6,357,619	B1	*	3/2002	Schaefer	220/709
D560,120	S	*	1/2008	Maravich et al.	D9/454
D564,354	S	*	3/2008	Maravich et al.	D9/452
D574,238	S	*	8/2008	Walker et al.	D9/452
D585,279	S	*	1/2009	Walker et al.	D9/452
D631,693	S	*	2/2011	Giraud et al.	D7/396.1
2004/0245261	A1	*	12/2004	Stanos et al.	220/793

* cited by examiner

Primary Examiner — Susan Bennett Hattan

(74) *Attorney, Agent, or Firm* — Jones Day

Related U.S. Application Data

(63) Continuation of application No. 29/364,057, filed on Jun. 17, 2010, now Pat. No. Des. 648,629.

(51) **LOC (9) Cl.** **09-07**

(52) **U.S. Cl.** **D9/435; D9/452**

(58) **Field of Classification Search** D9/454, D9/452, 438, 434, 429, 428, 425, 424, 416, D9/449, 445, 435, 418; D7/396.1, 396.2, D7/392.1, 601; 220/791, 675, 657-669, 220/4.21, 288, 266
See application file for complete search history.

(56) **References Cited**

U.S. PATENT DOCUMENTS

3,583,596	A	*	6/1971	Brewer	220/781
D243,069	S	*	1/1977	Igelman	D9/428
4,508,235	A	*	4/1985	Steele et al.	215/307

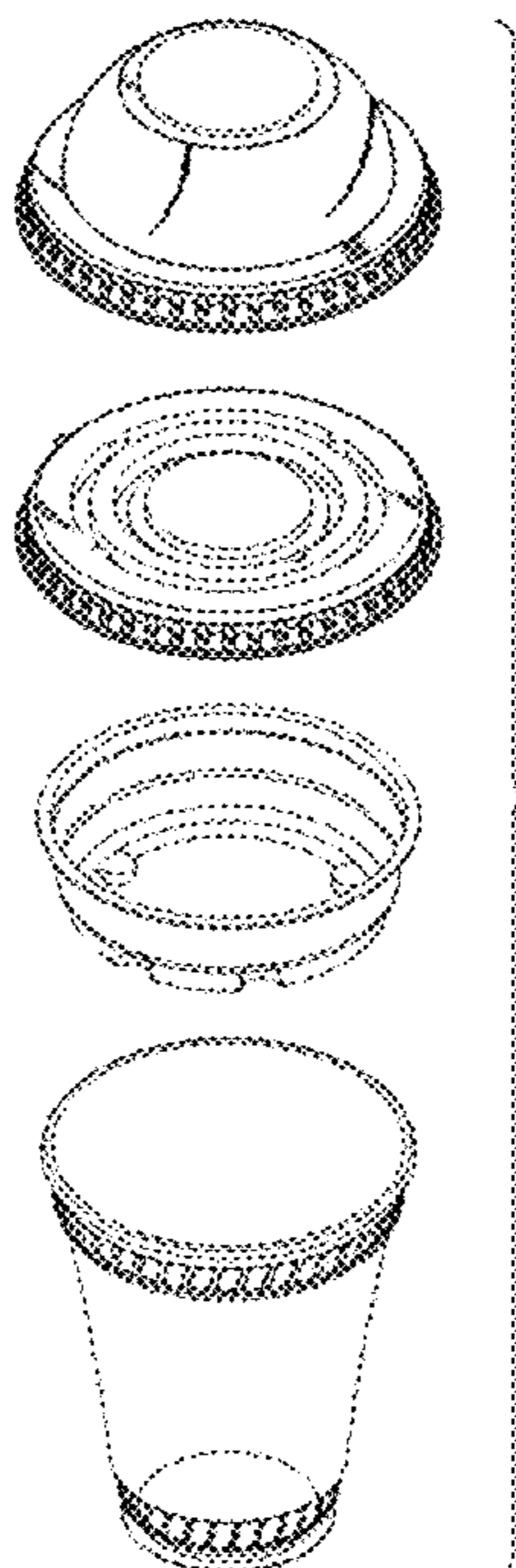
(57) **CLAIM**

The ornamental design for a parfait cup, as shown and described.

DESCRIPTION

FIG. 1 is a perspective view of the parfait cup; FIG. 2 is an exploded, perspective view thereof; FIG. 3 is a side elevation view thereof; FIG. 4 is another side elevation view thereof; FIG. 5 is another side elevation view thereof; FIG. 6 is another side elevation view thereof; FIG. 7 is a top plan view thereof; and, FIG. 8 is a bottom plan view thereof.
The broken lines in the drawings depict environmental subject matter only and form no part of the claimed design.

1 Claim, 3 Drawing Sheets



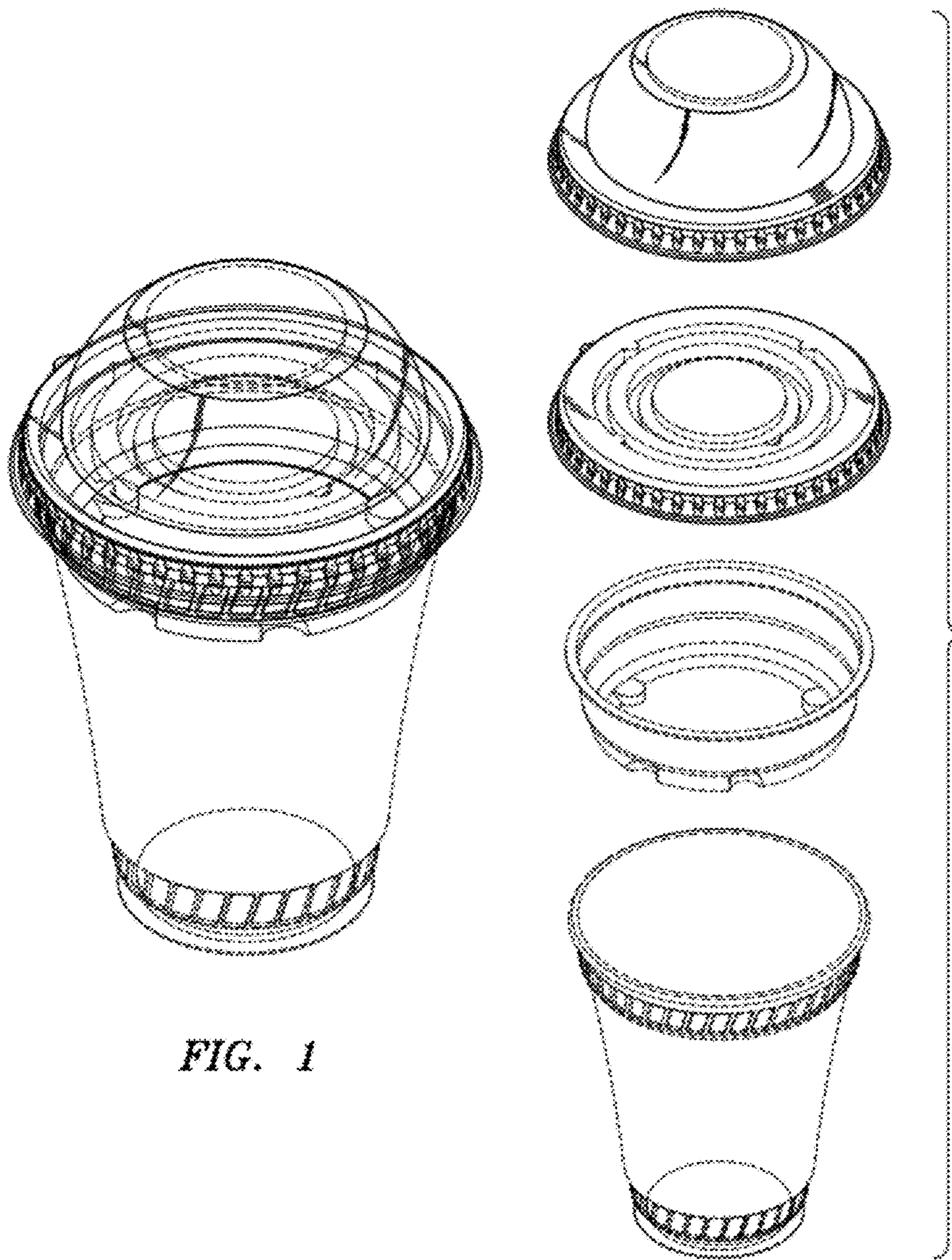


FIG. 1

FIG. 2

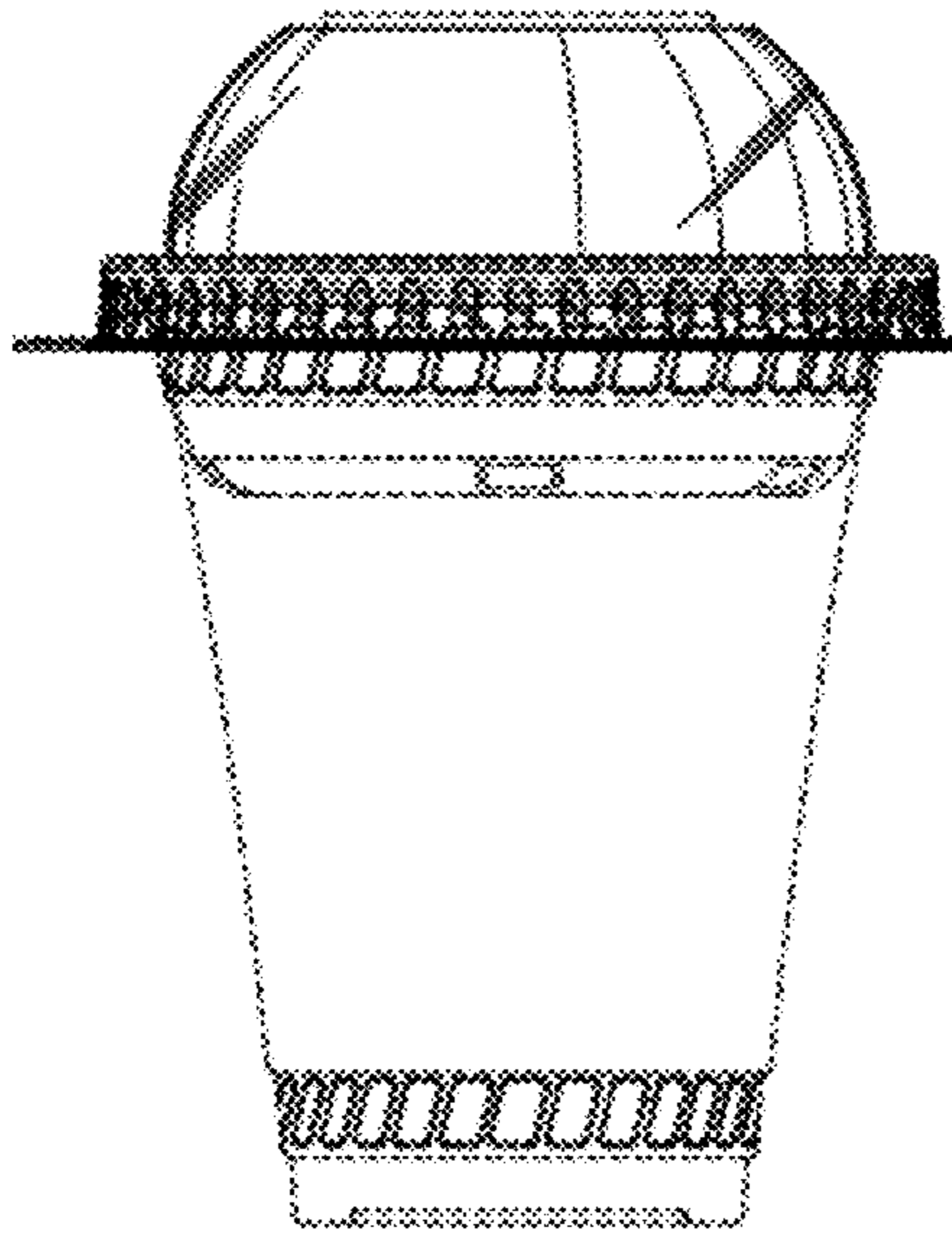


FIG. 3

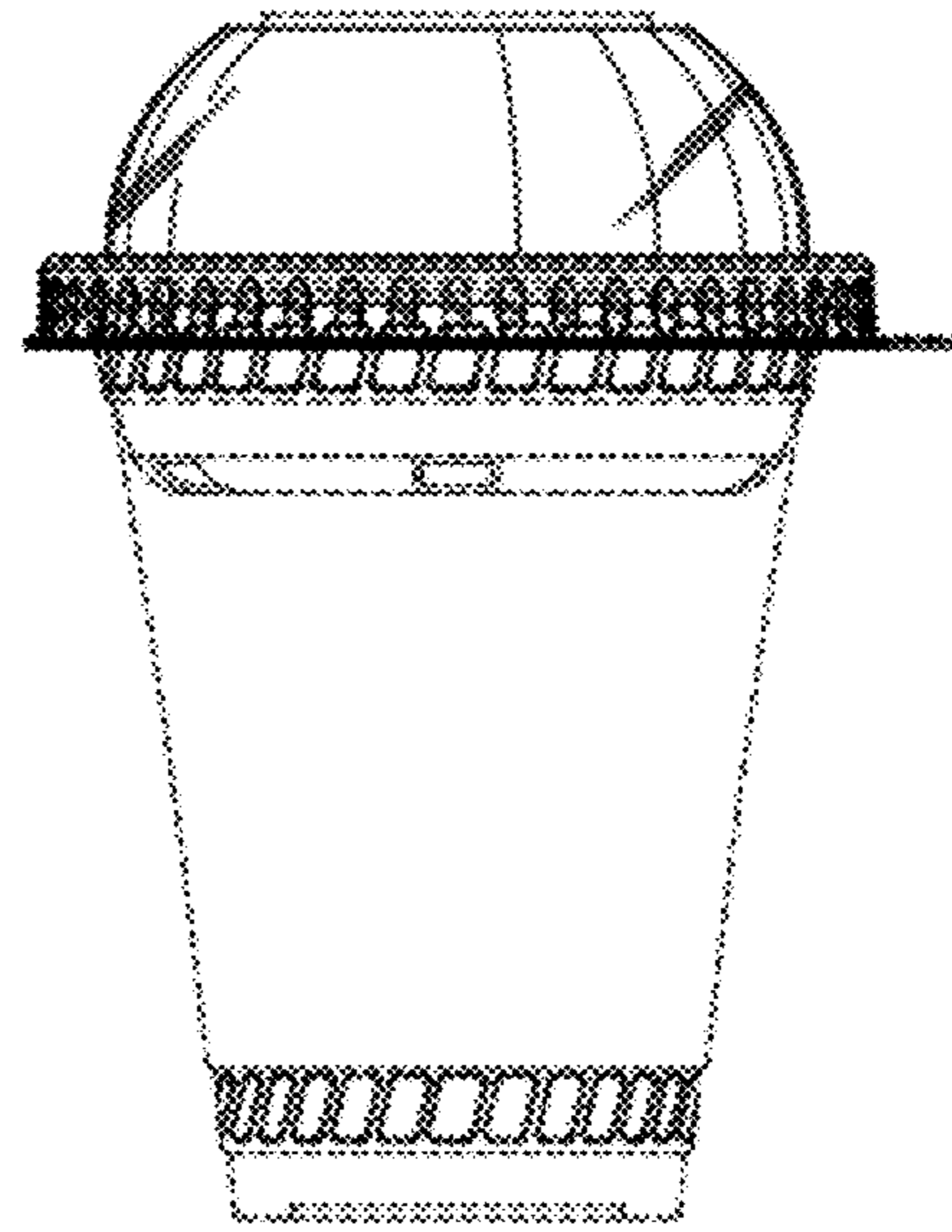


FIG. 4

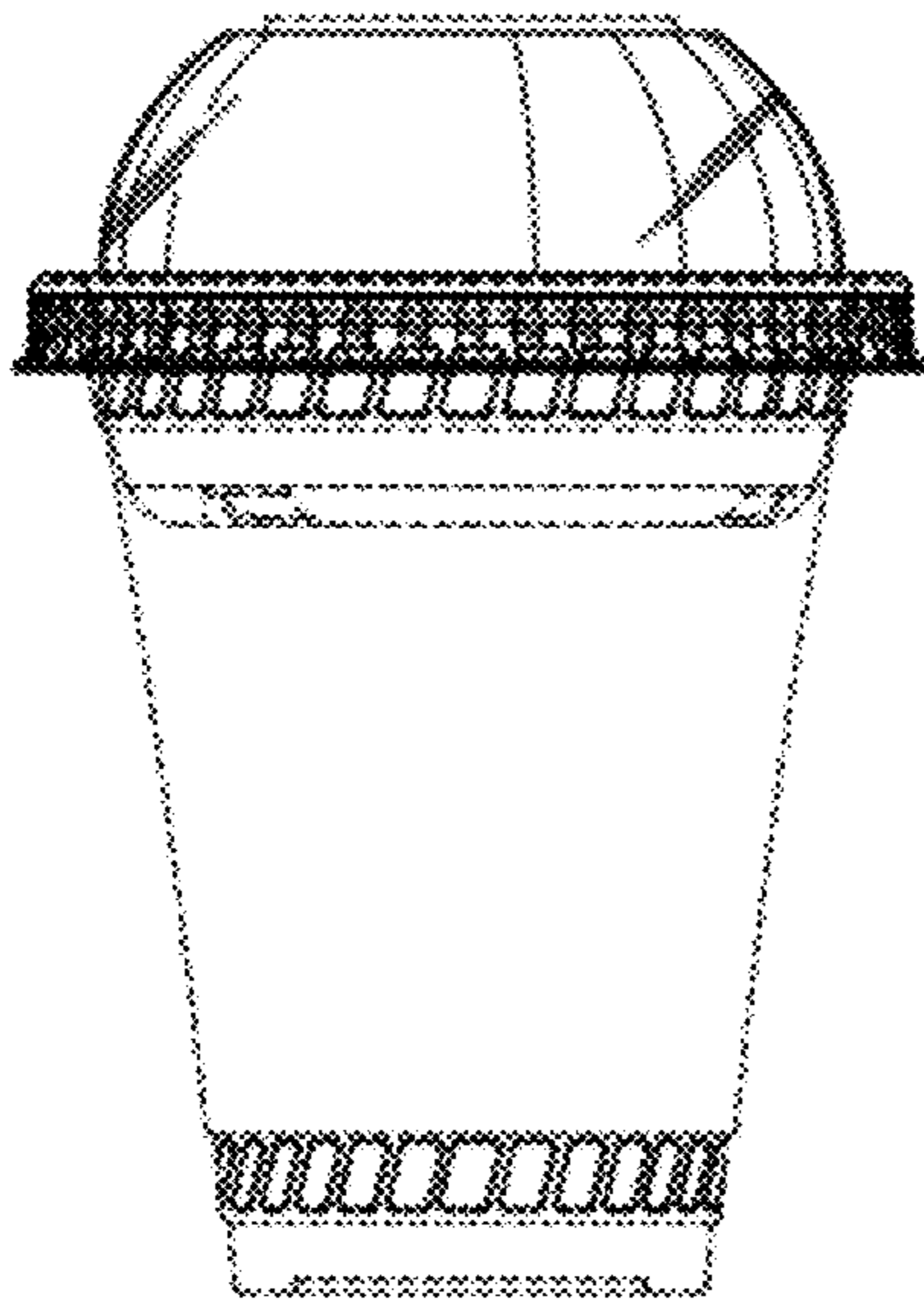


FIG. 5

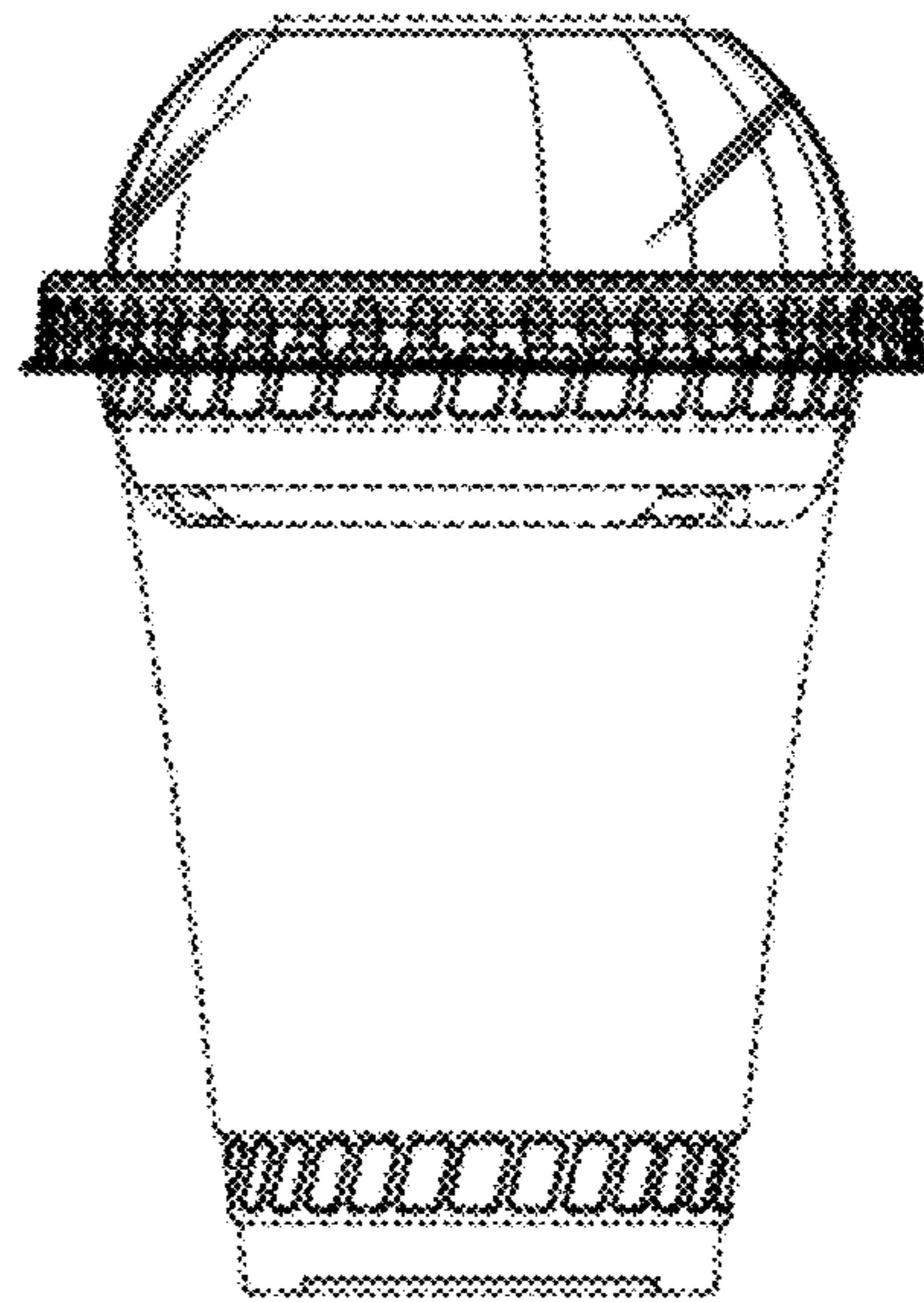


FIG. 6

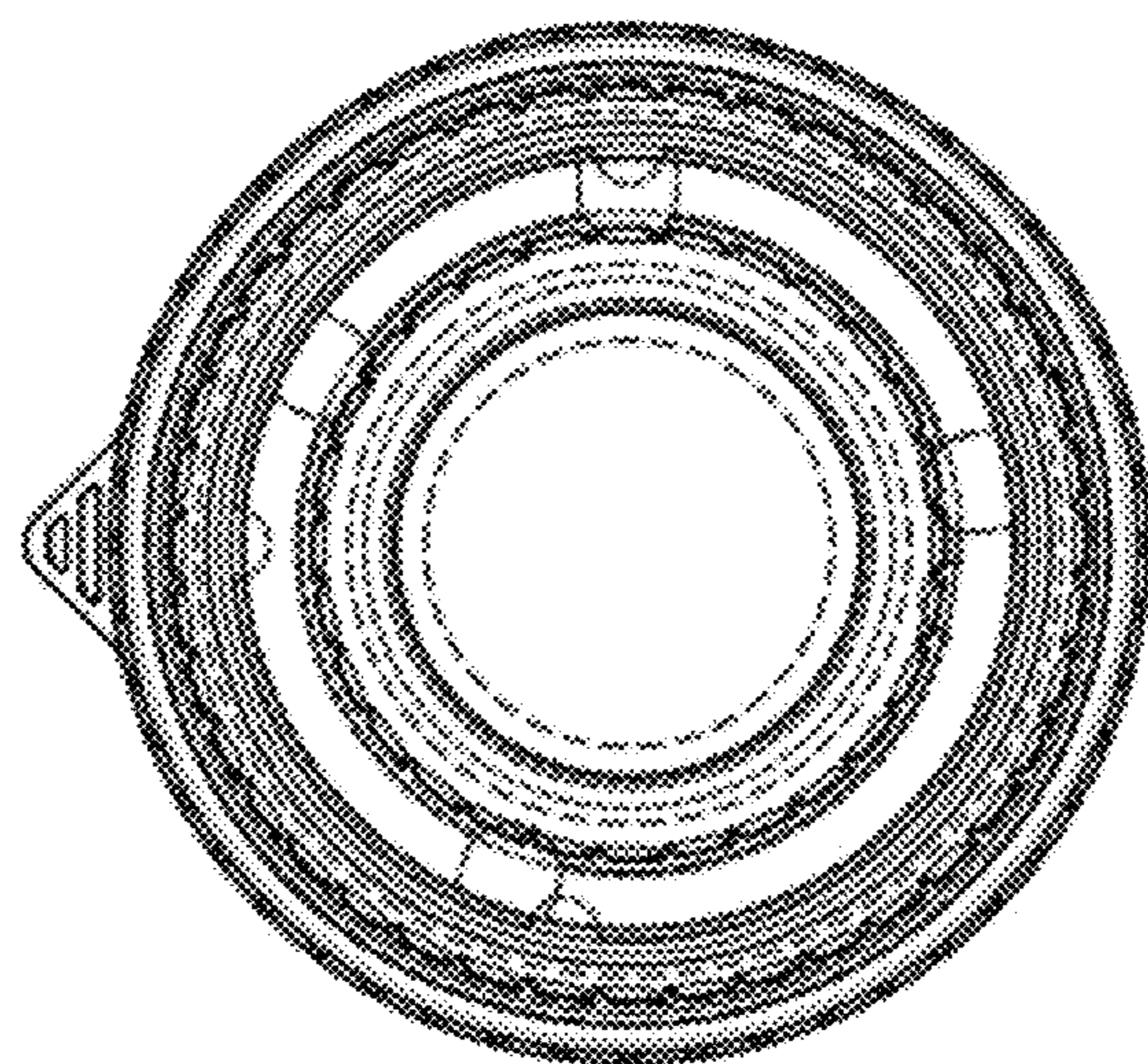


FIG. 7

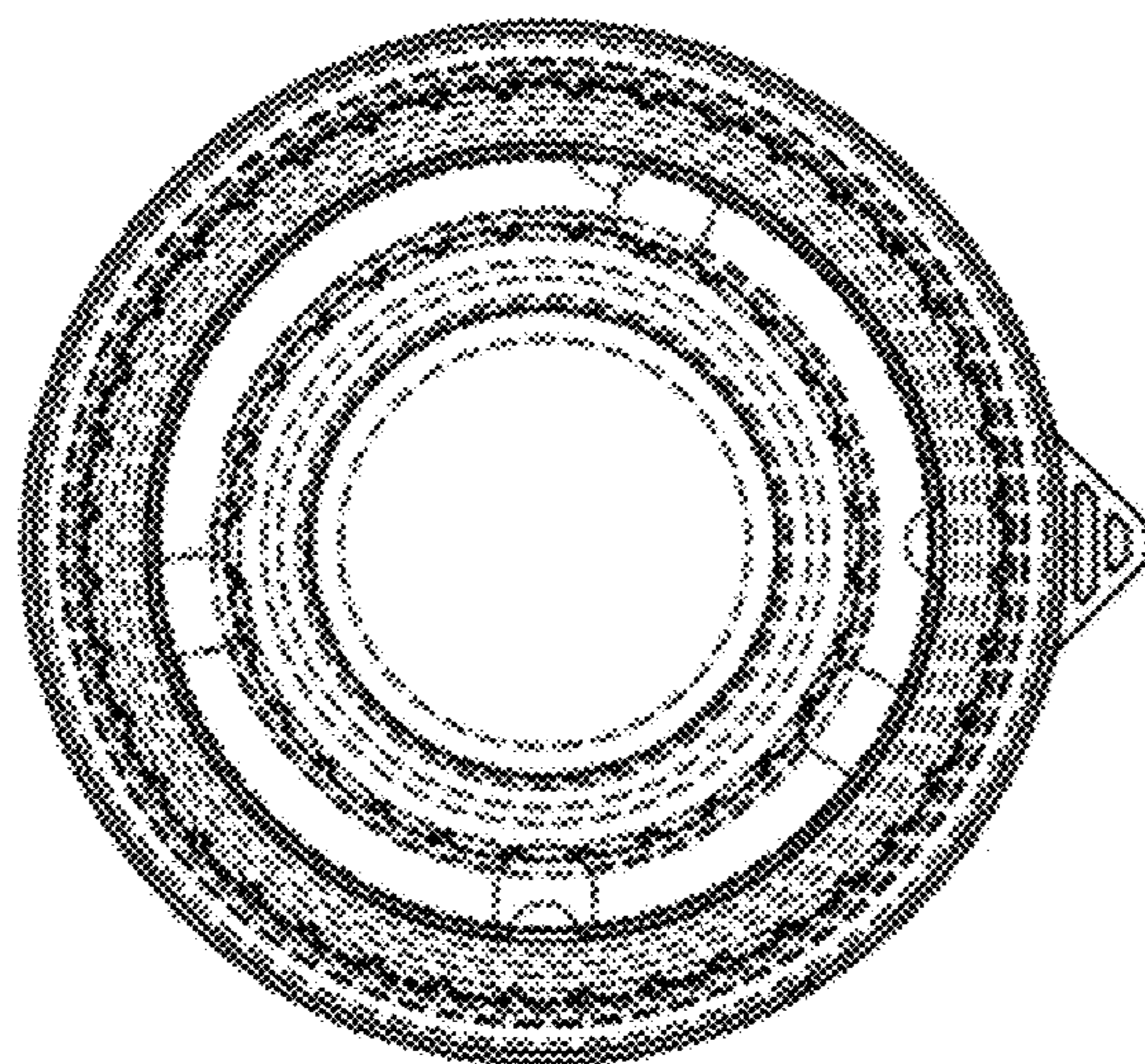


FIG. 8