



US00D672235S

(12) **United States Design Patent**
Chapin

(10) **Patent No.:** **US D672,235 S**

(45) **Date of Patent:** **** Dec. 11, 2012**

(54) **COUNTERSINK GROOVE COVER FOR A BEVERAGE CAN**

(76) Inventor: **Barry W. Chapin**, Westborough, MA (US)

(**) Term: **14 Years**

(21) Appl. No.: **29/419,316**

(22) Filed: **Apr. 26, 2012**

Related U.S. Application Data

(62) Division of application No. 29/394,693, filed on Jun. 20, 2011, now Pat. No. Des. 658,980, which is a division of application No. 29/365,508, filed on Jul. 9, 2010, now Pat. No. Des. 640,141.

(51) **LOC (9) Cl.** **09-07**

(52) **U.S. Cl.** **D9/434**

(58) **Field of Classification Search** D9/780, D9/778, 772, 763, 756, 556, 529, 518, 504, D9/503, 454, 450, 449, 447, 440, 438, 435, D9/434, 428, 425, 424; D7/584, 392.1, 549, D7/557, 601, 630, 396.2; 229/123.1; 222/556; 220/906, 806, 716, 713, 711, 359.3, 359.1, 220/285, 273, 265, 259.2-259.4, 258.2, 257.1, 220/254.4; 215/256, 249, 232, 216; 206/530
See application file for complete search history.

(56) **References Cited**

U.S. PATENT DOCUMENTS

D126,200	S	*	4/1941	Eisenburg	D9/434
2,693,685	A	*	11/1954	Stafford	220/716
2,812,886	A	*	11/1957	Weinstein	222/569
3,693,829	A	*	9/1972	Price	220/698
3,894,650	A	*	7/1975	Crump	220/701
4,084,525	A	*	4/1978	Booth	53/408
4,087,018	A	*	5/1978	Tebbutt	220/257.2
4,316,560	A	*	2/1982	Carter	222/567
4,579,257	A	*	4/1986	Brandlein	222/192
4,609,123	A	*	9/1986	Poncy	220/270

4,679,702	A	*	7/1987	Maccarone et al.	220/717
4,741,450	A	*	5/1988	Braude	220/712
4,749,100	A	*	6/1988	Eberhart	220/792
4,752,016	A	*	6/1988	Eads	220/253
4,815,628	A	*	3/1989	Wehnert, III	220/796

(Continued)

Primary Examiner — Susan Bennett Hattan

(74) *Attorney, Agent, or Firm* — Chapin IP Law, LLC

(57) **CLAIM**

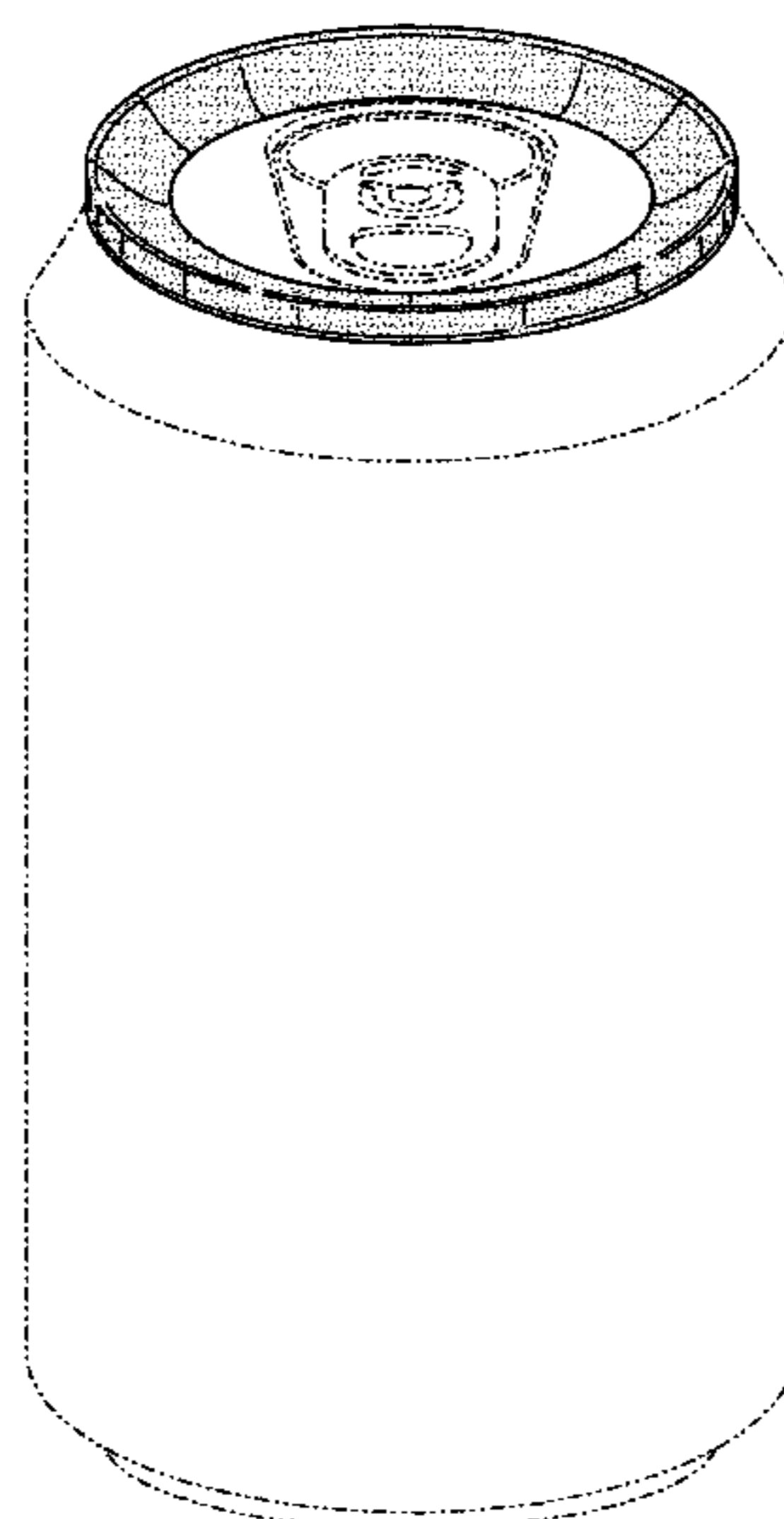
A countersink groove cover for a beverage can, substantially as shown.

DESCRIPTION

FIG. 1 is a perspective view of the countersink groove cover for a beverage can according to a first embodiment;
 FIG. 2 is top view of the countersink groove cover for a beverage can according to a first embodiment;
 FIG. 3 is bottom view of the countersink groove cover for a beverage can according to a first embodiment;
 FIG. 4 is side view of the countersink groove cover for a beverage can according to a first embodiment;
 FIG. 5 is cross section profile cutaway view of the countersink groove cover for a beverage can according to a first embodiment;
 FIG. 6 is a perspective view of the countersink groove cover for a beverage can according to a second embodiment;
 FIG. 7 is top view of the countersink groove cover for a beverage can according to a second embodiment;
 FIG. 8 is bottom view of the countersink groove cover for a beverage can according to a second embodiment;
 FIG. 9 is side view of the countersink groove cover for a beverage can according to a second embodiment; and,
 FIG. 10 is cross section profile cutaway view of the countersink groove cover for a beverage can according to a second embodiment.

The broken lines in the FIGURES are for illustrative purposes only and form no part of the claimed design.

1 Claim, 6 Drawing Sheets



US D672,235 S

Page 2

U.S. PATENT DOCUMENTS

D300,607	S *	4/1989	Ball	D9/438	D500,343	S *	12/2004	McRobbie	D20/28
4,834,258	A *	5/1989	Root	220/269	6,877,607	B2 *	4/2005	Jenkins	206/459.1
4,869,389	A *	9/1989	Cerrone, Jr.	220/713	D507,485	S *	7/2005	Fields	D9/438
4,880,136	A *	11/1989	Englert	220/253	6,915,553	B2 *	7/2005	Turner et al.	29/505
4,917,258	A *	4/1990	Boyd et al.	220/240	6,992,586	B2 *	1/2006	Rosenfeld	340/572.1
4,941,573	A *	7/1990	Fuerstman	206/459.5	7,017,769	B1 *	3/2006	Talmon	220/258.2
4,969,570	A *	11/1990	Harvey, Sr.	220/733	7,017,796	B2 *	3/2006	Ishikawa	229/125.15
5,014,869	A *	5/1991	Hammond	220/712	D522,860	S *	6/2006	LaFortune	D9/449
5,103,973	A *	4/1992	Sato	220/270	7,100,789	B2 *	9/2006	Nguyen et al.	220/623
5,105,964	A *	4/1992	Heath	220/784	7,108,469	B2 *	9/2006	Jenkins	413/8
5,108,003	A *	4/1992	Granofsky	220/257.2	7,195,130	B2 *	3/2007	Pendergrass et al.	220/254.1
5,119,955	A *	6/1992	Granofsky	220/270	D559,680	S *	1/2008	Jacober et al.	D9/438
5,131,554	A *	7/1992	Kuo	220/258.2	7,370,774	B2 *	5/2008	Watson et al.	220/619
D329,602	S *	9/1992	Cochrane	D9/435	D603,218	S *	11/2009	Hollinger	D7/412
D329,603	S *	9/1992	Barrett	D9/435	7,644,833	B2 *	1/2010	Turner et al.	220/269
5,244,111	A *	9/1993	Merom	220/694	7,757,887	B2 *	7/2010	Gardiner	220/733
5,273,176	A *	12/1993	Diaz	220/258.2	D623,061	S *	9/2010	Wong	D9/454
5,285,924	A *	2/1994	Morris	220/694	D625,190	S *	10/2010	Pontes	D9/454
5,292,022	A *	3/1994	Blanco	220/257.1	D628,894	S *	12/2010	Pontes	D9/454
5,492,077	A *	2/1996	Rose	116/307	RE42,485	E *	6/2011	Fields	D9/438
5,645,190	A *	7/1997	Goldberg	220/674	D641,239	S *	7/2011	Ramsey et al.	D9/435
5,647,497	A *	7/1997	Labbe	220/257.2	D641,622	S *	7/2011	Fields	D9/435
5,692,633	A *	12/1997	Gordon	220/253	D641,623	S *	7/2011	Fields	D9/435
5,813,561	A *	9/1998	Chang et al.	220/269	D643,718	S *	8/2011	Fields	D9/435
D410,844	S *	6/1999	Hurst	D9/438	2002/0050493	A1 *	5/2002	Ball et al.	220/359.2
5,934,497	A *	8/1999	Chang et al.	220/269	2002/0062922	A1 *	5/2002	John	156/292
5,967,363	A *	10/1999	Allen	220/806	2002/0158071	A1 *	10/2002	Chasteen et al.	220/269
5,971,195	A *	10/1999	Reidinger et al.	220/521	2003/0102313	A1 *	6/2003	Weber	220/254.4
5,996,832	A *	12/1999	Nieuwoudt	220/257.2	2004/0020934	A1 *	2/2004	Olsen	220/711
6,053,349	A *	4/2000	Griggs et al.	220/269	2004/0064983	A1 *	4/2004	Joseph	40/324
6,065,634	A *	5/2000	Brifcani et al.	220/619	2004/0108237	A1 *	6/2004	McClintock	206/459.1
6,073,797	A *	6/2000	Barous	220/716	2004/0206764	A1 *	10/2004	Gardiner	220/733
6,089,072	A *	7/2000	Fields	72/379.4	2004/0256386	A1 *	12/2004	LaFortune	220/254.1
6,202,881	B1 *	3/2001	Chiang	220/269	2005/0008299	A1 *	1/2005	Ohe et al.	385/53
6,241,114	B1 *	6/2001	Savino et al.	220/257.1	2005/0035011	A1 *	2/2005	McRobbie	206/217
6,290,084	B1 *	9/2001	Louie	220/254.4	2005/0035018	A1 *	2/2005	McRobbie	206/459.5
6,296,137	B1 *	10/2001	Bjørnsen	220/257.2	2005/0218013	A1 *	10/2005	Tabeshnekoo	206/145
6,321,927	B2 *	11/2001	Cavella	220/359.2	2006/0070994	A1 *	4/2006	Tiikkainen	220/254.4
6,338,418	B1 *	1/2002	Derose	220/257.2	2006/0151501	A1 *	7/2006	Chang et al.	220/257.2
6,390,749	B2 *	5/2002	Song	413/66	2007/0075089	A1 *	4/2007	Stein	220/703
6,425,493	B1 *	7/2002	Gardiner	220/733	2007/0187410	A1 *	8/2007	Legorreta et al.	220/375
6,450,358	B1 *	9/2002	Berro	220/258.2	2008/0006630	A1 *	1/2008	Messina	220/257.2
6,460,723	B2 *	10/2002	Nguyen et al.	220/619	2008/0050207	A1 *	2/2008	Turner et al.	413/8
D471,453	S *	3/2003	Stodd	D9/434	2008/0217347	A1 *	9/2008	Markaj	220/713
6,575,324	B1 *	6/2003	Hamer	220/258.5	2008/0230544	A1 *	9/2008	Kim	220/254.7
6,626,314	B1 *	9/2003	McHenry et al.	220/254.2	2008/0257900	A1 *	10/2008	Turner et al.	220/733
D480,304	S *	10/2003	Stodd	D9/434	2010/0243663	A1 *	9/2010	Jentzsch et al.	220/619
6,637,616	B2 *	10/2003	Couto	220/717	2010/0332420	A1 *	12/2010	Groening	705/500
6,719,166	B2 *	4/2004	Ceolin et al.	220/783	2011/0138742	A1 *	6/2011	McLean	53/329.2
6,729,495	B2 *	5/2004	Gardiner	220/733	2012/0138620	A1 *	6/2012	Chapin	220/718
6,817,819	B2 *	11/2004	Olson et al.	413/12						

* cited by examiner

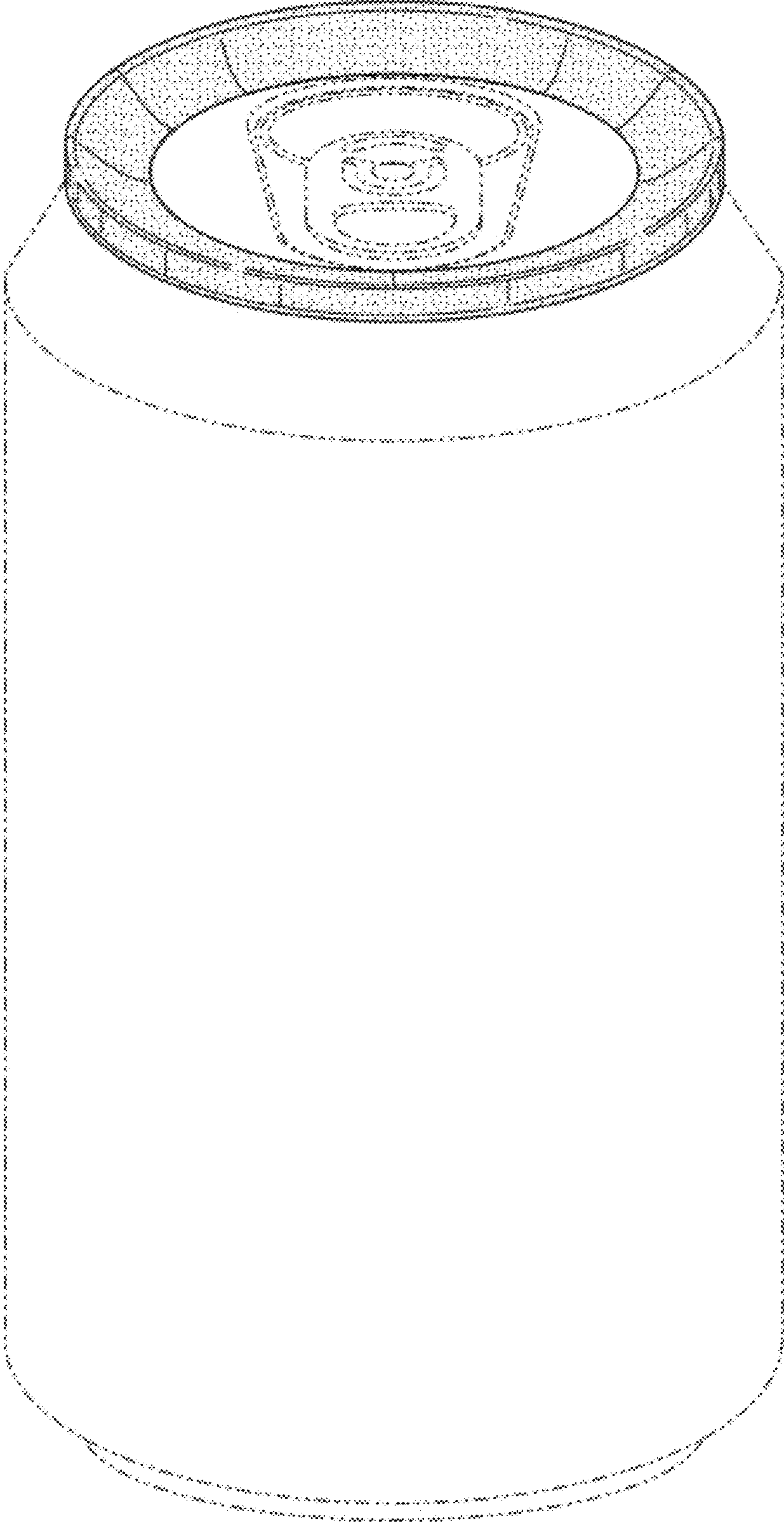


FIG. 1

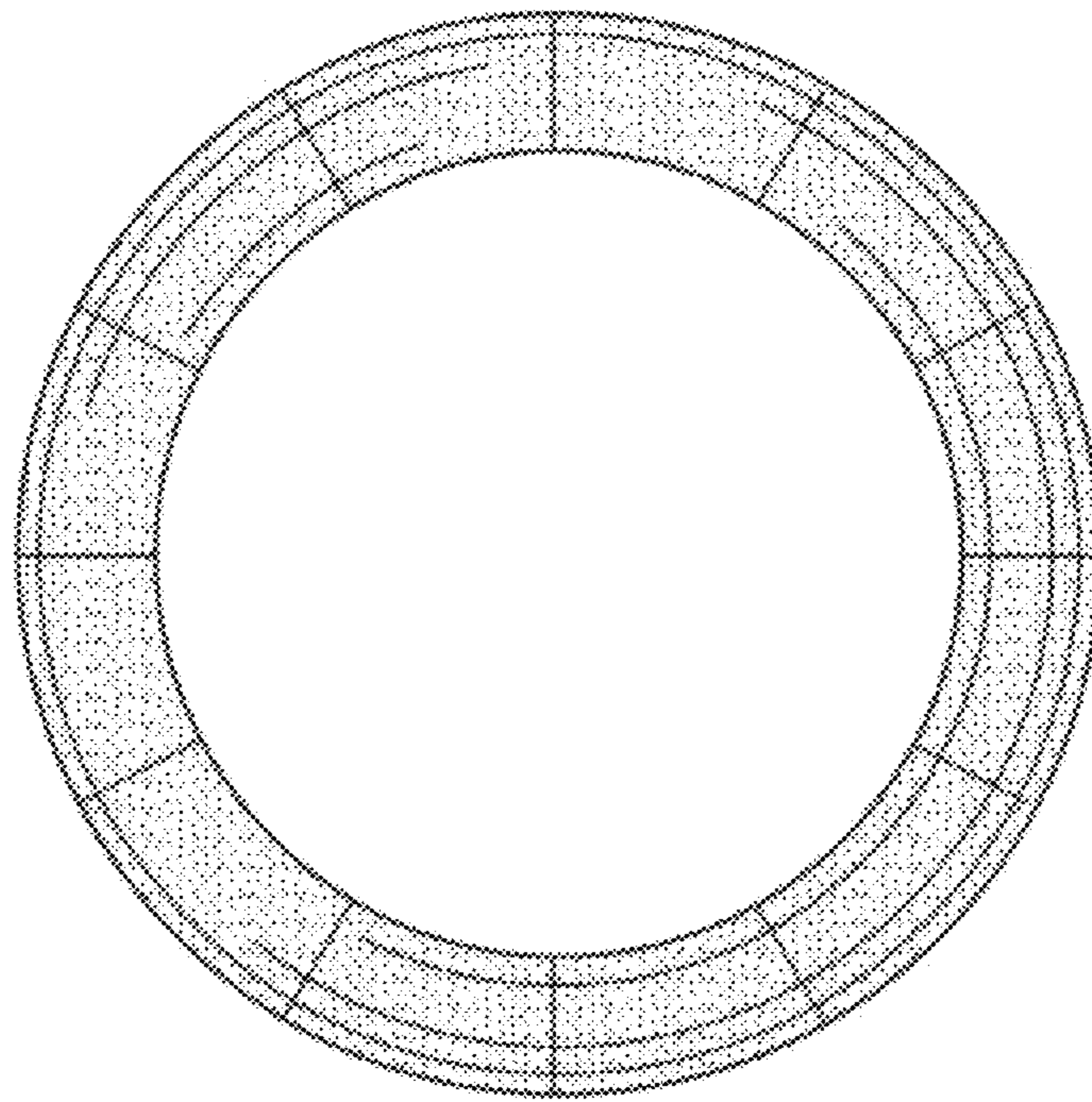


FIG. 2

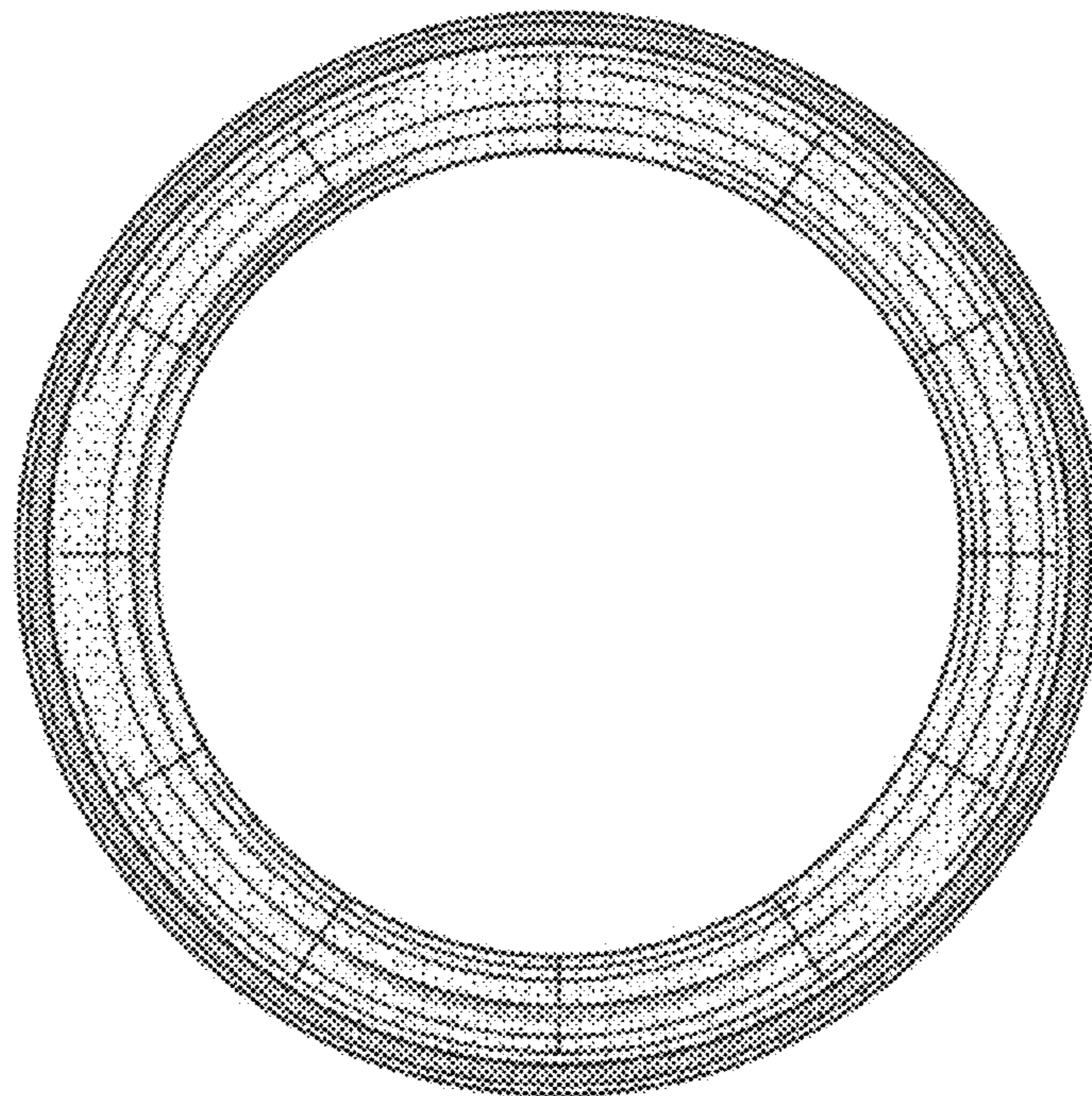


FIG. 3

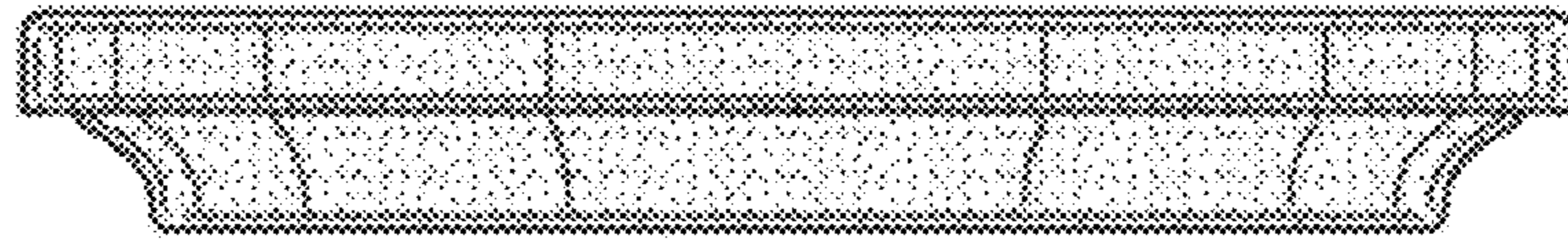


FIG. 4

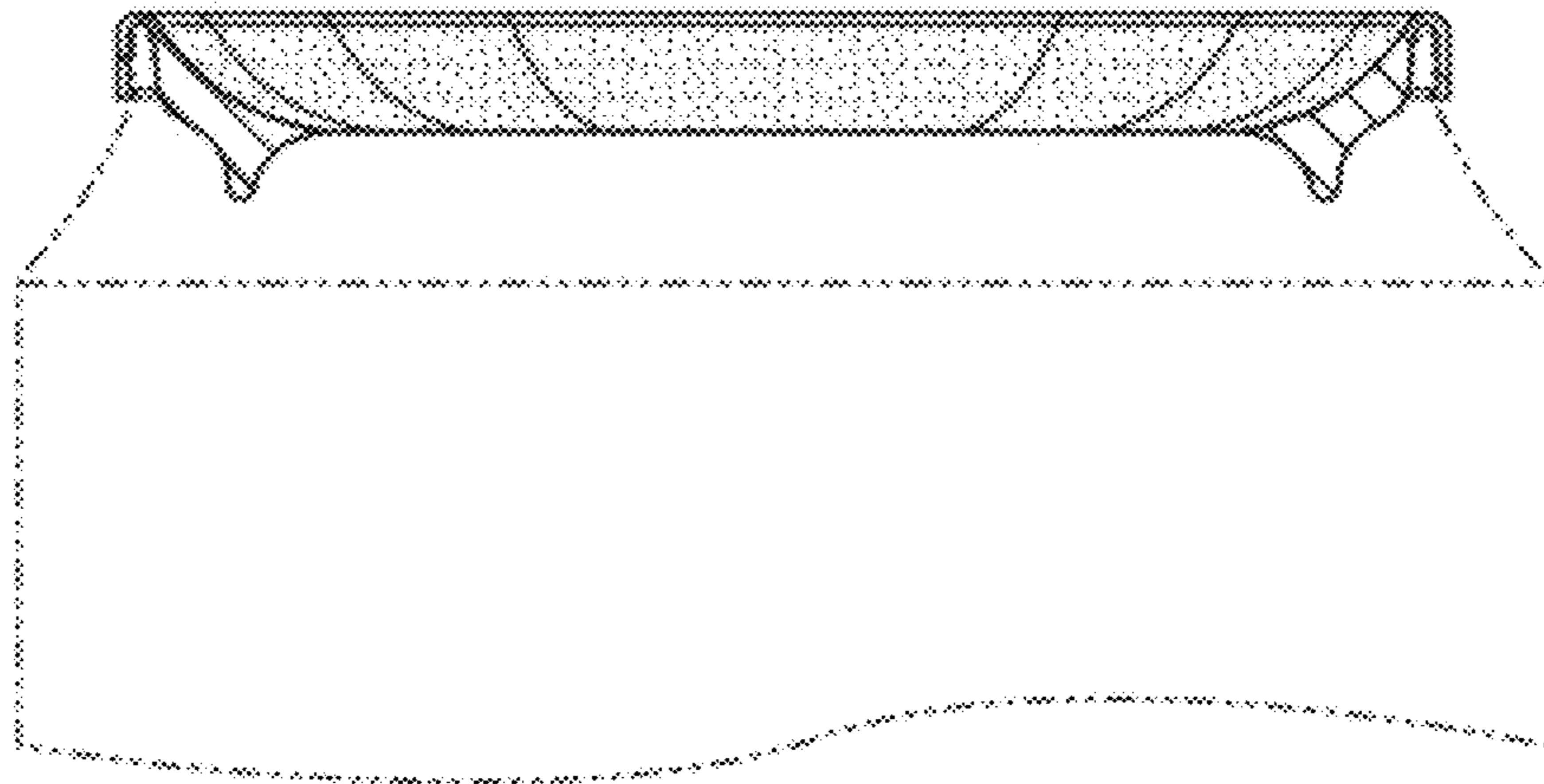


FIG. 5

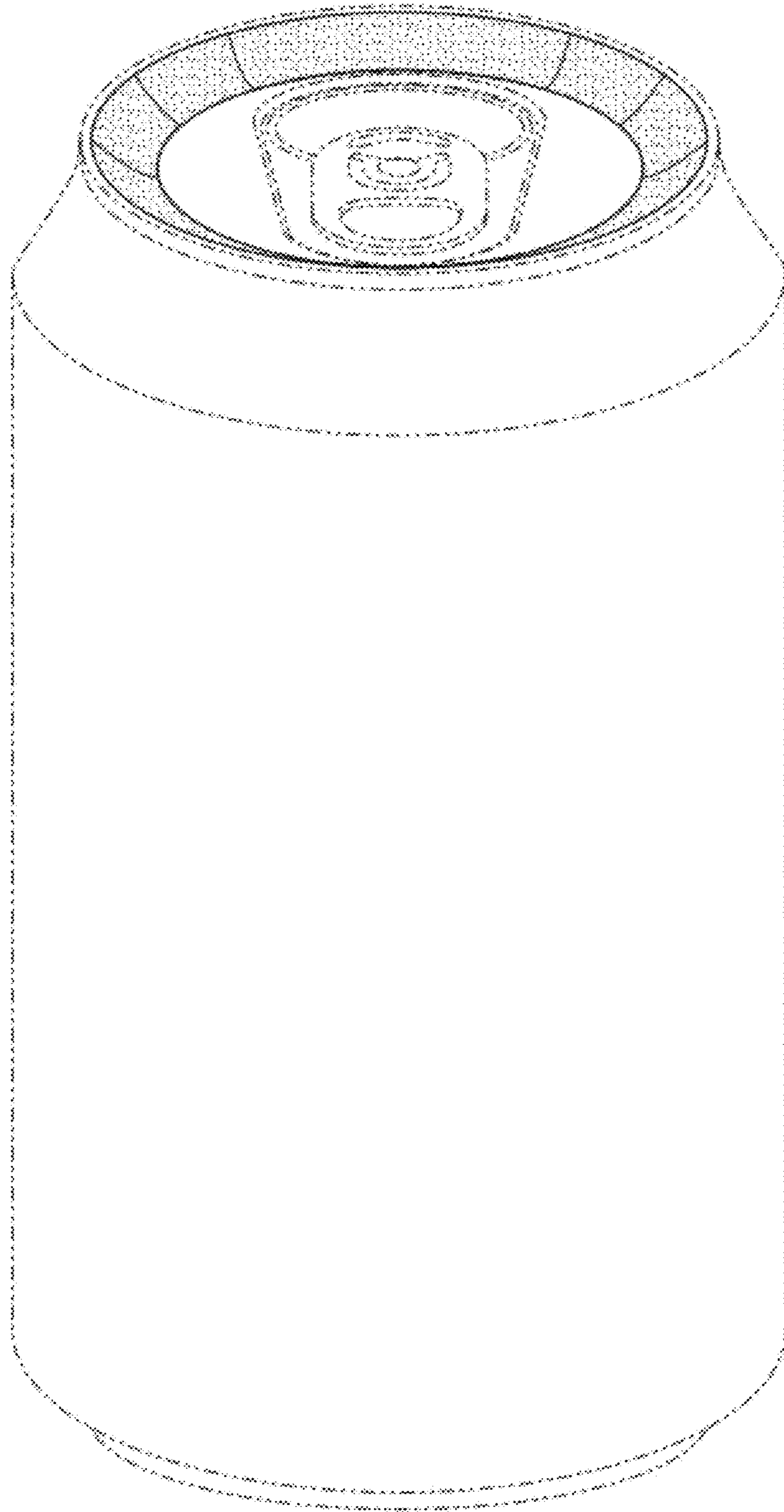


FIG. 6

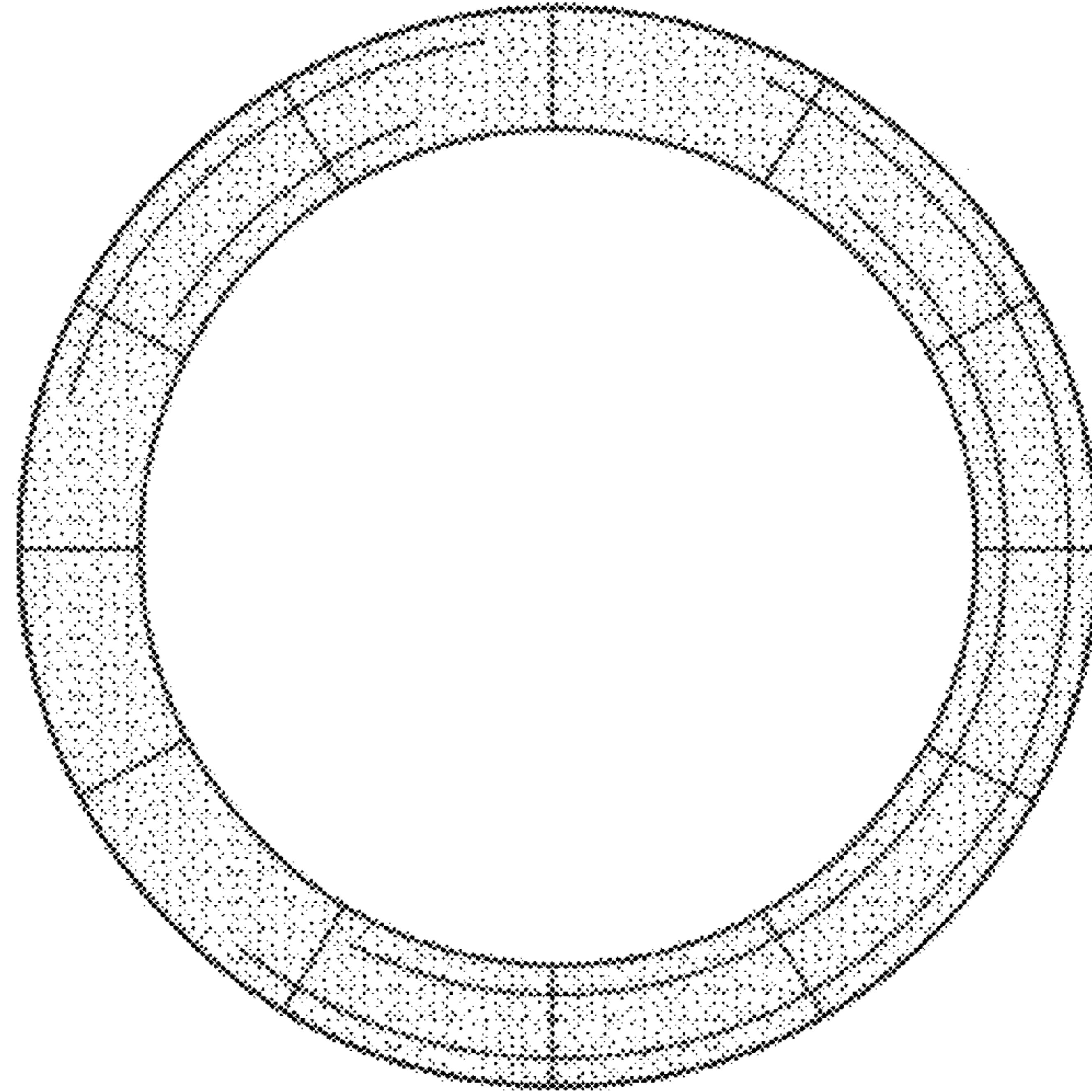


FIG. 7

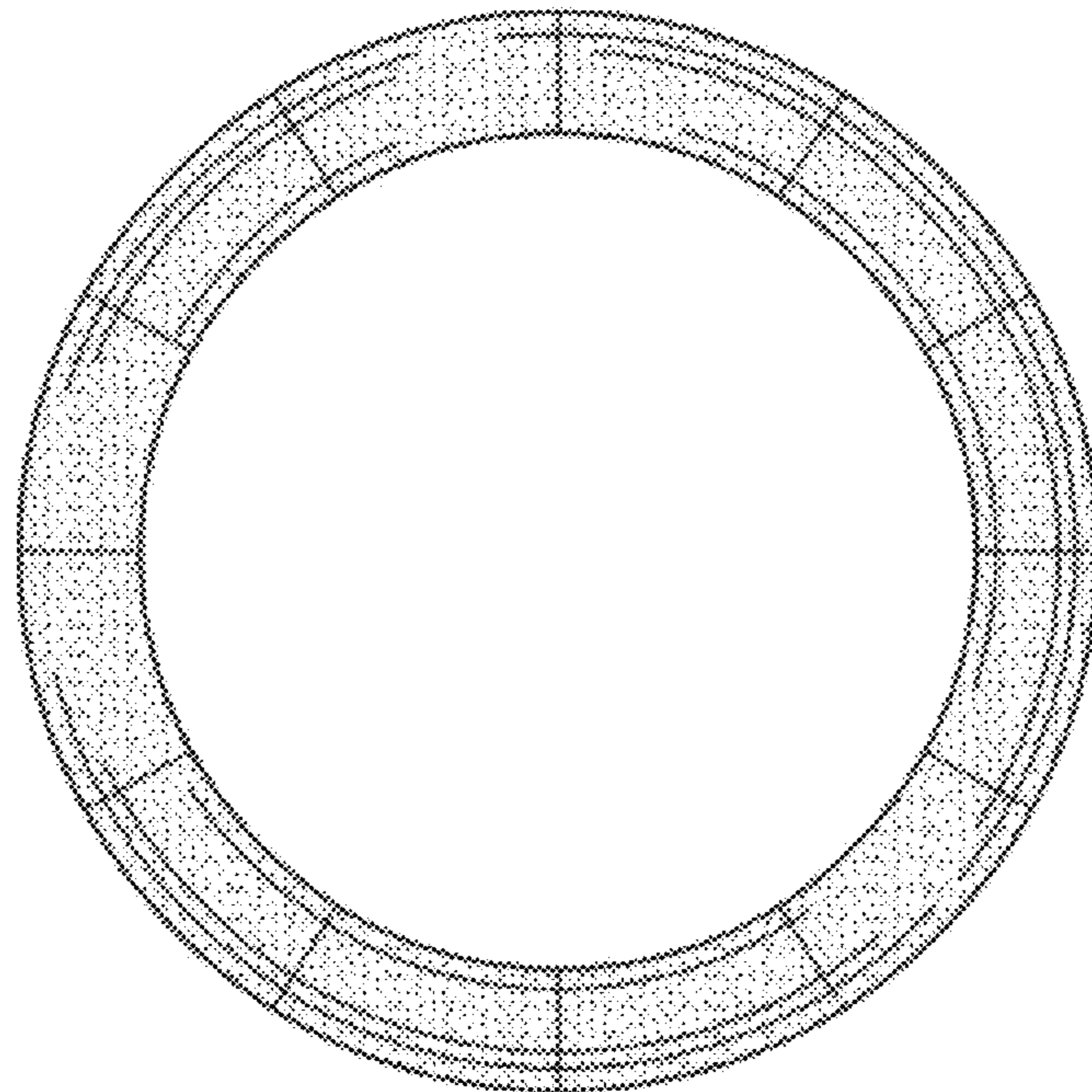


FIG. 8



FIG. 9

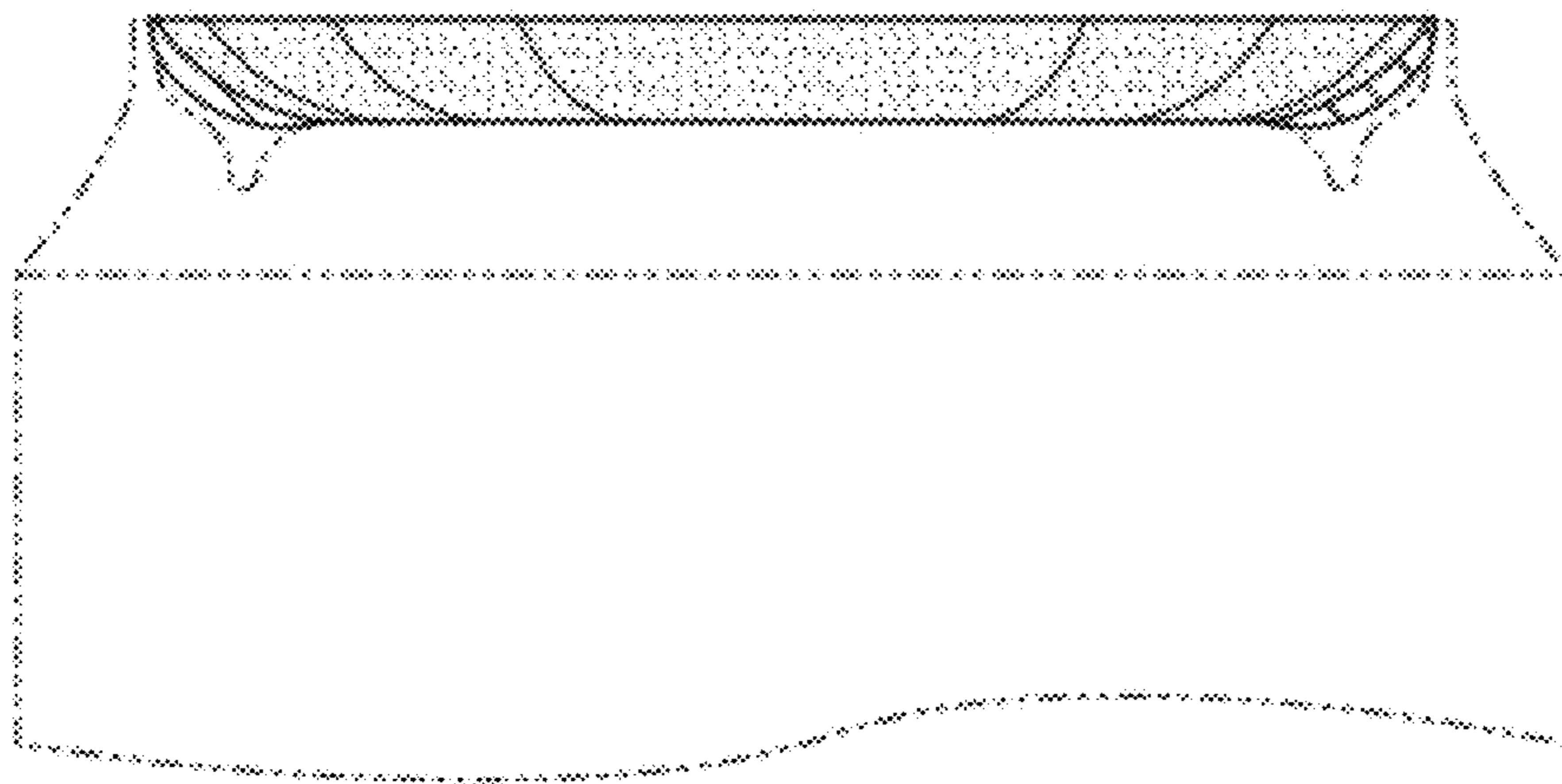


FIG. 10