



US00D672229S

(12) **United States Design Patent**
Reid

(10) **Patent No.:** **US D672,229 S**

(45) **Date of Patent:** **** Dec. 11, 2012**

(54) **LADDER CLAMP**

(76) **Inventor:** **Lawrance R. Reid**, Sarasota, FL (US)

(**) **Term:** **14 Years**

(21) **Appl. No.:** **29/396,061**

(22) **Filed:** **Jun. 24, 2011**

(51) **LOC (9) Cl.** **08-08**

(52) **U.S. Cl.** **D8/396**

(58) **Field of Classification Search** D8/354,
D8/356, 371, 394-396; D19/65, 86; D24/128;
248/74.2, 215, 227.1, 49, 300, 301, 316.7,
248/51, 489; 24/570, 3.12; D3/203.2, 203.3;
D21/392

See application file for complete search history.

(56) **References Cited**

U.S. PATENT DOCUMENTS

3,966,240	A *	6/1976	Enomoto	285/367
D376,974	S *	12/1996	Chen	D8/396
D411,440	S *	6/1999	Stahel	D8/396
6,672,631	B1 *	1/2004	Weinhold	285/409
6,908,123	B2 *	6/2005	Le	285/402
D553,971	S *	10/2007	Krueger	D8/396
7,290,805	B2 *	11/2007	Wu	285/365
D577,423	S *	9/2008	Dole	D23/265
D580,262	S *	11/2008	Eason et al.	D8/396
D584,604	S *	1/2009	Baldwin	D8/396
D625,582	S *	10/2010	Cleghorn et al.	D8/356
D632,166	S *	2/2011	Spadotto	D8/396
7,883,121	B2 *	2/2011	Henry	285/410

D661,981	S *	6/2012	Melino et al.	D8/396
8,196,971	B2 *	6/2012	Hansen	285/367
2002/0109355	A1 *	8/2002	Elliott	285/410
2010/0127472	A1 *	5/2010	Winefordner et al.	280/276

* cited by examiner

Primary Examiner — John Windmuller

(74) *Attorney, Agent, or Firm* — Charles J. Prescott

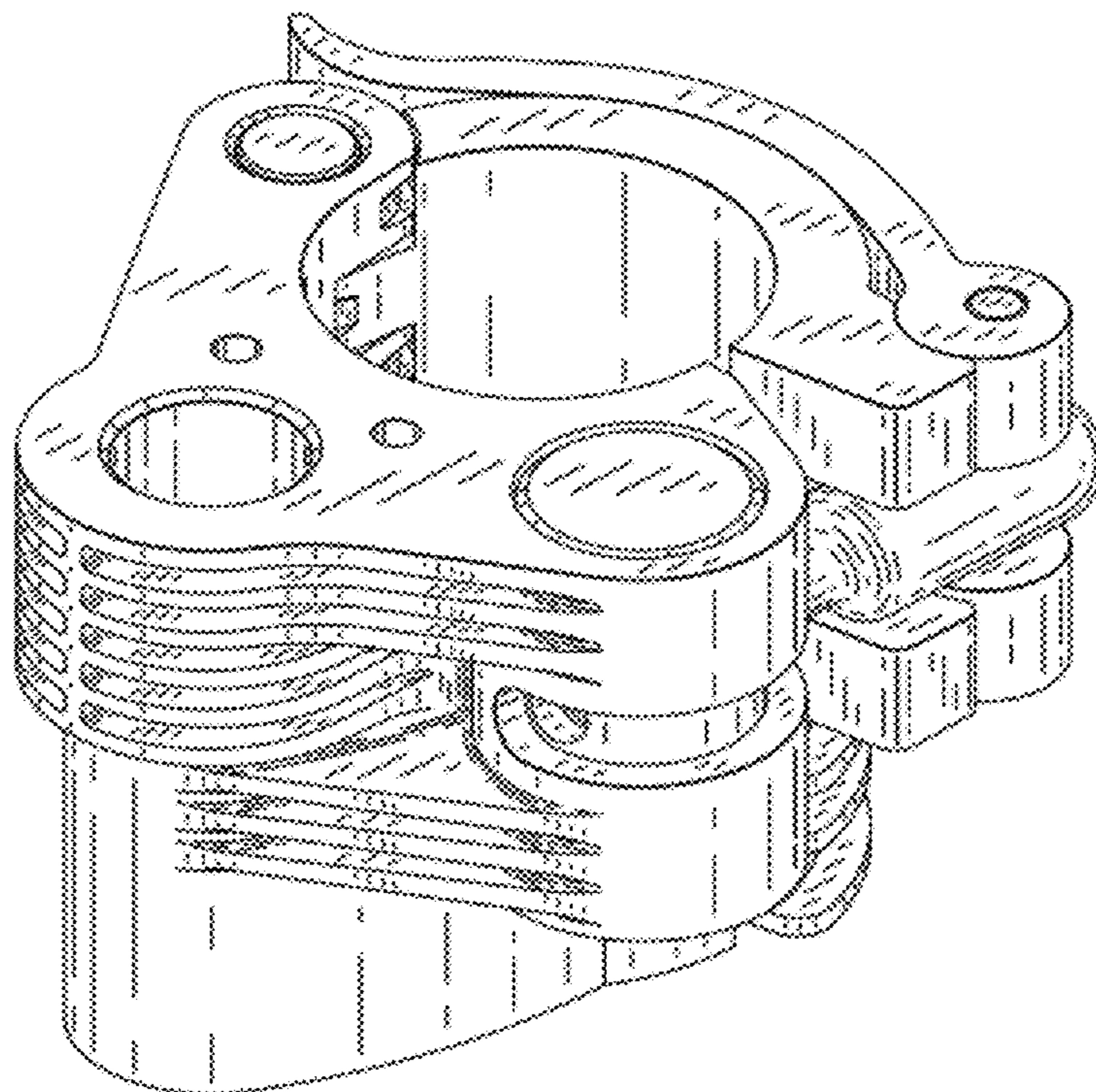
(57) **CLAIM**

The ornamental design for a ladder clamp, as shown and described.

DESCRIPTION

FIG. 1 is a perspective view of a ladder clamp showing my new design;
 FIG. 2 is another perspective view thereof;
 FIG. 3 is a third perspective view thereof;
 FIG. 4 is yet another perspective view thereof;
 FIG. 5 is a left side elevation view thereof;
 FIG. 6 is a right side elevation view thereof;
 FIG. 7 is a rear elevation view thereof;
 FIG. 8 is a front elevation view thereof;
 FIG. 9 is a top plan view thereof;
 FIG. 10 is a bottom plan view thereof; and,
 FIG. 11 is another perspective view thereof in an in-use environment attached to a swimming pool hand rail and supporting a telescopic swimming and exercise device.
 The broken lines in FIG. 11 depict environment only and form no part of the claimed design.

1 Claim, 8 Drawing Sheets



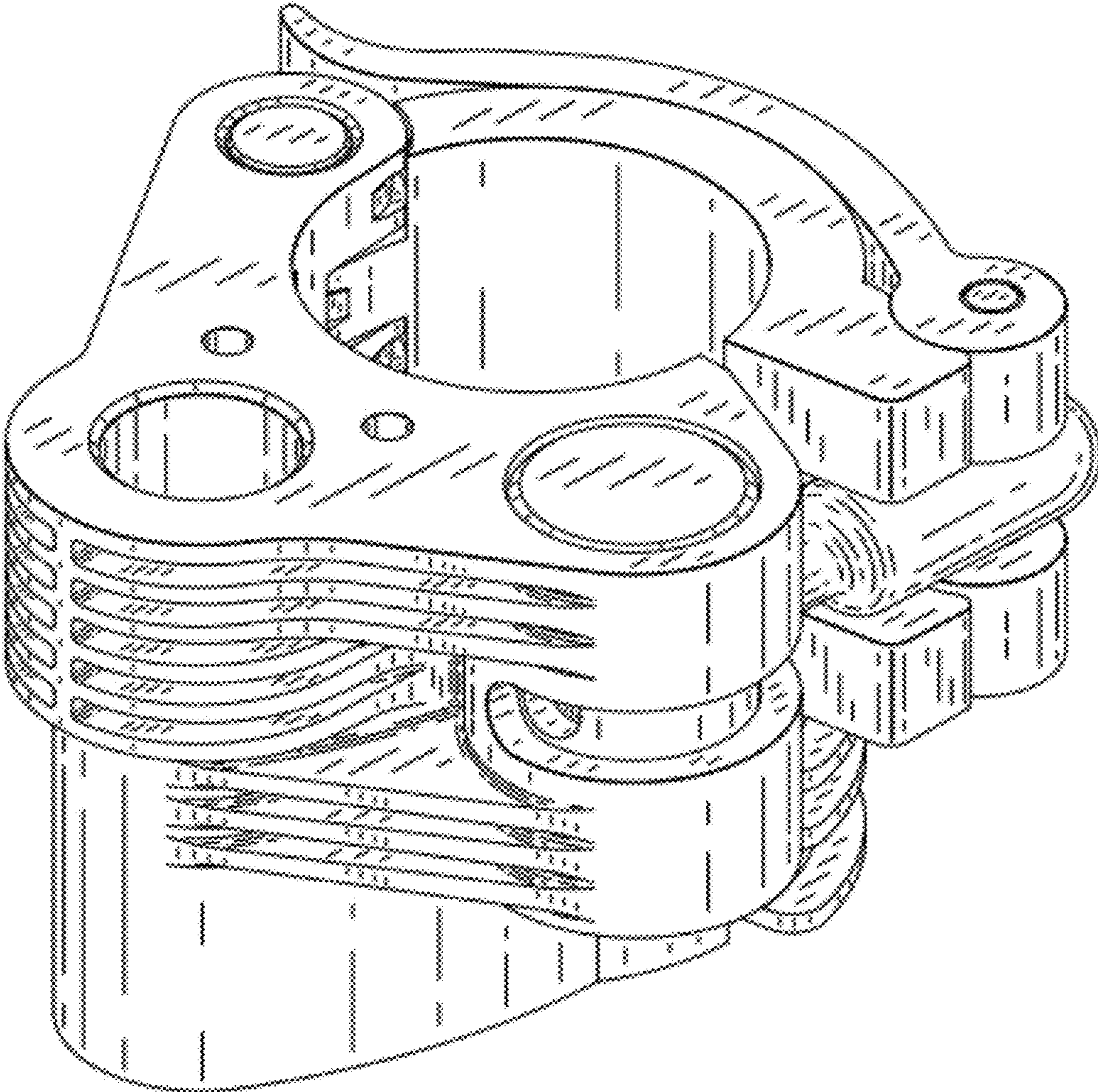


FIG. 1

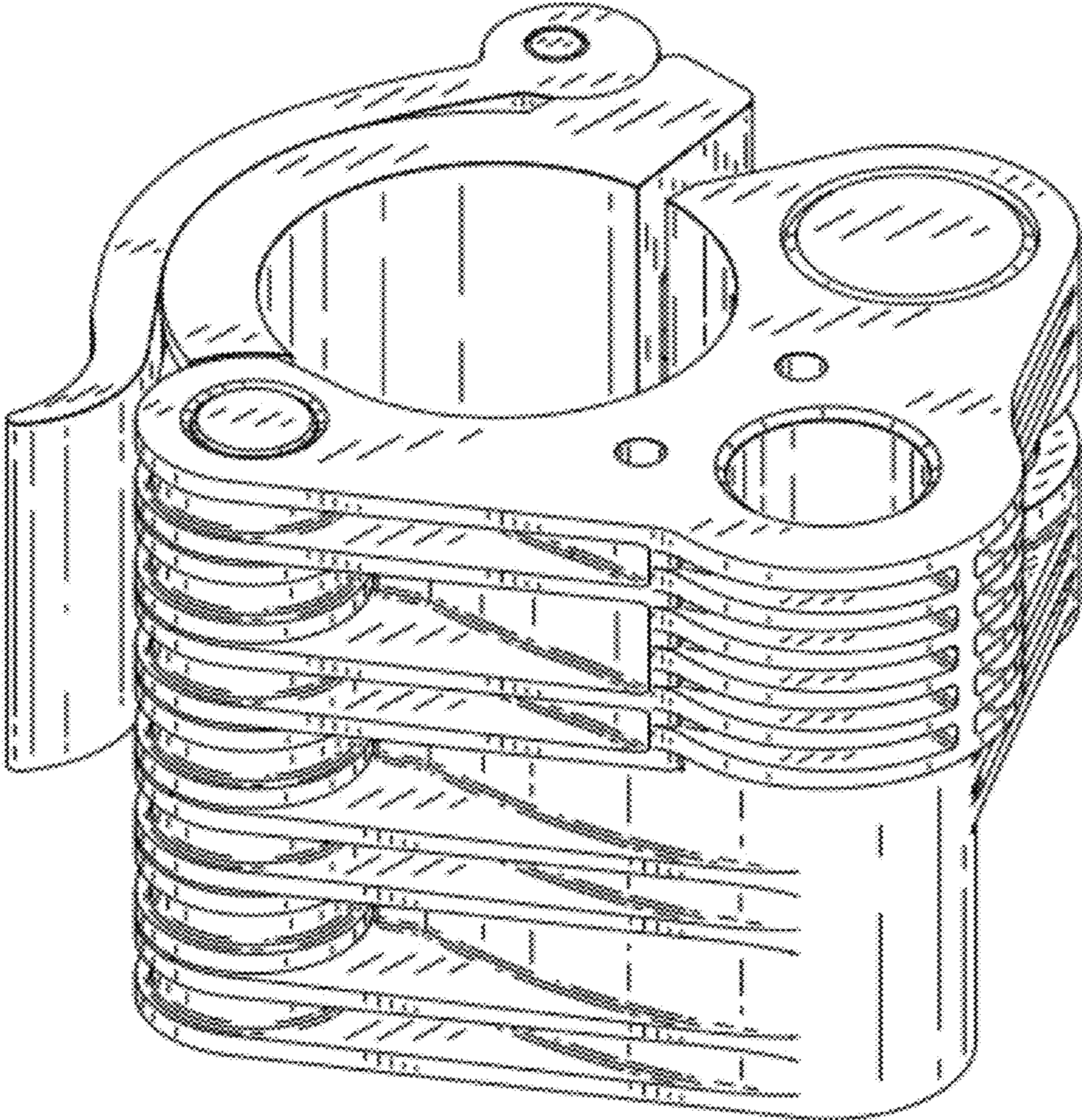


FIG. 2

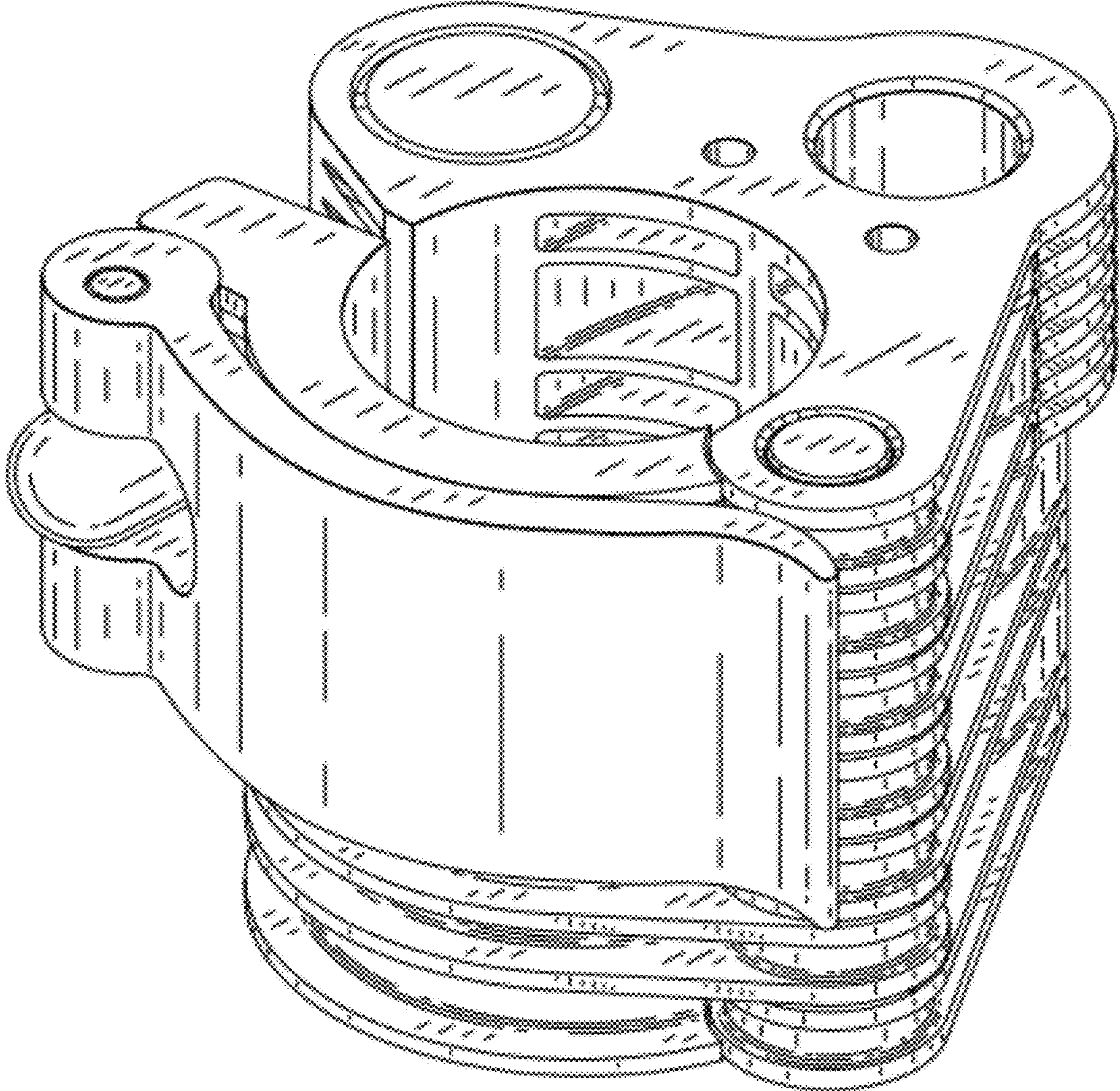


FIG. 3

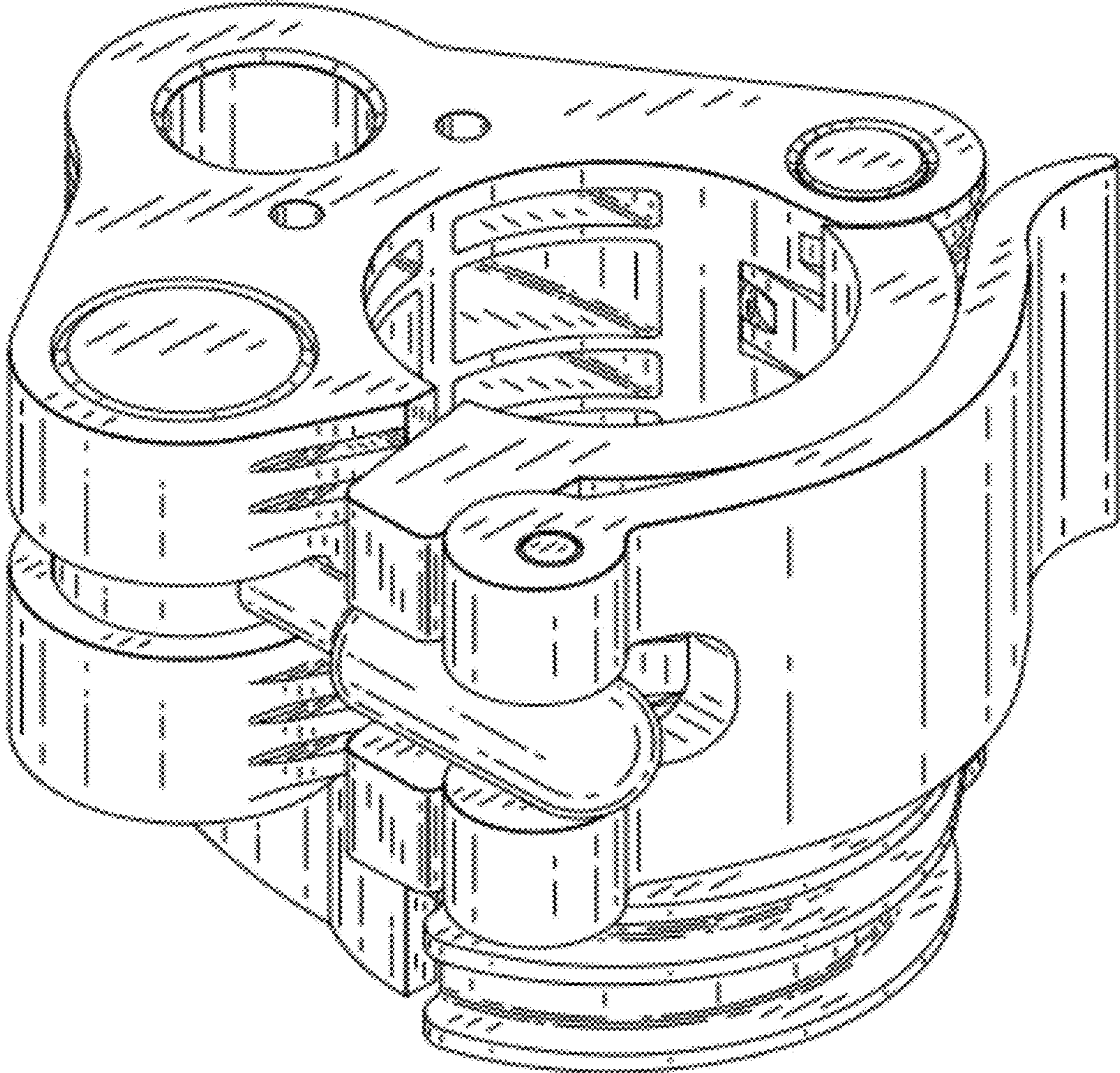


FIG. 4

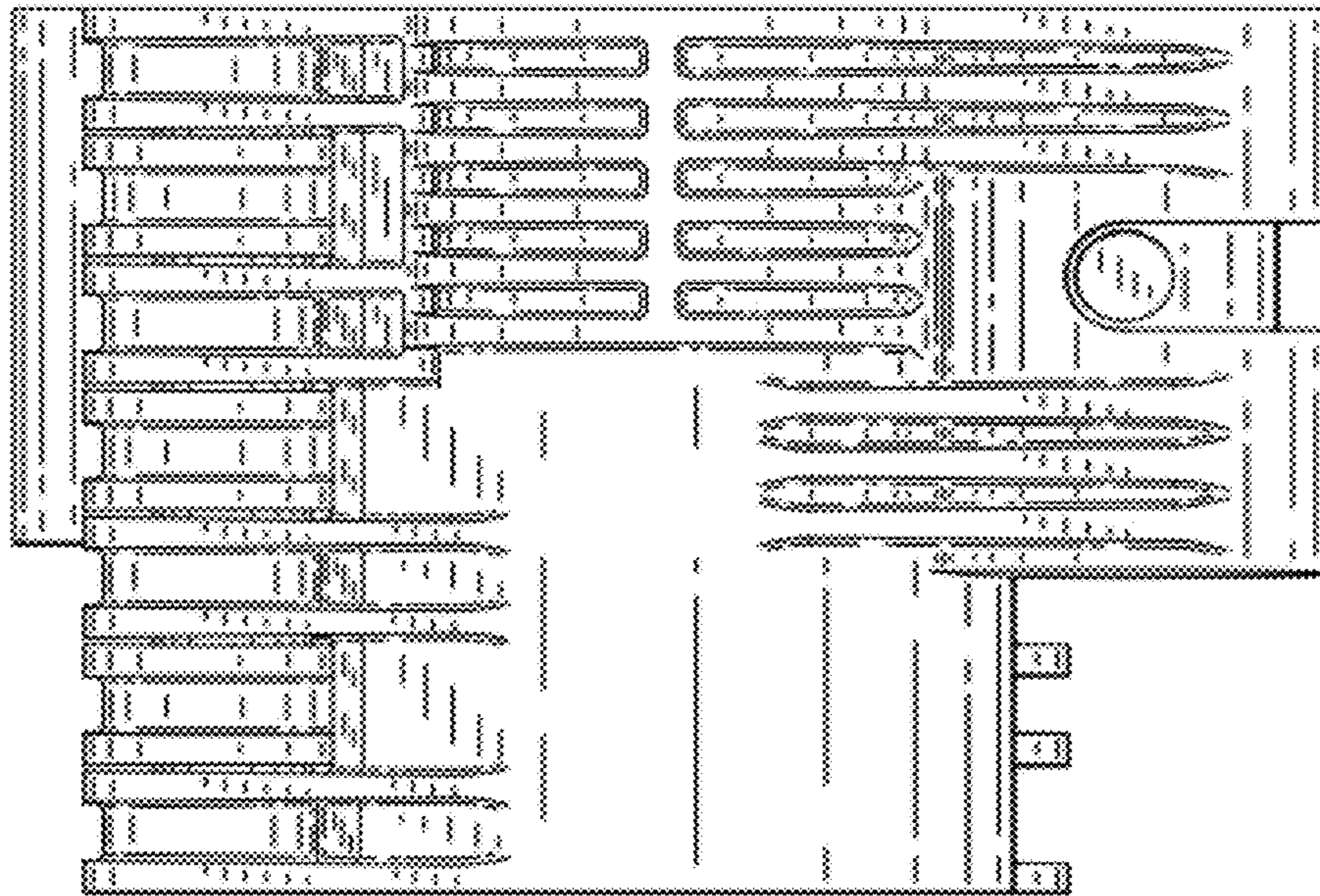


FIG. 5

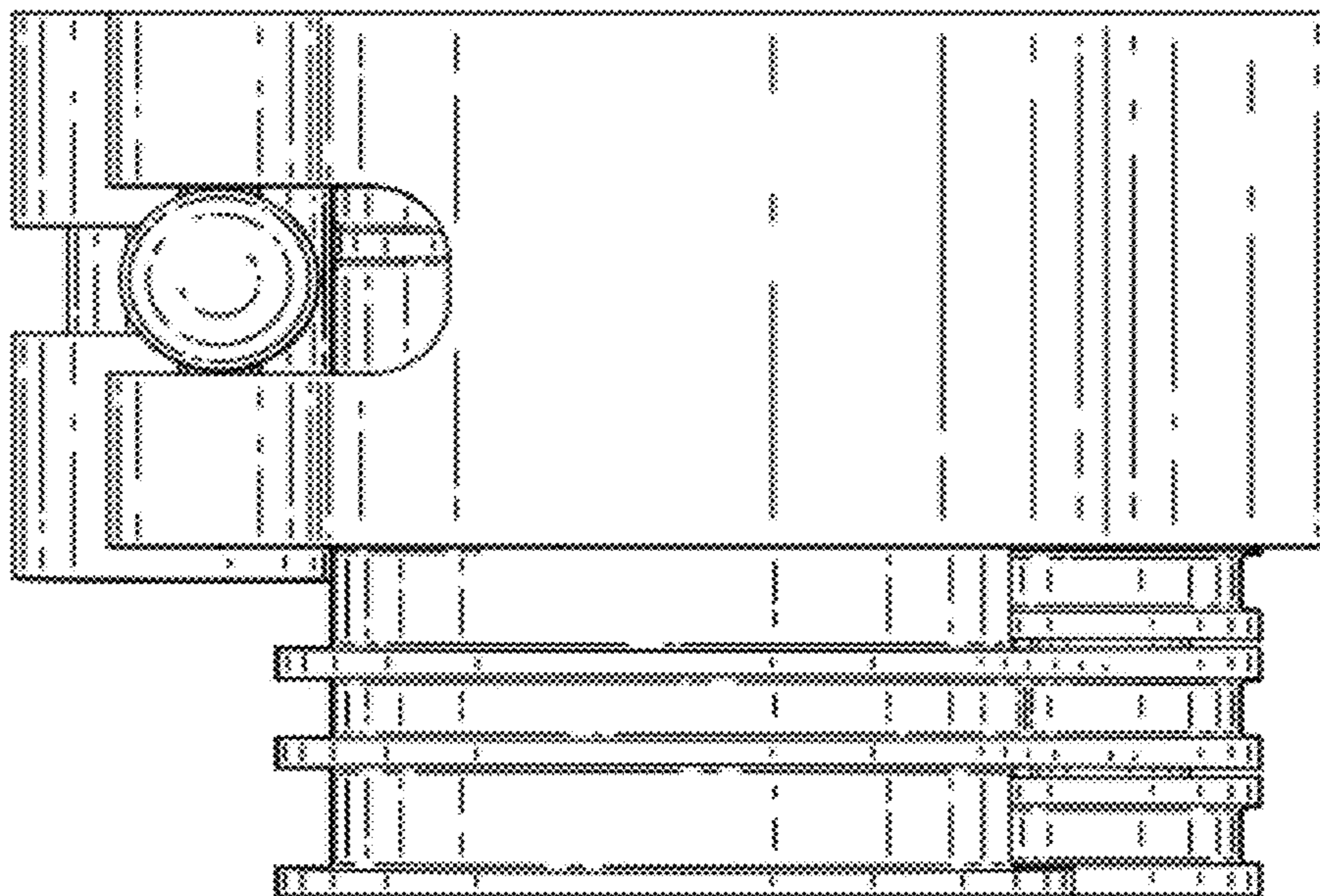


FIG. 6

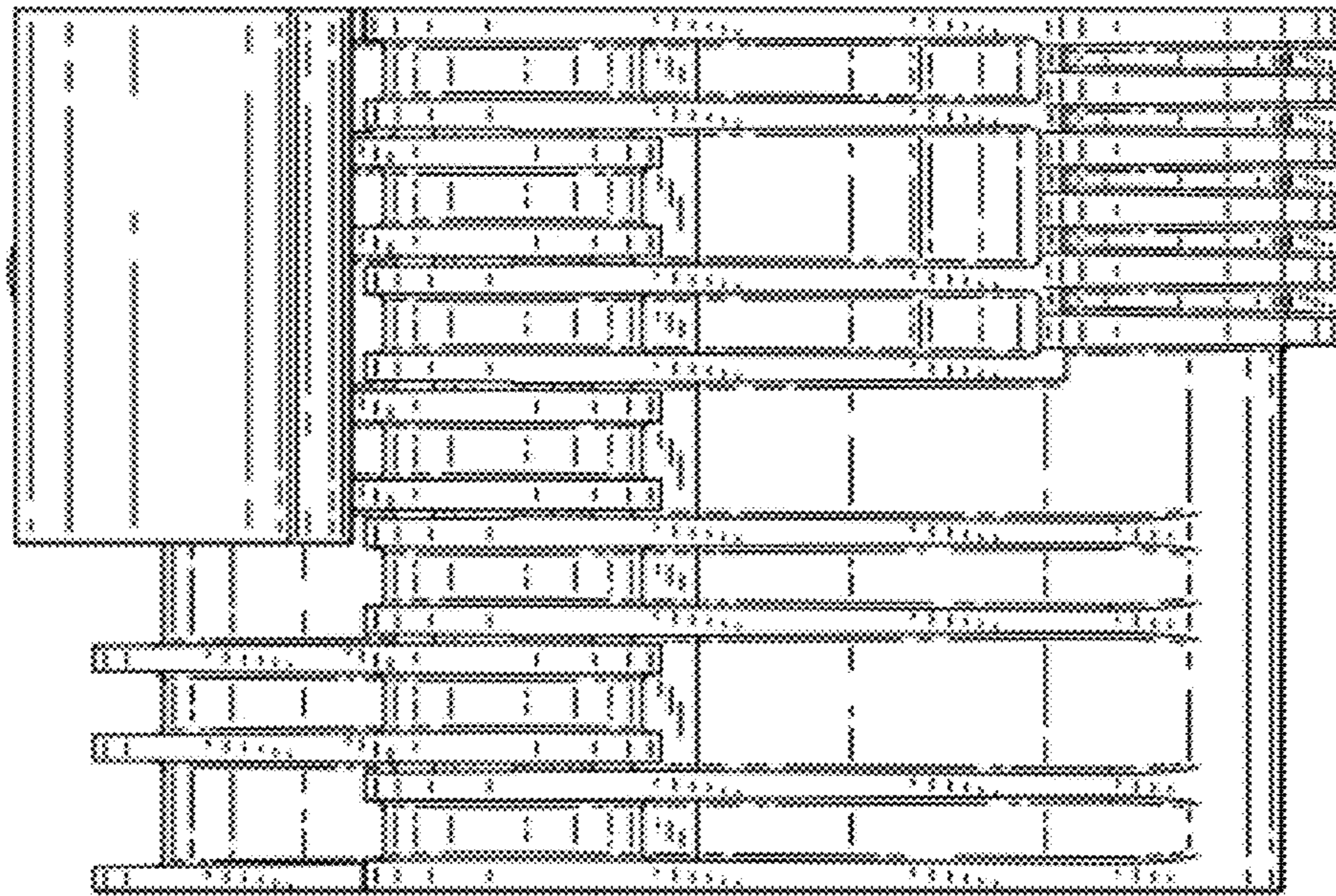


FIG. 7



FIG. 8

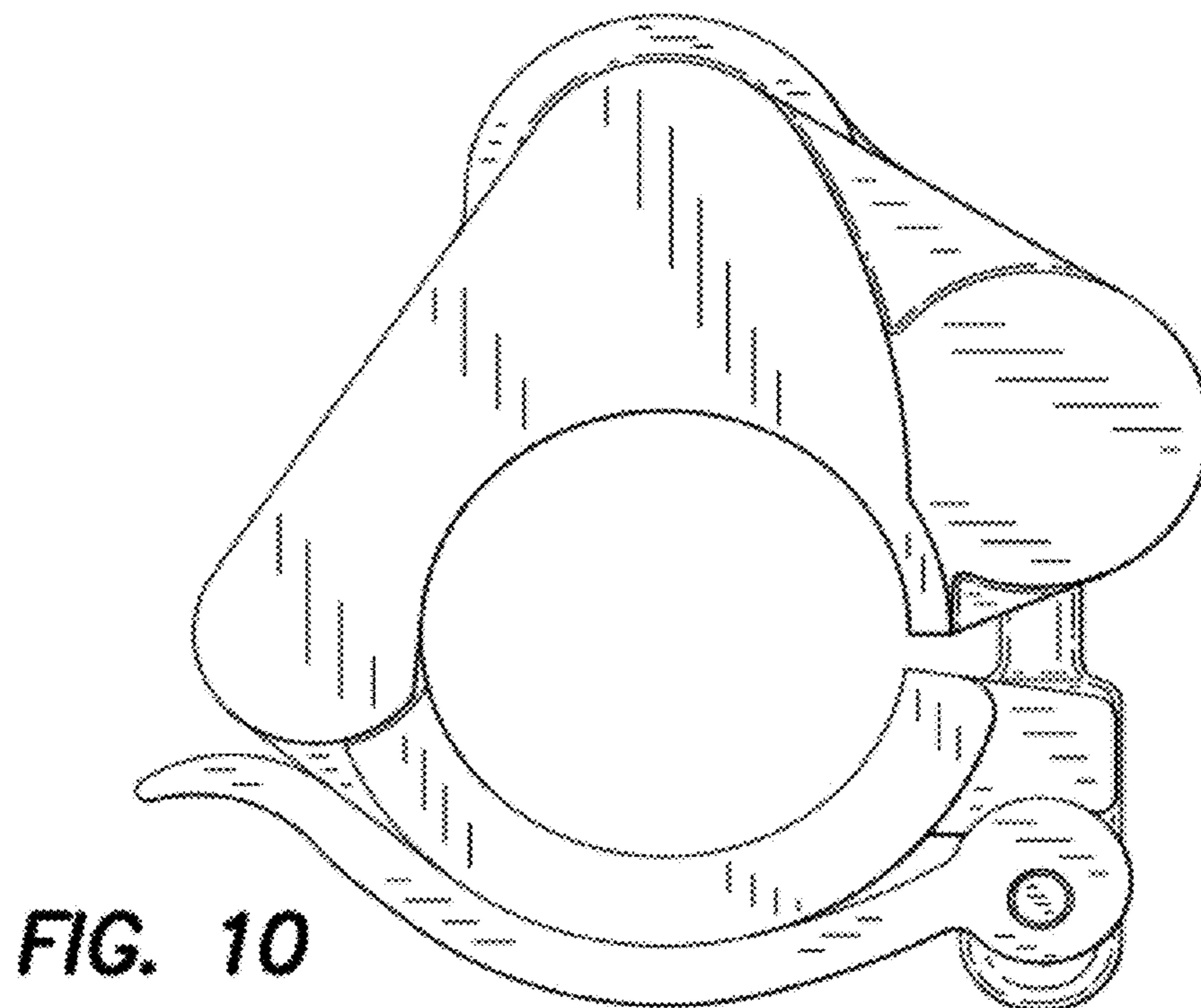
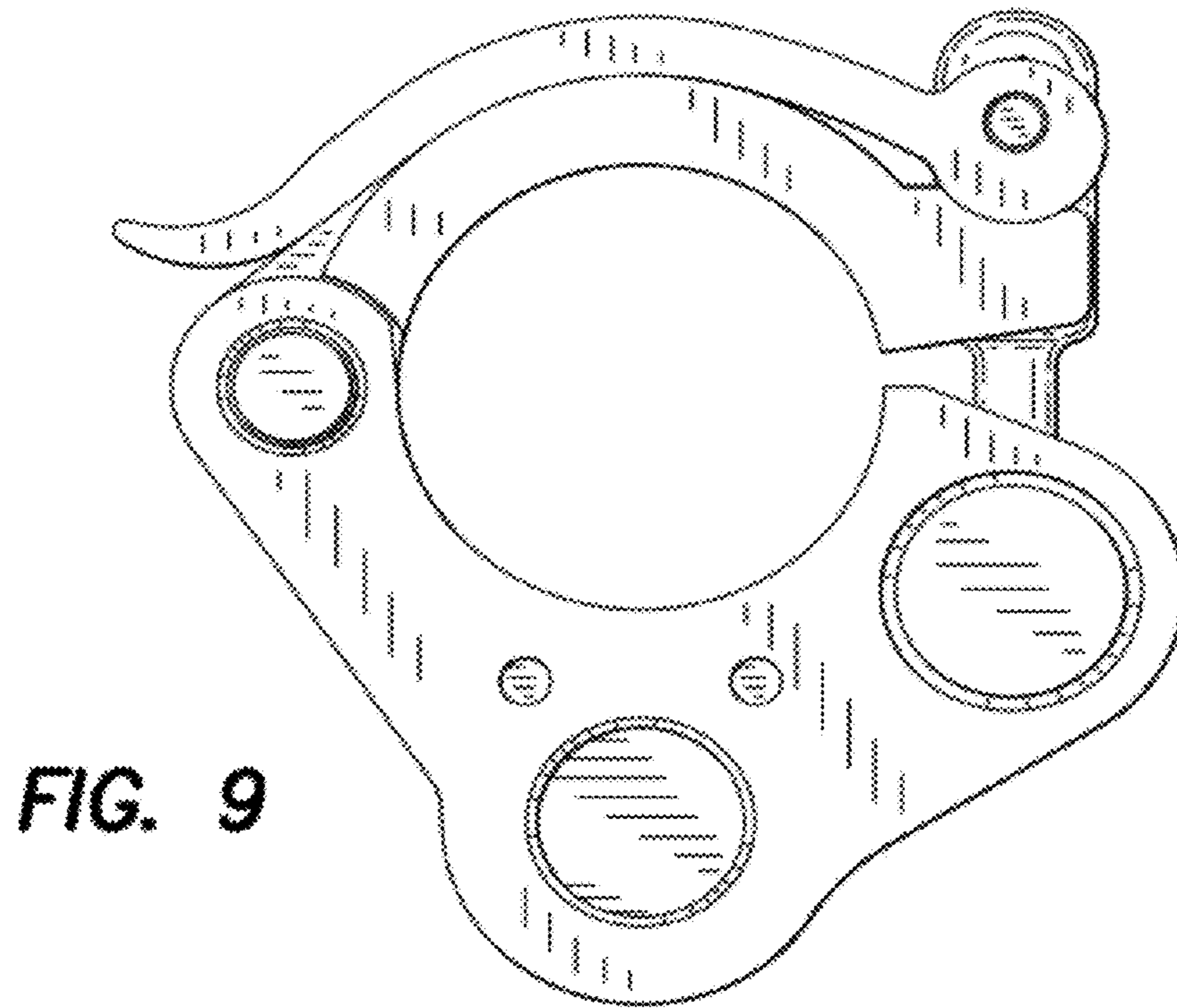


FIG. 11

