



US00D672228S

(12) **United States Design Patent**
Hendricks

(10) **Patent No.:** **US D672,228 S**

(45) **Date of Patent:** **** *Dec. 11, 2012**

(54) **FENCE CLIP**

(76) Inventor: **Richard L. Hendricks**, Atkinson, NE
(US)

(*) Notice: This patent is subject to a terminal disclaimer.

(**) Term: **14 Years**

(21) Appl. No.: **29/431,675**

(22) Filed: **Sep. 10, 2012**

(51) **LOC (9) Cl.** **08-08**

(52) **U.S. Cl.** **D8/394; D8/396**

(58) **Field of Classification Search** D8/354,
D8/356, 371, 394-396, 370; D19/65, 86;
D24/128; 248/74.2, 215, 227.1, 49, 300,
248/301, 316.7, 51, 489, 302; 24/570, 3.12,
24/DIG. 9, 546; D3/203.2, 203.3; D21/392;
D11/209; 256/47, 65, 65.01, 71
See application file for complete search history.

(56) **References Cited**

U.S. PATENT DOCUMENTS

310,114	A *	12/1884	Atwood	248/496
490,224	A *	1/1893	Campbell	294/5.5
494,414	A *	3/1893	Crump	24/533
D27,608	S *	8/1897	Clark	D8/367
D28,889	S *	6/1898	Forbes	D8/382
619,915	A *	2/1899	Wentworth	248/65
D33,777	S *	12/1900	Schmidt	D8/382
D34,560	S *	5/1901	De Long	D19/65
D46,621	S *	11/1914	Schade, Jr.	D8/395
1,528,111	A *	3/1925	Jensch	24/360
1,712,752	A *	5/1929	Dandliker	256/57
1,720,746	A *	7/1929	Povlsen et al.	248/65
1,979,674	A *	11/1934	Cowan	160/387
1,999,218	A *	4/1935	Tiryakian	248/304

2,310,842	A *	2/1943	Davitt et al.	24/369
2,636,704	A *	4/1953	Norberg	248/79
2,849,770	A *	9/1958	Klanchnik, Jr.	24/27
2,957,671	A *	10/1960	Messier	248/220.43
3,145,963	A *	8/1964	Best et al.	248/220.31
3,226,072	A *	12/1965	Johnson	248/220.43
3,310,271	A *	3/1967	King	248/220.43
3,488,025	A *	1/1970	Rowland	248/339
3,578,226	A *	5/1971	Good	294/137
4,029,281	A *	6/1977	Marshall	248/220.31
4,078,755	A *	3/1978	Erickson	248/220.31
4,174,552	A *	11/1979	Franklin	24/716
D260,234	S *	8/1981	Johnson, Jr.	D8/370
4,319,758	A *	3/1982	Nicholson	277/550
D280,596	S *	9/1985	Keeler	D8/382
4,750,700	A *	6/1988	Wade	248/220.43
4,809,894	A *	3/1989	Viio	224/248
D312,037	S *	11/1990	Carlson	D8/356

(Continued)

Primary Examiner — John Windmuller

(74) *Attorney, Agent, or Firm* — Advent; Ryan T. Grace

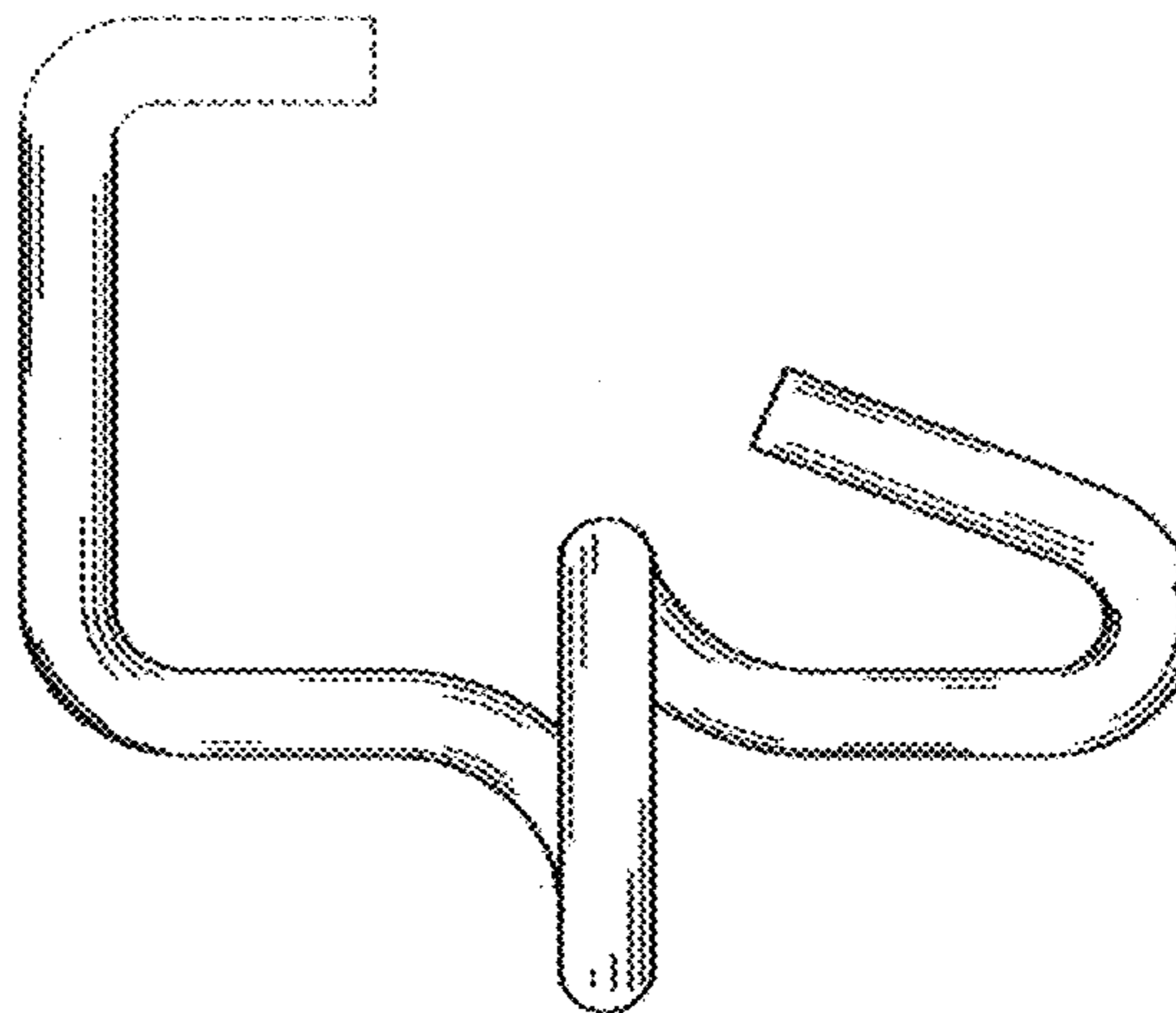
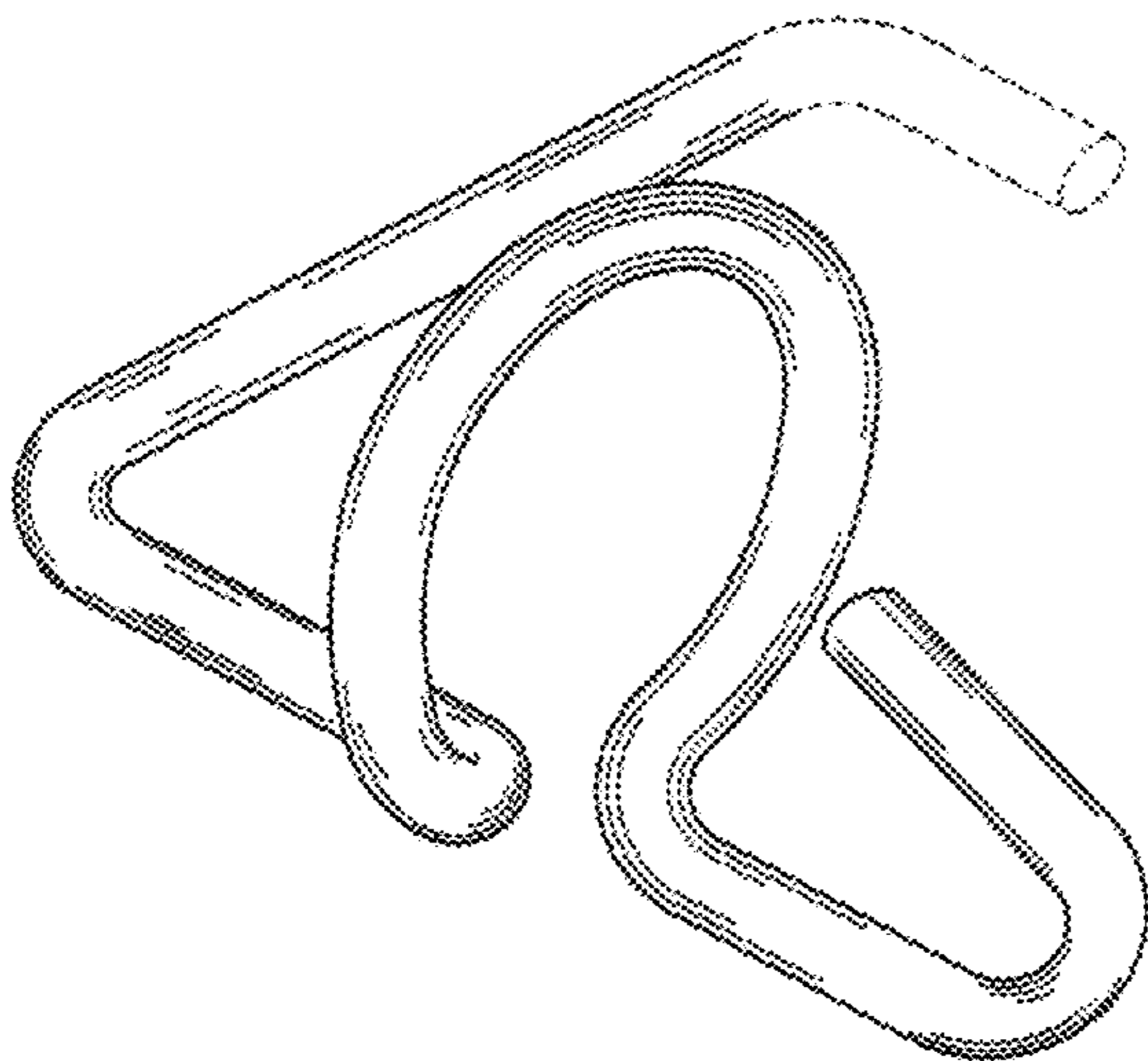
(57) **CLAIM**

The ornamental design for a fence clip, as shown and described.

DESCRIPTION

FIG. 1 is a perspective view of a fence clip.
FIG. 2 is a top plan view of the fence clip of FIG. 1.
FIG. 3 is a first side plan view of the fence clip of FIG. 1.
FIG. 4 is a second side plan view of the fence clip of FIG. 1.
FIG. 5 is a third side plan view of the fence clip of FIG. 1.
FIG. 6 is a fourth side plan view of the fence clip of FIG. 1;
and,
FIG. 7 is a bottom plan view of the fence clip of FIG. 1.
Portions of fence clip are shown in dashed lines and form no part of the claimed design.

1 Claim, 4 Drawing Sheets



US D672,228 S

Page 2

U.S. PATENT DOCUMENTS

4,979,712	A *	12/1990	Rios	248/215	D499,008	S *	11/2004	Chang	D8/370
5,104,082	A *	4/1992	Bayer	248/303	D499,956	S *	12/2004	Wall	D8/370
D347,679	S *	6/1994	Yetter et al.	D22/149	7,025,309	B2 *	4/2006	Goodwin et al.	248/74.4
D348,854	S *	7/1994	Salsgiver	D11/86	D552,980	S *	10/2007	Svedberg et al.	D8/395
D354,355	S *	1/1995	Hilgers	D24/180	D559,079	S *	1/2008	Berry et al.	D8/343
D355,112	S *	2/1995	Richeson	D8/367	7,322,482	B2 *	1/2008	Caradonna	211/74
5,490,650	A *	2/1996	Pendergrass	248/220.31	D566,538	S *	4/2008	Wrase et al.	D8/395
5,501,035	A *	3/1996	Downer et al.	47/47	D568,145	S *	5/2008	Handel	D8/370
5,662,446	A *	9/1997	Haan	411/514	D585,266	S *	1/2009	Meyers	D8/370
5,996,955	A *	12/1999	Chen	248/302	D599,646	S *	9/2009	Meyers	D8/370
D423,916	S *	5/2000	Kalat	D8/370	D600,102	S *	9/2009	Larkin	D8/370
6,135,693	A *	10/2000	Leitzke et al.	411/530	7,735,189	B2 *	6/2010	Richardson	16/87.2
D434,308	S *	11/2000	Kalat	D8/395	7,766,285	B2 *	8/2010	Cox et al.	248/74.2
D434,309	S *	11/2000	Kalat	D8/395	D629,291	S *	12/2010	Veilleux	D8/370
D438,782	S *	3/2001	Kalat	D8/395	D645,731	S *	9/2011	Williams	D8/370
D458,116	S *	6/2002	Roethler	D8/367	D651,066	S *	12/2011	Johnson, III	D8/354
D464,560	S *	10/2002	Kalat	D8/370	D659,519	S *	5/2012	Berkowitz	D8/367
D464,867	S *	10/2002	Samelson	D8/367	D661,574	S *	6/2012	Platt	D8/367
D464,869	S *	10/2002	Kalat	D8/370	2002/0000504	A1 *	1/2002	Bayne	248/302
6,631,539	B1 *	10/2003	Chang	24/599.4	2006/0016943	A1 *	1/2006	Thompson	248/175
6,659,414	B1 *	12/2003	Guilmette	248/303	2007/0261330	A1 *	11/2007	Liu	52/235
D487,561	S *	3/2004	Nguyen et al.	D8/370					

* cited by examiner

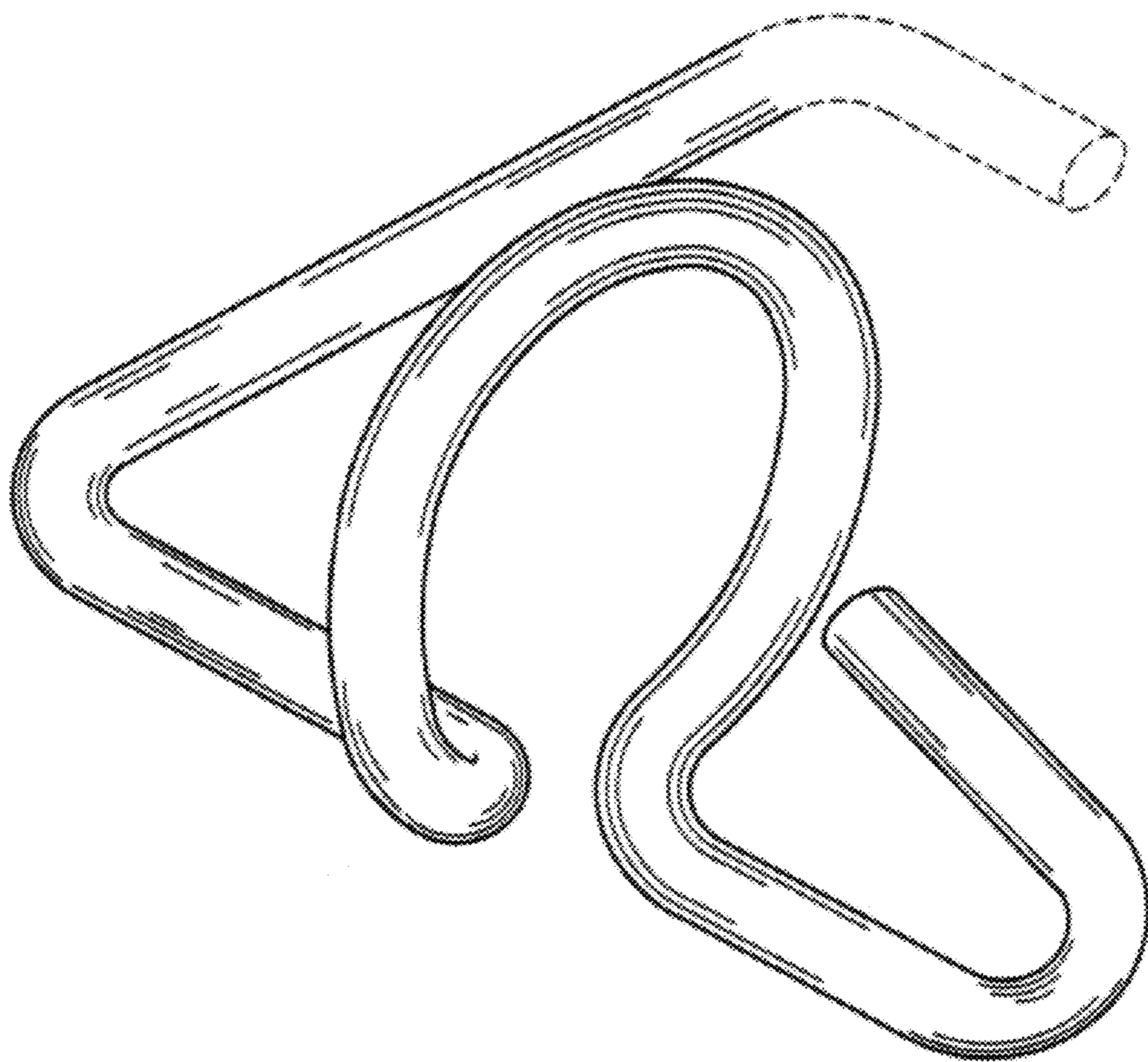


FIG. 1

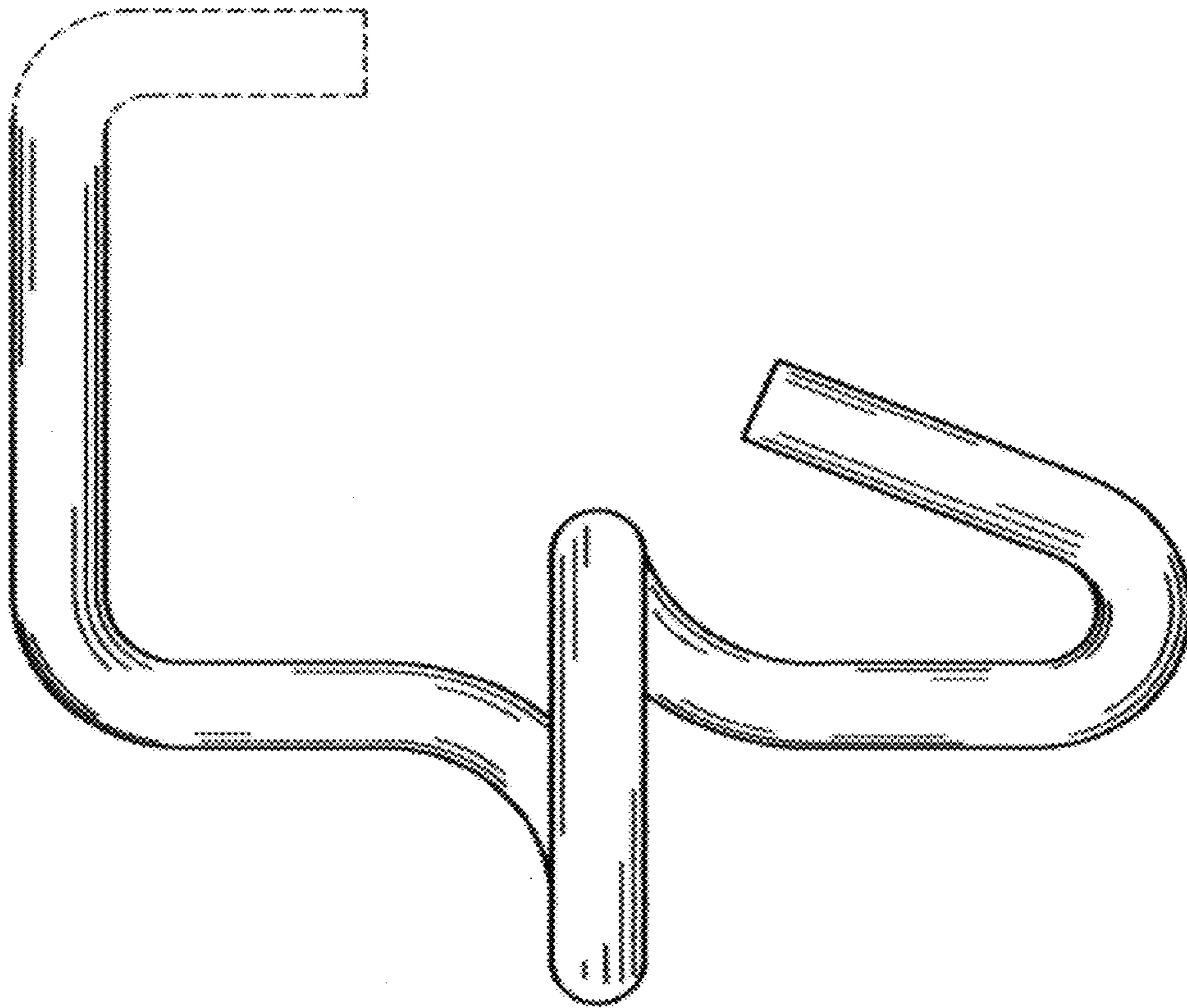


FIG. 2

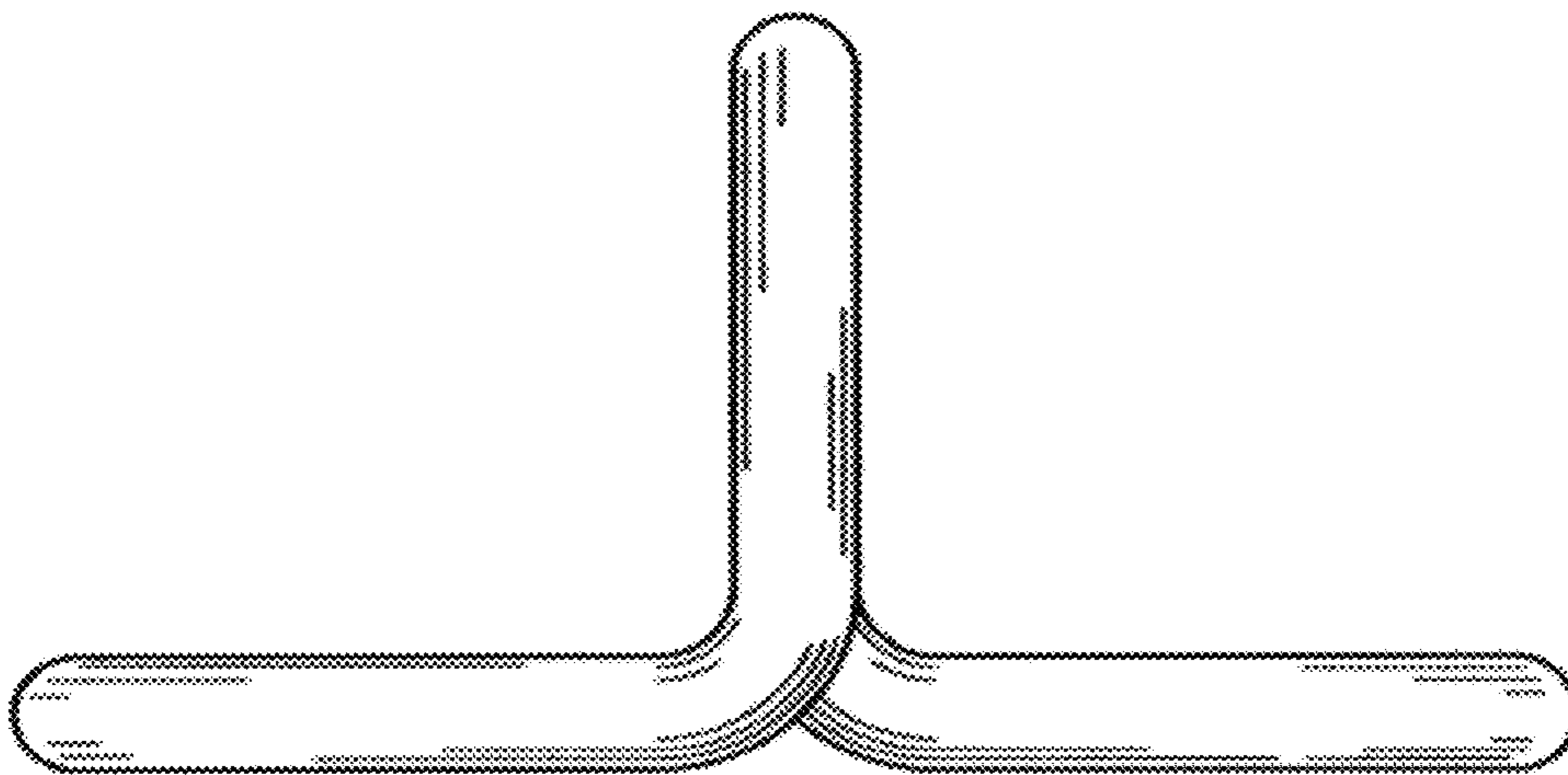


FIG. 3

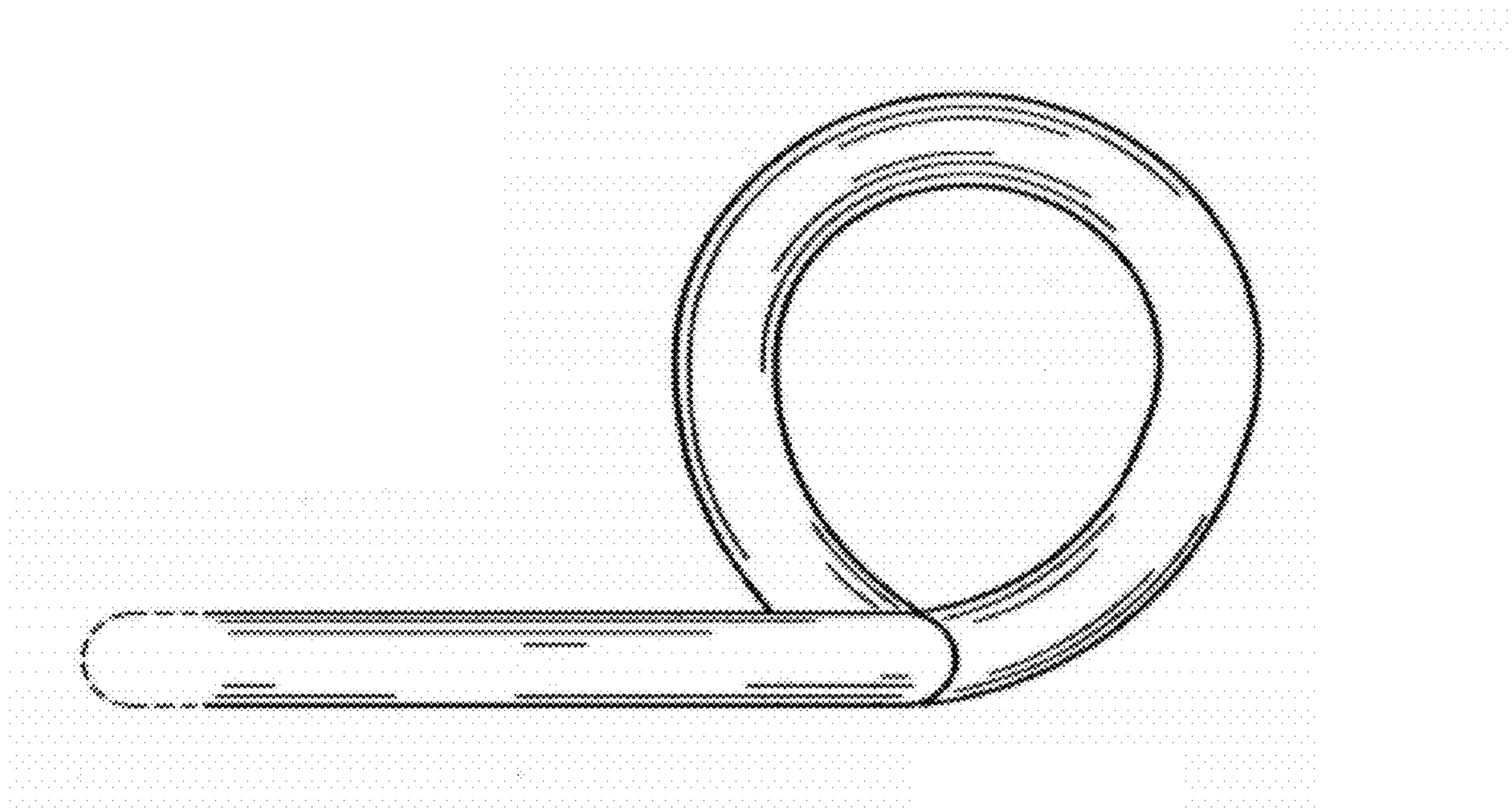


FIG. 4

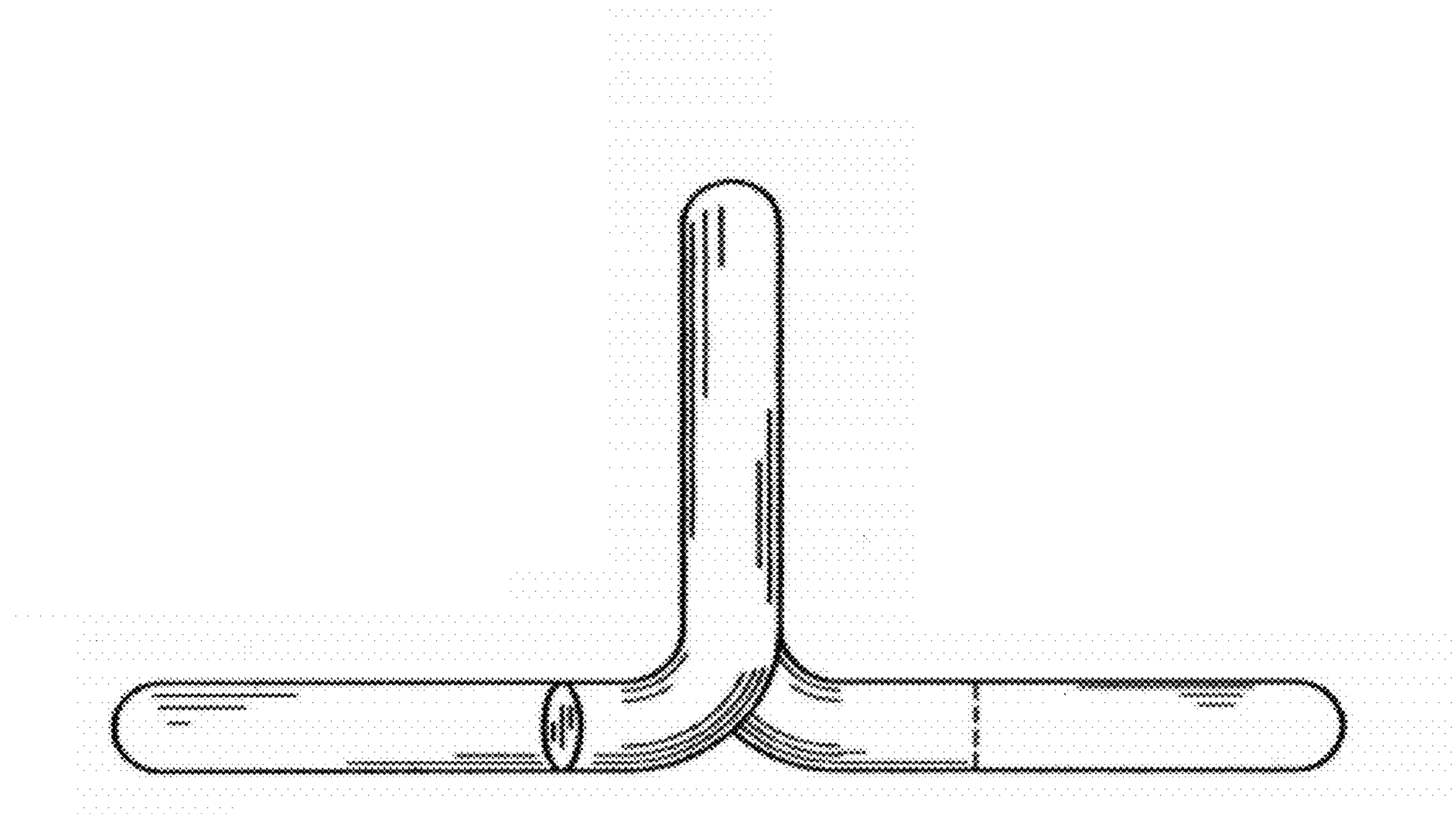


FIG. 5

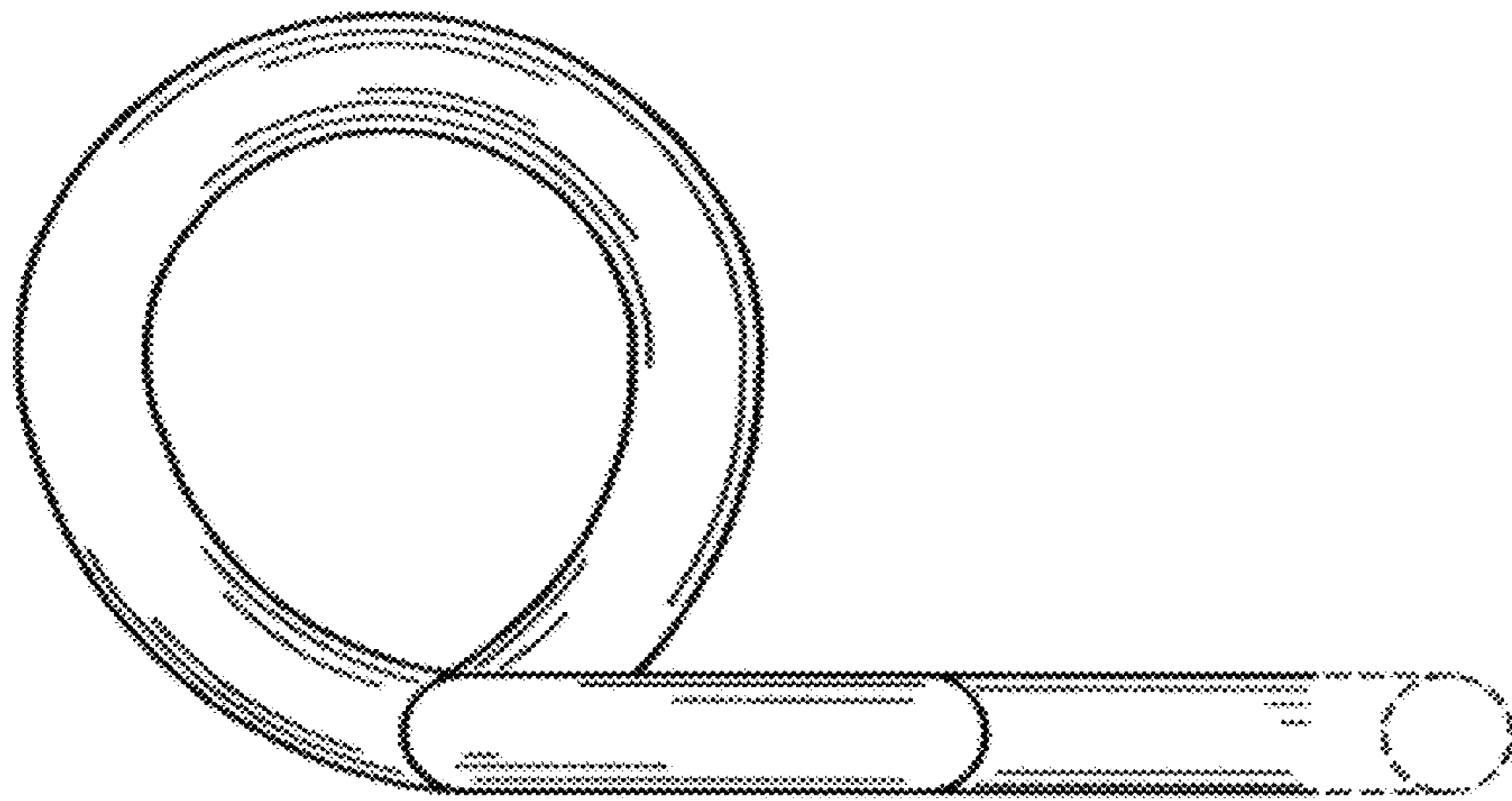


FIG. 6

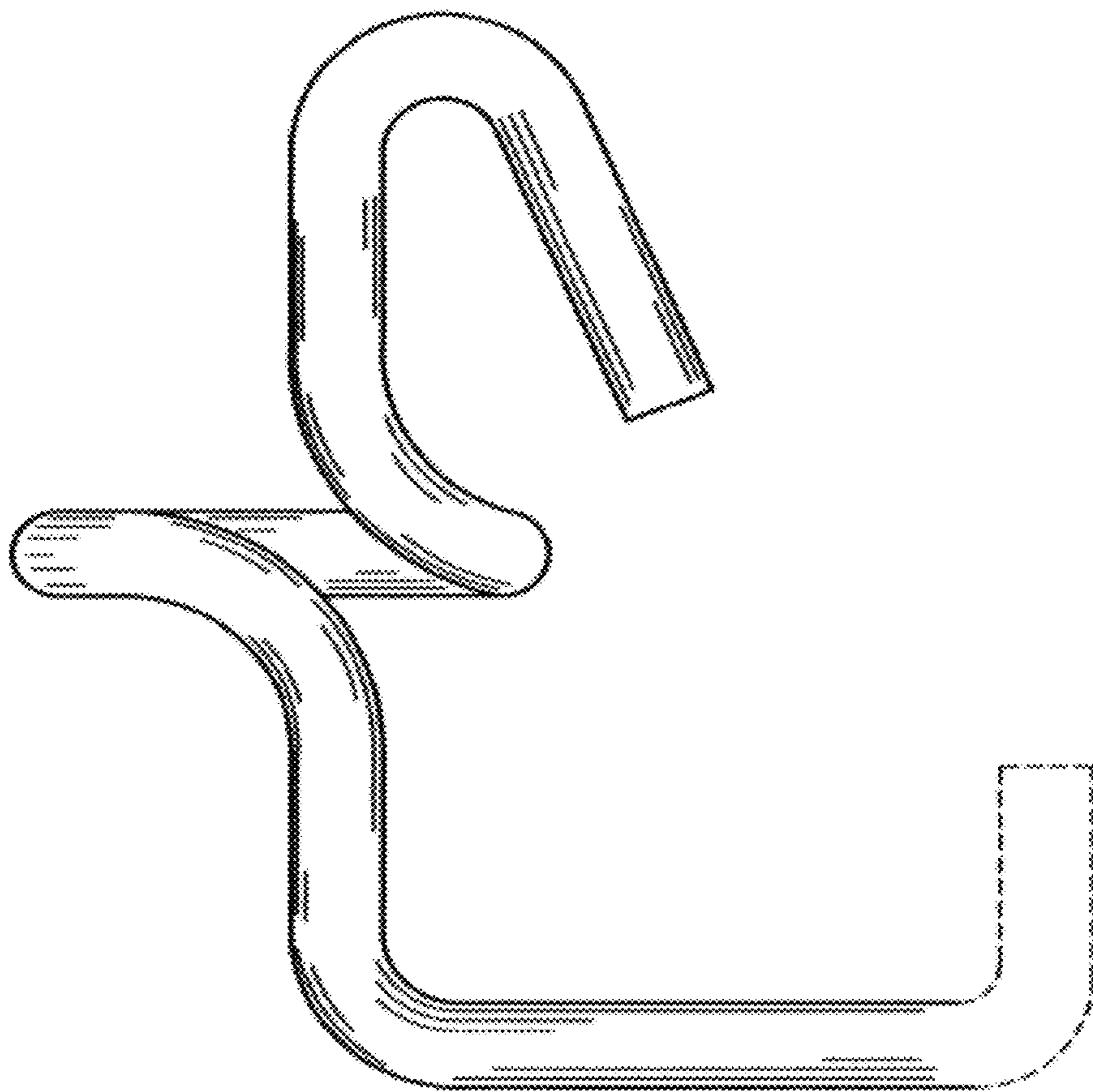


FIG. 7