



US00D672226S

(12) **United States Design Patent**
Wall et al.

(10) **Patent No.:** **US D672,226 S**
(45) **Date of Patent:** **** Dec. 11, 2012**

(54) **LED CLAMP**

(75) Inventors: **Franklin Joseph Wall**, Vacaville, CA (US); **William David Collins, III**, San Jose, CA (US); **Walter Daschner**, Half Moon Bay, CA (US); **Kathleen Anne Hartnett**, Palo Alto, CA (US); **Robert Andrew Zona**, Santa Clara, CA (US)

(73) Assignee: **Koninklijke Philips Electronics N.V.**, Eindhoven (NL)

(**) Term: **14 Years**

(21) Appl. No.: **29/406,404**

(22) Filed: **Nov. 14, 2011**

(51) **LOC (9) Cl.** **08-08**

(52) **U.S. Cl.** **D8/394; D8/380**

(58) **Field of Classification Search** D8/354, D8/366, 371, 380, 394; 24/22, 67 R, 20 S, 24/115 R, 546, 563, 910, 343, 67.9; 248/72, 248/74.2, 215, 227.1, 49, 300, 301, 316.7, 248/51, 489

See application file for complete search history.

(56) **References Cited**

U.S. PATENT DOCUMENTS

3,029,055 A * 4/1962 Smith 248/228.3
D196,142 S * 8/1963 Storm D8/394
3,108,666 A * 10/1963 Holton 52/718.06

3,431,585 A * 3/1969 Foltz 16/94 D
3,536,281 A * 10/1970 Attore et al. 248/73
D286,977 S * 12/1986 Steck et al. D8/394
D340,226 S * 10/1993 Sachs D13/154
5,335,890 A * 8/1994 Pryor et al. 248/343
D391,150 S * 2/1998 Anderson D8/394
D393,998 S * 5/1998 Anderson D8/394
6,924,638 B2 * 8/2005 Muramatsu et al. 324/174
7,090,174 B2 * 8/2006 Korczak et al. 248/61
D535,291 S * 1/2007 Chiang D14/230
7,360,745 B2 * 4/2008 Nikayin et al. 248/216.1
D628,057 S * 11/2010 Benne et al. D8/394

* cited by examiner

Primary Examiner — John Windmuller

(57) **CLAIM**

The ornamental design for an LED clamp, as shown.

DESCRIPTION

FIG. 1 is a perspective view of an LED clamp showing our new design.

FIG. 2 is a front elevational view thereof;

FIG. 3 is a rear elevational view thereof;

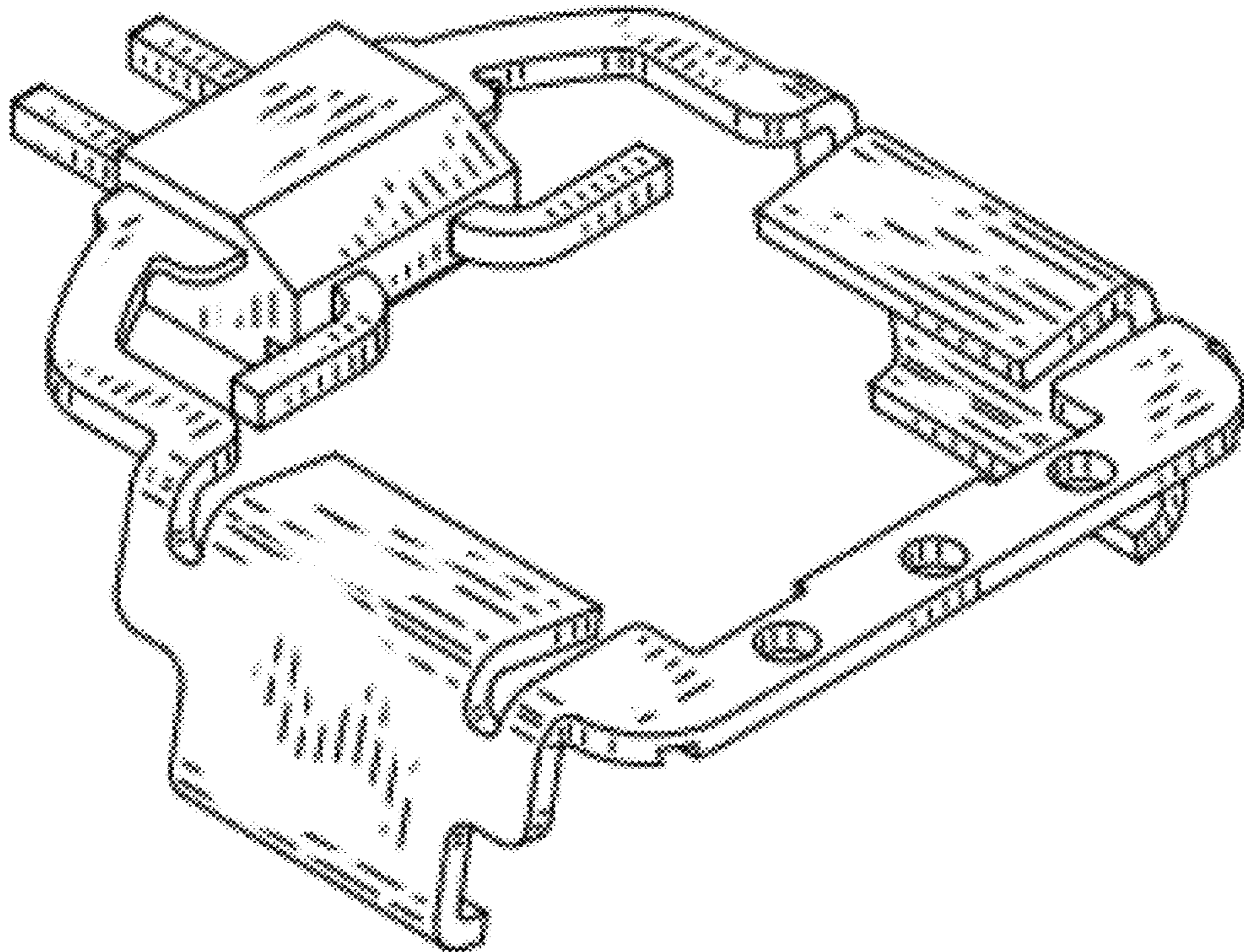
FIG. 4 is a right side elevational view thereof;

FIG. 5 is a left side elevational view thereof;

FIG. 6 is a top plan view thereof; and,

FIG. 7 is a bottom plan view thereof.

1 Claim, 3 Drawing Sheets



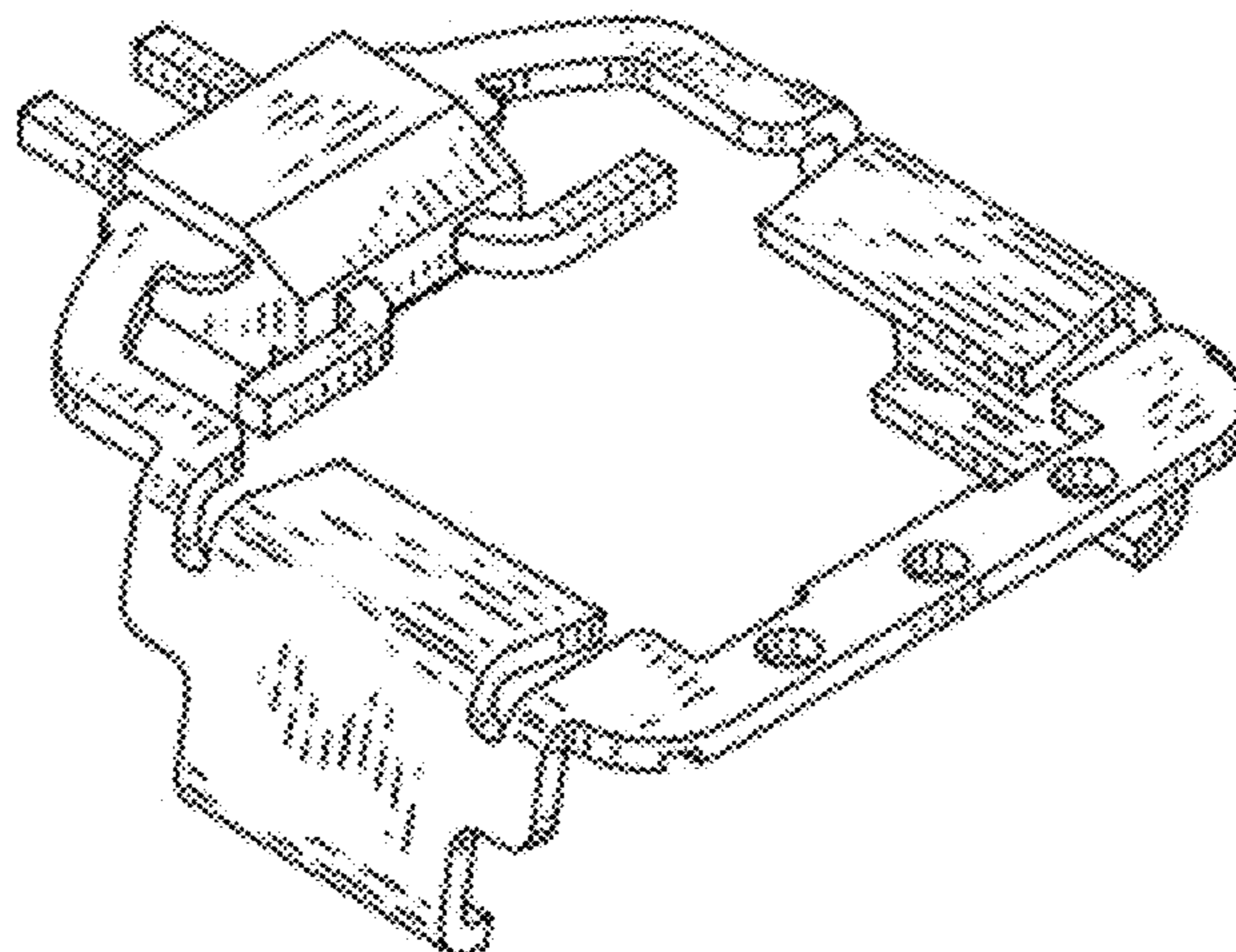


FIG. 1

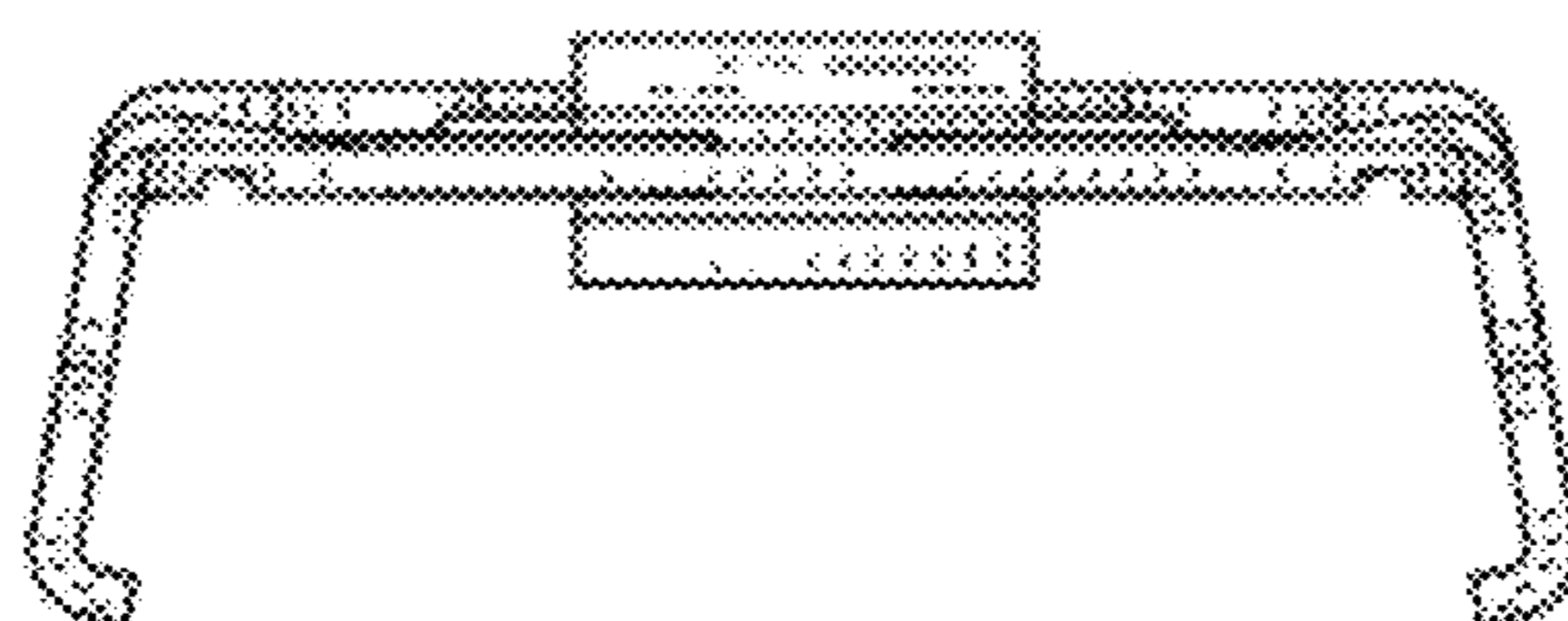


FIG. 2

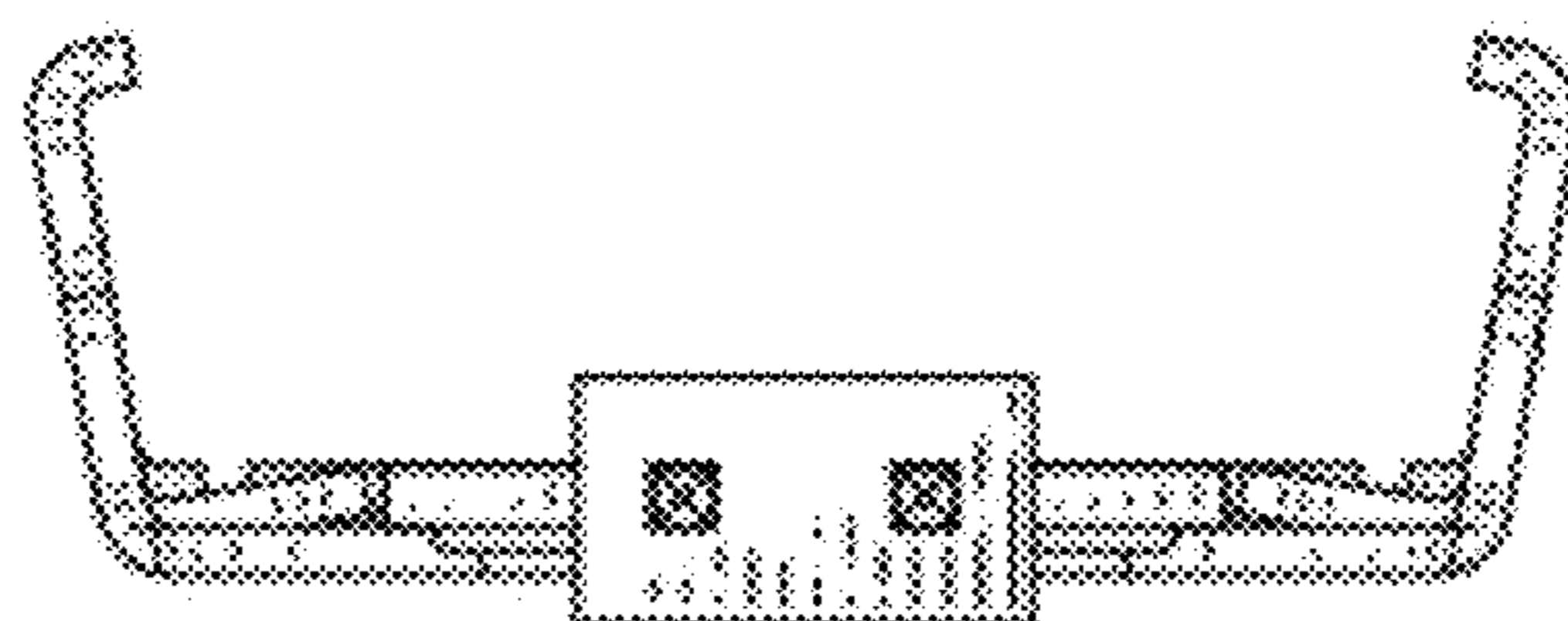


FIG. 3

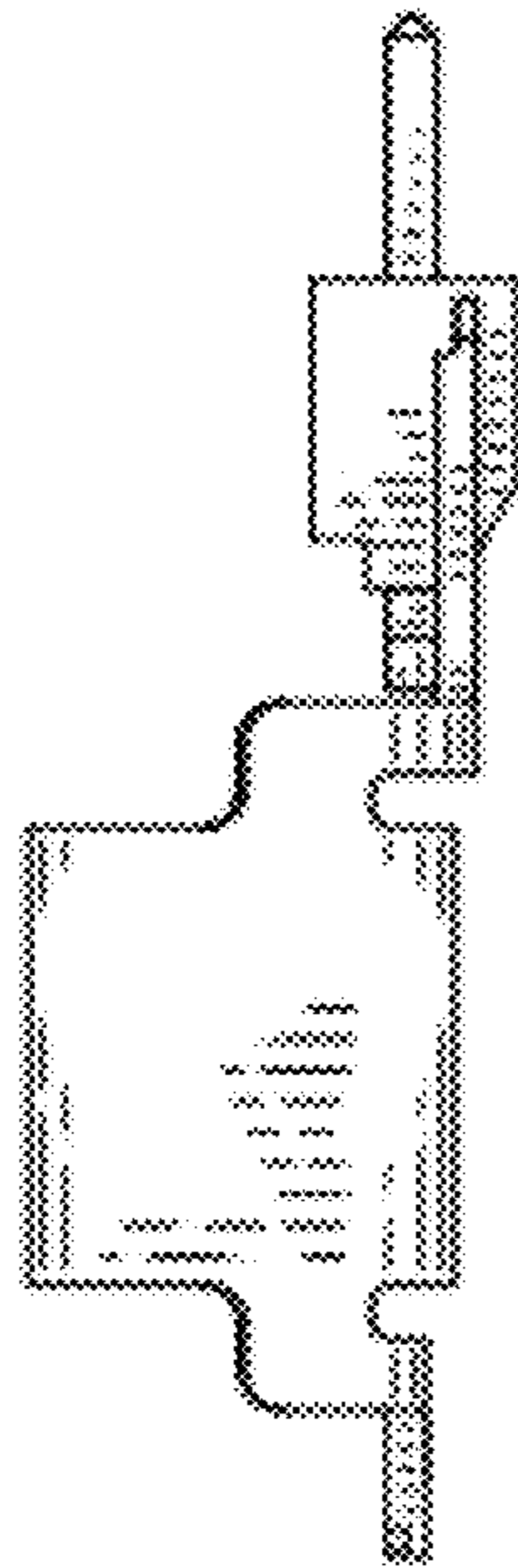


FIG. 4

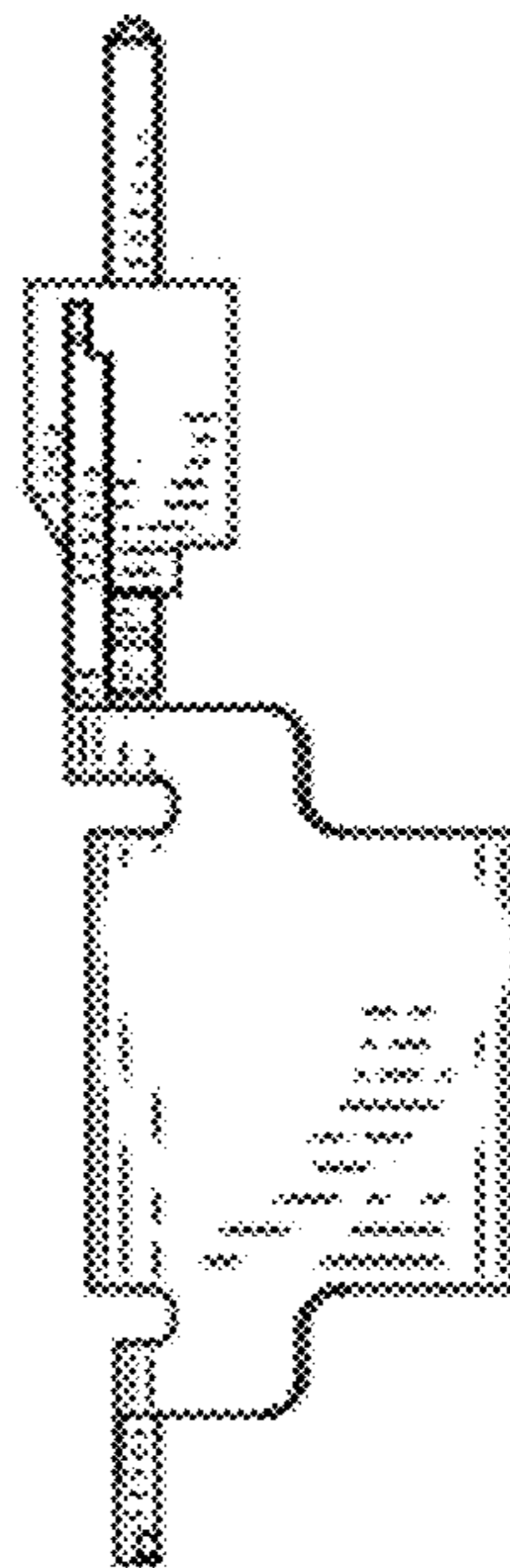


FIG. 5

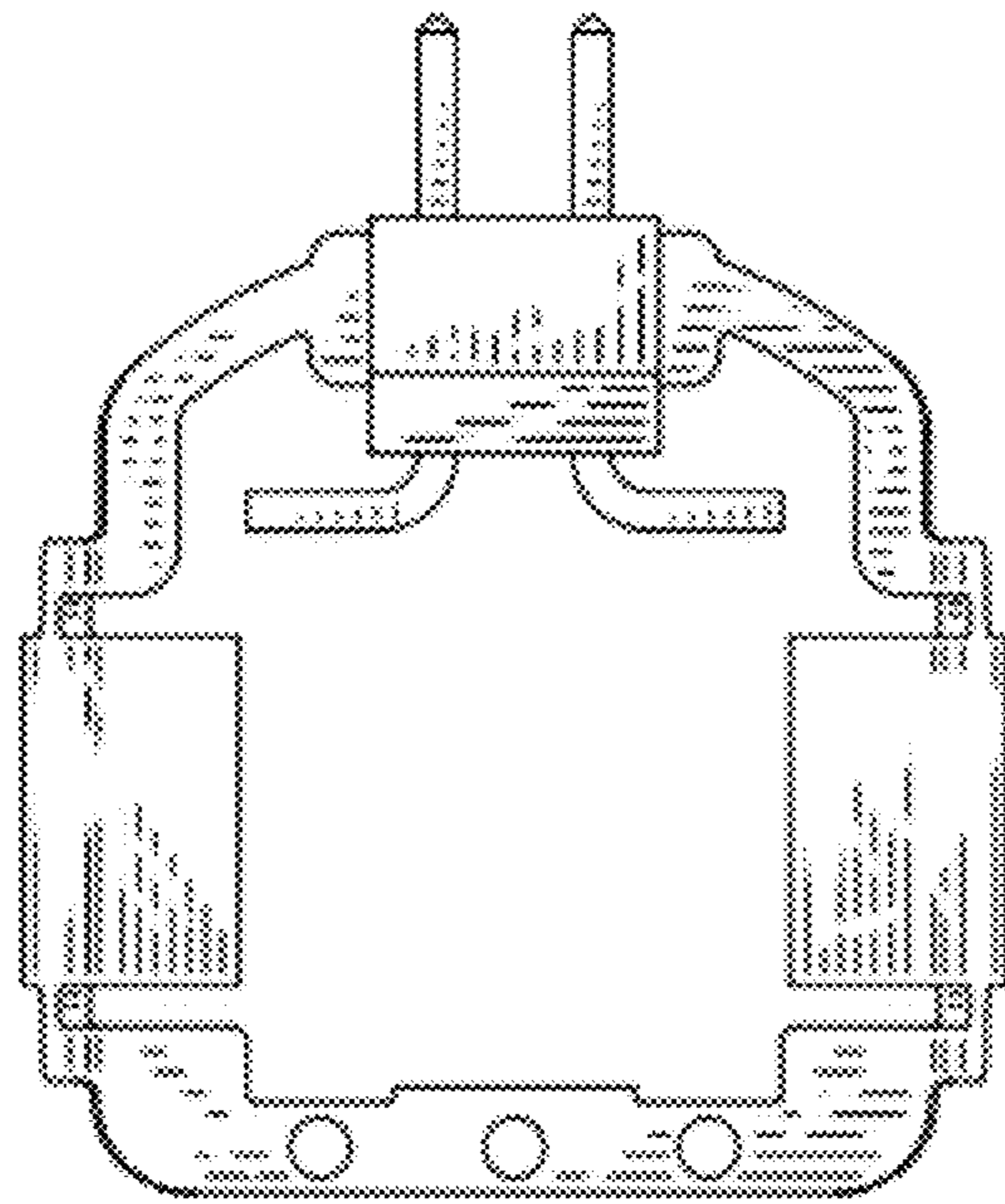


FIG. 6

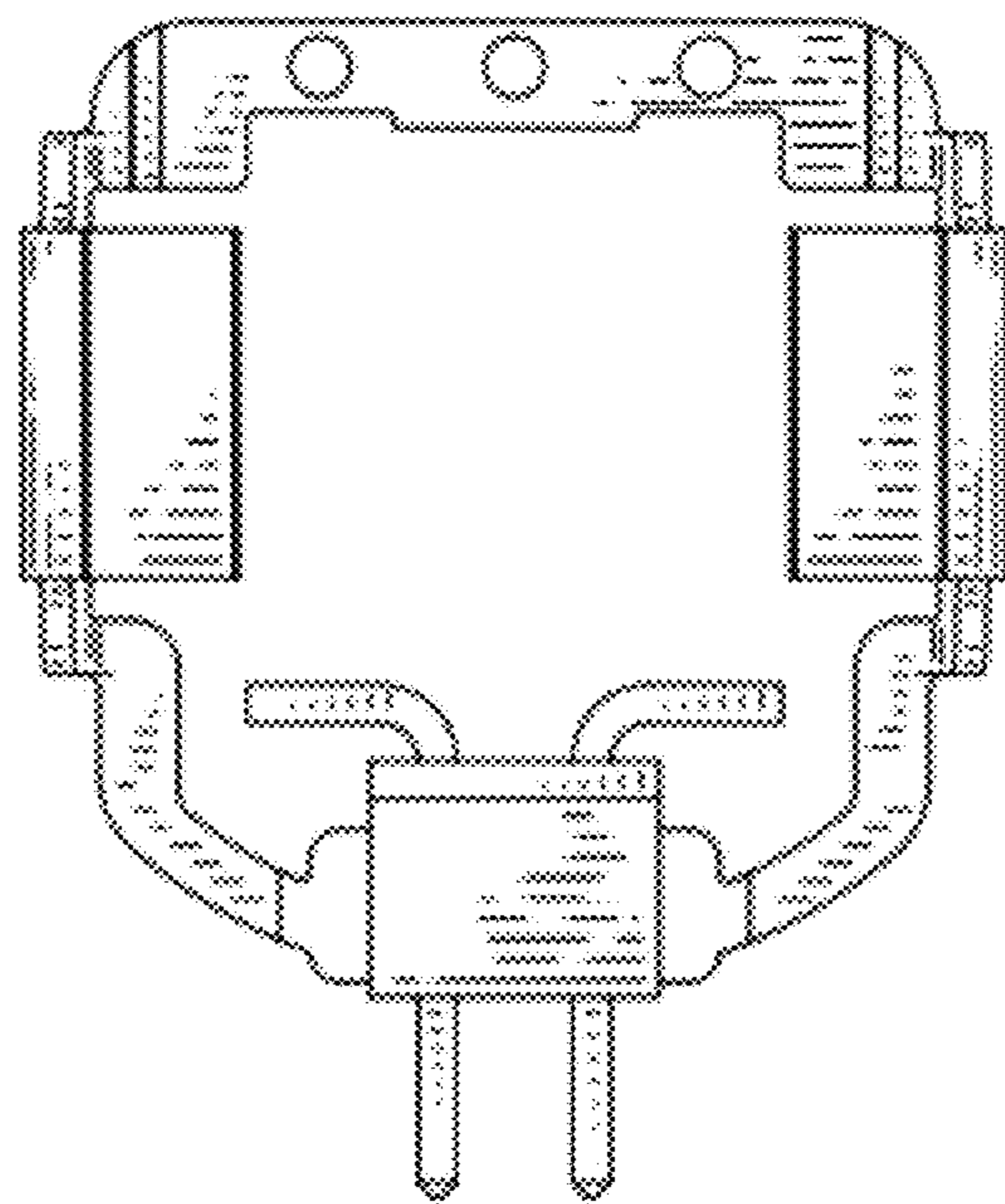


FIG. 7