



US00D672225S

(12) **United States Design Patent**  
**Virnig**

(10) **Patent No.:** **US D672,225 S**

(45) **Date of Patent:** **\*\* Dec. 11, 2012**

(54) **CABLE HANGER ADAPTER**

(75) Inventor: **Sean M. Virnig**, Danville, CA (US)

(73) Assignee: **Rawland Cycles LLC**, Danville, CA (US)

(\*\*) Term: **14 Years**

(21) Appl. No.: **29/406,247**

(22) Filed: **Nov. 10, 2011**

(51) **LOC (9) Cl.** ..... **08-05**

(52) **U.S. Cl.** ..... **D8/373**

(58) **Field of Classification Search** ..... 24/592.11,  
24/599.1, 588.1, 601.5, 601, 599.9, 598.1,  
24/599.6, 452, 129 R, 600.9, 16 R; D8/356,  
D8/354, 349, 372, 367, 382, 395, 396, 373;  
63/8, 7, 12, 15, 1.14; D12/317; D6/323;  
248/301, 302, 303, 304, 175, 63, 67.5, 74.4,  
248/68.1, 65, 49; 402/35; 114/218, 114;  
294/137, 158, 82.19; 410/101; 182/3; D11/210;  
D3/207; 446/124; 273/153 R; 439/257;  
174/40 R, 64, 72 A

See application file for complete search history.

(56) **References Cited**

**U.S. PATENT DOCUMENTS**

1,362,244 A \* 12/1920 Farley ..... 248/59  
2,339,992 A \* 1/1944 Hohmeister ..... 248/62  
3,049,326 A \* 8/1962 Otterson ..... 248/59

3,273,837 A \* 9/1966 Willert et al. .... 248/59  
4,730,800 A \* 3/1988 Engman ..... 248/67  
D357,174 S \* 4/1995 Perlman et al. .... D8/373  
D382,195 S \* 8/1997 Ekern ..... D8/373  
D392,553 S \* 3/1998 Dill ..... D8/380  
D433,927 S \* 11/2000 Ellery ..... D8/380  
D553,971 S \* 10/2007 Krueger ..... D8/396  
D621,077 S \* 8/2010 Fleischman ..... D26/9

\* cited by examiner

*Primary Examiner* — Cynthia Underwood

(74) *Attorney, Agent, or Firm* — Timberline Patent Law Group PLLC; Christopher Lattin

(57) **CLAIM**

The ornamental design for a cable hanger adapter, as shown and described.

**DESCRIPTION**

FIG. 1 is a perspective view of the cable hanger adapter shown with an exemplary environment in dashed line and forming no part of the claim;

FIG. 2 is a perspective view of the cable hanger adapter shown in FIG. 1;

FIG. 3 is a rear elevational plan view thereof;

FIG. 4 is a left side elevational view thereof;

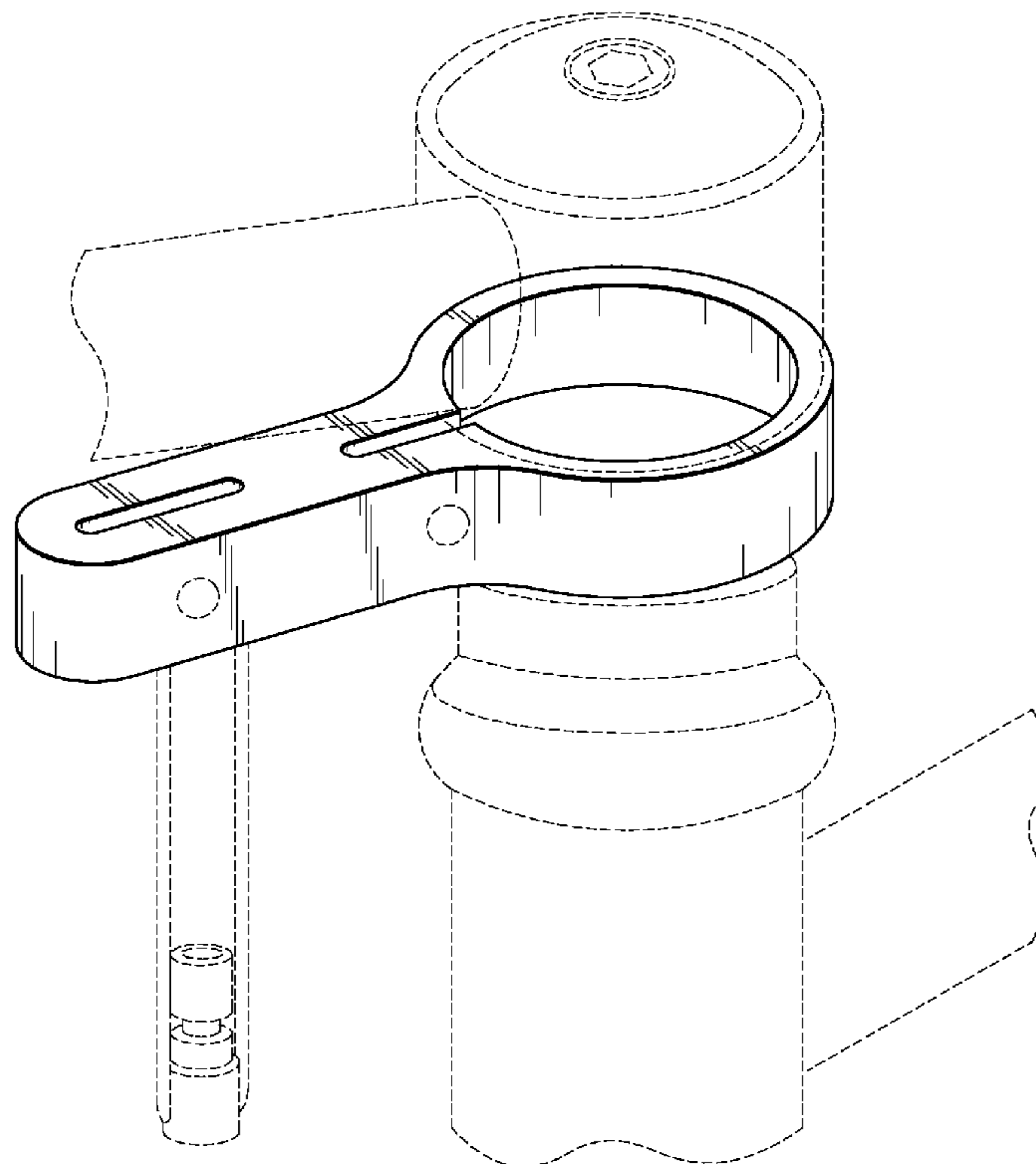
FIG. 5 is a top plan view thereof, the bottom plan view being a mirror image of the top plan view;

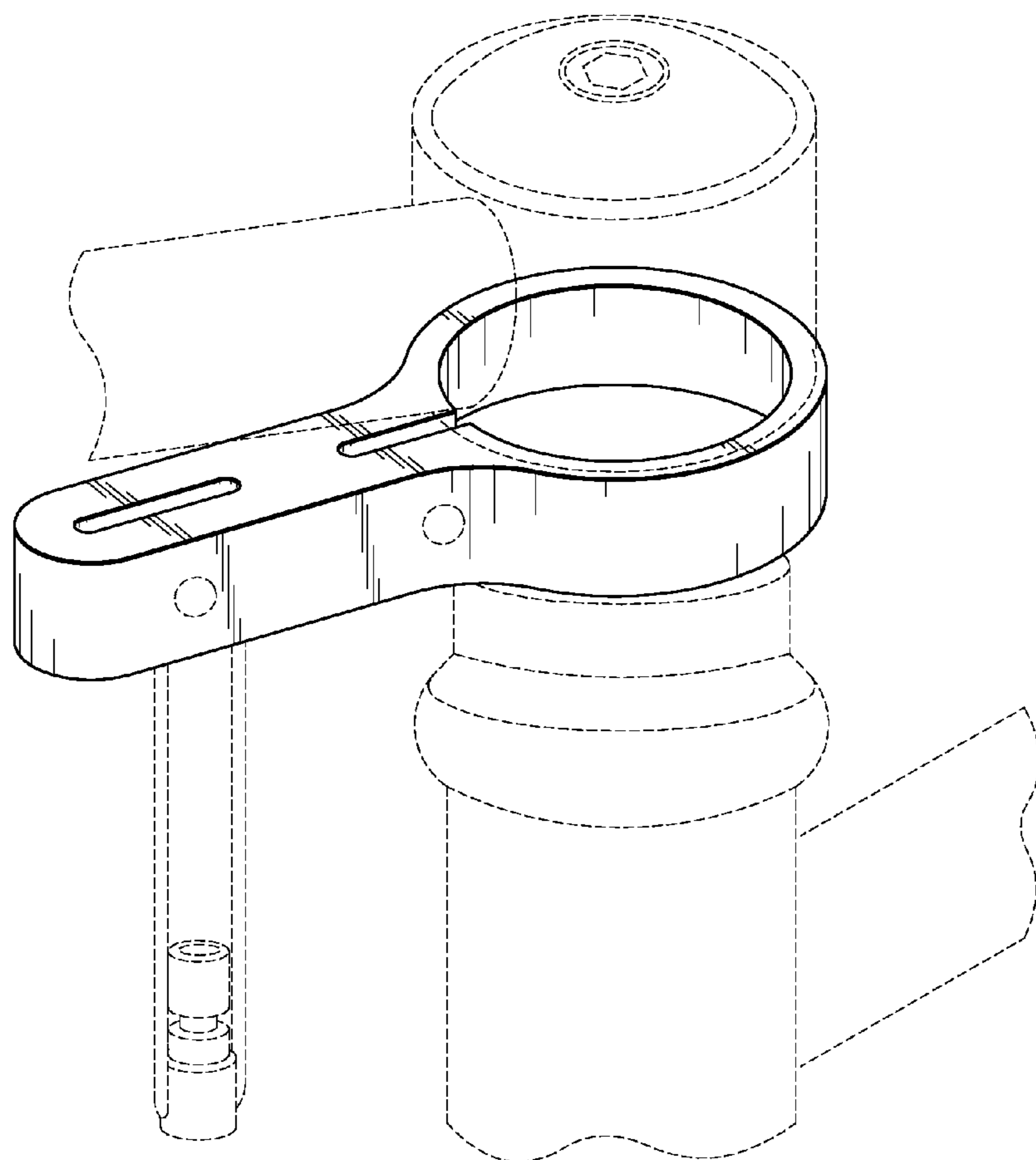
FIG. 6 is a right side elevational view thereof; and,

FIG. 7 is a front elevational plan view thereof.

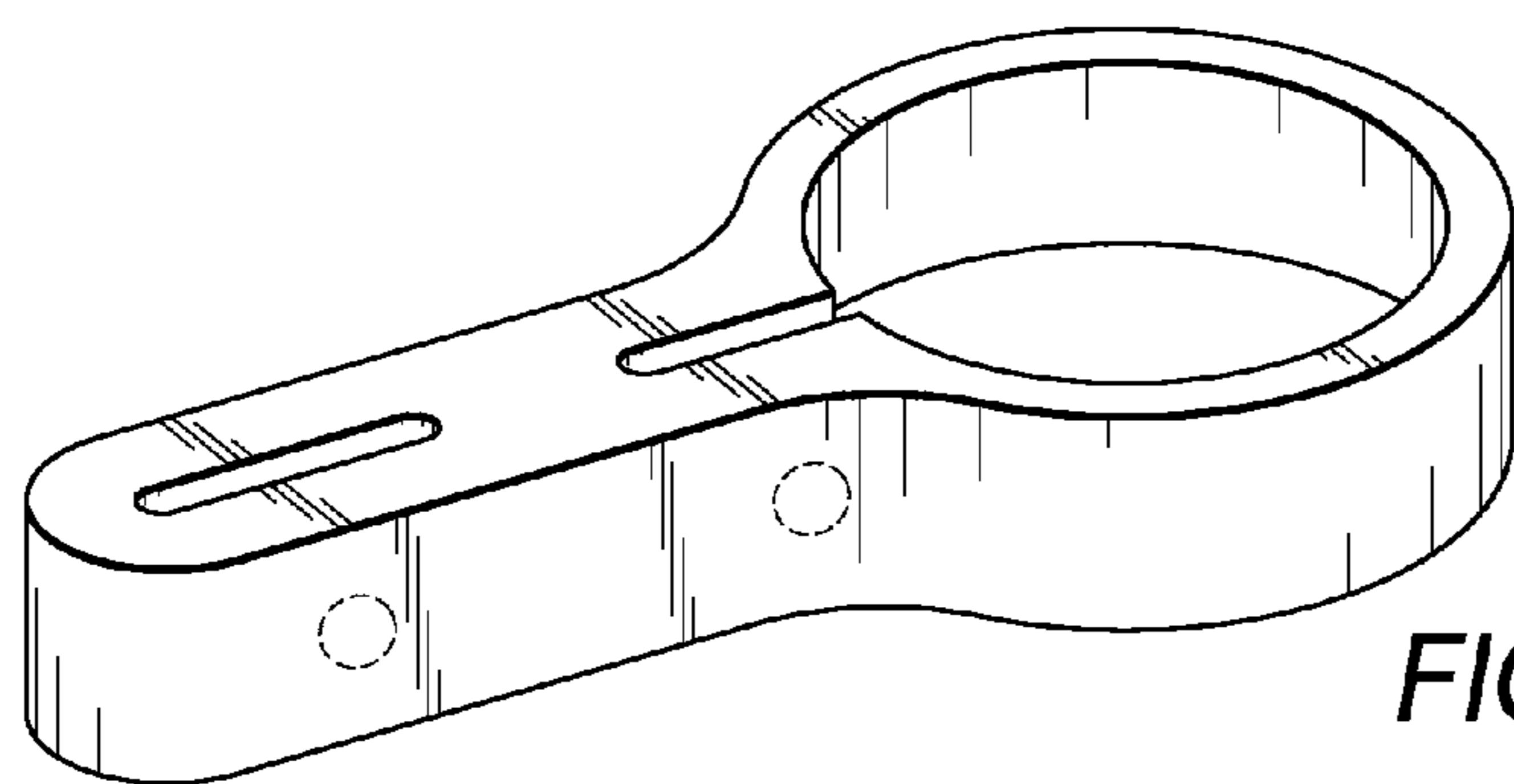
Through holes are shown in broken lines for illustrative purposes only and form no part of the claimed design.

**1 Claim, 2 Drawing Sheets**

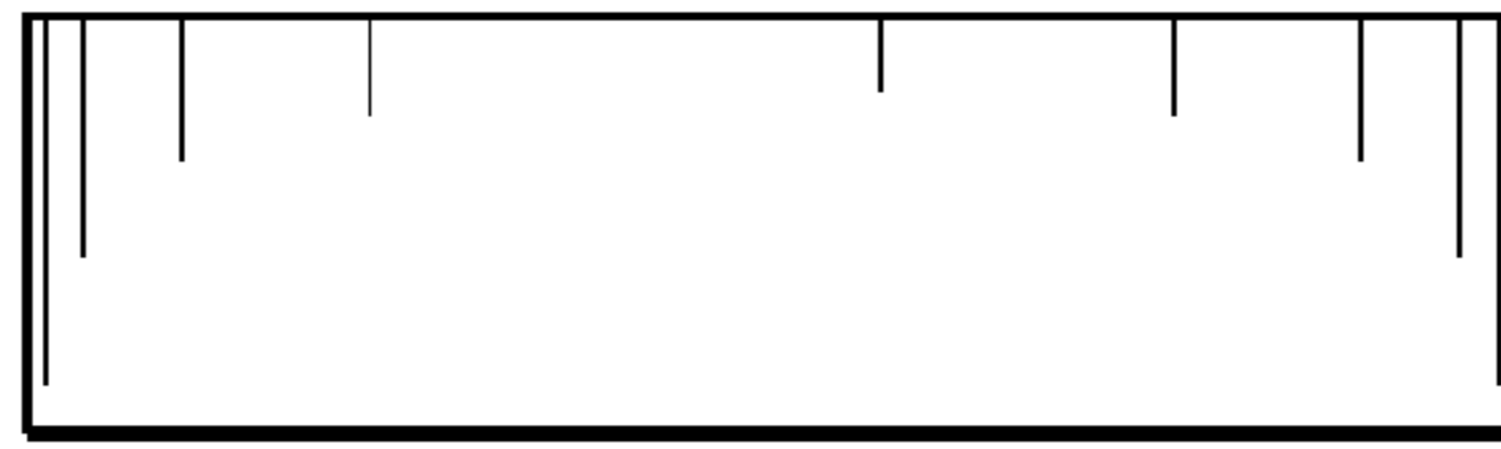




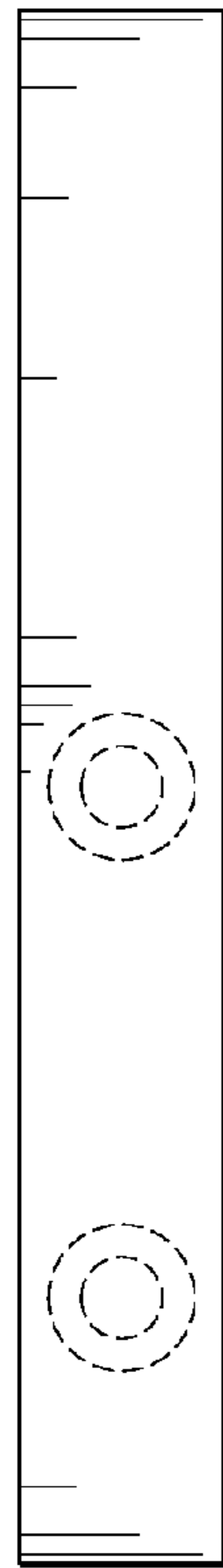
**FIG. 1**



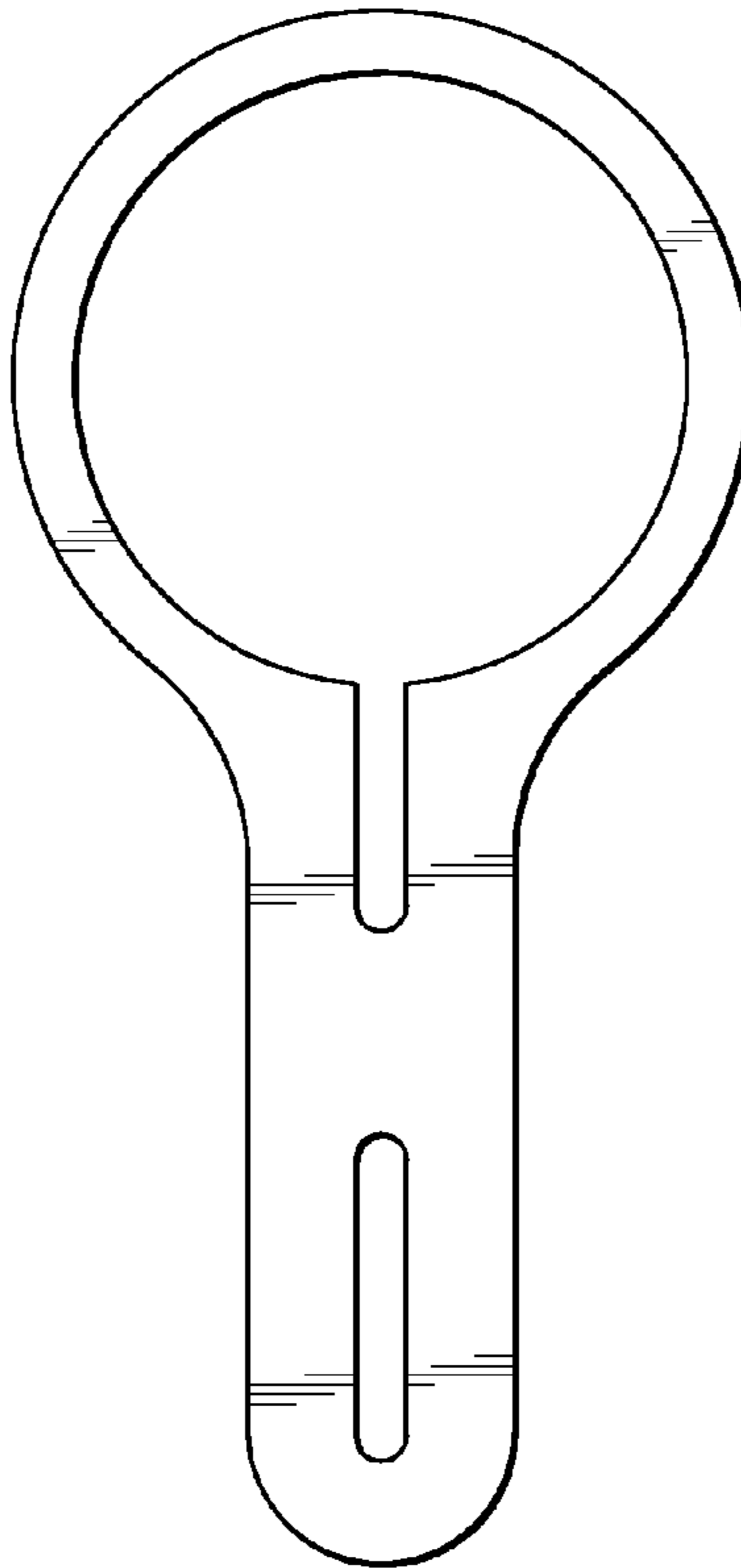
**FIG. 2**



*FIG. 3*



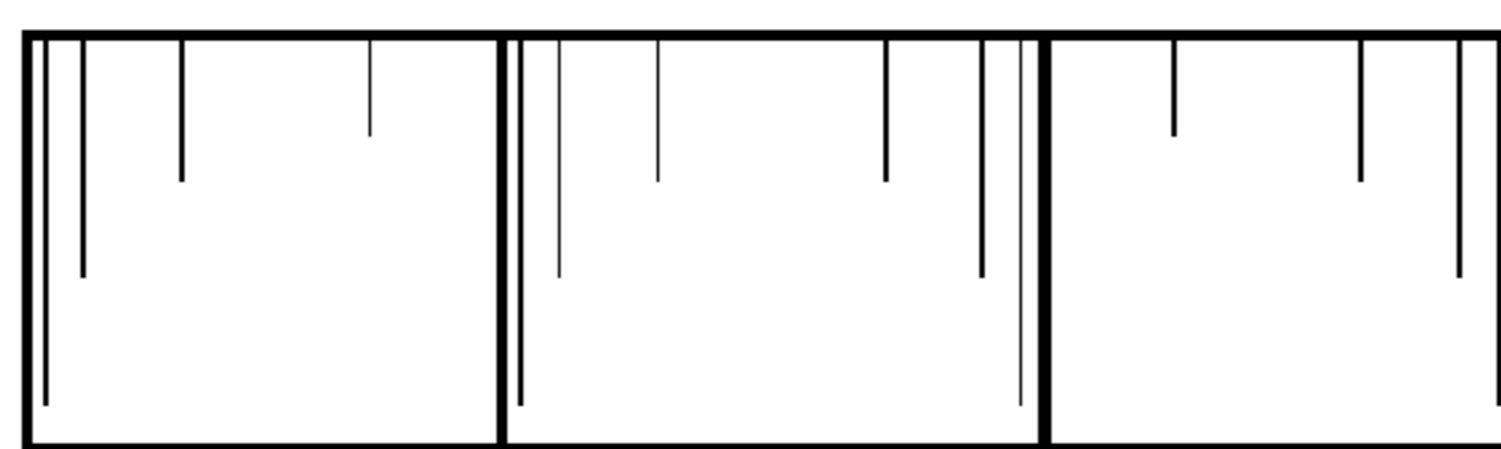
*FIG. 4*



*FIG. 5*



*FIG. 6*



*FIG. 7*