



US00D672224S

(12) **United States Design Patent**
Brinson et al.

(10) **Patent No.:** **US D672,224 S**
(45) **Date of Patent:** **** Dec. 11, 2012**

(54) **Z-SHAPED PIN**

(76) Inventors: **Garland R. Brinson**, Burlleson, TX
(US); **Jason Lamar Potts**, Franklin, TN
(US)

(**) Term: **14 Years**

(21) Appl. No.: **29/419,533**

(22) Filed: **Apr. 30, 2012**

(51) **LOC (9) Cl.** **08-05**

(52) **U.S. Cl.** **D8/367**

(58) **Field of Classification Search** D8/367,
D8/354, 349, 356; 248/227.2, 308, 215,
248/231.81, 304; 16/256, 258
See application file for complete search history.

(56) **References Cited**

U.S. PATENT DOCUMENTS

1,333,692	A *	3/1920	Wester	248/215
2,698,470	A *	1/1955	Buedingen	411/461
3,268,195	A *	8/1966	Hoffman	248/220.31
3,282,547	A *	11/1966	Ables	248/546
D305,299	S *	1/1990	Freeman	D8/373
D342,889	S *	1/1994	Adams	D8/367
D349,447	S *	8/1994	Daniller	D8/367
7,694,401	B2 *	4/2010	Peterson	29/275
D649,439	S *	11/2011	McDuff et al.	D8/367
2006/0134375	A1 *	6/2006	Peterson	428/100

2007/0124910	A1 *	6/2007	Peterson et al.	29/432
2007/0235622	A1 *	10/2007	Baran et al.	248/546
2008/0115343	A1 *	5/2008	Peterson	29/428

* cited by examiner

Primary Examiner — Cynthia Underwood
(74) *Attorney, Agent, or Firm* — James E. Walton; J. Oliver Williams

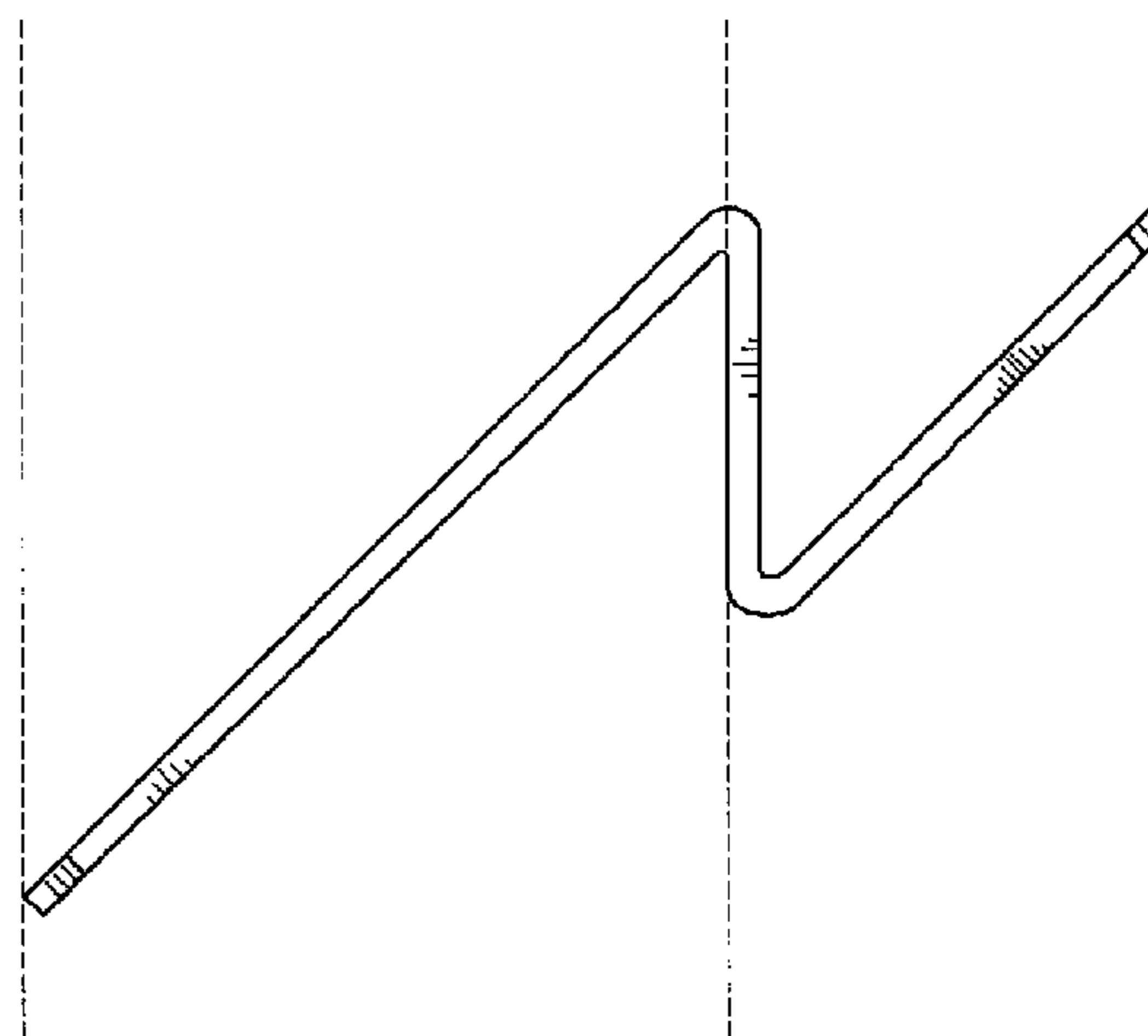
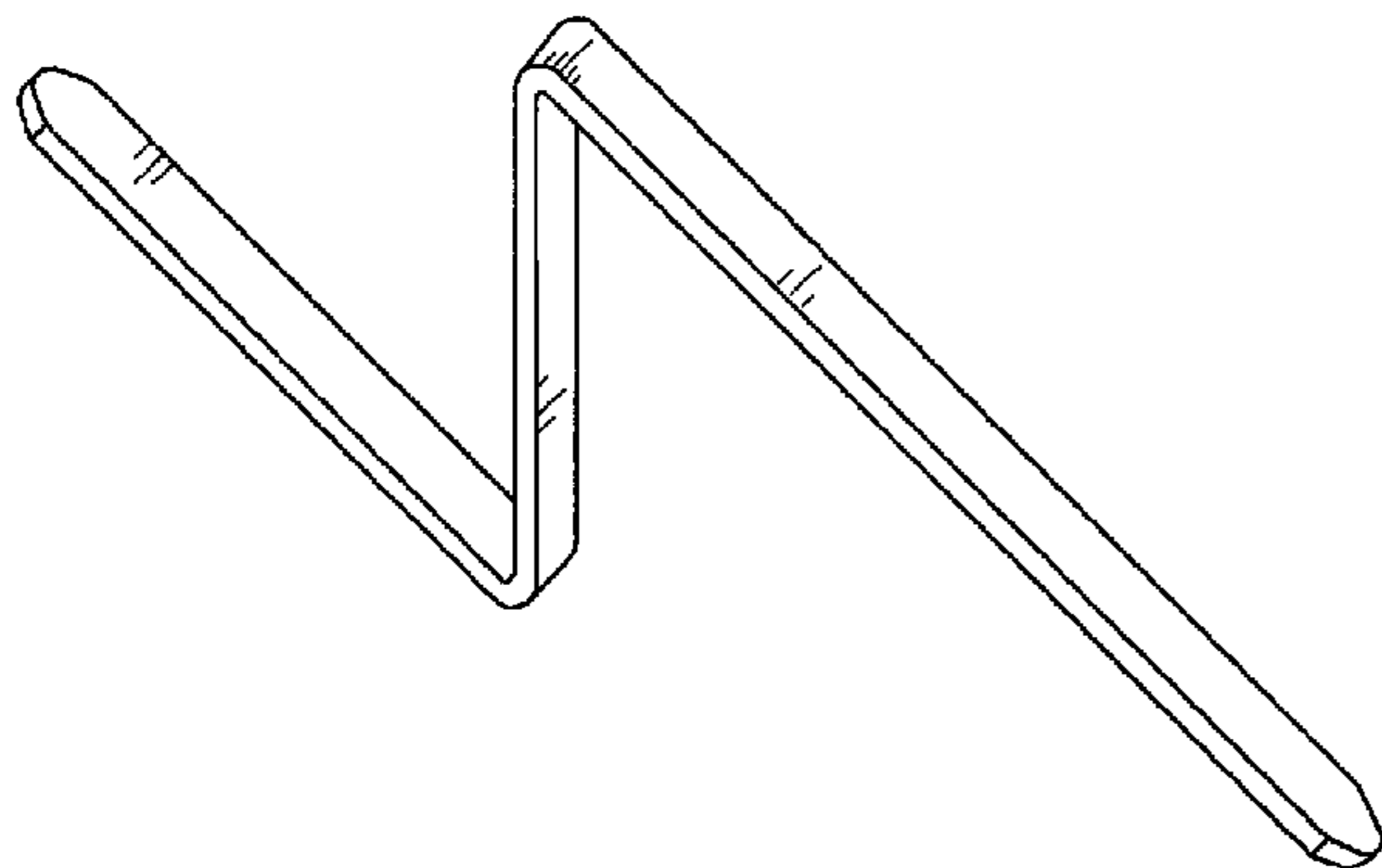
(57) **CLAIM**

The ornamental design for a Z-shaped pin, as shown and described.

DESCRIPTION

FIG. 1 is an oblique view of a Z-shaped pin for hanging objects from walls according to the present application. FIG. 2 is a right view of the Z-shaped pin of FIG. 1 installed in a wall, the wall being shown in phantom. FIG. 3 is a left view of the Z-shaped pin of FIG. 1 installed in a wall, the wall being shown in phantom. FIG. 4 is an enlarged top view of the Z-shaped pin of FIG. 1. FIG. 5 is an enlarged front view of the Z-shaped pin of FIG. 1. FIG. 6 is an enlarged back view of the Z-shaped pin of FIG. 1; and, FIG. 7 is an enlarged bottom view of the Z-shaped pin of FIG. 1. The broken lines are included for the purpose of illustrating environmental structure and form no part of the claimed design.

1 Claim, 3 Drawing Sheets



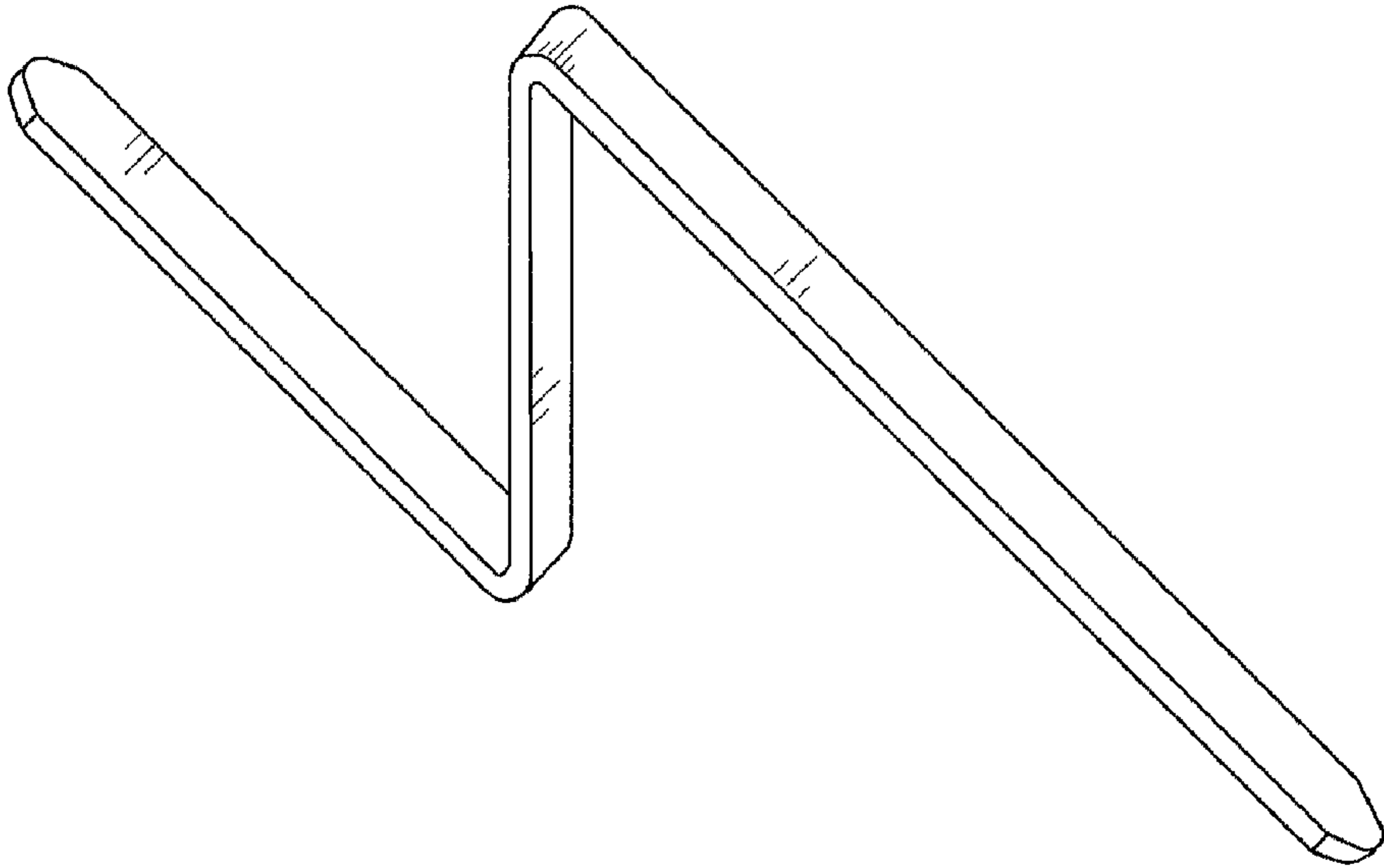


FIG. 1

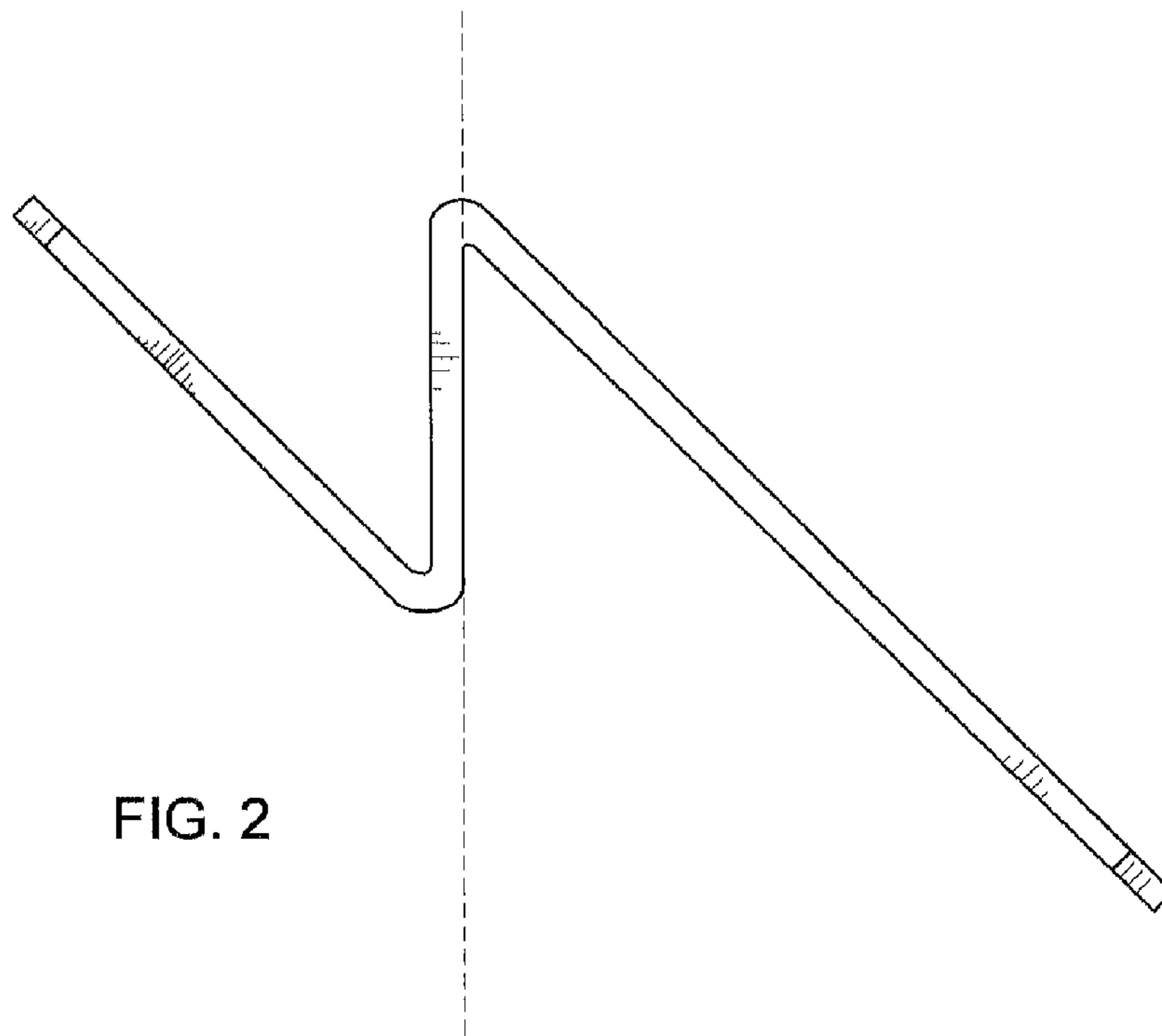


FIG. 2

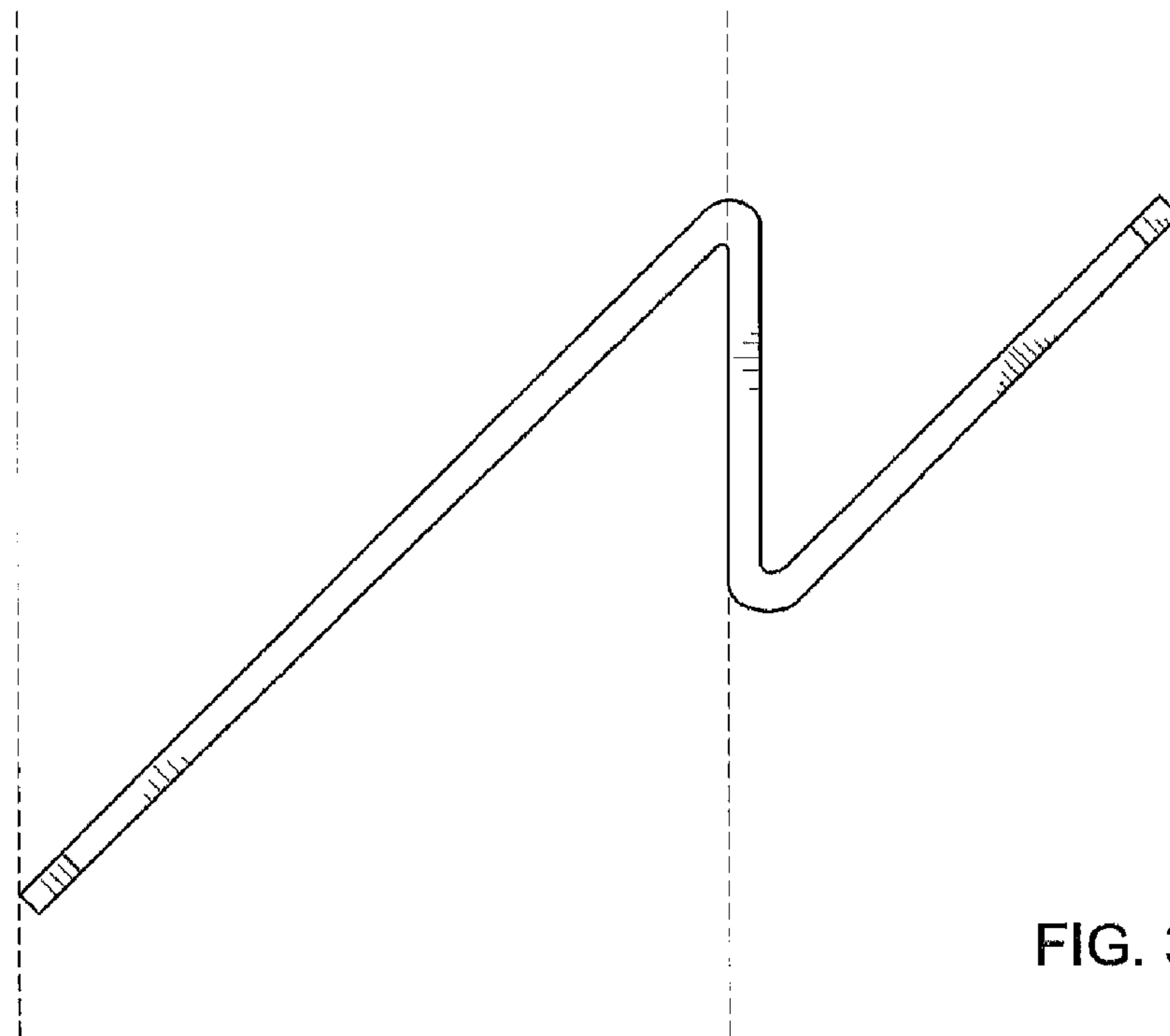


FIG. 3



FIG. 4

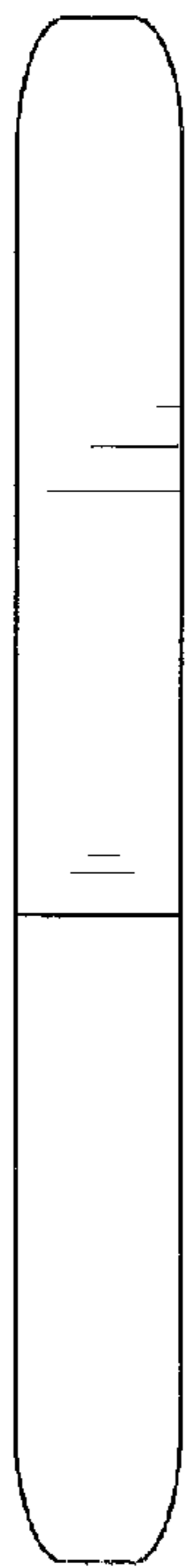


FIG. 5



FIG. 6



FIG. 7