



US00D672219S

(12) **United States Design Patent**
Blanski et al.

(10) **Patent No.:** **US D672,219 S**

(45) **Date of Patent:** **** Dec. 11, 2012**

(54) **VEHICLE DOOR HANDLE**

(75) Inventors: **Dillon Blanski**, Ferndale, MI (US);
Moray Callum, Ann Arbor, MI (US)

(73) Assignee: **Ford Global Technologies, LLC**,
Dearborn, MI (US)

(**) Term: **14 Years**

(21) Appl. No.: **29/405,461**

(22) Filed: **Nov. 2, 2011**

(51) **LOC (9) Cl.** **08-06**

(52) **U.S. Cl.** **D8/302**

(58) **Field of Classification Search** D8/300,
D8/301, 302, 307, 308; 16/110.1, 412; 292/336.3
See application file for complete search history.

(56) **References Cited**

U.S. PATENT DOCUMENTS

D122,668	S	*	9/1940	Hollindale	D8/308
D292,063	S	*	9/1987	Hill	D8/302
4,883,296	A	*	11/1989	Laurie	292/336.3
5,791,703	A	*	8/1998	Kritzler et al.	292/336.3
6,239,693	B1	*	5/2001	Benard et al.	340/426.26
6,363,577	B1	*	4/2002	Spitzley	292/336.3
6,401,302	B1	*	6/2002	Josserand et al.	16/444
6,415,636	B1	*	7/2002	Fukumoto et al.	70/208
6,523,871	B1	*	2/2003	Josserand	292/347
6,612,630	B1	*	9/2003	Meinke	292/348
6,880,870	B2	*	4/2005	Costigan	292/336.3
6,889,870	B2	*	5/2005	De Laforcade	222/1
6,964,439	B2	*	11/2005	Nomura et al.	292/336.3
7,111,880	B2	*	9/2006	Saitoh	292/336.3

D531,880	S	*	11/2006	Wang	D8/302
7,152,893	B2	*	12/2006	Pudney	292/336.3
D536,595	S	*	2/2007	Sakamoto et al.	D8/302
7,431,357	B2	*	10/2008	Pudney	292/336.3
D585,719	S	*	2/2009	Imai et al.	D8/302
D593,396	S	*	6/2009	Habib	D8/308
7,600,795	B2	*	10/2009	Cummins et al.	292/336.3

OTHER PUBLICATIONS

Aston Martin Brochure.
Car Advice, Oct. 5, 2011, 2013 Ford Mondeo Mule Spy Photot.
Ford Evos Concept Brochure.

* cited by examiner

Primary Examiner — Paula Greene

(74) *Attorney, Agent, or Firm* — Damian Porcari

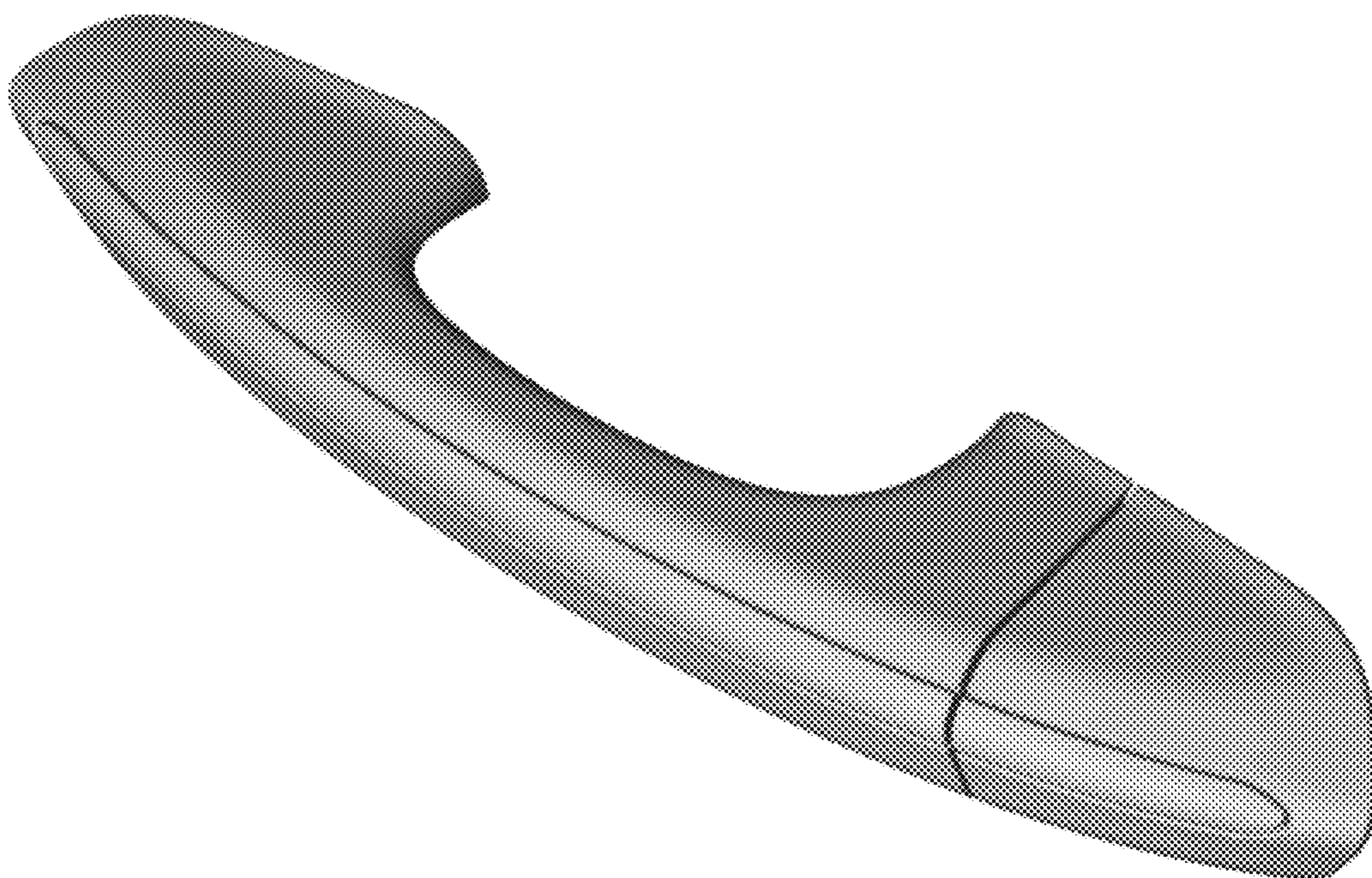
(57) **CLAIM**

The ornamental design for a vehicle door handle, as shown and described.

DESCRIPTION

FIG. 1 is a left side elevational view of a vehicle door handle showing our new design;
FIG. 2 is a front elevational view of the vehicle door handle;
FIG. 3 is a rear side elevational view of the vehicle door handle;
FIG. 4 is a top plan view of the vehicle door handle;
FIG. 5 is a bottom plan view of the vehicle door handle;
FIG. 6 is a perspective view of the vehicle door handle; and,
FIG. 7 is another perspective view of the vehicle door handle.

1 Claim, 7 Drawing Sheets



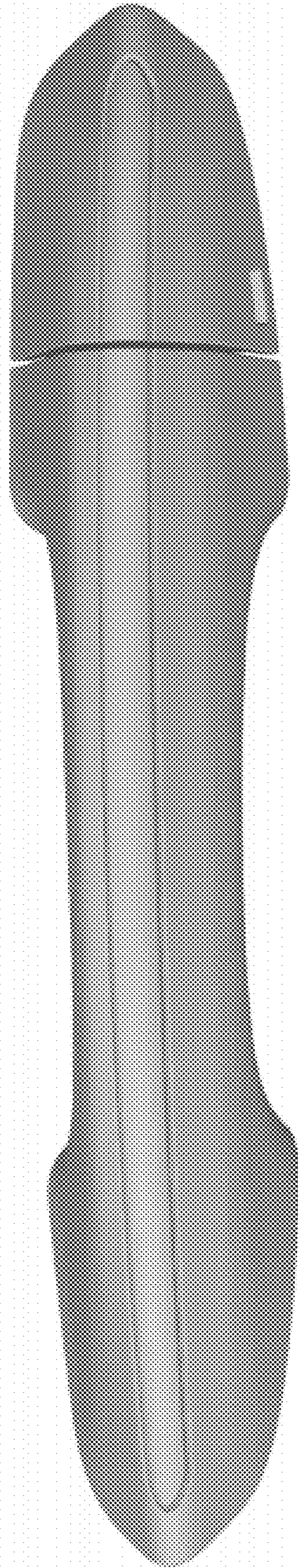


Figure 1



Figure 2

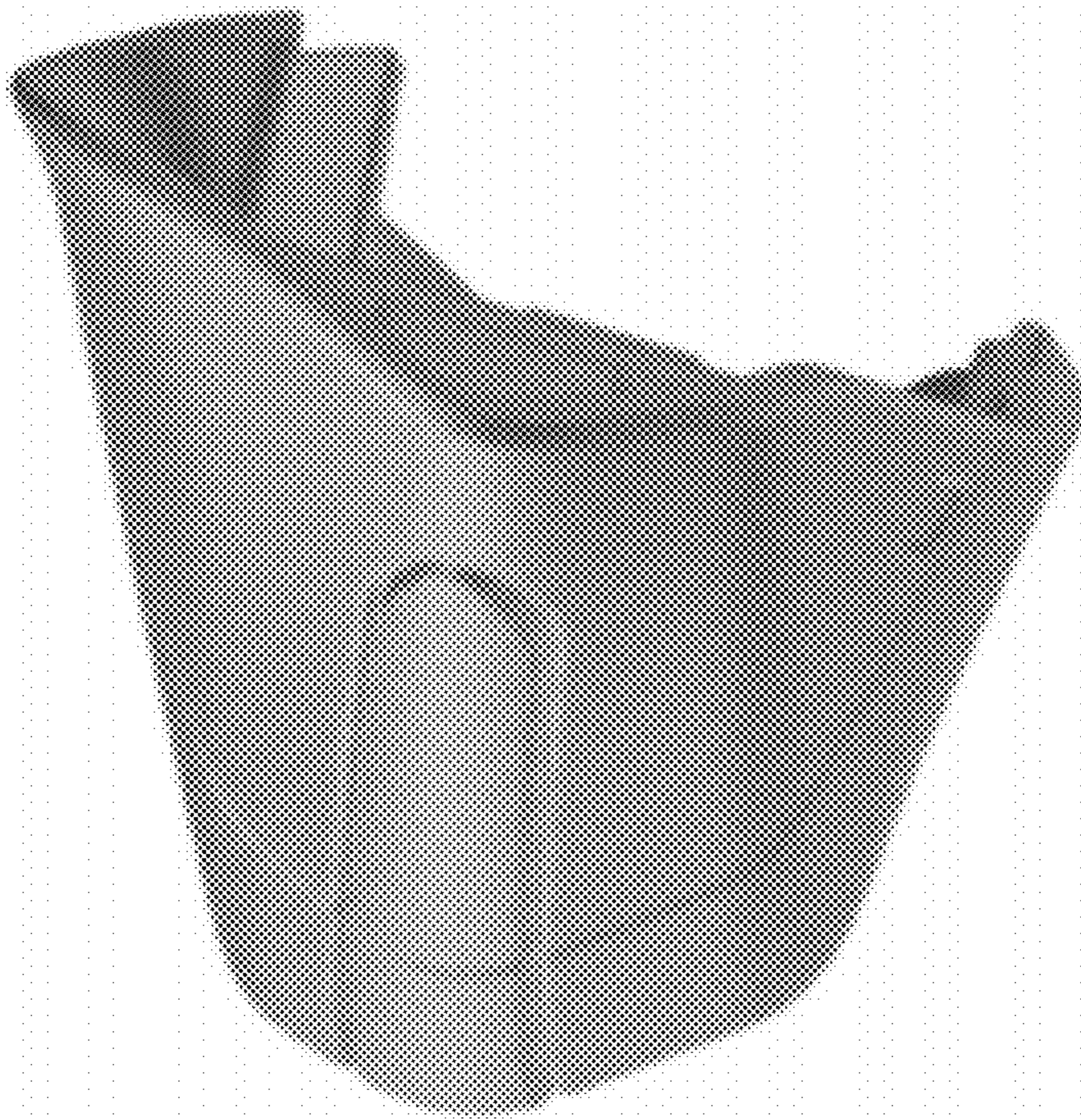


Figure 3

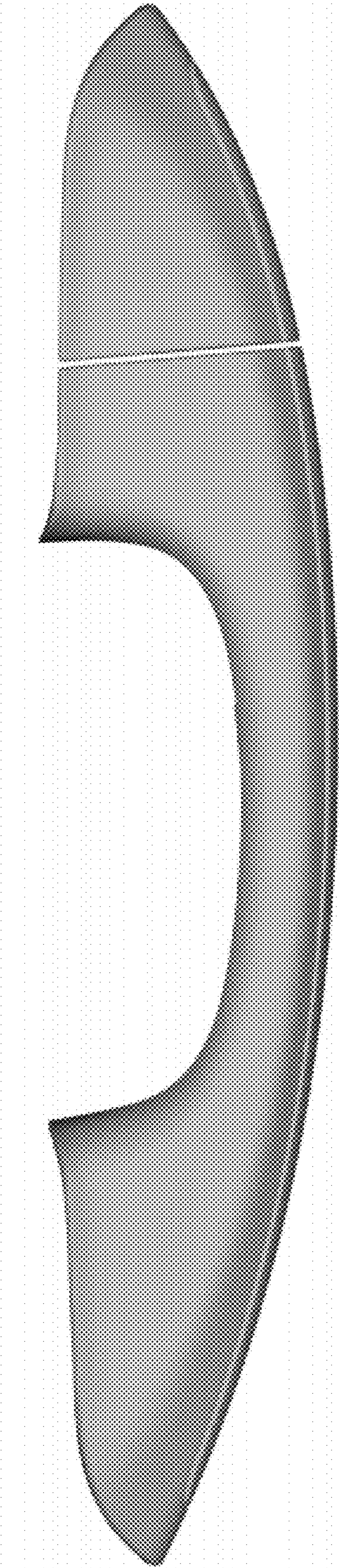


Figure 4

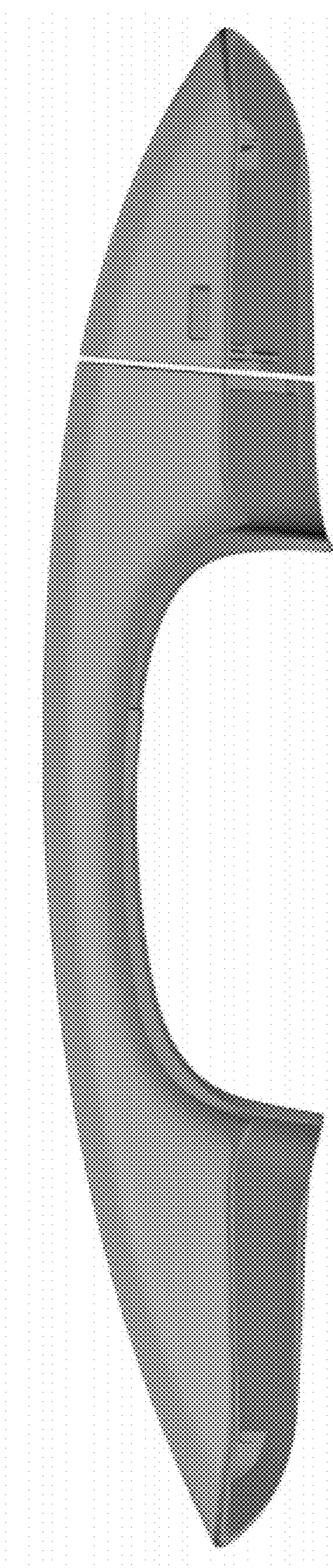


Figure 5



Figure 6

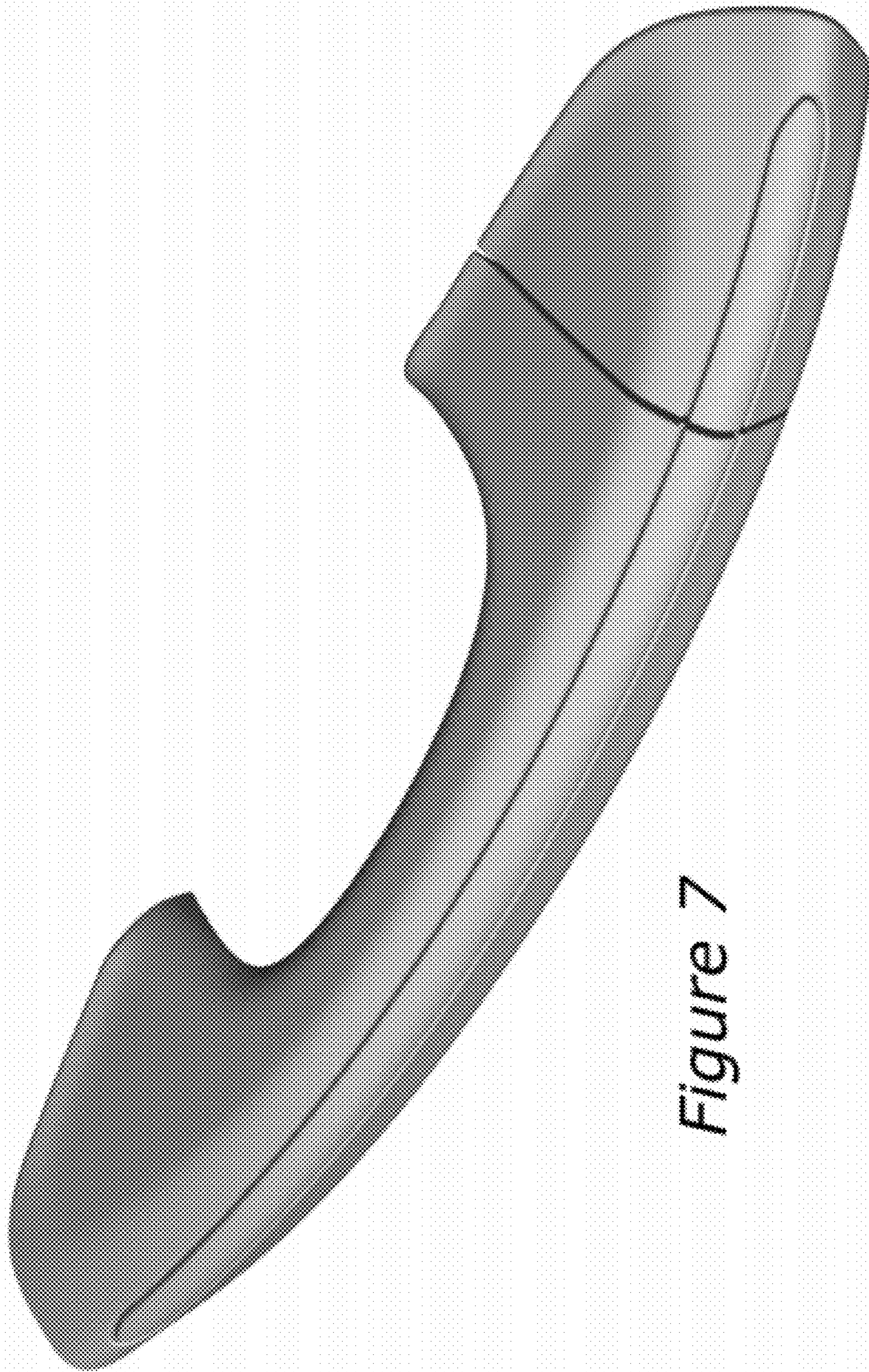


Figure 7