



US00D672216S

(12) **United States Design Patent**
Hsieh

(10) **Patent No.:** **US D672,216 S**

(45) **Date of Patent:** **** Dec. 11, 2012**

(54) **WRENCH**

(75) Inventor: **Chih-Ching Hsieh**, Taichung (TW)

(73) Assignee: **Kabo Tool Company**, Taichung (TW)

(**) Term: **14 Years**

(21) Appl. No.: **29/418,726**

(22) Filed: **Apr. 20, 2012**

(30) **Foreign Application Priority Data**

Jan. 9, 2012 (TW) 101300124

(51) **LOC (9) Cl.** **08-05**

(52) **U.S. Cl.** **D8/28**

(58) **Field of Classification Search** D8/21-29;
81/60, 177.1, 177.85, 121.1, 124.3, 165-170,
81/110.1, 176.2, 124.6, 176.1, 176.15, 177.2,
81/186, 125, 119, 180.1, 185.02; 16/110.1;
D15/144.1; 219/75, 227, 229, 121.16, 121.18
See application file for complete search history.

(56) **References Cited**

U.S. PATENT DOCUMENTS

D496,238 S * 9/2004 Hsien D8/28
D499,619 S * 12/2004 Hsien D8/28

D506,371 S * 6/2005 Hsien D8/27
7,827,886 B2 * 11/2010 Hu 81/63.1
D632,147 S * 2/2011 Yang D8/28
D658,462 S * 5/2012 Hsieh D8/28
D661,560 S * 6/2012 Chang D8/28
D662,799 S * 7/2012 Hsieh D8/28

* cited by examiner

Primary Examiner — Raphael Barkai

Assistant Examiner — Randall Gholson

(74) *Attorney, Agent, or Firm* — CKC & Partners Co., Ltd.

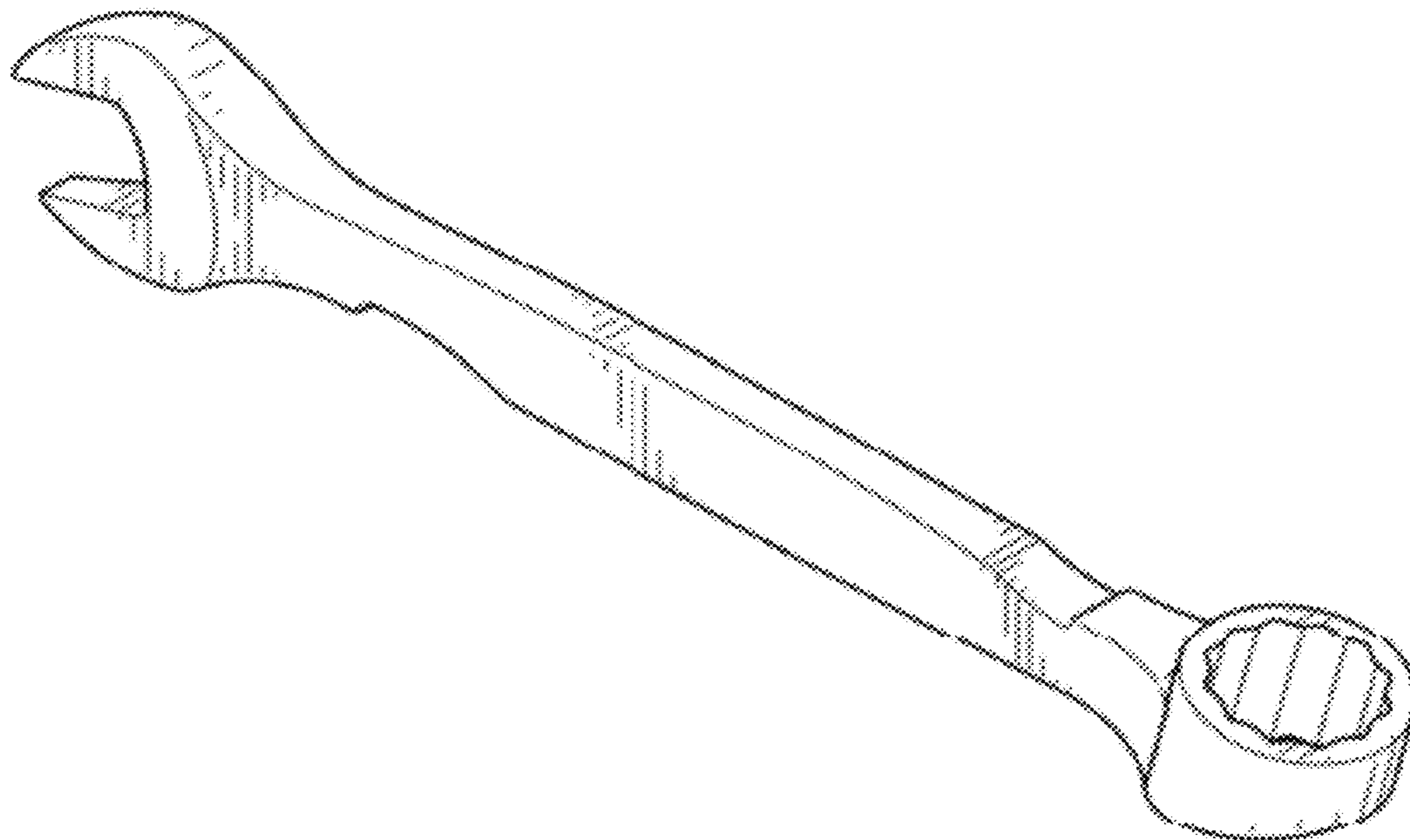
(57) **CLAIM**

The ornamental design for a wrench, as shown.

DESCRIPTION

FIG. 1 is a perspective view of a wrench showing my new design;
FIG. 2 is another perspective view thereof;
FIG. 3 is a front view thereof;
FIG. 4 is a rear view thereof;
FIG. 5 is a left side view thereof;
FIG. 6 is a right side view thereof;
FIG. 7 is a top view thereof; and,
FIG. 8 is a bottom view thereof.

1 Claim, 5 Drawing Sheets



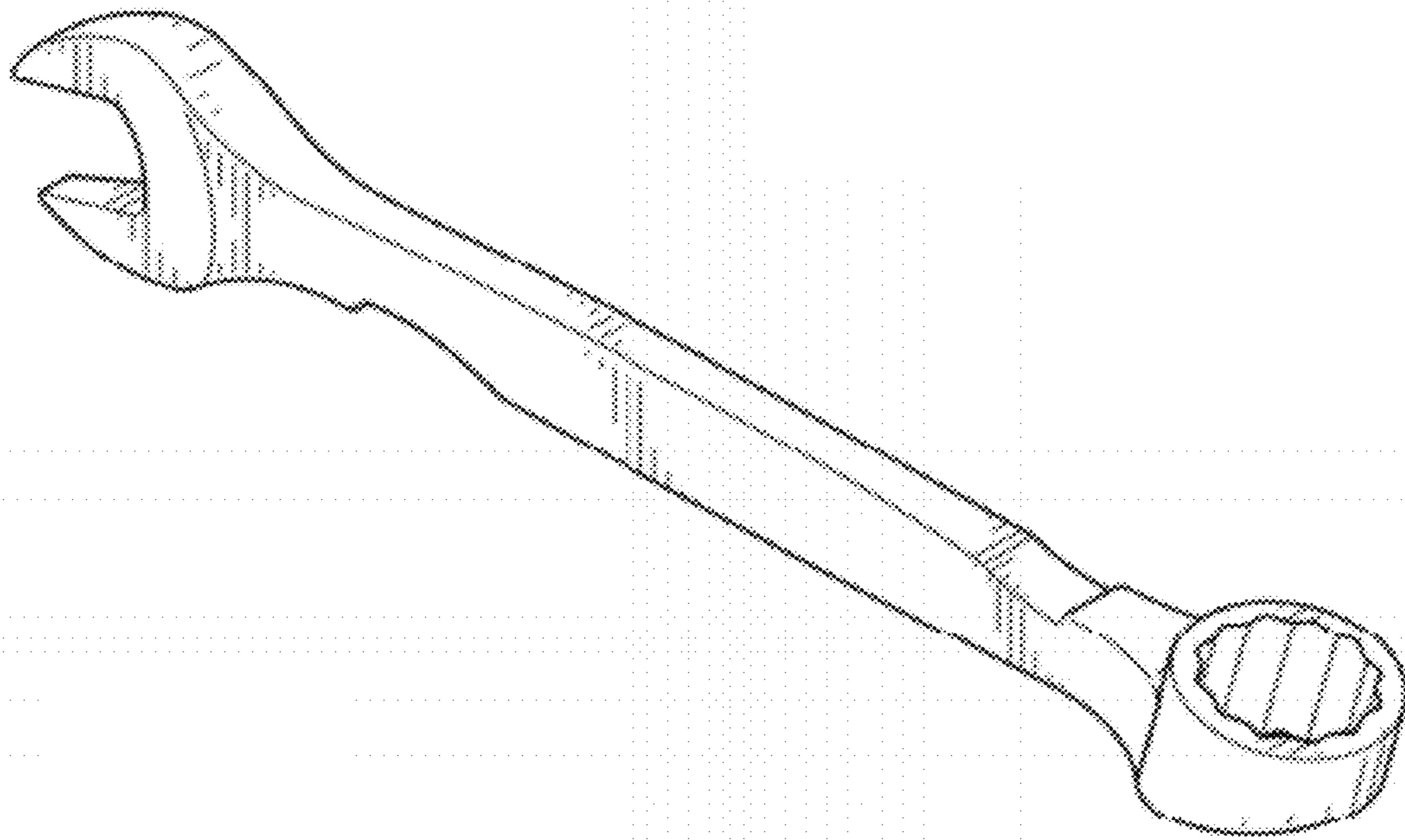


Fig. 1

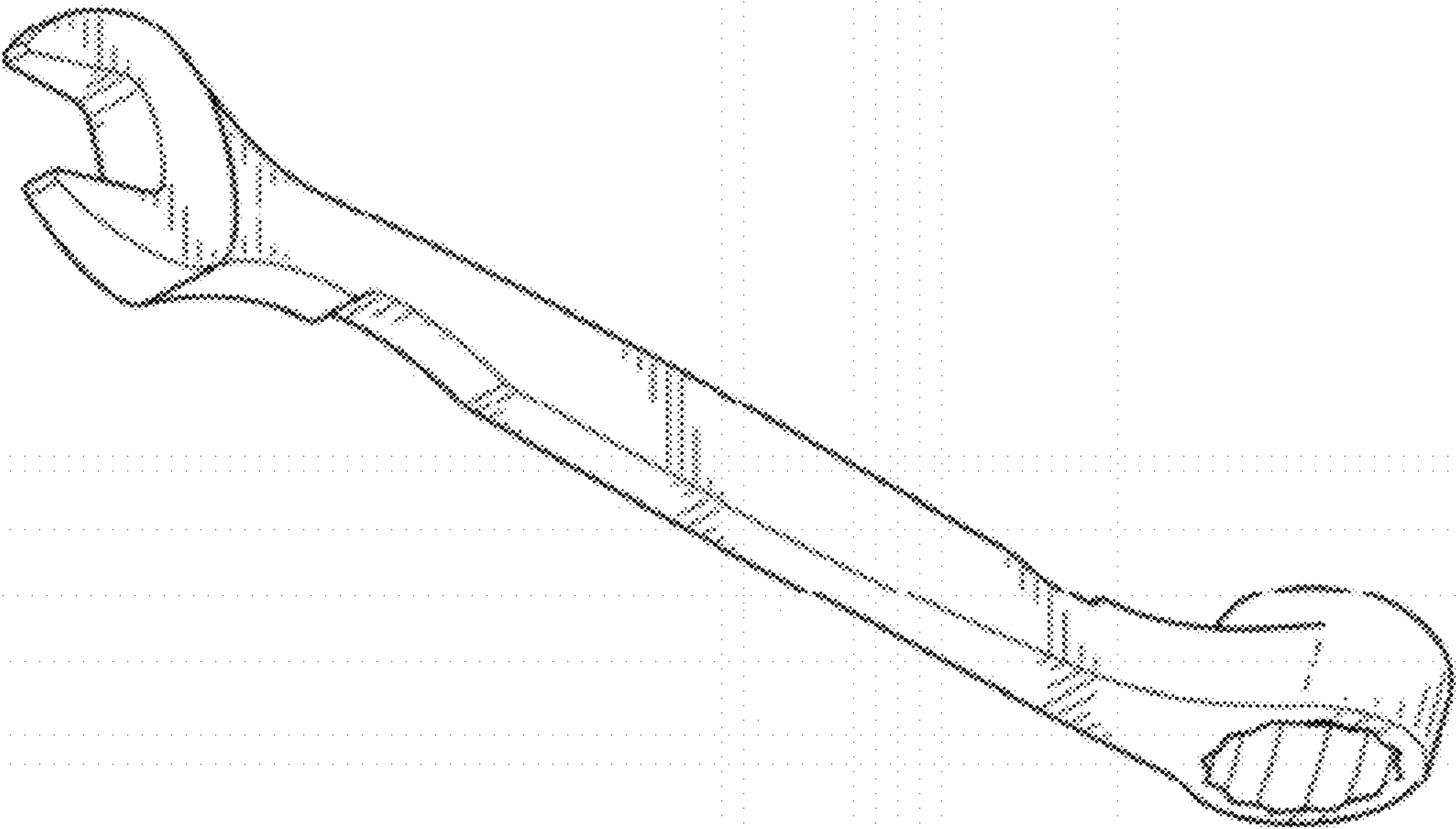


Fig. 2

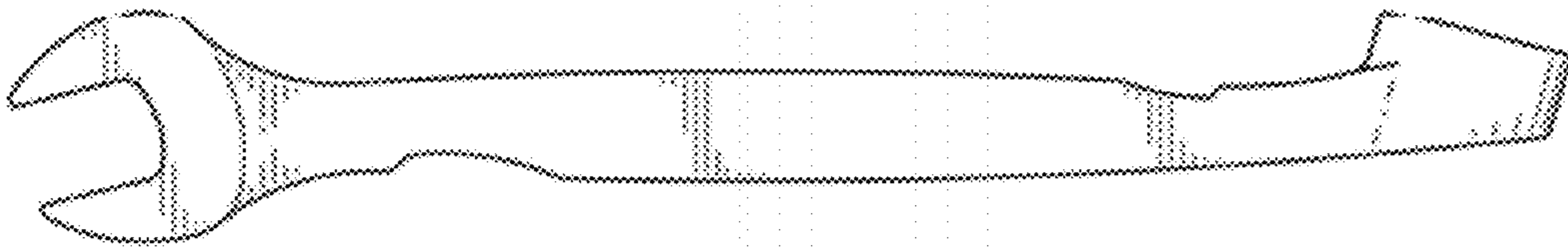


Fig. 3

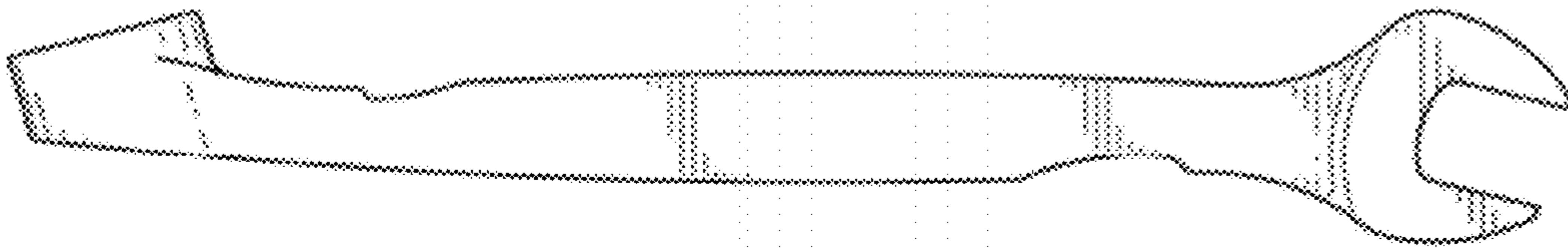


Fig. 4

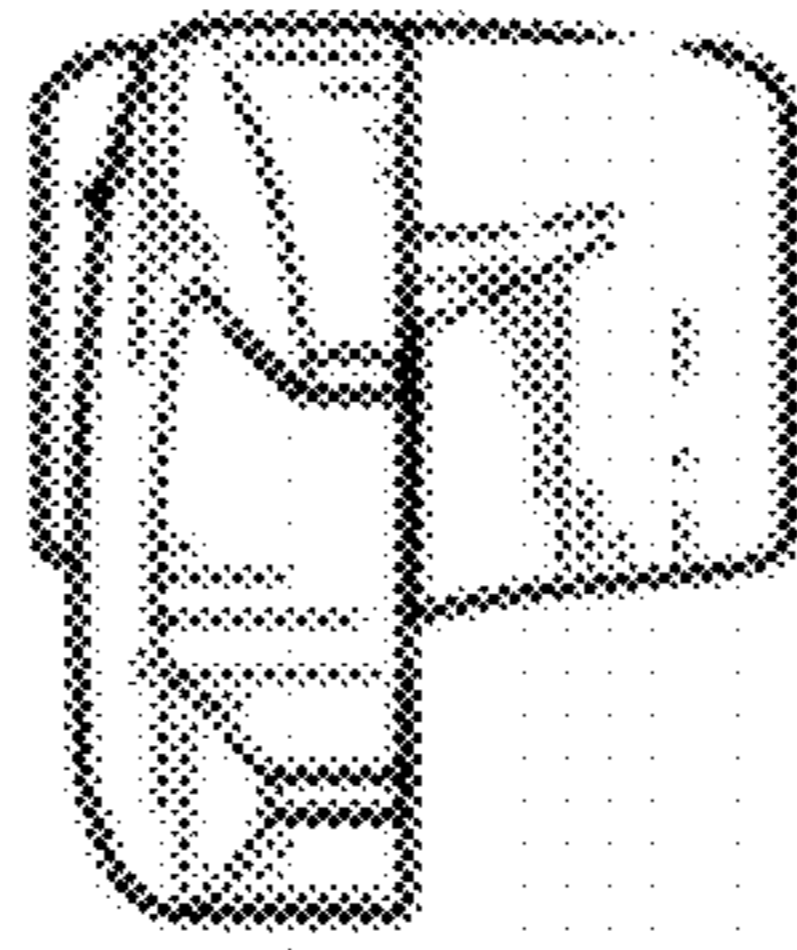


Fig. 5

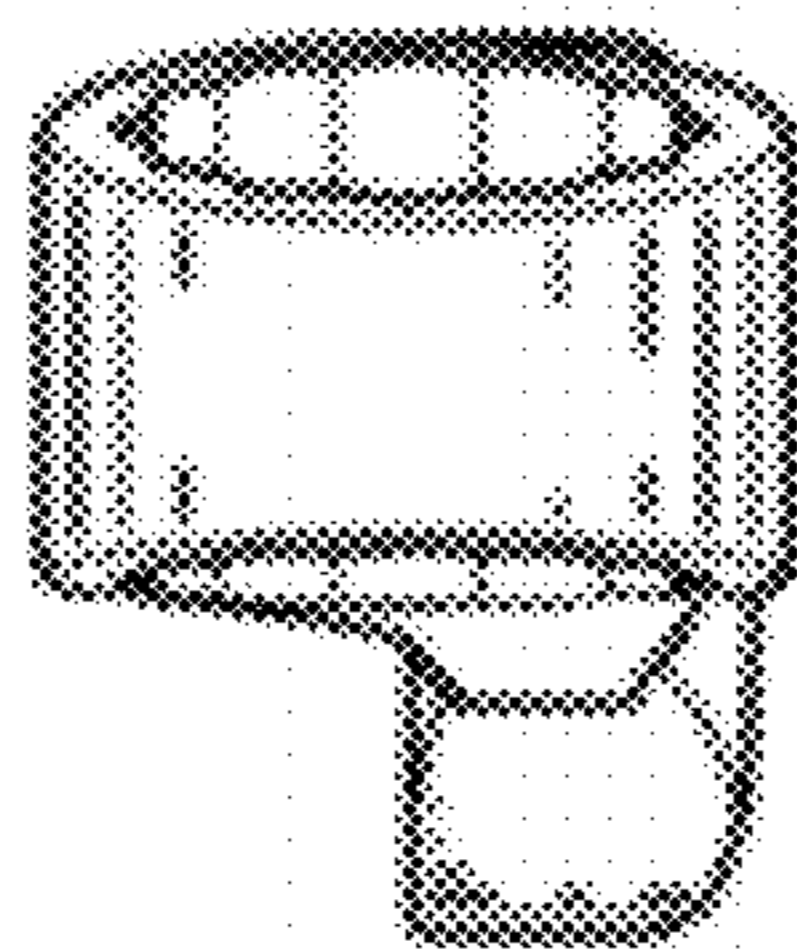


Fig. 6

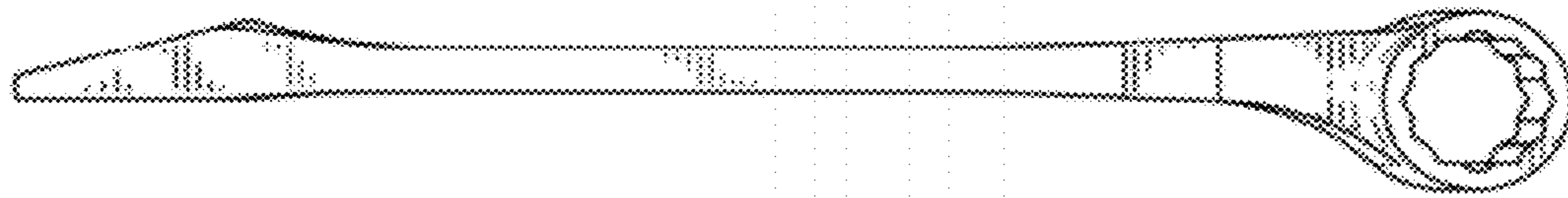


Fig. 7

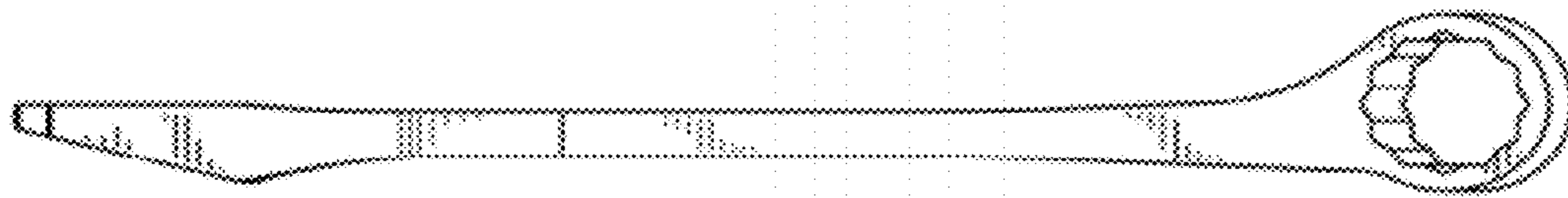


Fig. 8