

US00D672214S

(12) **United States Design Patent**  
**Zemel**

(10) **Patent No.:** **US D672,214 S**  
(45) **Date of Patent:** **\*\* Dec. 11, 2012**

(54) **FLEXIBLE SKEWER**

(75) Inventor: **Marc Zemel**, Old Bethpage, NY (US)

(73) Assignee: **Mr. Bar-B-Q, Inc.**, Old Bethpage, NY (US)

(\*\*) Term: **14 Years**

(21) Appl. No.: **29/376,978**

(22) Filed: **Oct. 15, 2010**

(51) **LOC (9) Cl.** ..... **07-04**

(52) **U.S. Cl.** ..... **D7/683**

(58) **Field of Classification Search** ..... D7/683,  
D7/669, 368, 601, 688, 690; D8/14, 16;  
16/110.1, 430, 431; 99/415-419, 345, 426,  
99/441, 421 R, 425, 421 V, 421 A

See application file for complete search history.

(56) **References Cited**

**U.S. PATENT DOCUMENTS**

968,968	A *	8/1910	Oblosser	294/55.5
2,760,700	A	8/1956	Lien	
3,374,570	A *	3/1968	Lenzen	43/53.5
4,176,592	A *	12/1979	Doyle, Jr.	99/419
D304,539	S *	11/1989	Johansson	D7/683
D319,949	S *	9/1991	Pollack	D7/683
5,274,948	A *	1/1994	Harrison et al.	43/53.5
5,482,195	A	1/1996	Hobbs	
5,881,490	A	3/1999	Richardson	
D411,721	S *	6/1999	Fielding et al.	D7/683
D512,885	S *	12/2005	Zemel	D7/683
D513,947	S *	1/2006	Zemel	D7/684
D519,331	S *	4/2006	Camp	D7/683
D574,674	S *	8/2008	Stewart et al.	D7/669
D585,248	S *	1/2009	Markwardt	D7/683
D657,207	S *	4/2012	Habig et al.	D7/683
2005/0200141	A1	9/2005	Jones	

**FOREIGN PATENT DOCUMENTS**

WO	WO 2005/091824	A2	10/2005
WO	WO 2005/091824	A3	10/2005

**OTHER PUBLICATIONS**

WIPO Preliminary Report on Patentability PCT/US2005/004887.  
Mar. 9, 2004.

FireWire. Flexible Grilling Skewer. Oct. 2010.  
Sur La Table: The Art and Soul of Cooking. www.surlatable.com.  
Oct. 6, 2010.  
Cypress Pacific Skewer Grilling Tool. www.acehardwareoutlet.com.  
Nov. 17, 2010.  
Sur La Table, The Art and Soul of Cooking. http://www.surlatable.com/...ls/outdoor+grilling/grilling+tools/flexible+skewers%2C+set+of+four++++.do?sortby=ourPick. Oct. 16, 2010. Web.

\* cited by examiner

*Primary Examiner* — Elizabeth J Oswecki  
(74) *Attorney, Agent, or Firm* — Kalow & Springut LLP

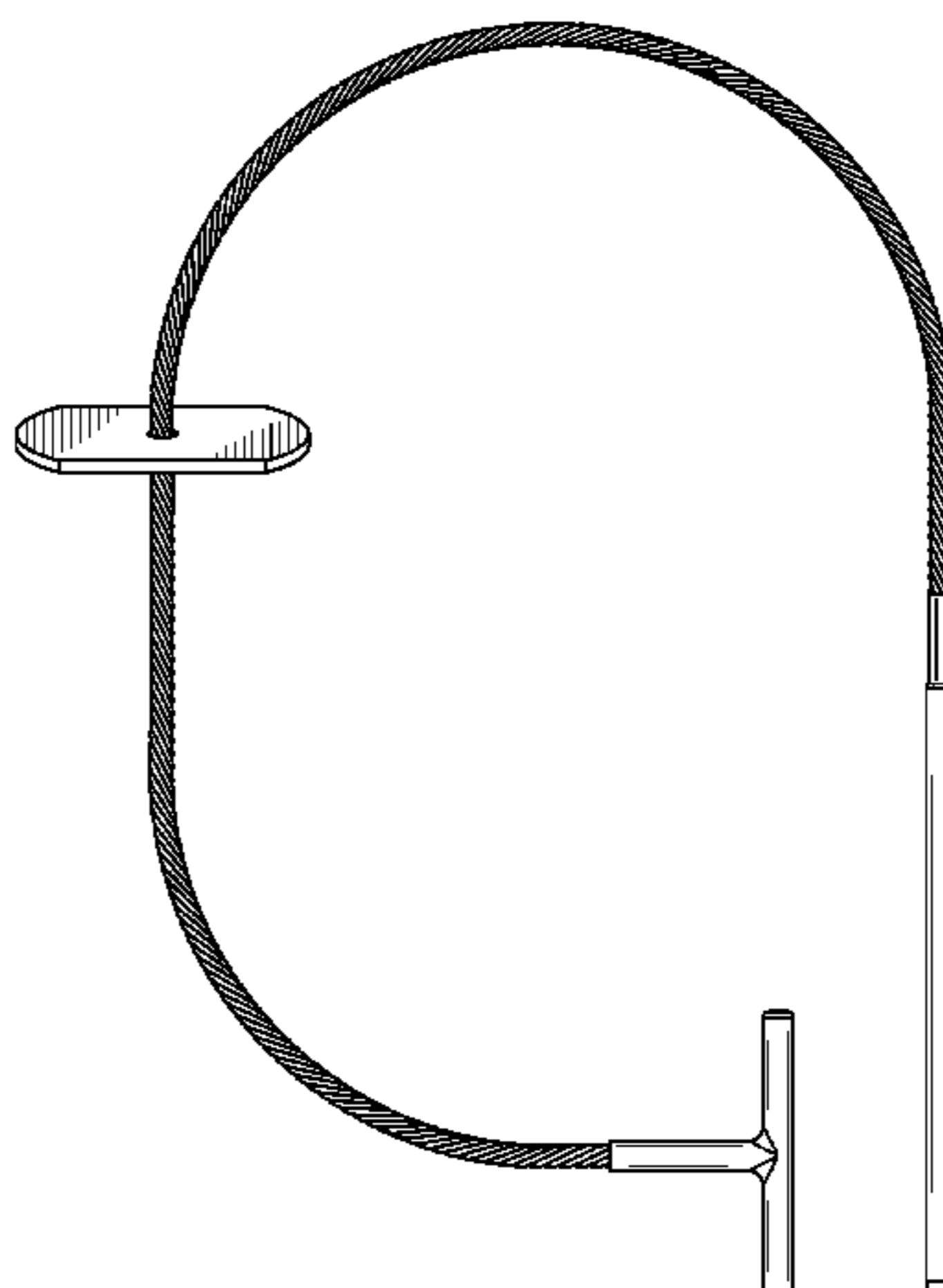
(57) **CLAIM**

The ornamental design for a flexible skewer, as shown and described.

**DESCRIPTION**

FIG. 1 is a first embodiment of a top view of a flexible skewer showing my new design;  
FIG. 2 is a bottom plan view thereof;  
FIG. 3 is a left side view thereof;  
FIG. 4 is a right side view thereof;  
FIG. 5 is a rear view thereof;  
FIG. 6 is a front view thereof;  
FIG. 7 is a perspective view thereof;  
FIG. 8 is a perspective view thereof shown in a used condition on a barbeque grill, the barbeque grill shown in broken lines forming no part of the claimed design;  
FIG. 9 is a second embodiment of a top view of a flexible skewer showing my new design;  
FIG. 10 is a bottom view thereof;  
FIG. 11 is a left side view thereof;  
FIG. 12 is a right side view thereof;  
FIG. 13 is a rear view thereof;  
FIG. 14 is a front view thereof;  
FIG. 15 is a perspective view thereof; and,  
FIG. 16 is a third embodiment of a perspective view of a flexible skewer showing my new design.  
The portion of the rope in broken lines in FIGS. 9-16 is shown broken away to indicate that no particular length is claimed.

**1 Claim, 12 Drawing Sheets**



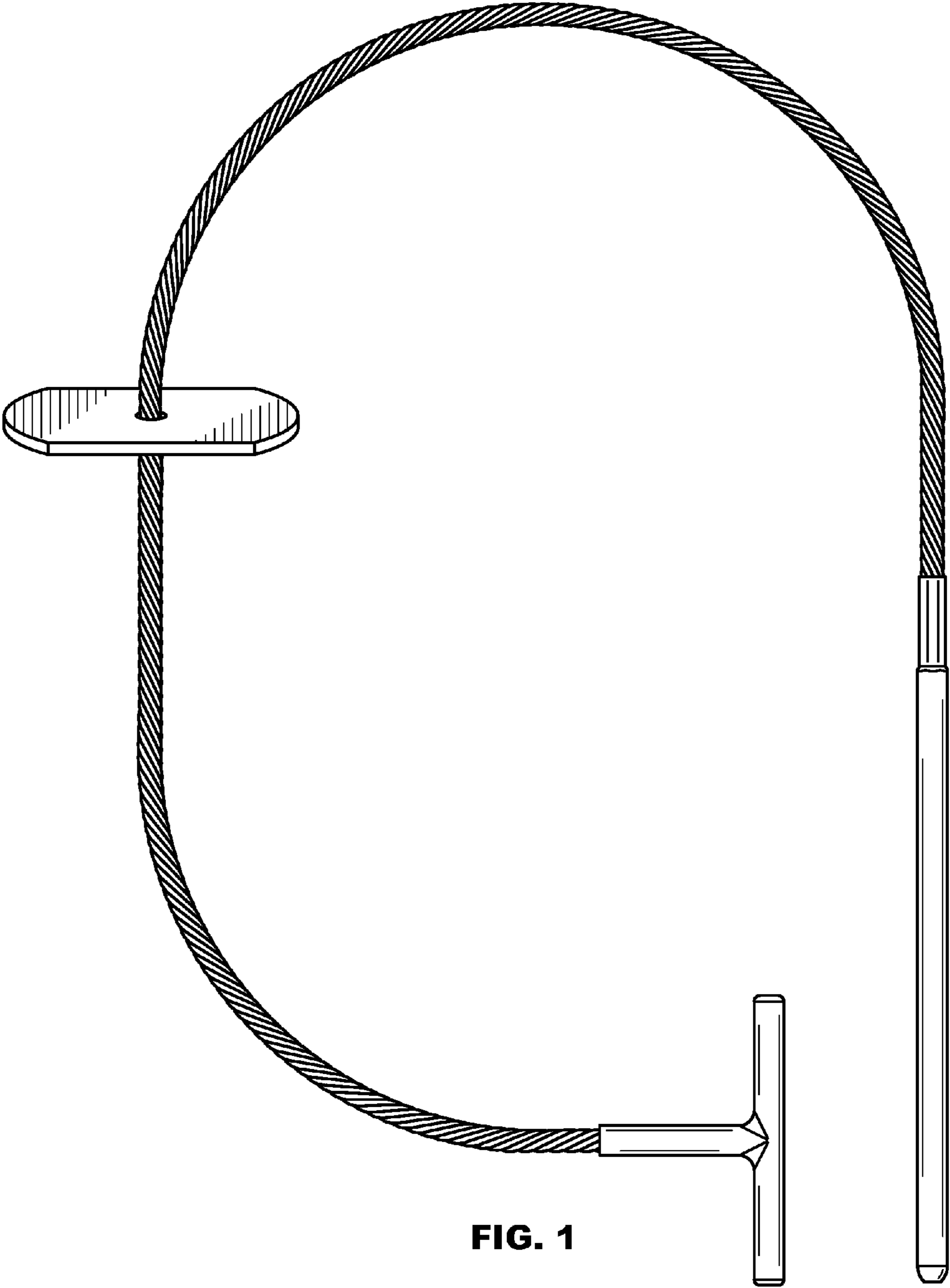
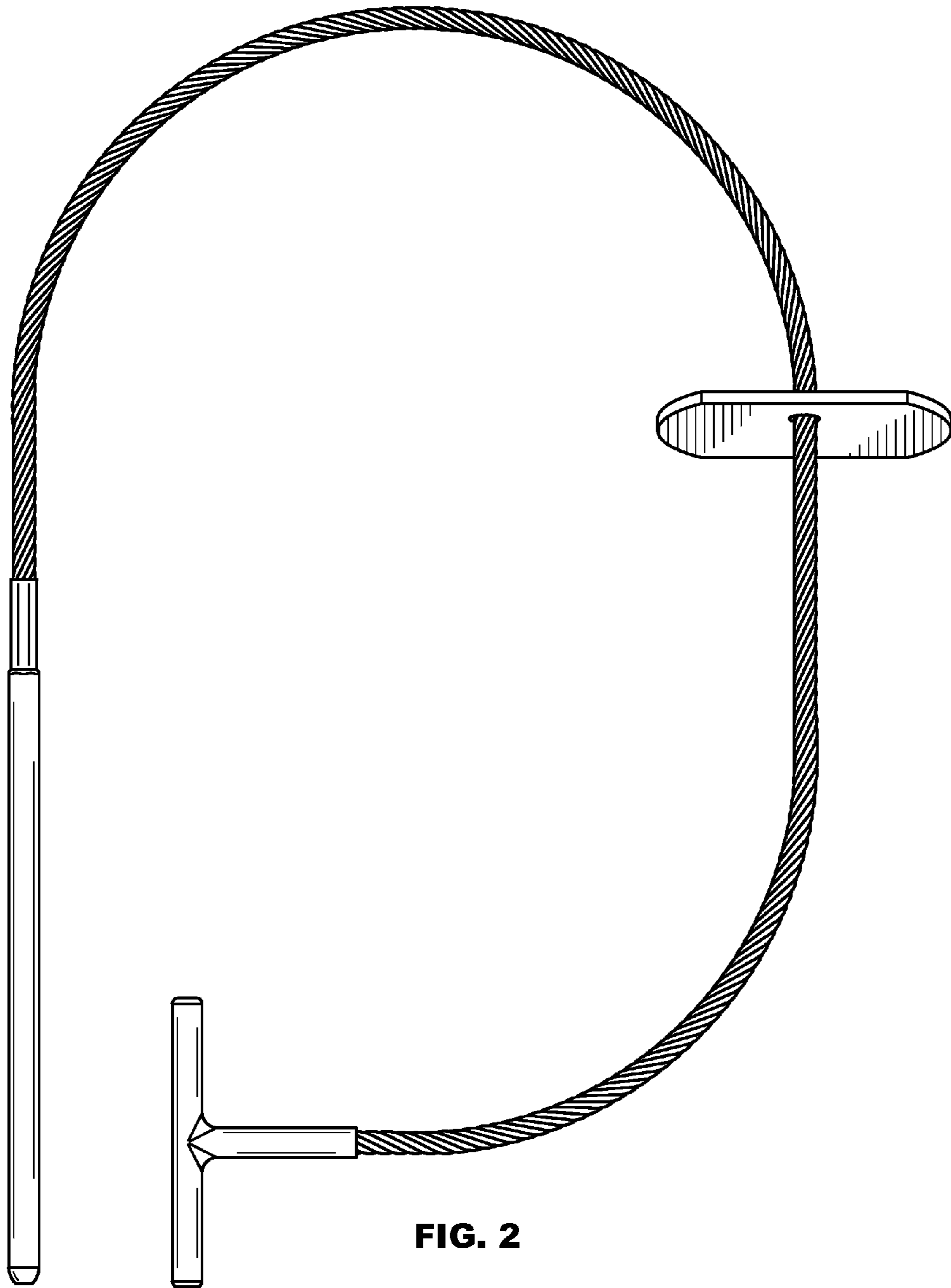
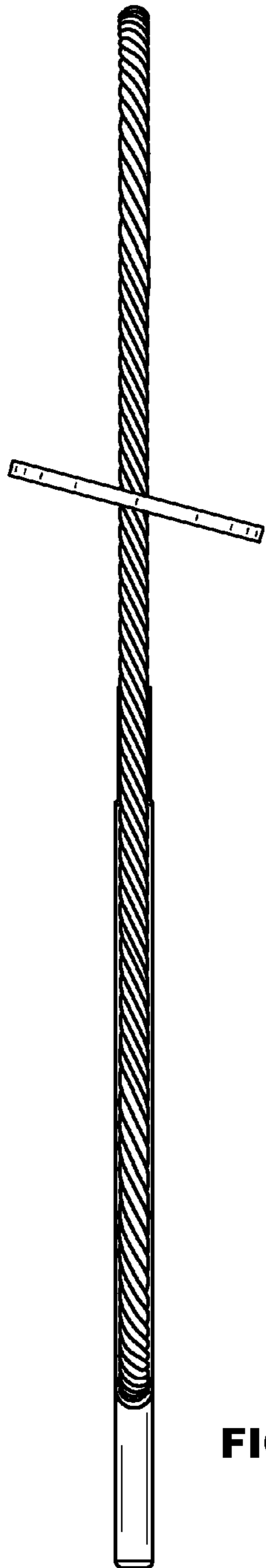
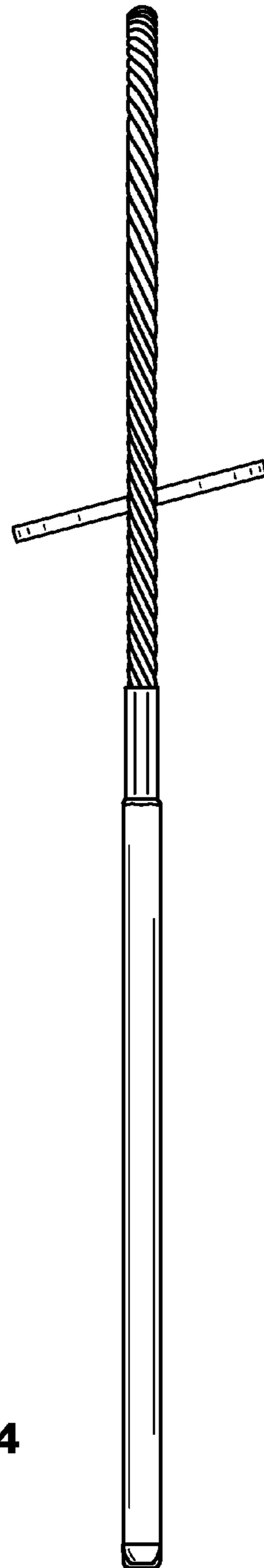


FIG. 1





**FIG. 3**



**FIG. 4**

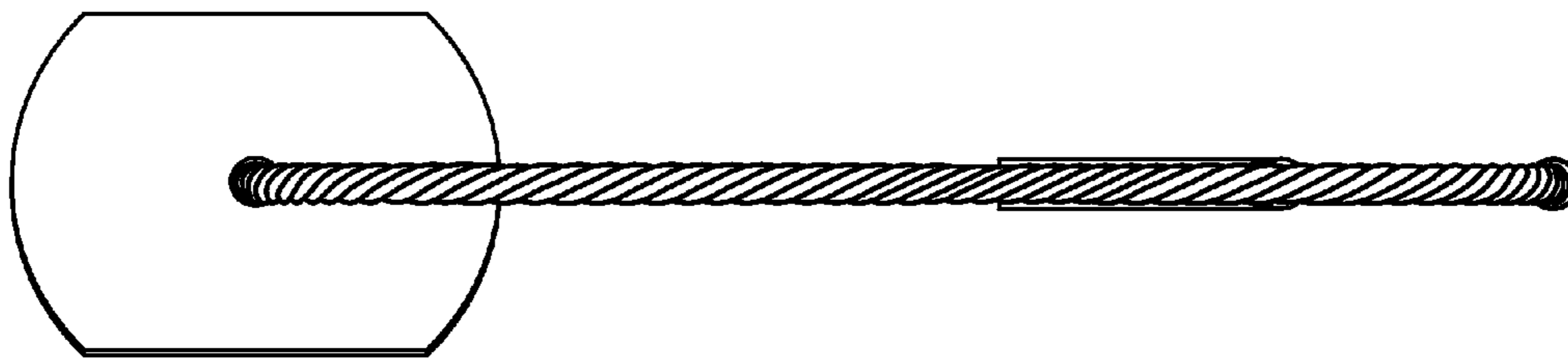


FIG. 5

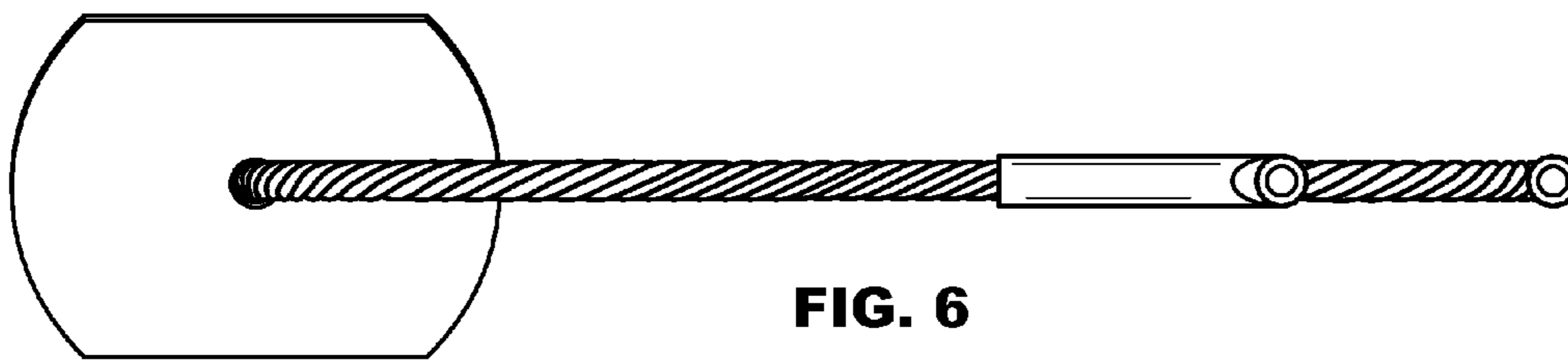


FIG. 6

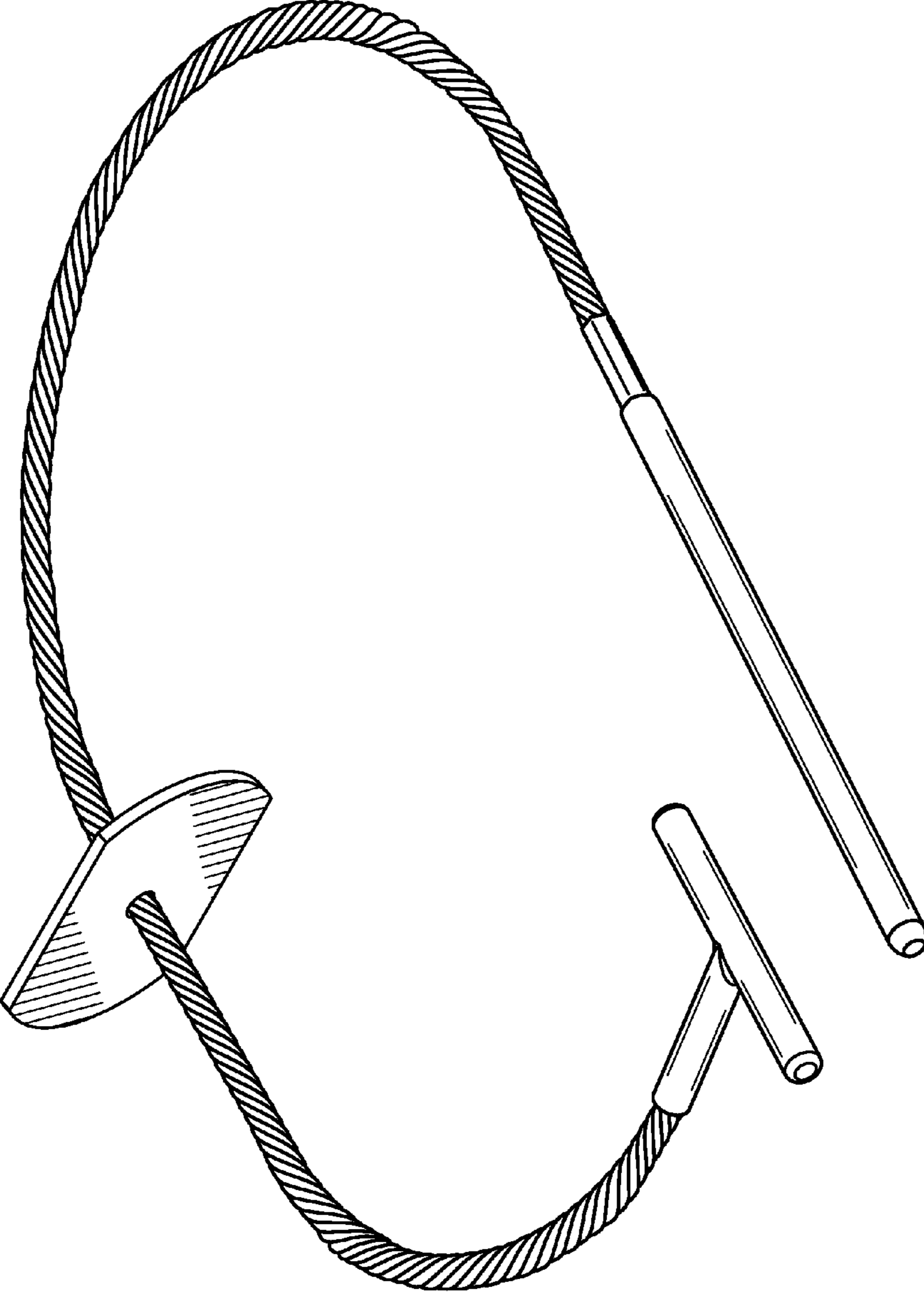


FIG. 7

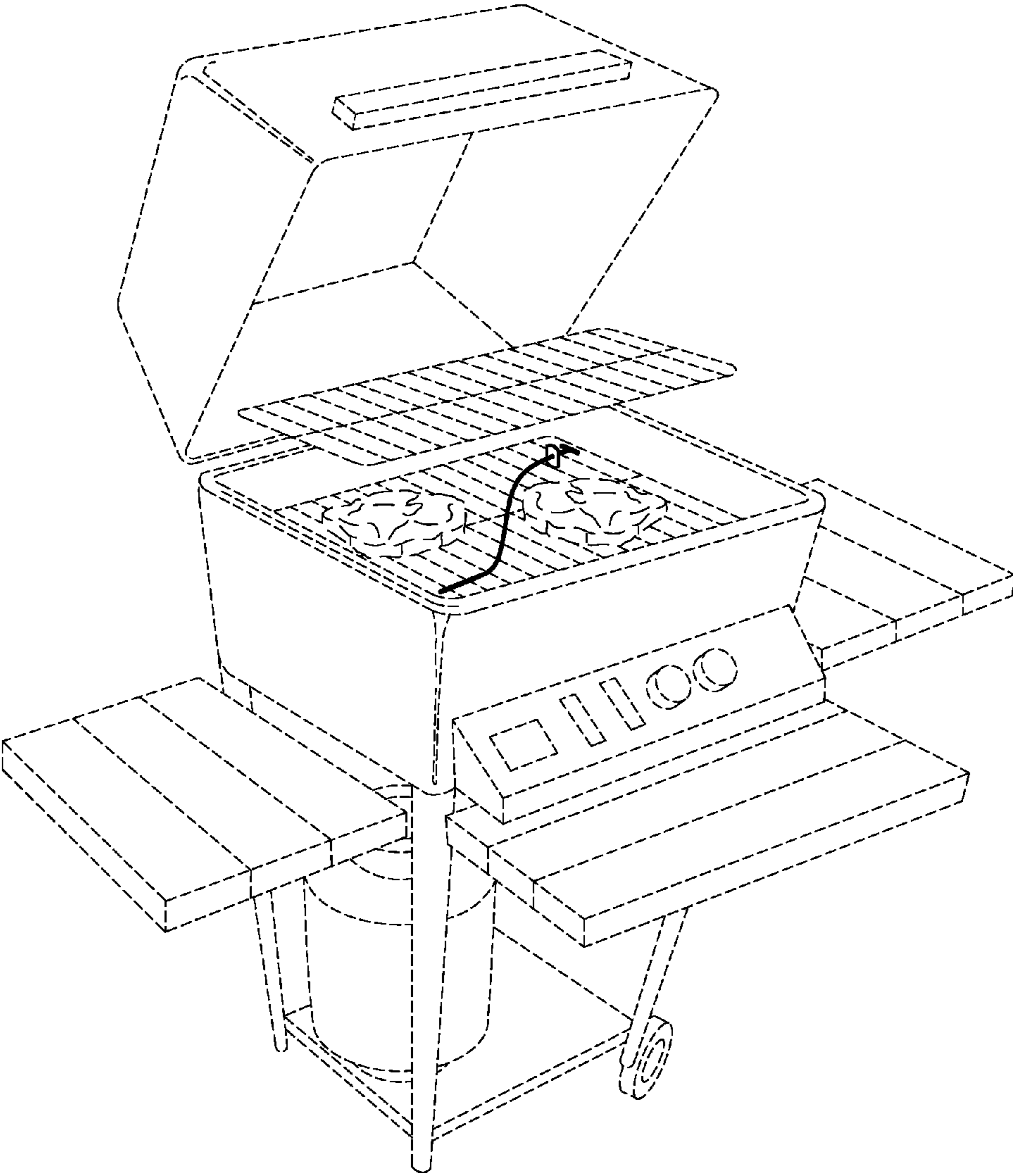


FIG. 8

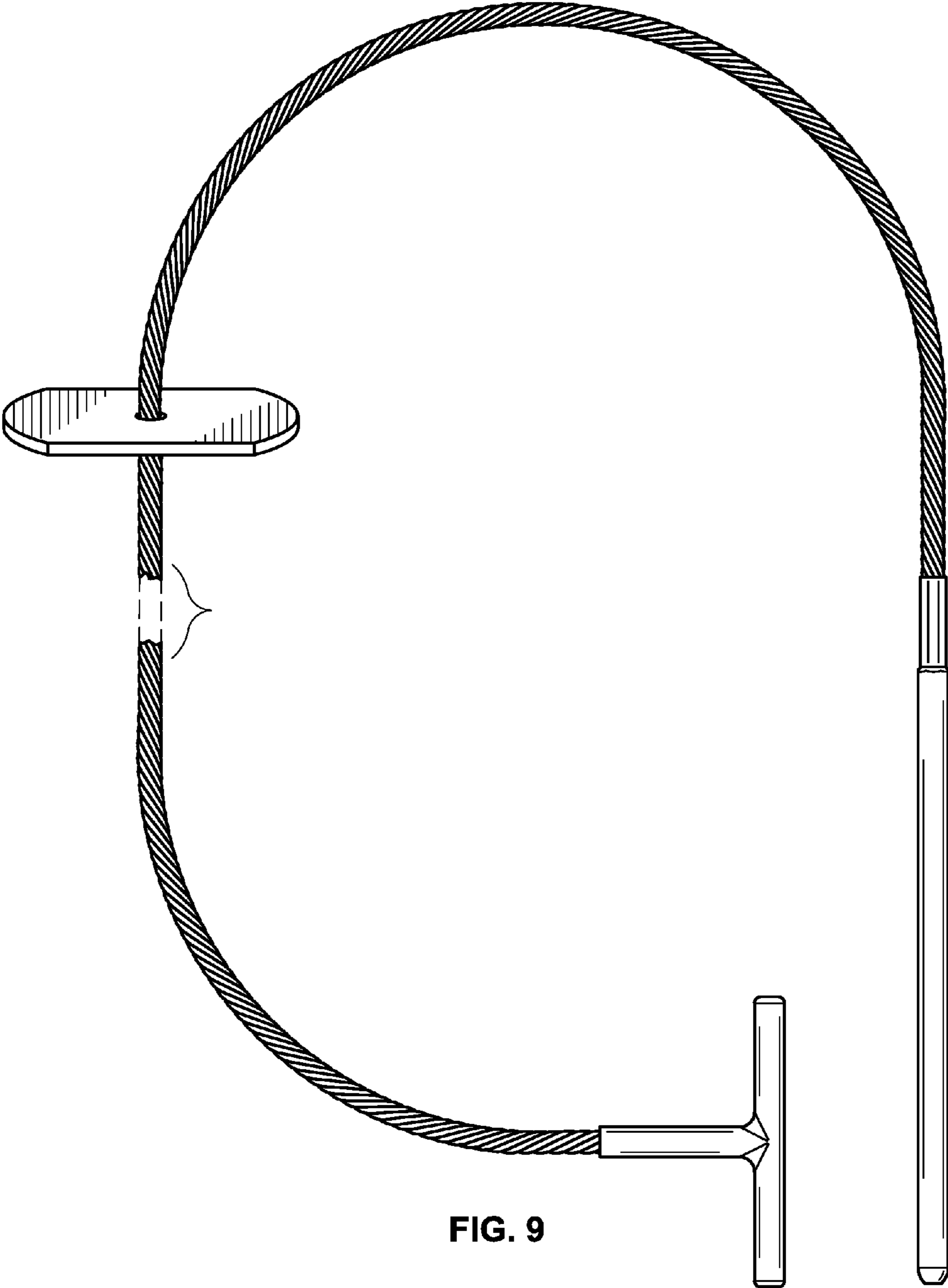


FIG. 9



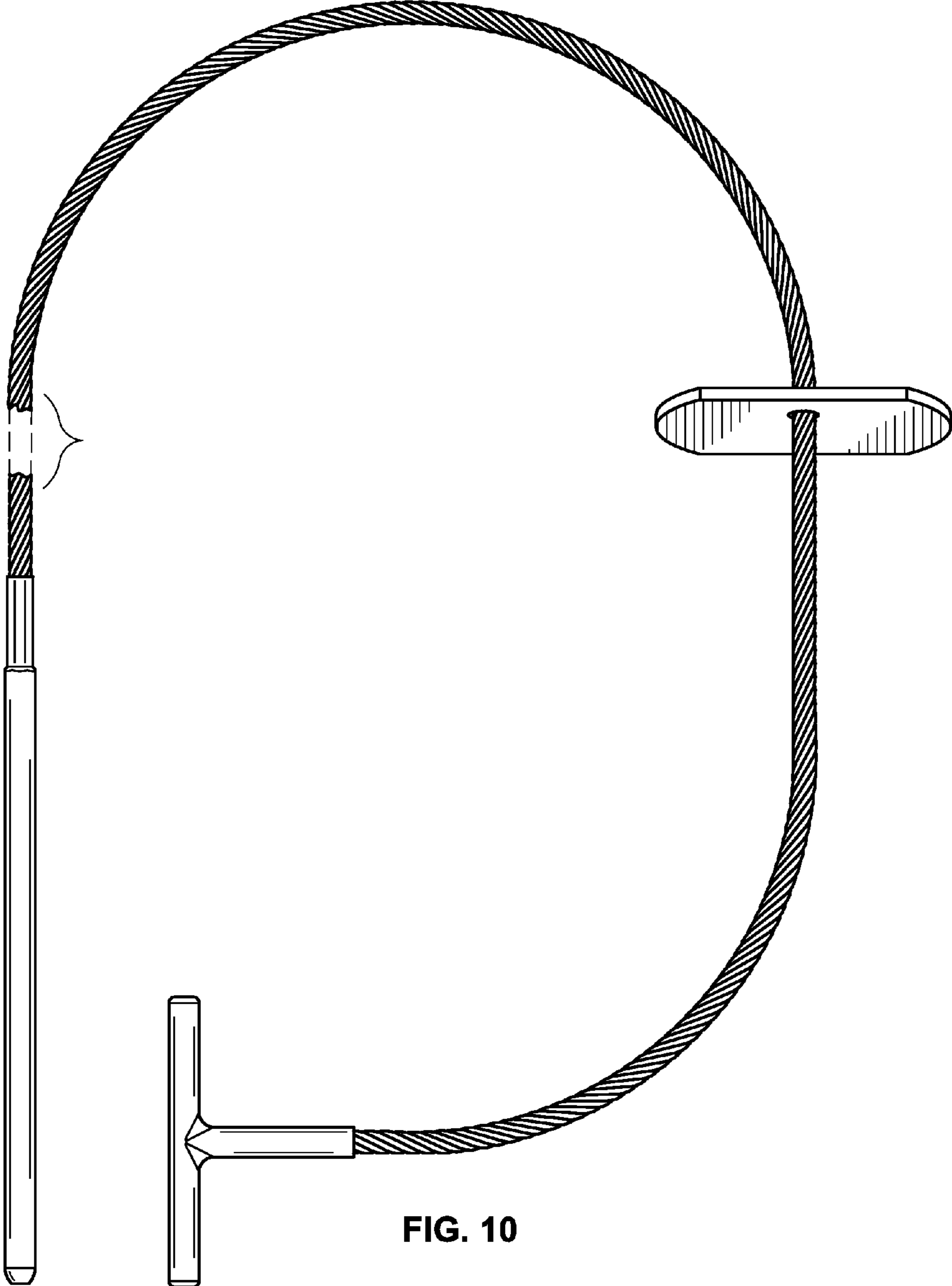


FIG. 10

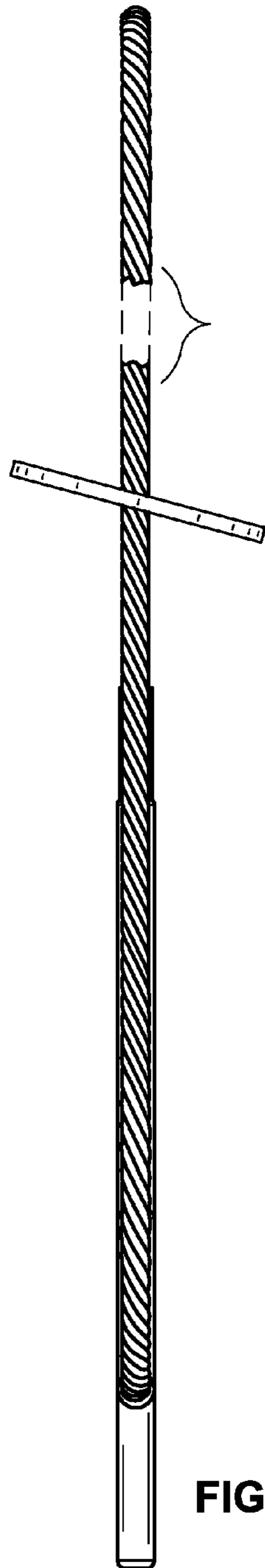


FIG. 11

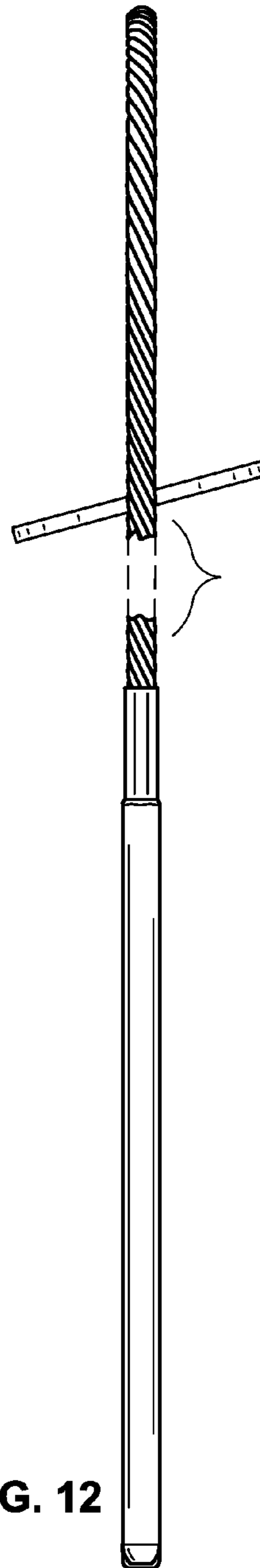
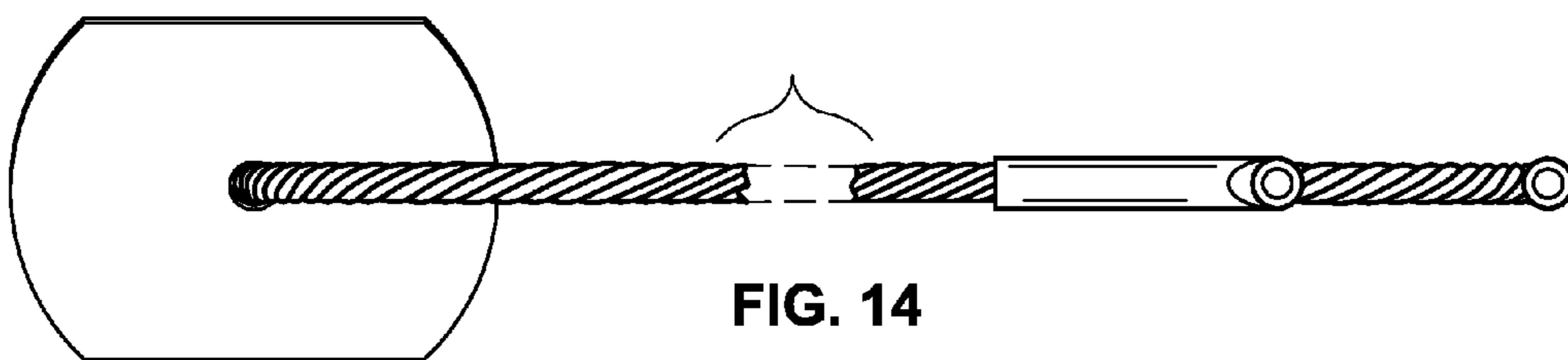
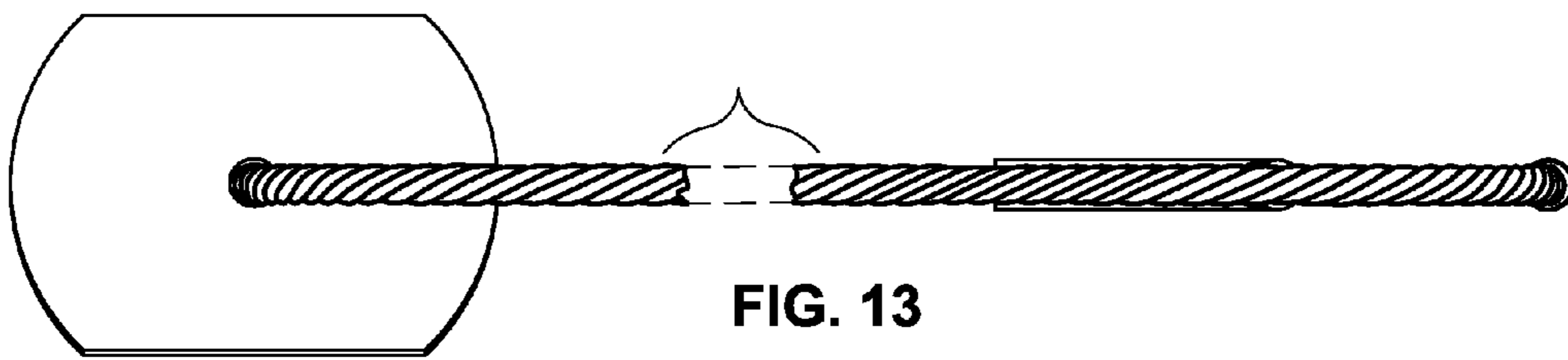


FIG. 12



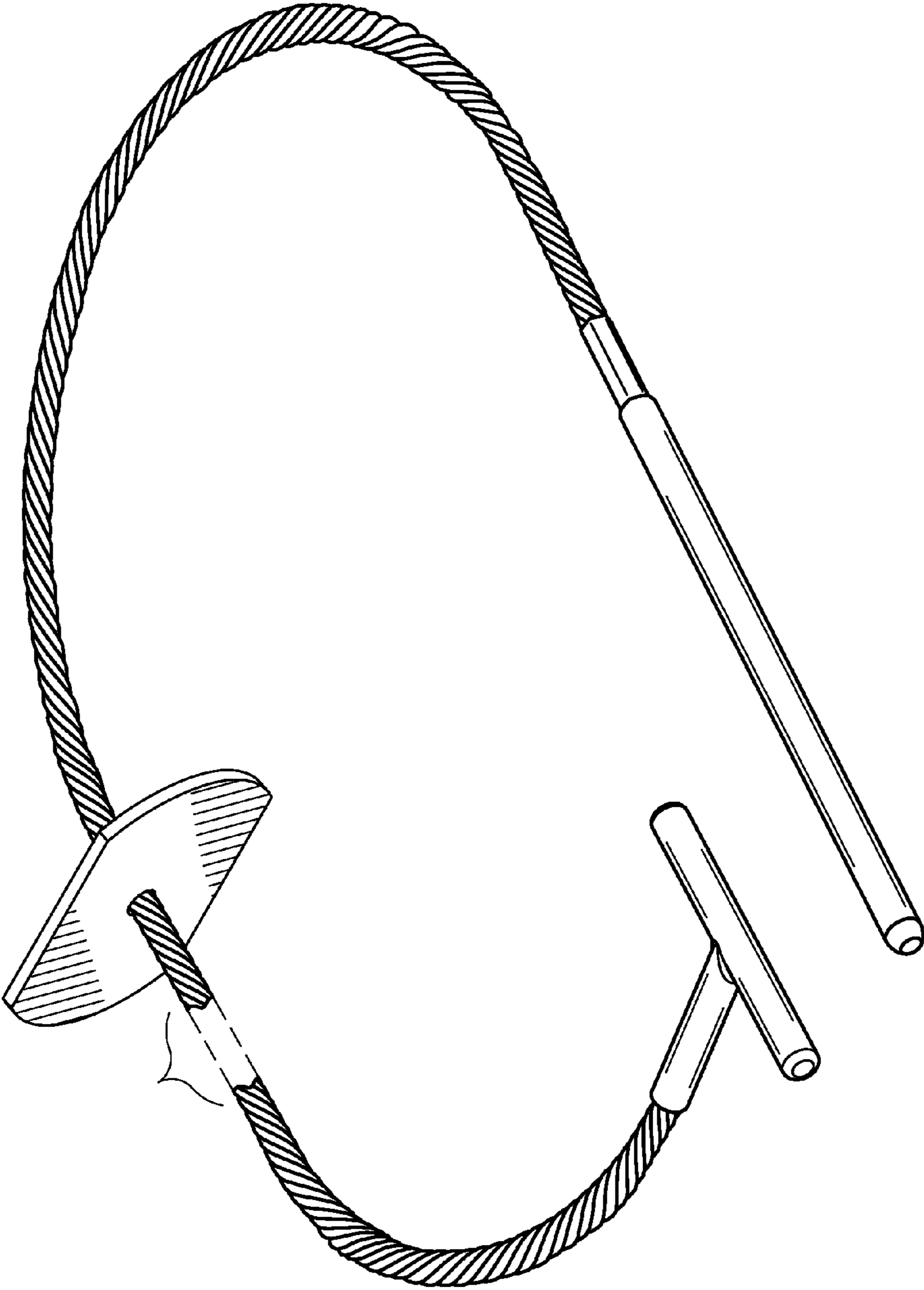


FIG. 15

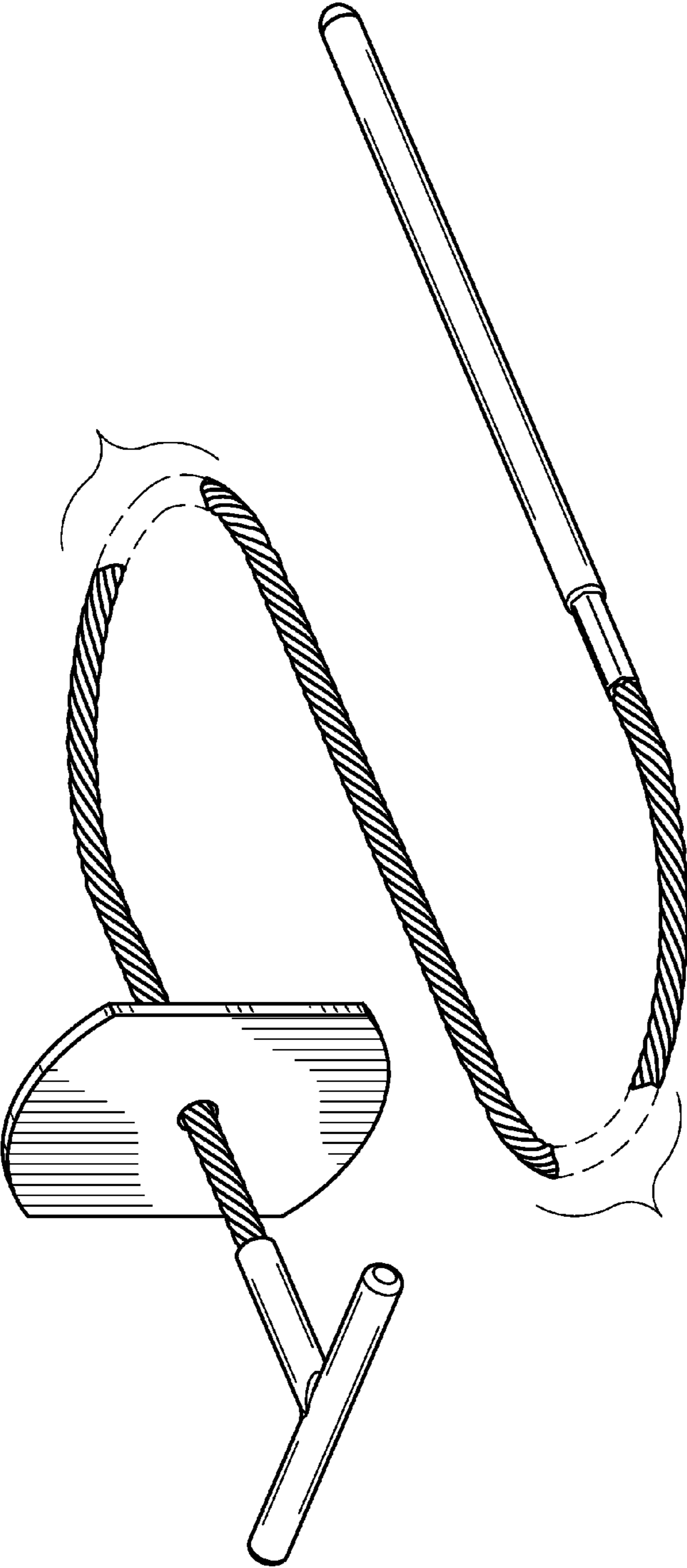


FIG. 16