



US00D672213S

(12) **United States Design Patent**
Abrams

(10) **Patent No.:** **US D672,213 S**

(45) **Date of Patent:** **** Dec. 11, 2012**

(54) **DECORATIVE FOOD CUTTER**

(76) Inventor: **Harold Abrams**, Montreal (CA)

(**) Term: **14 Years**

(21) Appl. No.: **29/395,098**

(22) Filed: **Nov. 23, 2011**

(51) **LOC (9) Cl.** **07-04**

(52) **U.S. Cl.** **D7/675**

(58) **Field of Classification Search** D7/672-677;
30/301-306, 355, 312, 314-316, 299, 114,
30/124, 130, 337, 320, 113.1, 123.5; 249/117,
249/135; 99/556, 538, 509, 537, 547, 552
See application file for complete search history.

(56) **References Cited**

U.S. PATENT DOCUMENTS

4,245,973 A * 1/1981 Greaney 249/117
D597,801 S * 8/2009 Goode et al. D7/675

D639,121 S * 6/2011 Jowett D7/673
2004/0187317 A1 * 9/2004 Wood 30/315
2009/0282990 A1 * 11/2009 Farnum et al. 99/537

* cited by examiner

Primary Examiner — Terry Wallace

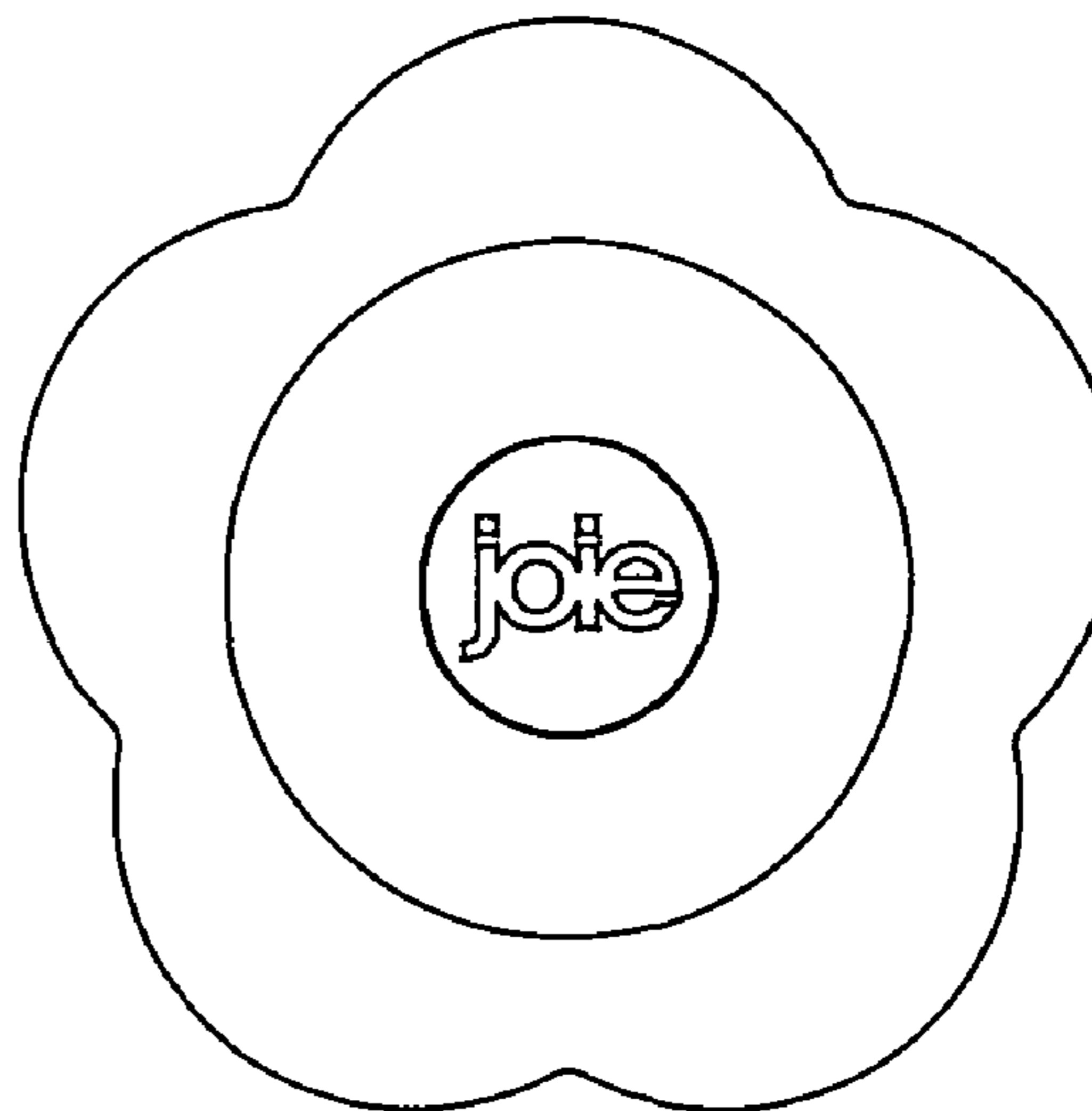
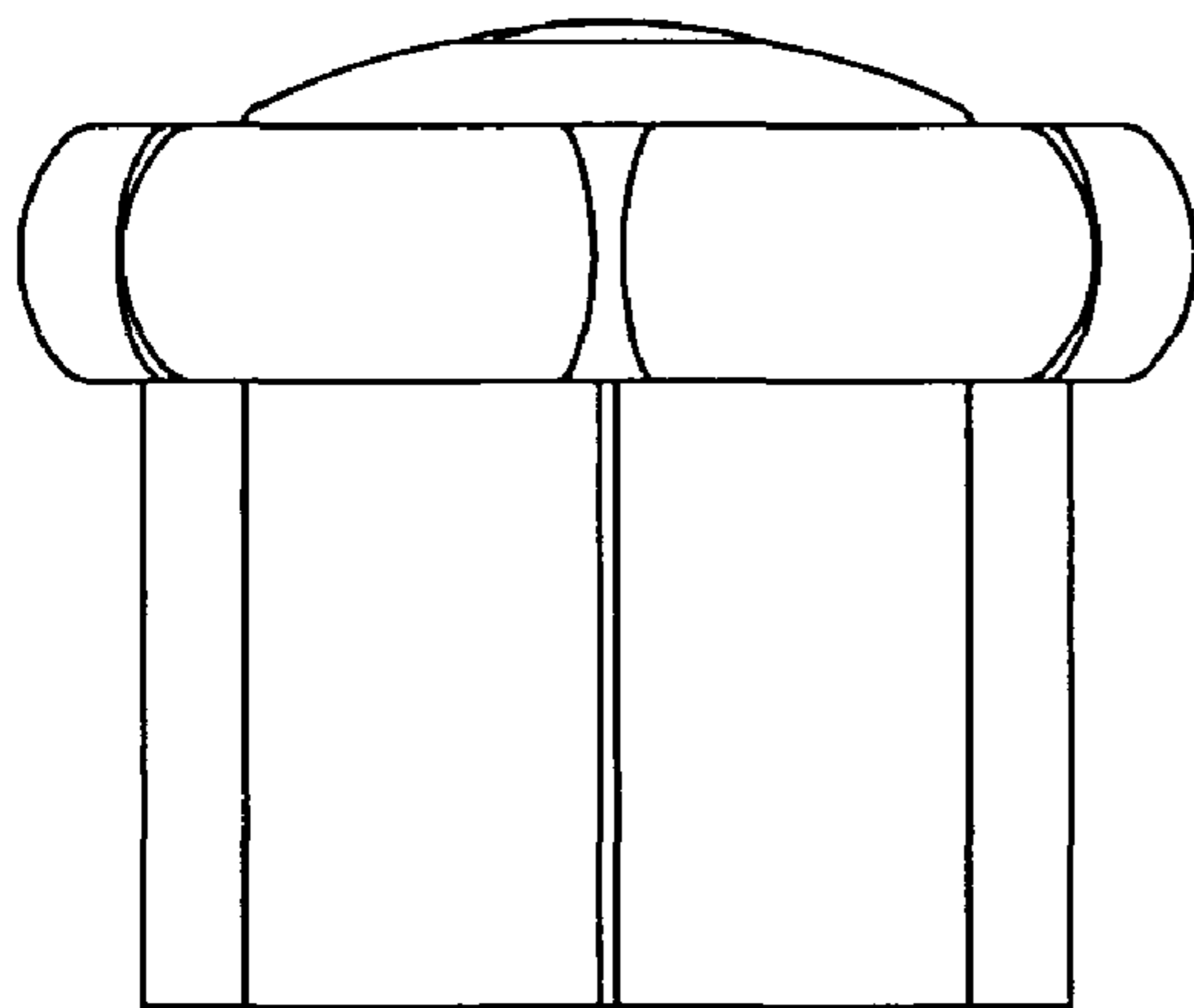
(57) **CLAIM**

The ornamental design for a decorative food cutter, as shown.

DESCRIPTION

FIG. 1 is a front elevational view of a decorative food cutter showing my new design;
FIG. 2 is a left side elevational view thereof;
FIG. 3 is a rear elevational view thereof;
FIG. 4 is a top plan view thereof; and,
FIG. 5 is a bottom plan view thereof.

1 Claim, 1 Drawing Sheet



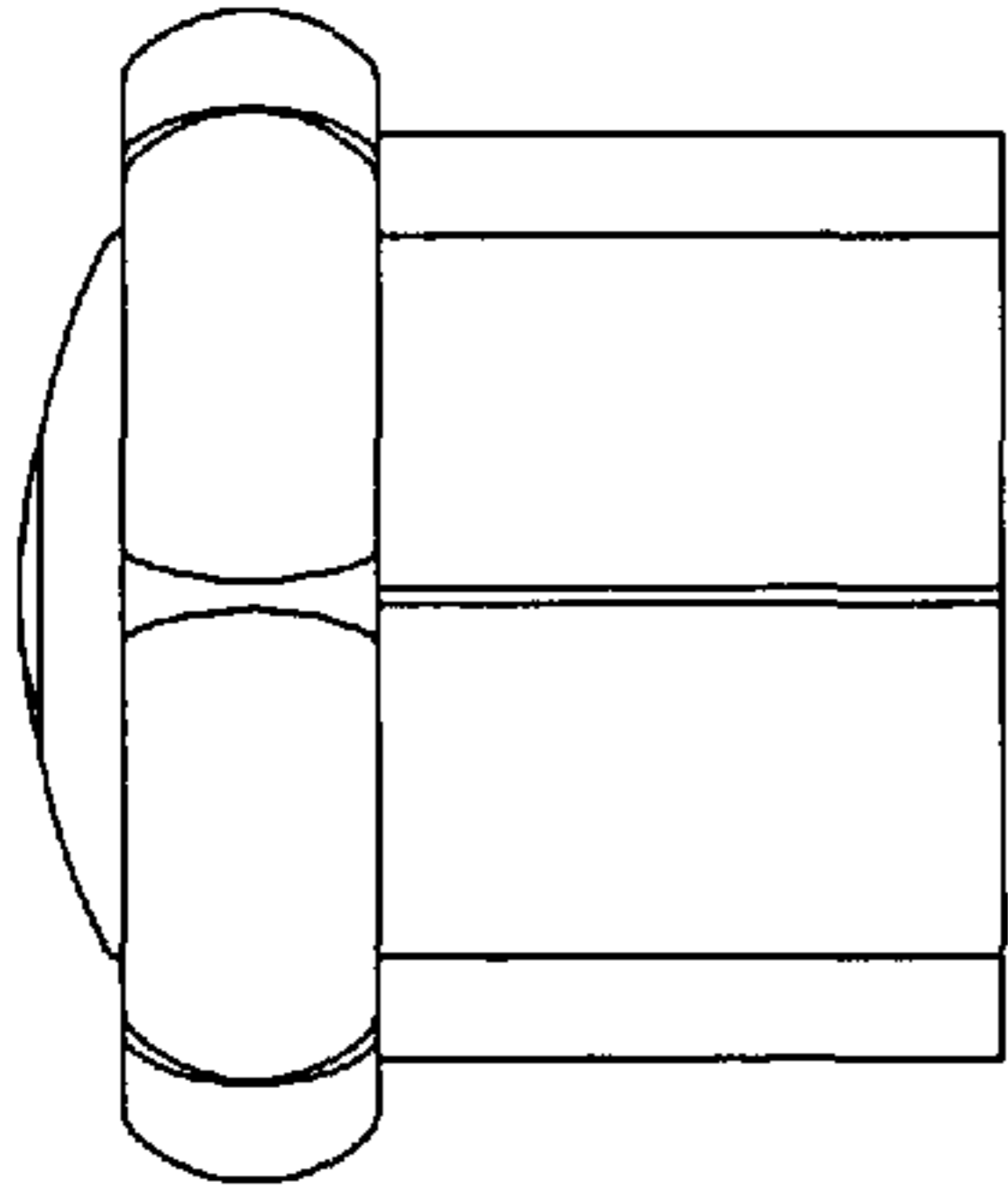


FIG. 1

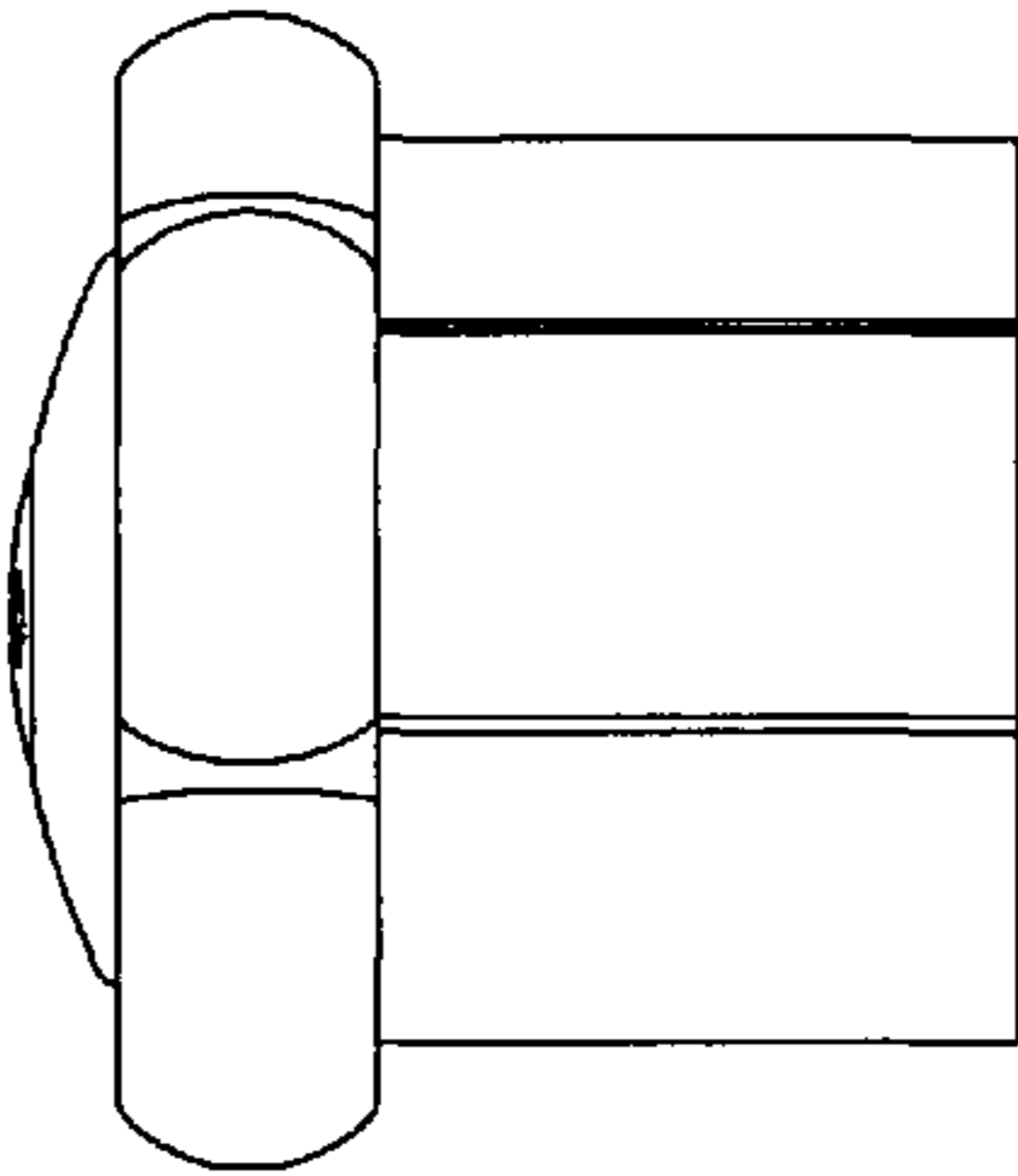


FIG. 2

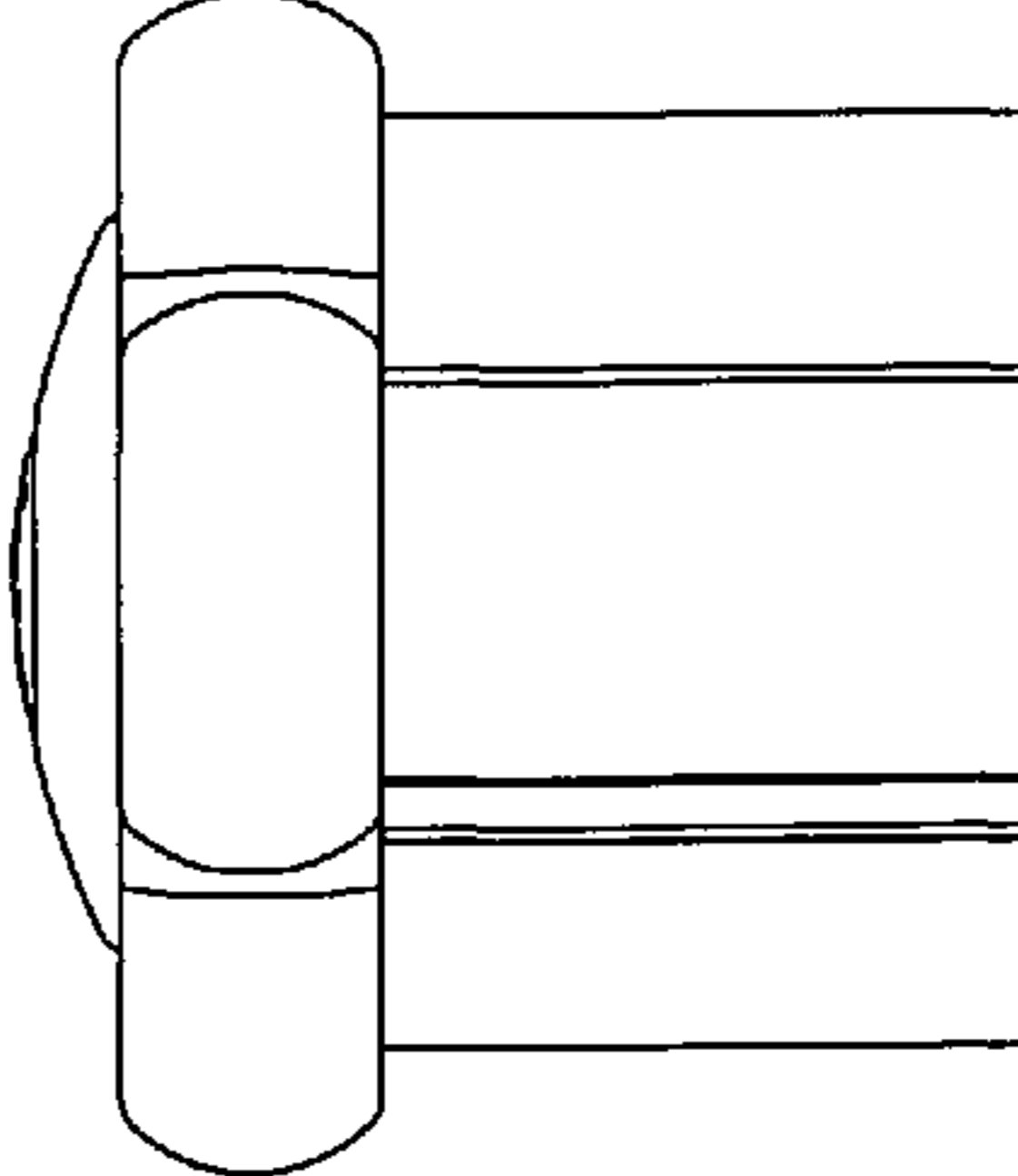


FIG. 3

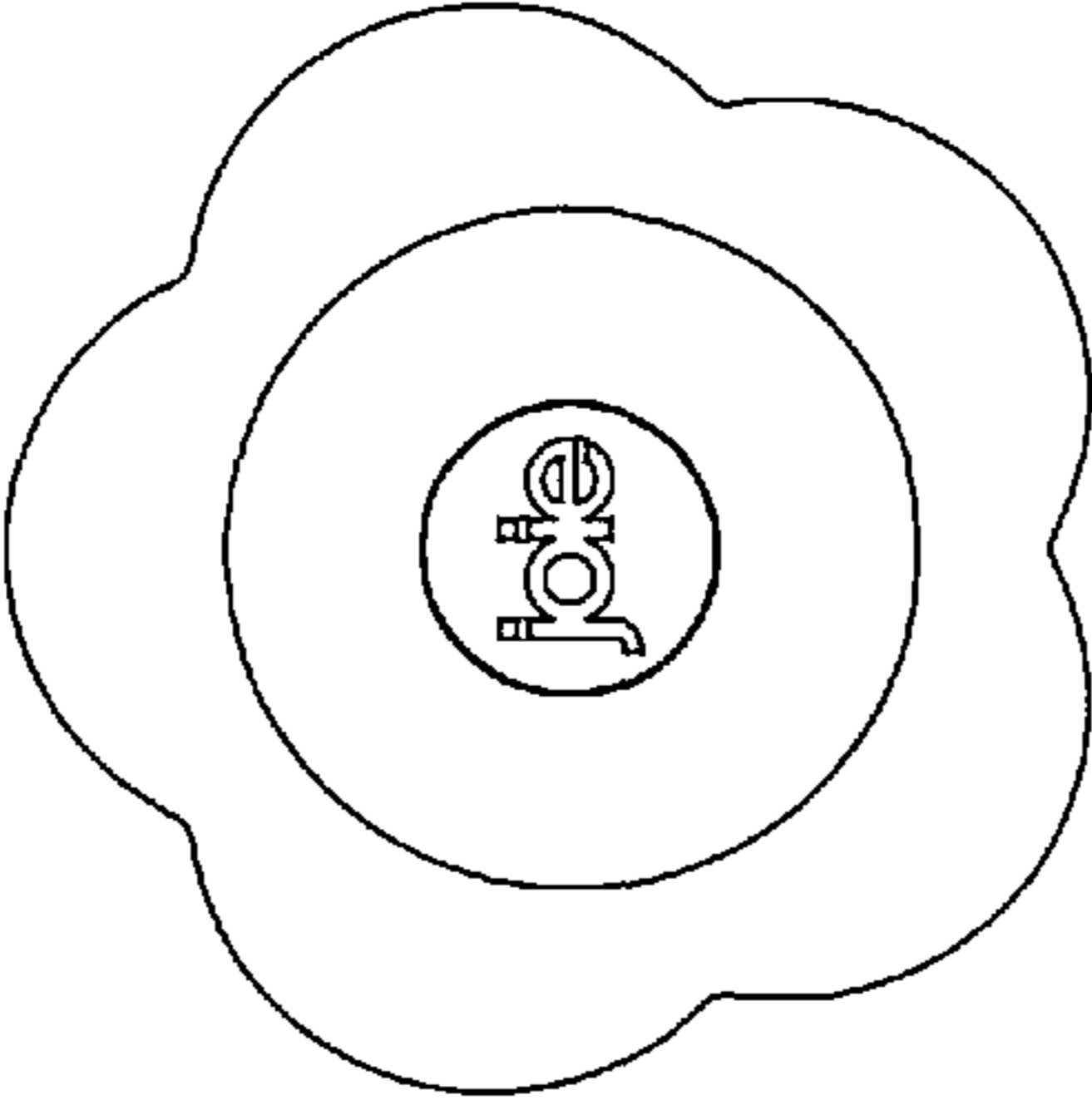


FIG. 4

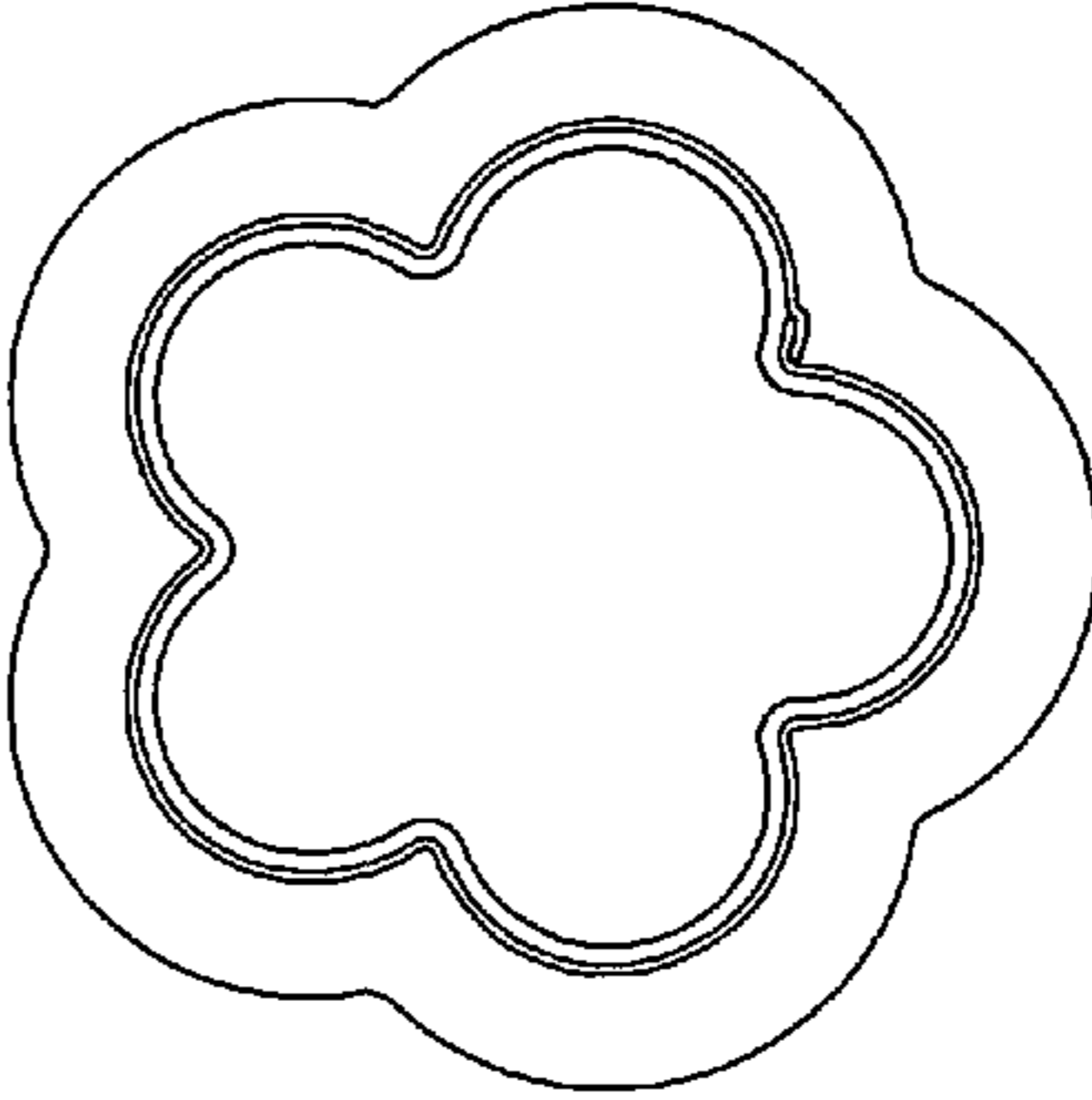


FIG. 5