



US00D672209S

(12) **United States Design Patent**  
**Lion et al.**

(10) **Patent No.:** **US D672,209 S**  
(45) **Date of Patent:** **\*\* Dec. 11, 2012**

(54) **FOOD STORAGE TRAY**

(75) Inventors: **Mathieu Lion**, Paris (FR); **Anne Tanguy**, Paris (FR)

(73) Assignee: **Mastrad, S.A.**, Paris (FR)

(\*\*) Term: **14 Years**

(21) Appl. No.: **29/406,439**

(22) Filed: **Nov. 14, 2011**

(51) **LOC (9) Cl.** ..... **07-07**

(52) **U.S. Cl.** ..... **D7/629**

(58) **Field of Classification Search** ..... D7/629,  
D7/601, 602, 630, 538-542, 584, 586, 587;  
426/87, 115, 119, 120, 123; 206/459.5, 518,  
206/557, 561; D9/424-432, 761, 737, 756;  
220/675, 574-575, 573.1, 326, 236, 780-806,  
220/4.21, 4.24, 288, 260, 23.8, 502, 501,  
220/504, 523

See application file for complete search history.

(56) **References Cited**

**U.S. PATENT DOCUMENTS**

D273,842 S \* 5/1984 Jeannin ..... D9/758  
5,919,501 A \* 7/1999 Rozzano ..... 426/87

D417,785 S \* 12/1999 Daniels ..... D3/313  
RE36,867 E \* 9/2000 Rozzano ..... 426/87  
D535,195 S \* 1/2007 Schwab ..... D9/756  
D548,538 S \* 8/2007 Liu ..... D7/629

\* cited by examiner

*Primary Examiner* — Terry Wallace

(74) *Attorney, Agent, or Firm* — Connolly Bove Lodge & Hutz LLP

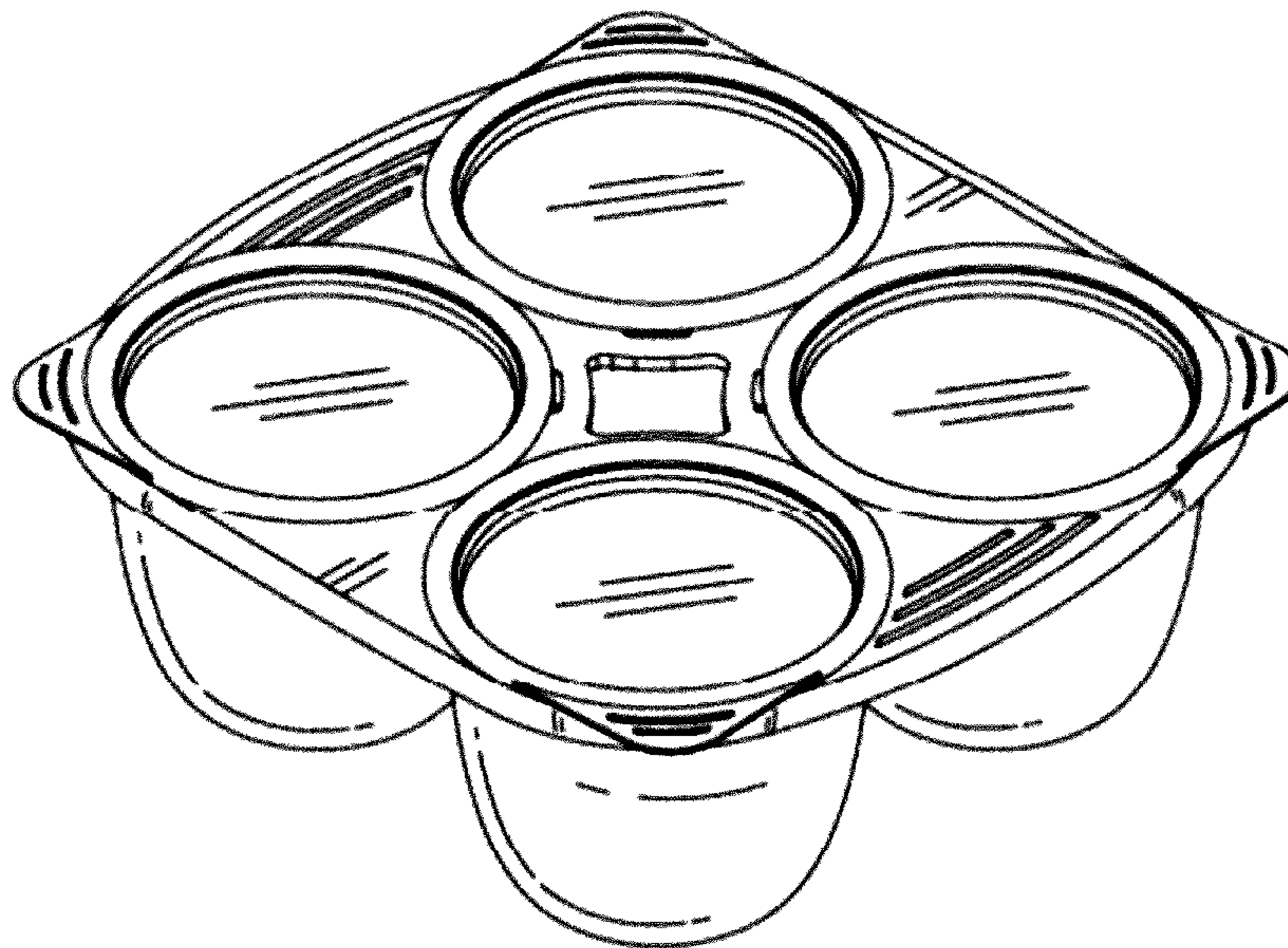
(57) **CLAIM**

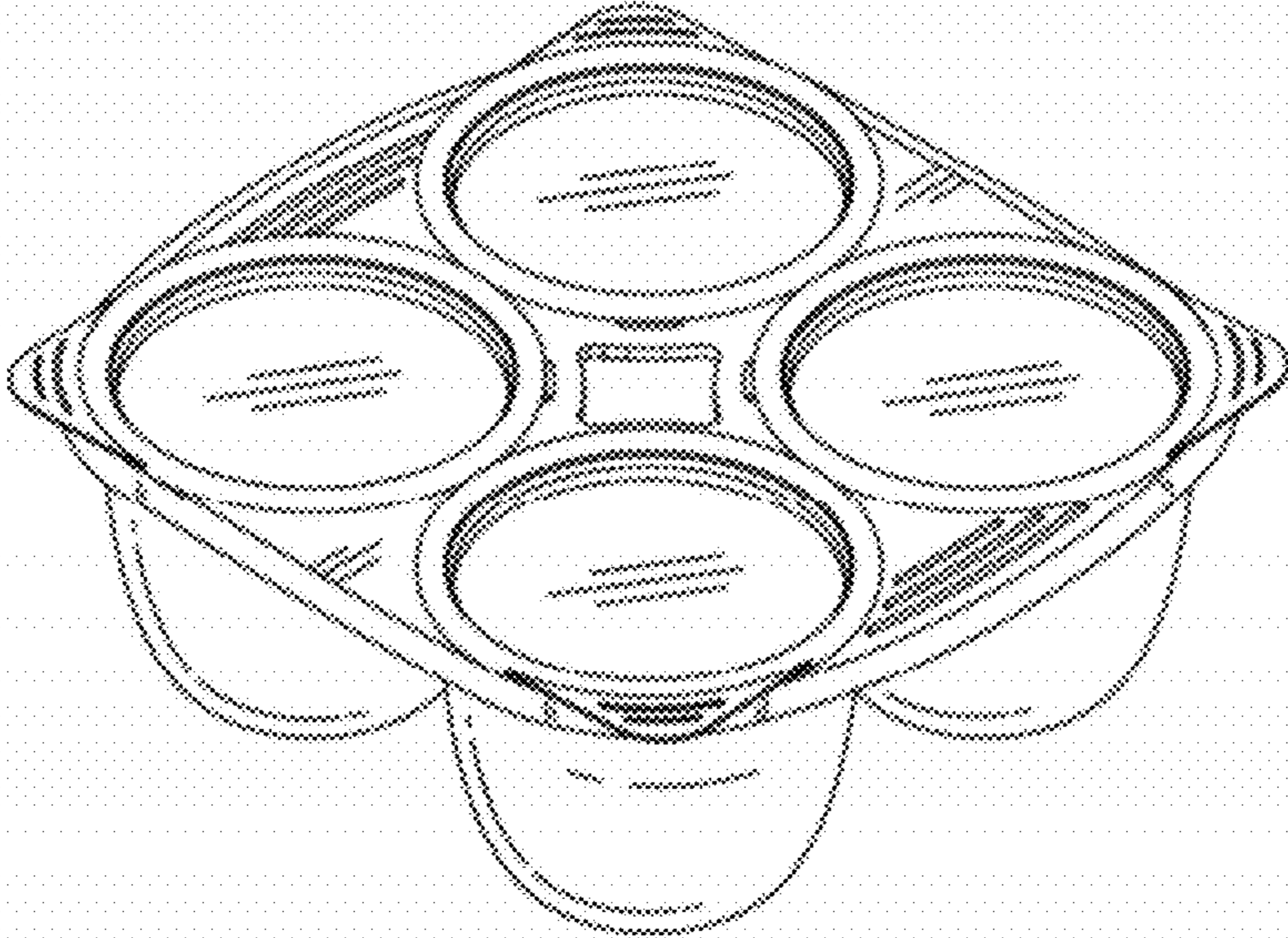
The ornamental design for the food storage tray, as shown and described.

**DESCRIPTION**

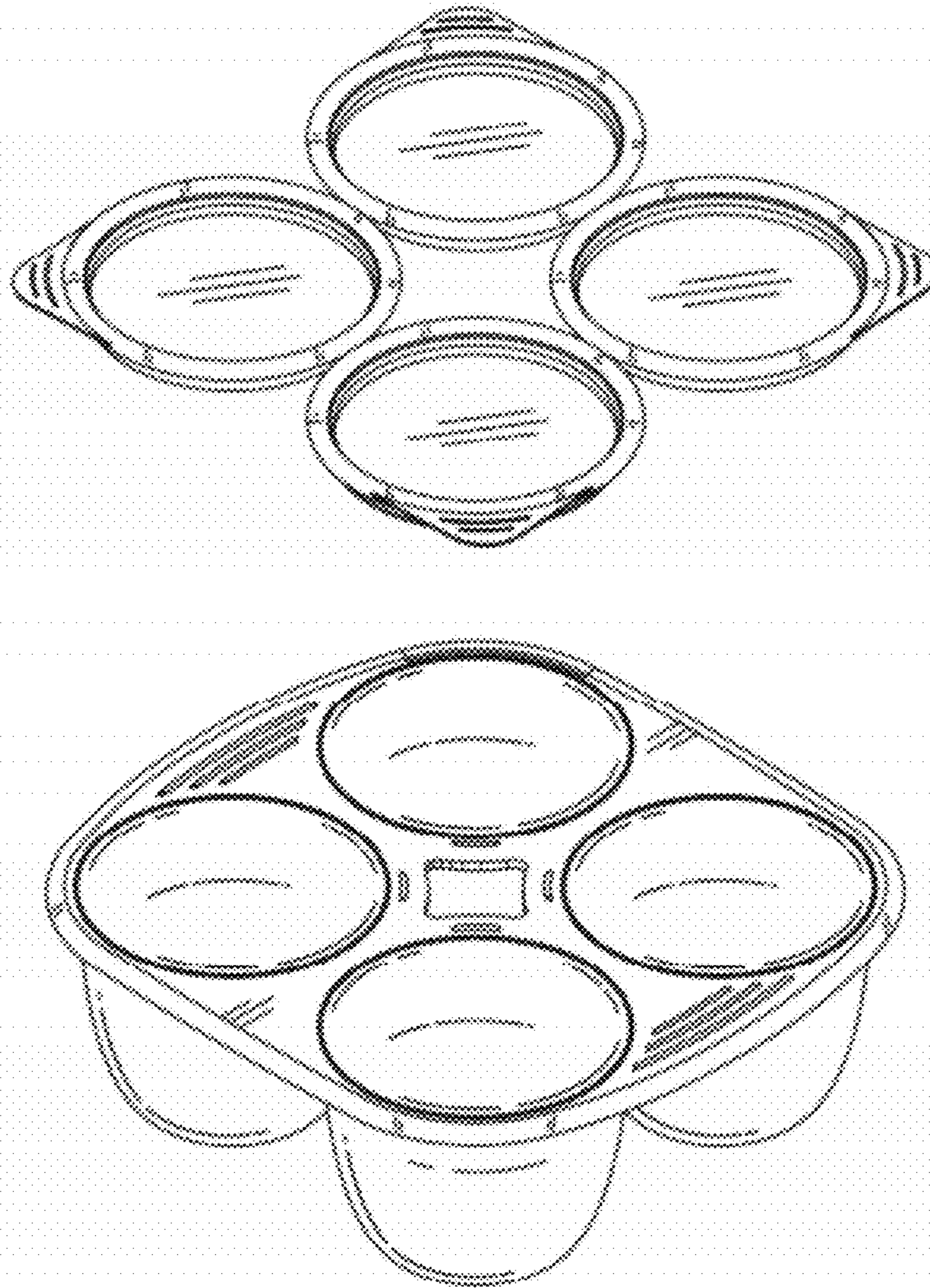
FIG. 1 is a perspective view of the food storage tray with the plurality of lids in a closed configuration;  
FIG. 2 is a an exploded perspective view of the food storage tray and the plurality of lids in an open configuration;  
FIG. 3 is a top plan view of the food storage tray of FIG. 1;  
FIG. 4 is a cross-sectional view of the food storage tray along 4-4 of FIG. 3;  
FIG. 5 is a bottom plan view of the food storage tray; and,  
FIG. 6 is a front view of the food storage tray of FIG. 1, with the rear and side views being identical to the front view.

**1 Claim, 4 Drawing Sheets**

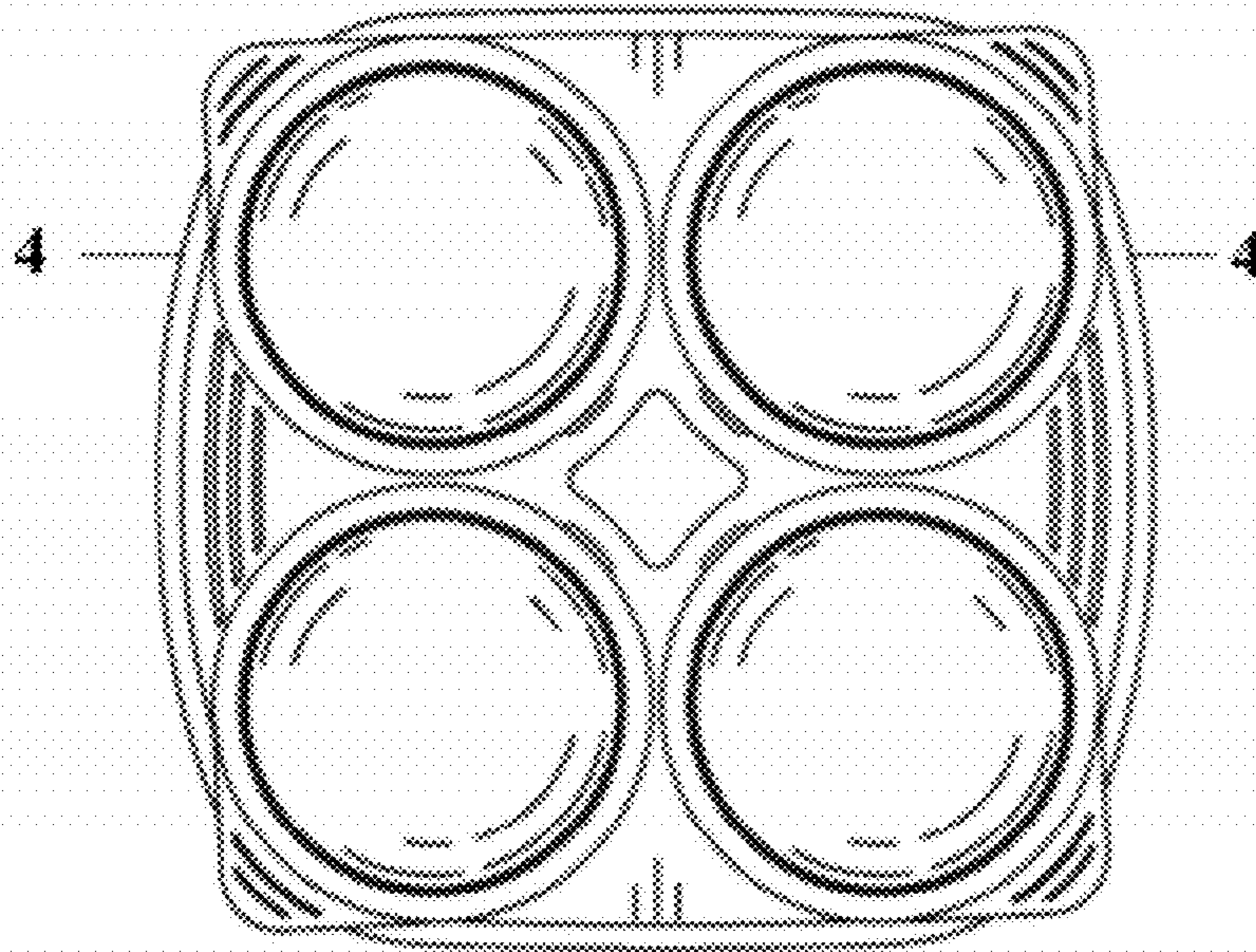




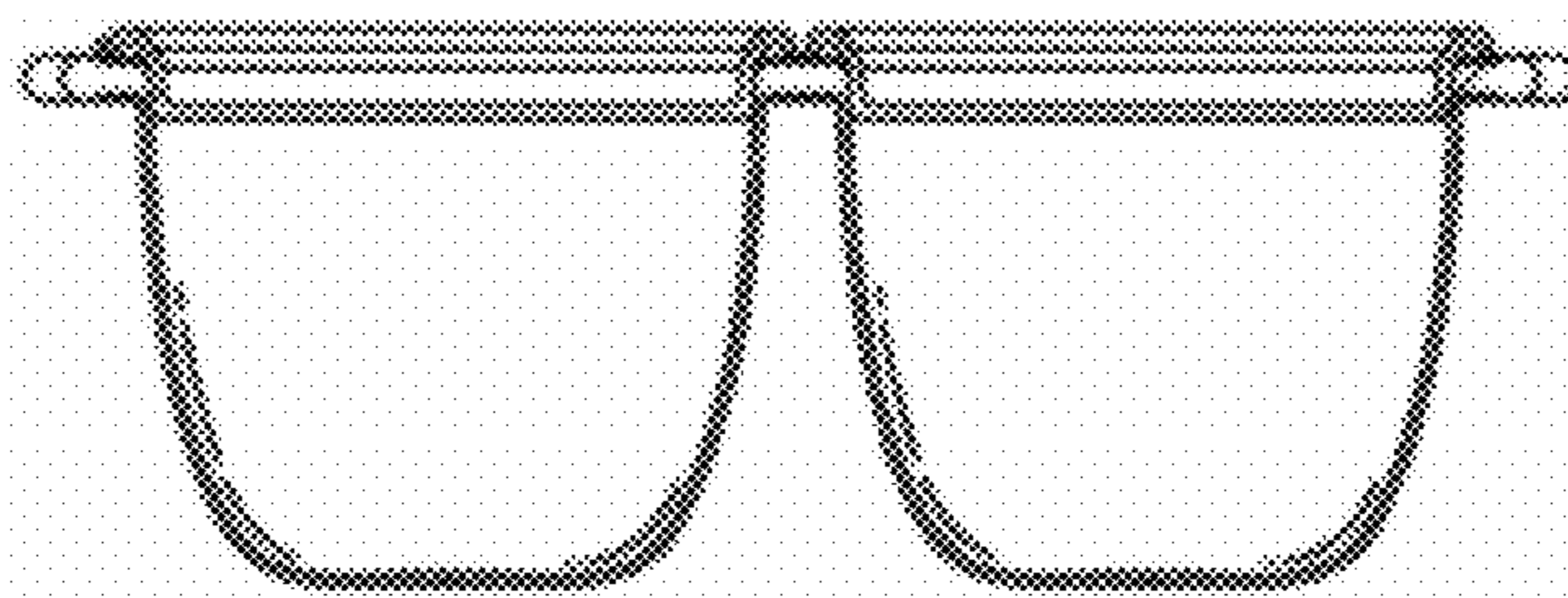
*Figure 1*



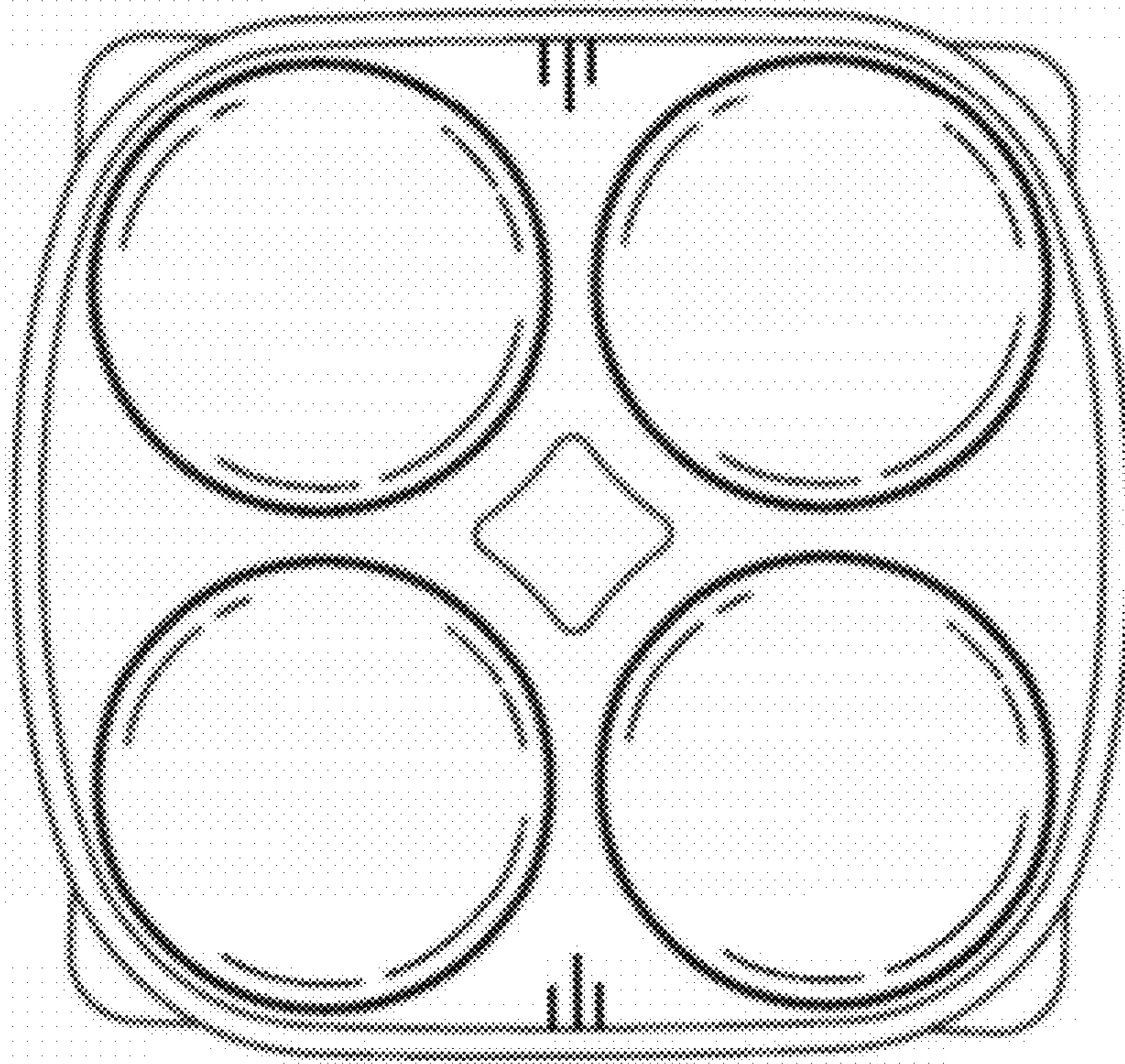
*Figure 2*



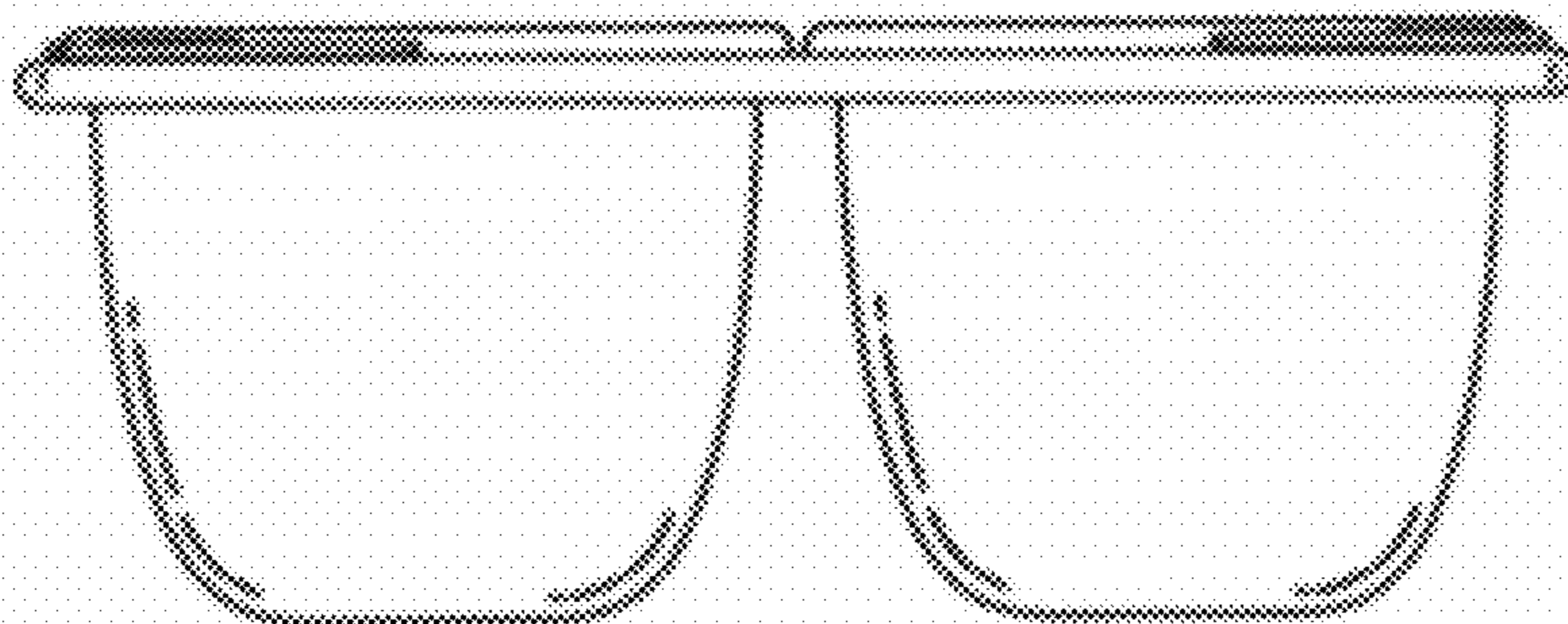
*Figure 3*



*Figure 4*



*Figure 5*



*Figure 6*