



US00D672206S

(12) **United States Design Patent**  
**Piacenza et al.**

(10) **Patent No.:** **US D672,206 S**

(45) **Date of Patent:** **\*\* Dec. 11, 2012**

(54) **WATERMELON SAVER**

(56) **References Cited**

(76) Inventors: **Raffaele Piacenza**, Cornegliano  
Laudense (IT); **Alessandro Piacenza**,  
Cornegliano Laudense (IT)

U.S. PATENT DOCUMENTS

4,795,033 A \* 1/1989 Duffy ..... 206/457  
D604,112 S \* 11/2009 Braidotti ..... D7/628

(\*\*) Term: **14 Years**

\* cited by examiner

(21) Appl. No.: **29/415,322**

*Primary Examiner* — Terry Wallace

(22) Filed: **Mar. 9, 2012**

(74) *Attorney, Agent, or Firm* — Themis Law

(30) **Foreign Application Priority Data**

(57) **CLAIM**

The ornamental design for a watermelon saver, as shown.

Jan. 30, 2012 (EM) ..... 001982984-0004

(51) **LOC (9) Cl.** ..... **07-07**

(52) **U.S. Cl.** ..... **D7/628; D9/645**

(58) **Field of Classification Search** ..... D7/628,  
D7/629, 506, 539, 604, 606, 675, 676, 610;  
D9/643, 645; 206/457, 551; D1/104, 106,  
D1/115; D3/270, 271.1, 271.8

See application file for complete search history.

**DESCRIPTION**

FIG. 1 is a perspective view of a watermelon saver showing our new design;

FIG. 2 is a front elevational view thereof;

FIG. 3 is a rear elevational view thereof;

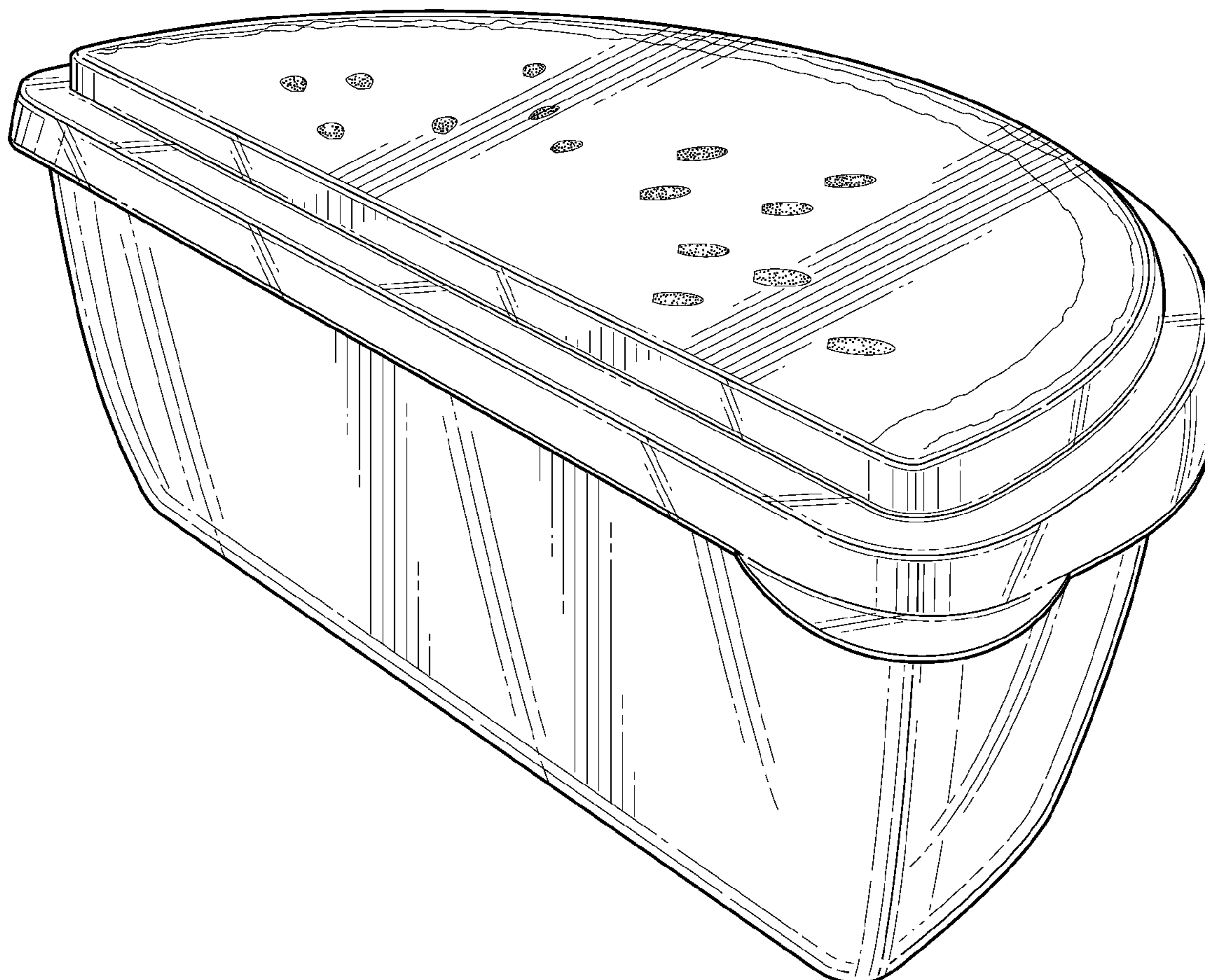
FIG. 4 is a left side elevational view thereof;

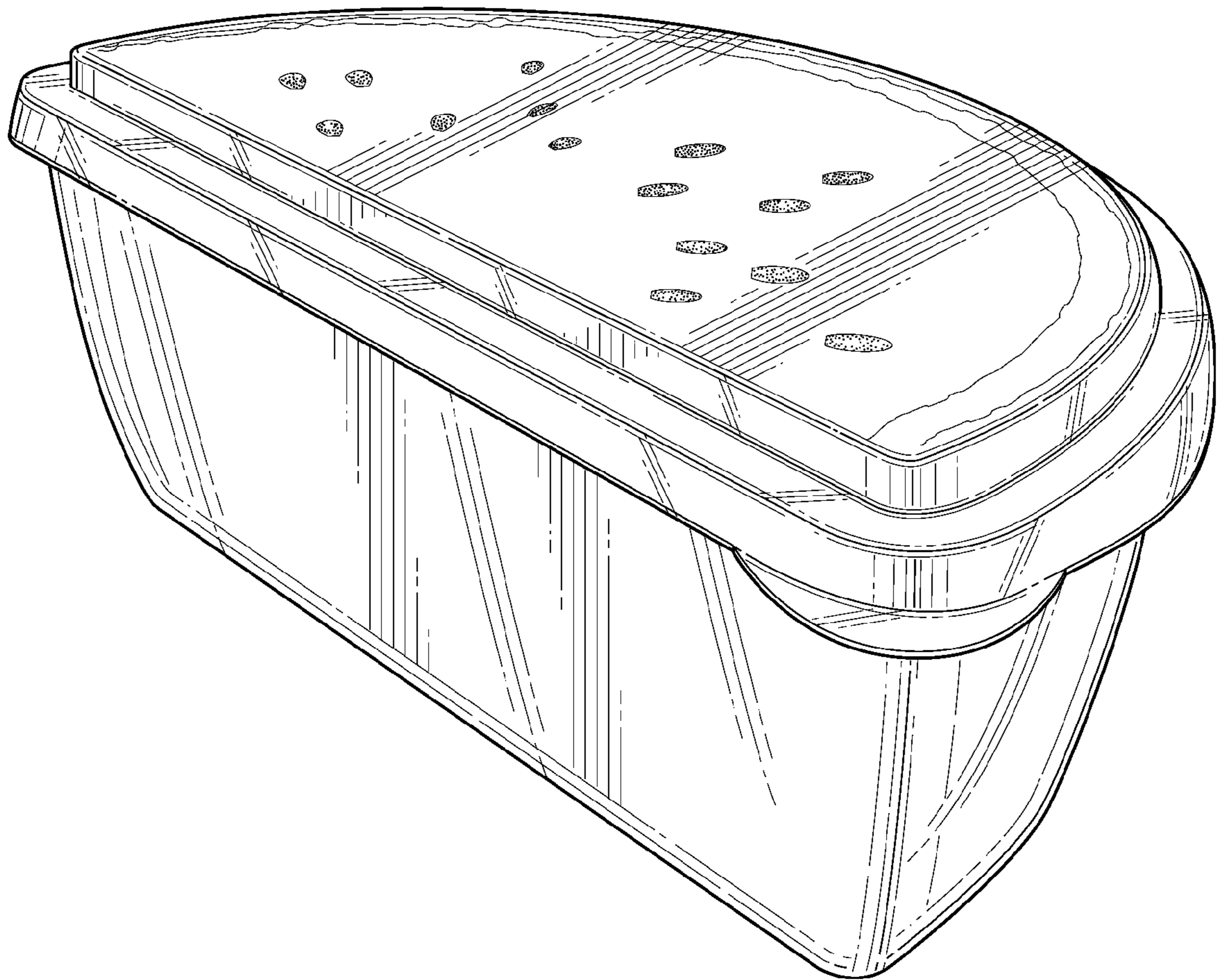
FIG. 5 is a right side elevational view thereof;

FIG. 6 is a top plan view thereof; and,

FIG. 7 is a bottom plan view thereof.

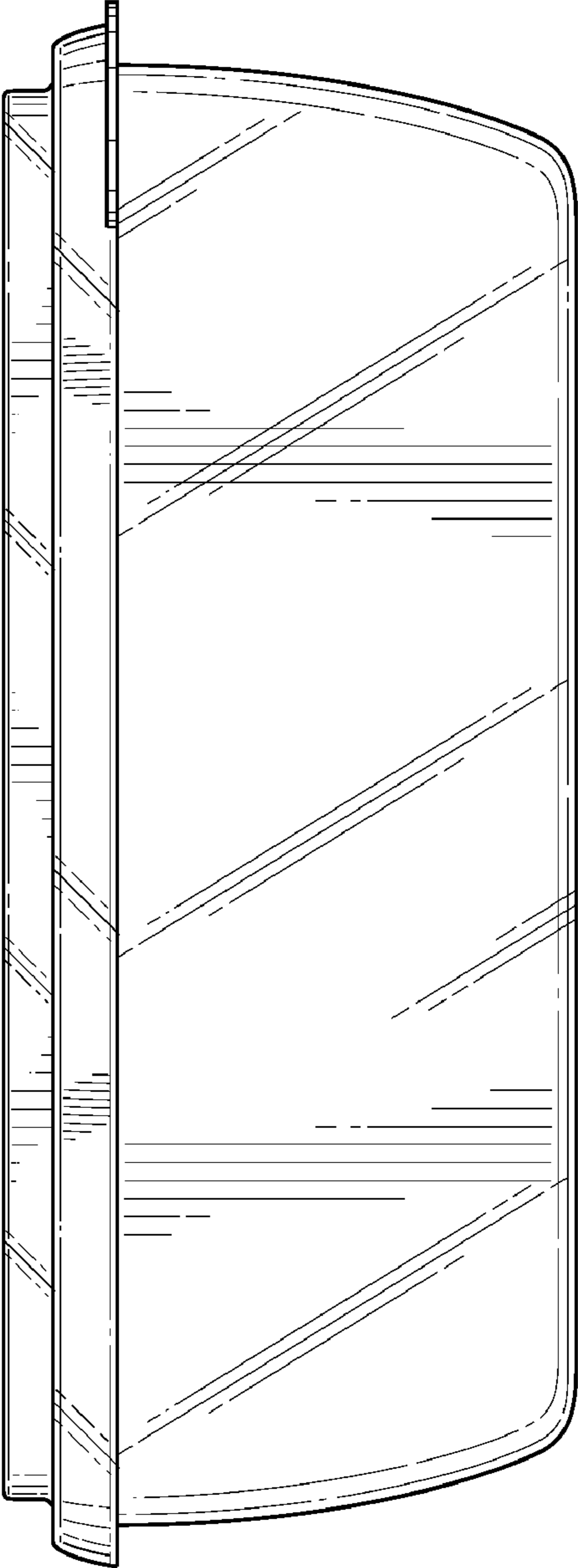
**1 Claim, 5 Drawing Sheets**



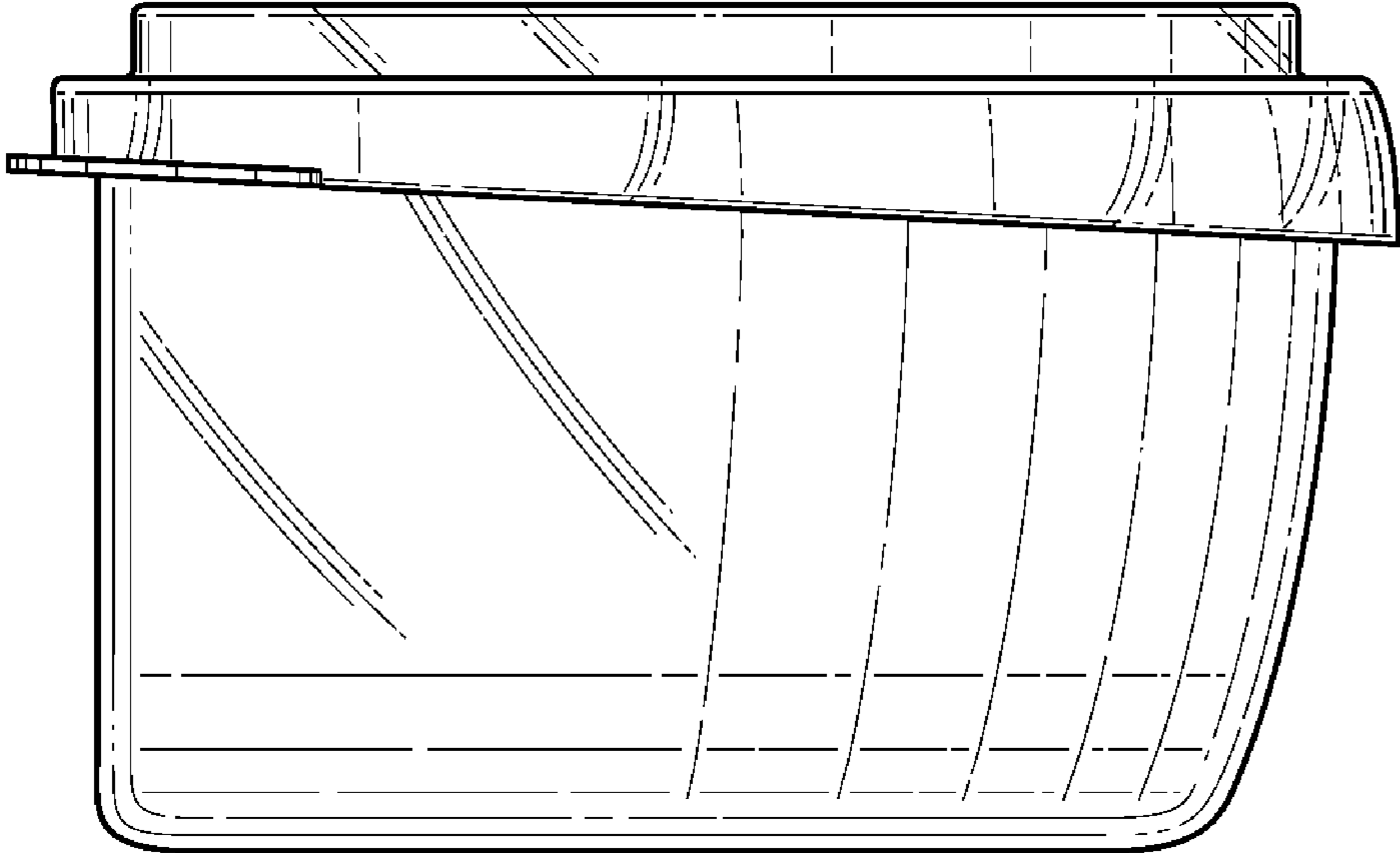


**FIG. 1**

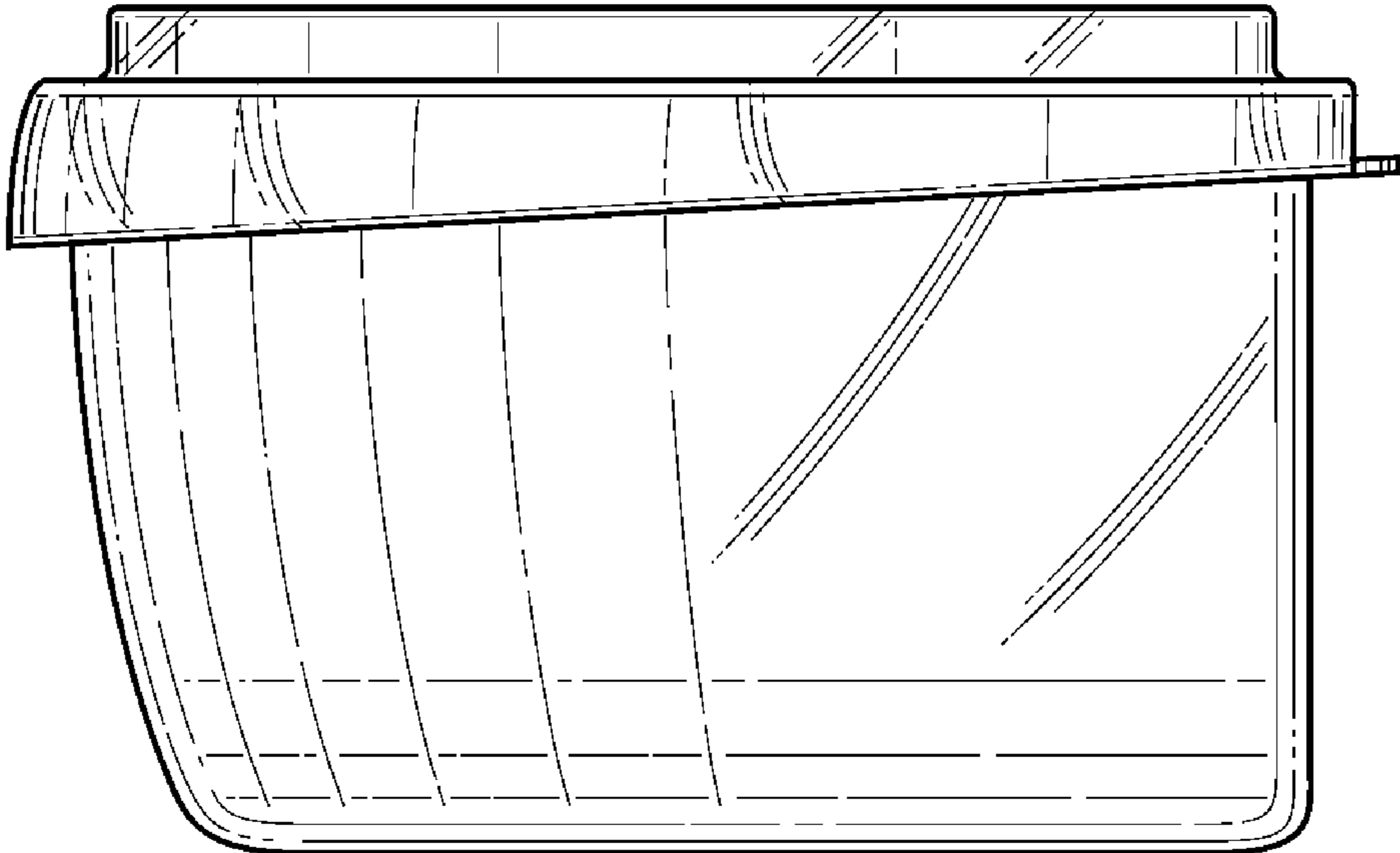
**FIG. 2**



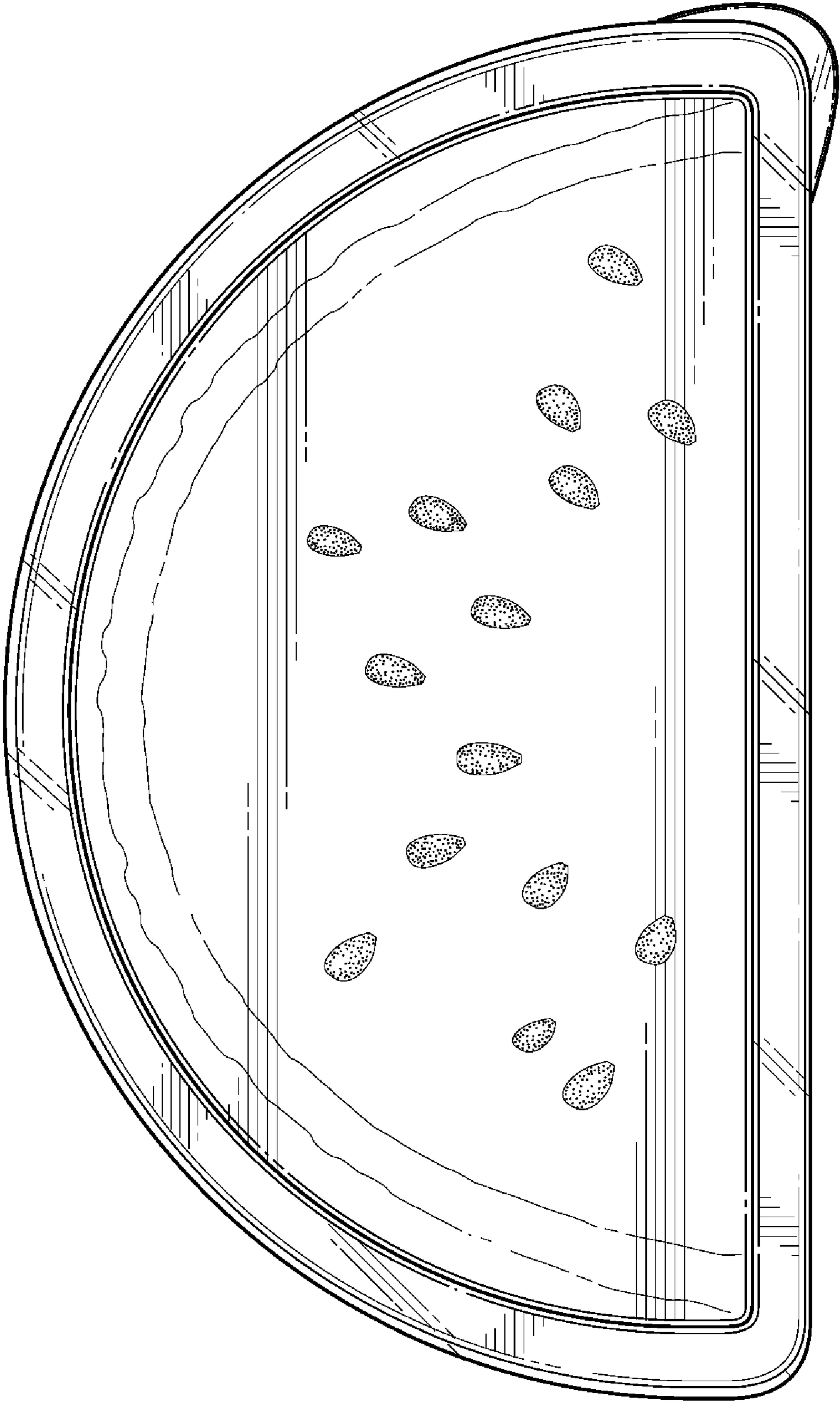
**FIG. 3**



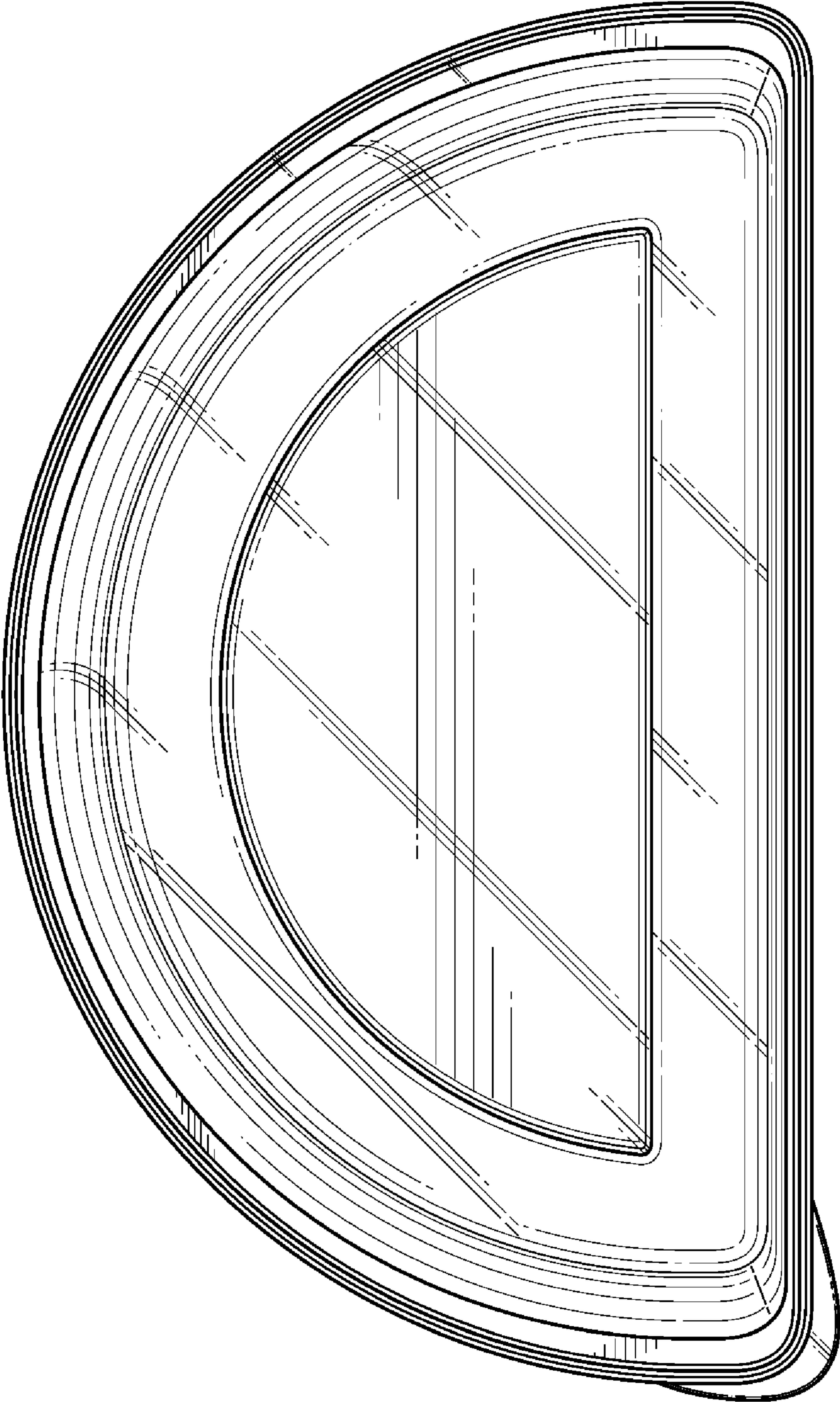
**FIG. 4**



**FIG. 5**



**FIG. 6**



**FIG. 7**