



US00D672202S

(12) **United States Design Patent**
Craft et al.

(10) **Patent No.:** **US D672,202 S**
(45) **Date of Patent:** **** Dec. 11, 2012**

- (54) **FOOD CONTAINER**
- (75) Inventors: **Rachel Lyn Craft**, Glen Rock, NJ (US);
Gladys Odette Sierra-Gomez,
Woodbridge, NJ (US)
- (73) Assignee: **Kraft Foods Global Brands LLC**,
Northfield, IL (US)

2,793,802 A	5/1957	Scaturro
2,903,180 A	9/1959	Holmes
2,961,140 A	11/1960	Holmes
3,512,698 A	5/1970	Kapustka
3,809,310 A	5/1974	VanderLugt, Jr.
4,022,372 A	5/1977	Graser
4,063,679 A *	12/1977	Henry 229/108.1
4,714,190 A	12/1987	Morrocco

(Continued)

(**) Term: **14 Years**

OTHER PUBLICATIONS

European Search Report; EP11162736.0 dated Jul. 22, 2011; 3 pages.

(Continued)

(21) Appl. No.: **29/422,806**

(22) Filed: **May 24, 2012**

Related U.S. Application Data

(63) Continuation of application No. 29/366,047, filed on Jul. 19, 2010, now Pat. No. Des. 661,161, which is a continuation-in-part of application No. 12/761,758, filed on Apr. 16, 2010.

Primary Examiner — Cynthia Underwood

(74) *Attorney, Agent, or Firm* — Fitch, Even, Tabin & Flannery, LLP

(51) **LOC (9) Cl.** **07-01**

(52) **U.S. Cl.** **D7/586; D9/430**

(58) **Field of Classification Search** D7/545,
D7/586, 500, 543, 566, 620, 629, 552.1, 354,
D7/584, 360, 361; 220/751, 23.4, 574; D9/432,
D9/430, 414, 709, 703, 425; D30/127; 229/117.27,
229/117.35, 114; 47/41.12

See application file for complete search history.

(57) **CLAIM**

We claim the ornamental design for food container, as shown and described.

DESCRIPTION

FIG. 1 is a perspective view of a food container showing my new design;

FIG. 2 is a top plan view of the container of FIG. 1;

FIG. 3 is a bottom plan view of the container of FIG. 1;

FIG. 4 is a right side elevational view of the container of FIG. 1;

FIG. 5 is a left side elevational view of the container of FIG. 1;

FIG. 6 is a front side elevational view of the container of FIG. 1; and,

FIG. 7 is a rear side elevational view of the container of FIG. 1.

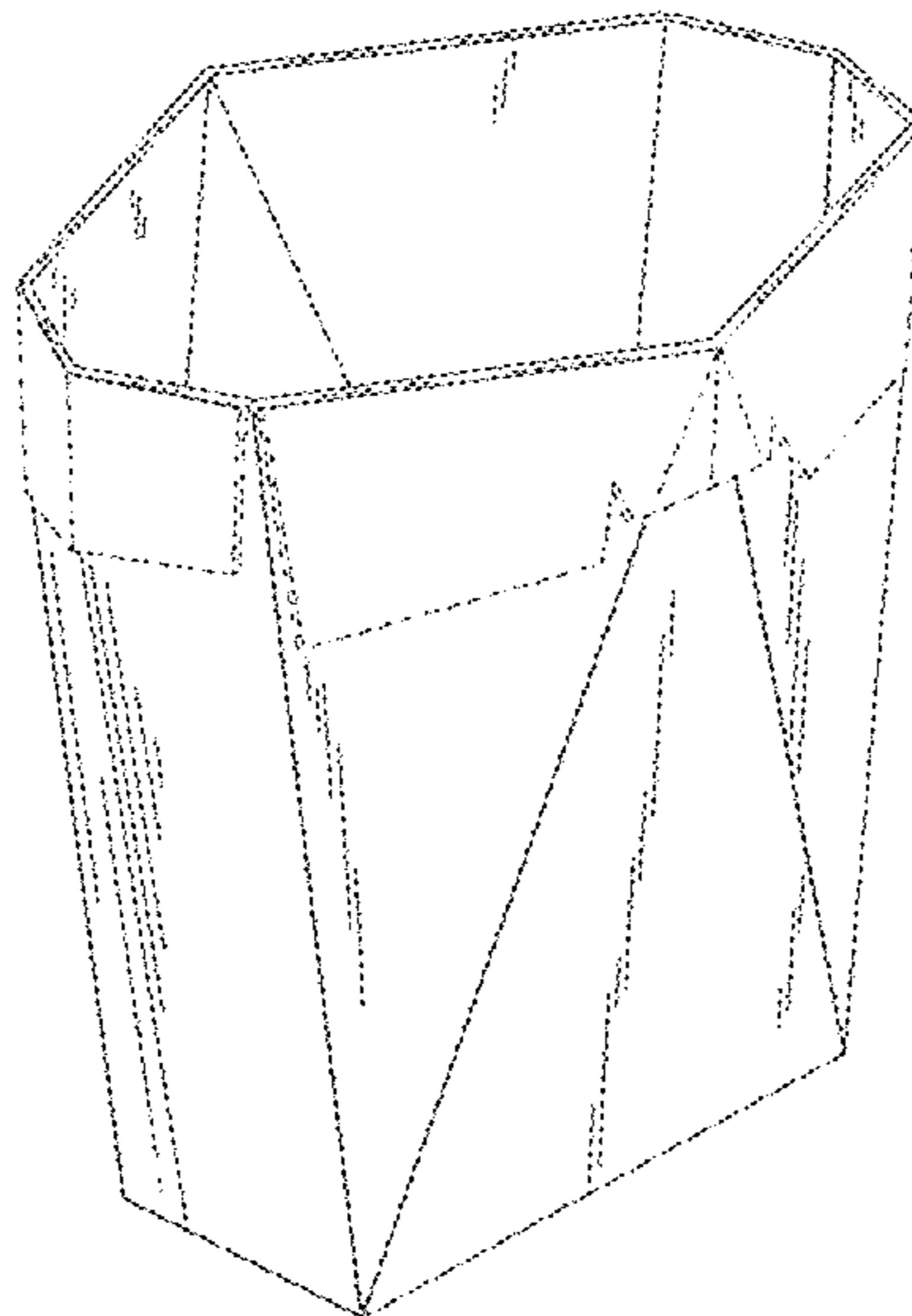
The broken lines shown in the drawings are for illustrative purposes only and form no part of the claimed design.

(56) **References Cited**

U.S. PATENT DOCUMENTS

184,322 A	11/1876	Benham
1,668,800 A	5/1928	Bonfield
2,085,238 A	6/1937	Towell
2,176,912 A	10/1939	Lockett
2,279,614 A	4/1942	Bryant
2,594,394 A	4/1952	Casselman et al.
2,625,315 A	1/1953	Fehrenkamp
2,686,002 A	8/1954	Inman

1 Claim, 4 Drawing Sheets



US D672,202 S

Page 2

U.S. PATENT DOCUMENTS

D296,747 S 7/1988 Johnson
5,098,014 A 3/1992 Perkins
5,292,058 A 3/1994 Zoss et al.
5,381,949 A 1/1995 Correll
D407,970 S * 4/1999 Planchard D9/703
6,206,279 B1 3/2001 Countee
6,478,216 B2 11/2002 Wiart
D469,691 S * 2/2003 Brondyke et al. D9/431
6,612,072 B2 9/2003 Busby et al.
D482,614 S 11/2003 Countee, Jr.
7,021,525 B2 4/2006 Jouppi et al.
D523,744 S * 6/2006 Zeng D9/430
D551,572 S * 9/2007 Hsu D9/730
D551,967 S * 10/2007 Hengami D9/431
7,325,718 B2 2/2008 Cook et al.
D563,155 S 3/2008 Wyllie et al.
D567,586 S 4/2008 Brown

D567,592 S 4/2008 Fite, IV et al.
D578,829 S 10/2008 Freeman
D580,779 S 11/2008 Hartwell et al.
D589,344 S 3/2009 Lang
D589,345 S 3/2009 Lang
D592,058 S 5/2009 Rapaport
D607,281 S 1/2010 Meyers
D611,341 S * 3/2010 Belce D9/431
D640,932 S 7/2011 Kasha
8,052,038 B2 11/2011 Jackson
2001/0004086 A1 6/2001 Wiart

OTHER PUBLICATIONS

European Search Opinion; EP11162736.0 dated Jul. 22, 2011; 3 pages.

* cited by examiner

FIG. 1

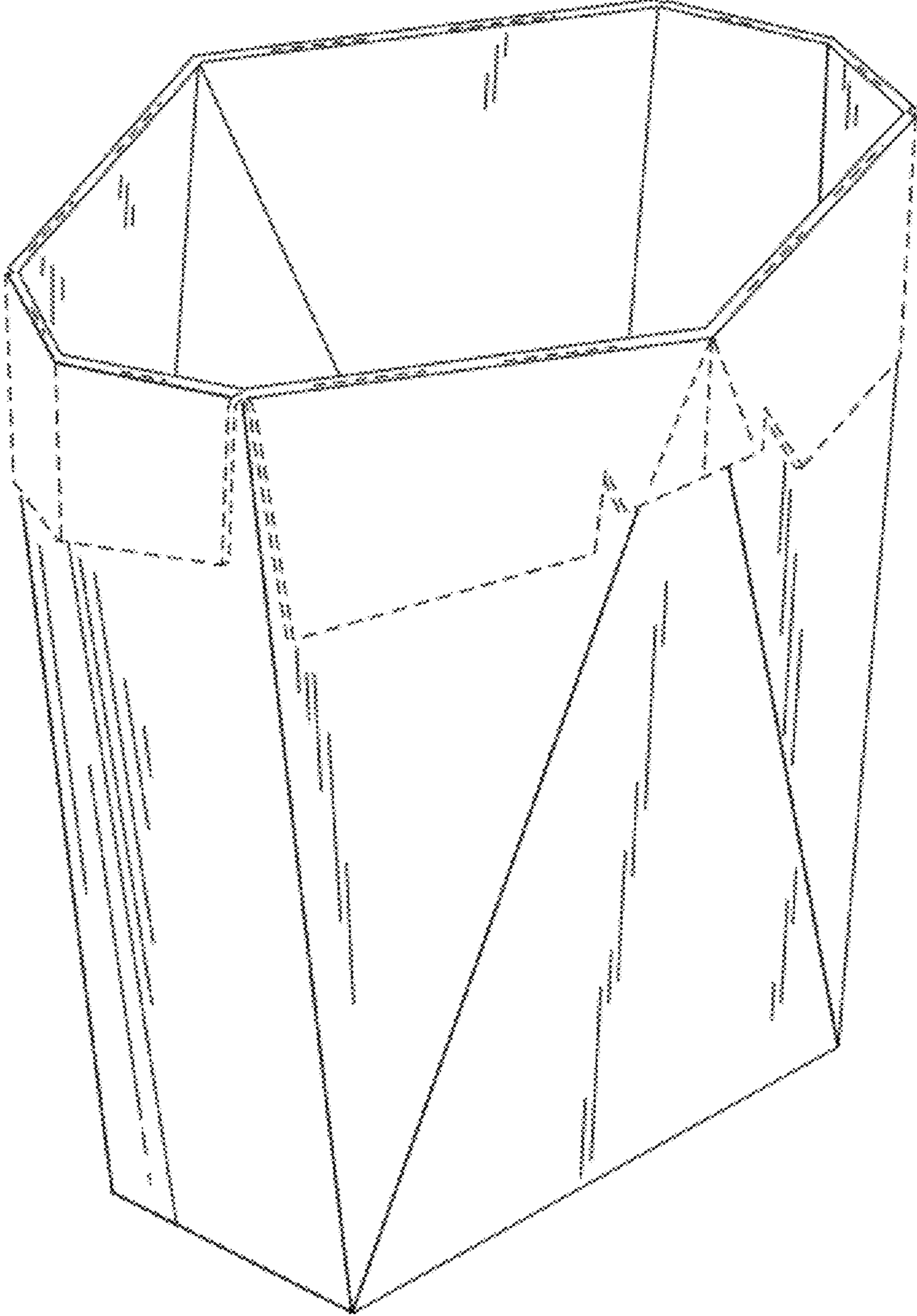


FIG. 2

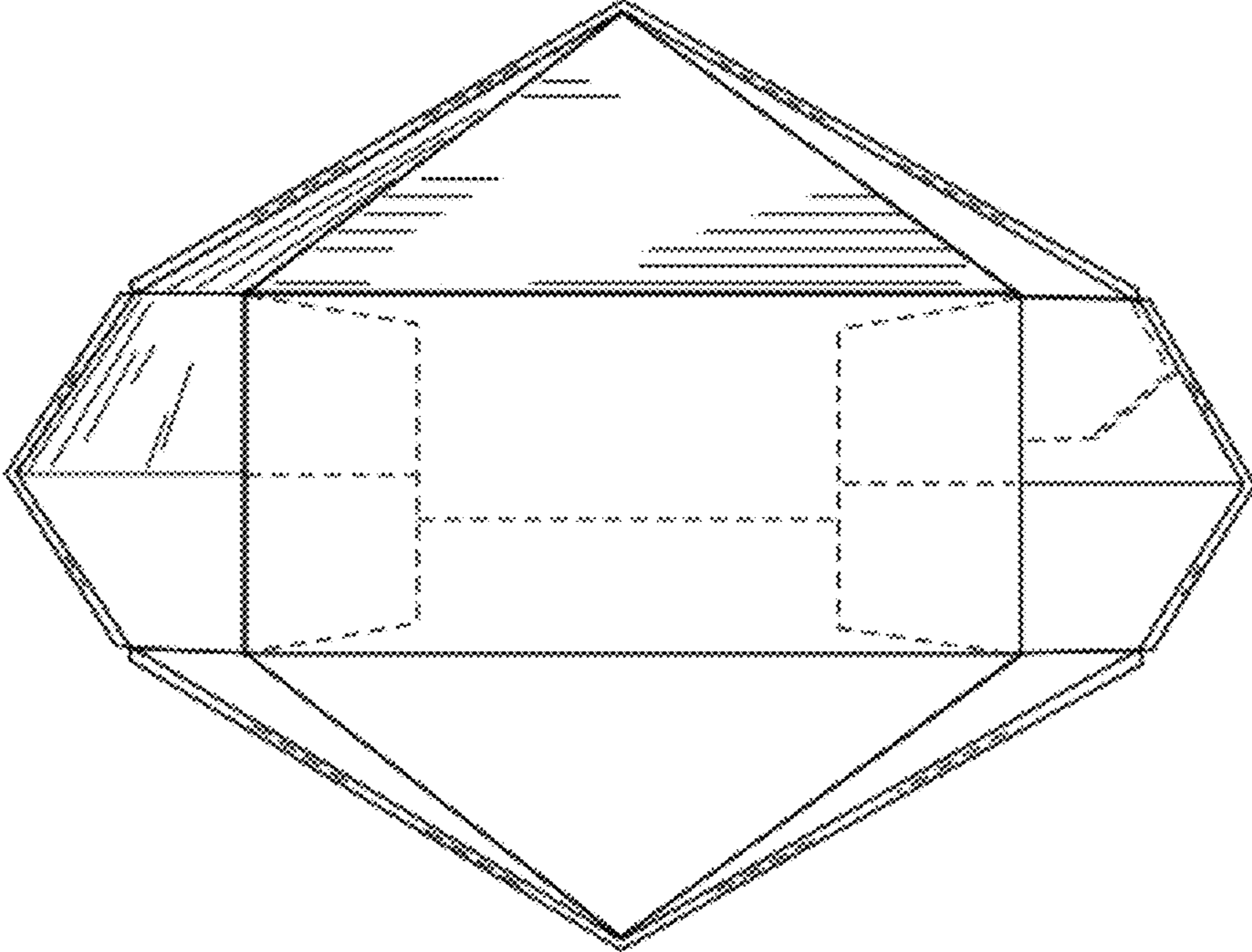


FIG. 3

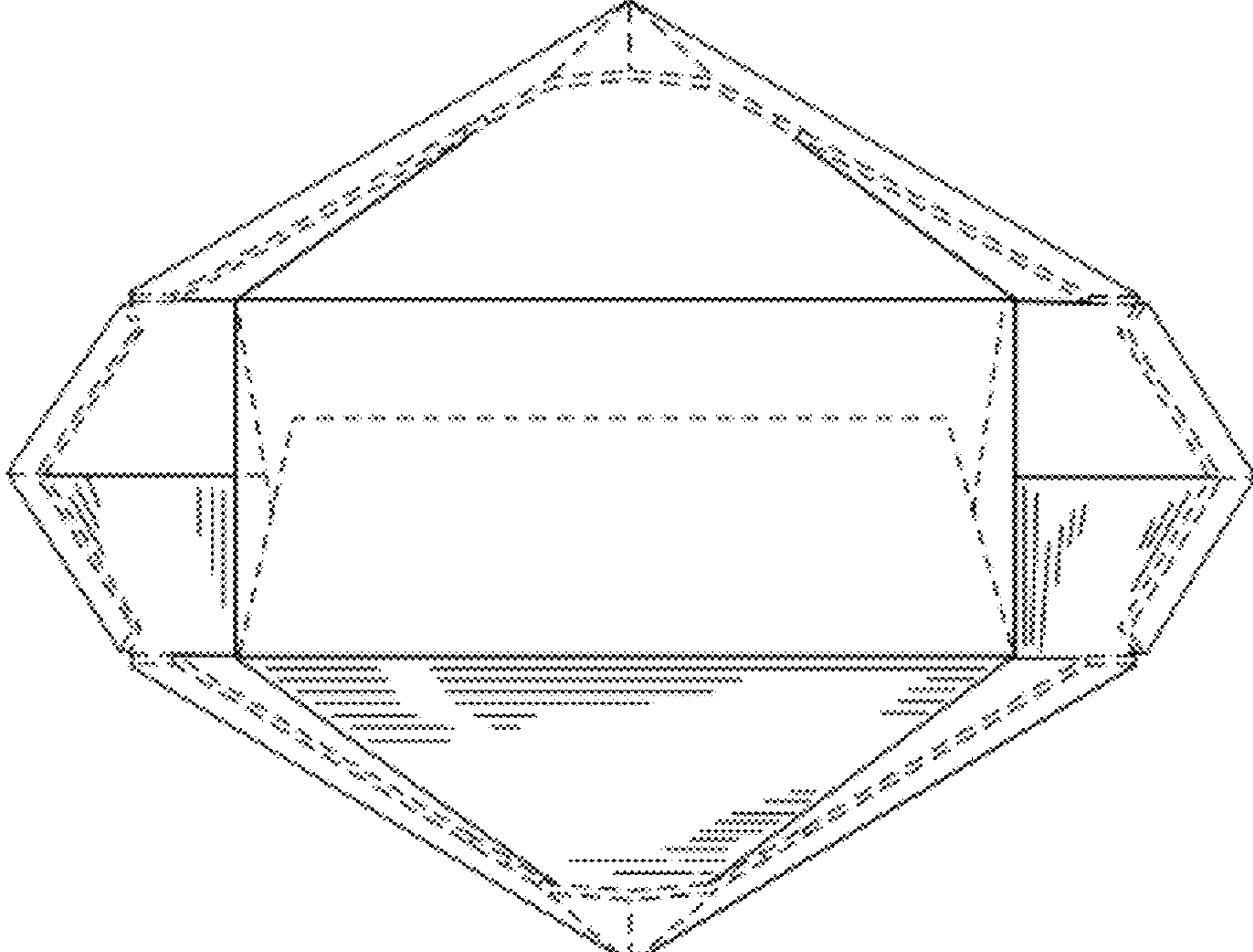


FIG. 4

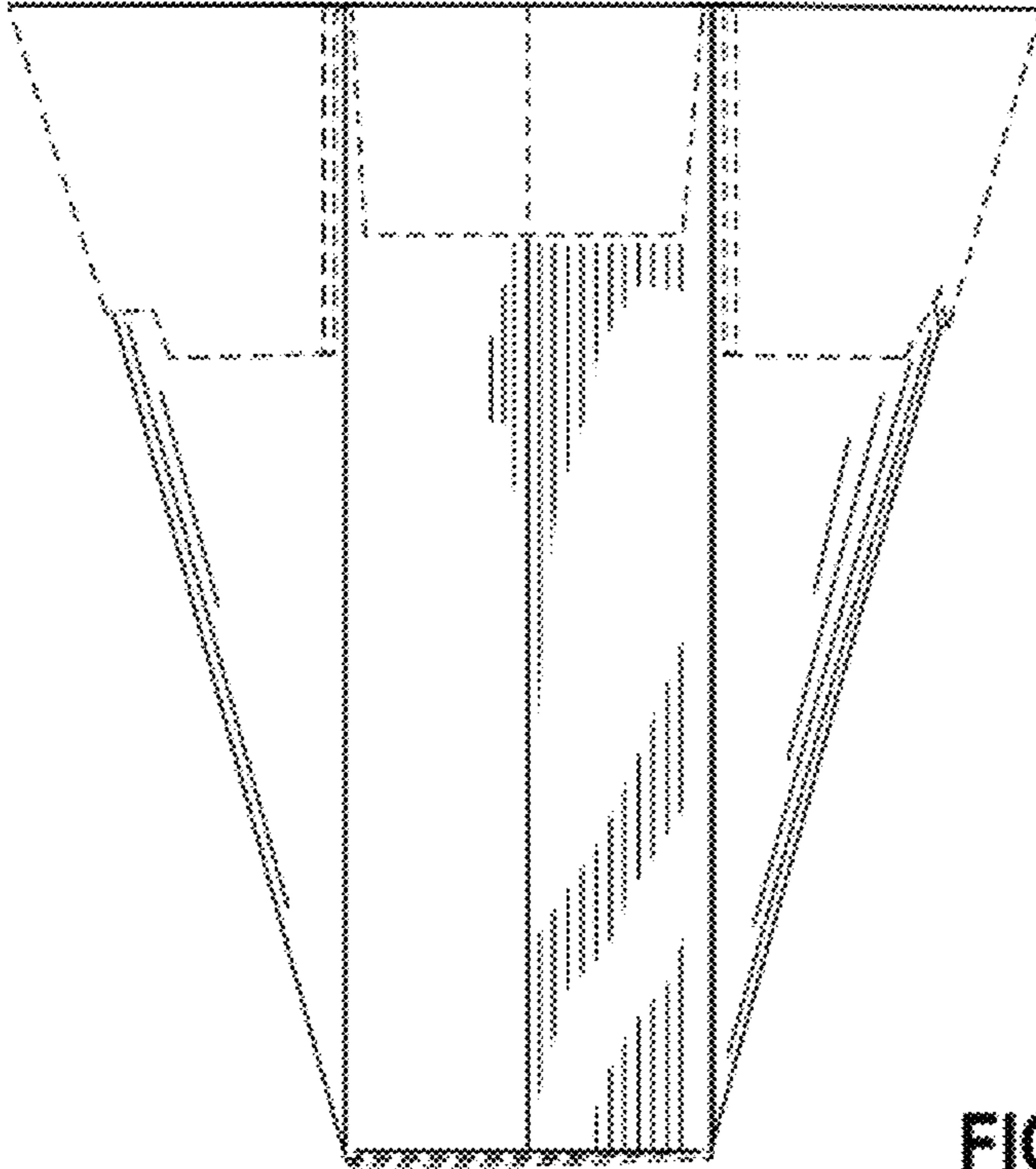


FIG. 5

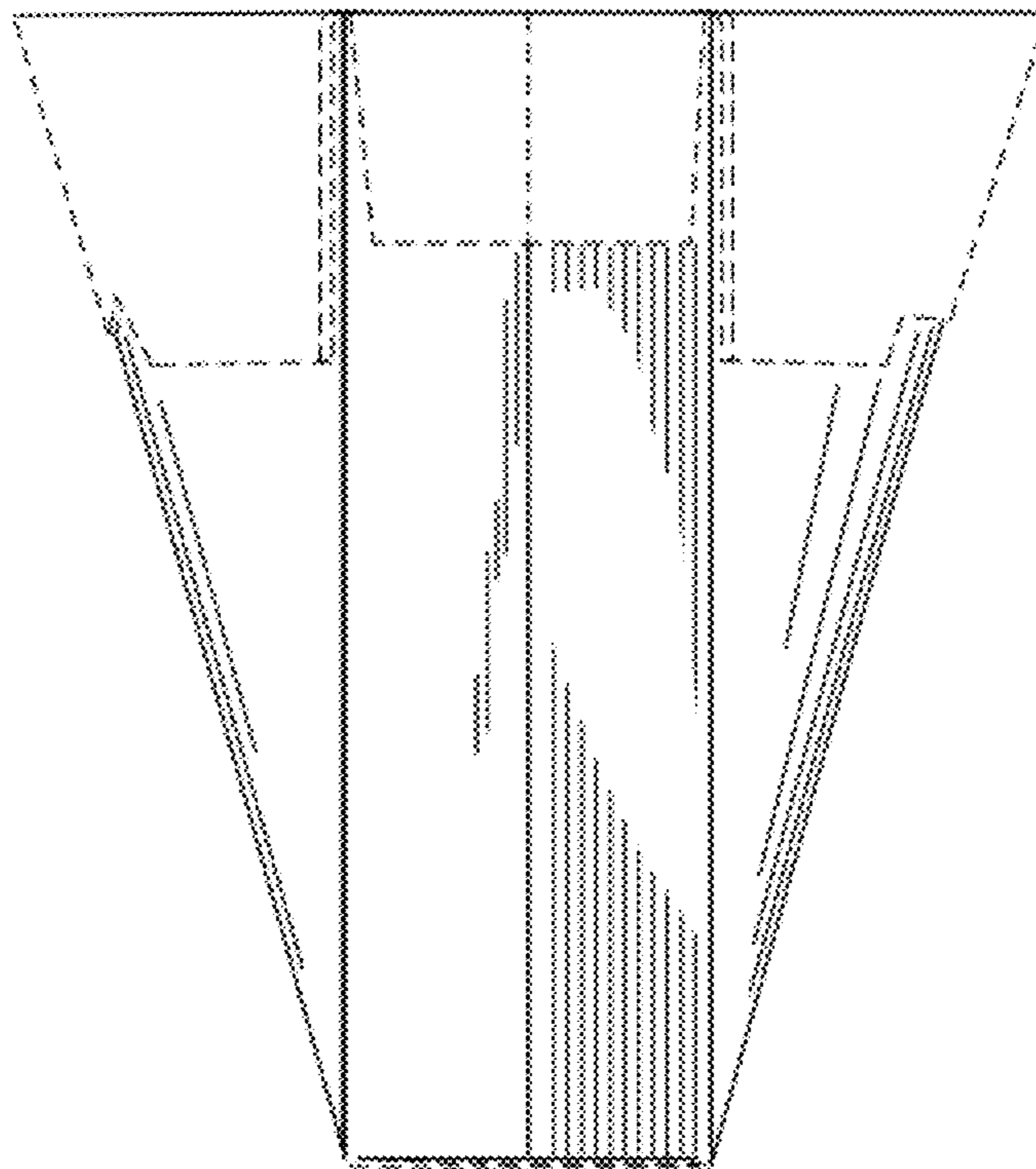


FIG. 6

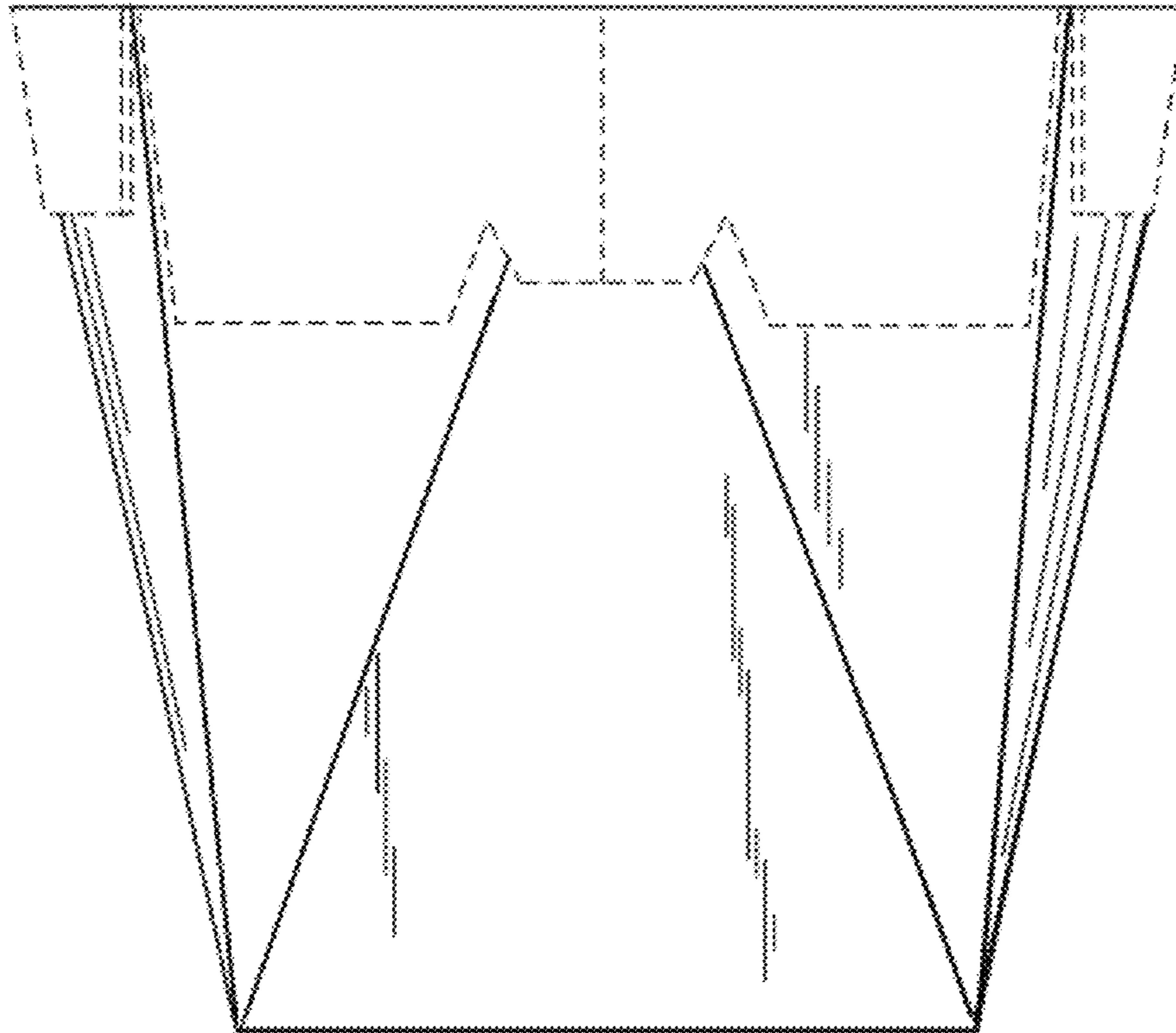


FIG. 7

