



US00D672194S

(12) **United States Design Patent**
Rae

(10) **Patent No.:** **US D672,194 S**

(45) **Date of Patent:** **** Dec. 11, 2012**

(54) **COOKWARE ELONGATED SIDE HANDLE**

(75) **Inventor:** **Robert A. Rae**, Las Vegas, NV (US)

(73) **Assignee:** **Meyer Intellectual Properties Limited**
(VG)

(**) **Term:** **14 Years**

(21) **Appl. No.:** **29/415,263**

(22) **Filed:** **Mar. 8, 2012**

(51) **LOC (9) Cl.** **07-02**

(52) **U.S. Cl.** **D7/395**

(58) **Field of Classification Search** D7/354-361,
D7/393-395, 401.2, 664; D8/107, 300, 303,
D8/307, 313, 321; D4/138, 129; 16/421,
16/430, 431, 110.1, 407; 220/573.1-573.5,
220/752, 753, 755, 756, 759, 767, 771, 912
See application file for complete search history.

(56) **References Cited**

U.S. PATENT DOCUMENTS

D438,055 S *	2/2001	Munari	D7/395
D512,602 S *	12/2005	Spagnolo	D7/395
D580,704 S *	11/2008	Robson	D7/393
D582,208 S *	12/2008	Robson	D7/395
D630,053 S *	1/2011	Josancy	D7/395

D630,056 S *	1/2011	Rae	D7/395
D635,396 S *	4/2011	Rae	D7/395
D644,872 S *	9/2011	McEldowney	D7/395
D650,216 S *	12/2011	Rae	D7/395
D651,451 S *	1/2012	Rae	D7/395

* cited by examiner

Primary Examiner — Cynthia M Chin

(74) *Attorney, Agent, or Firm* — Edward S. Sherman

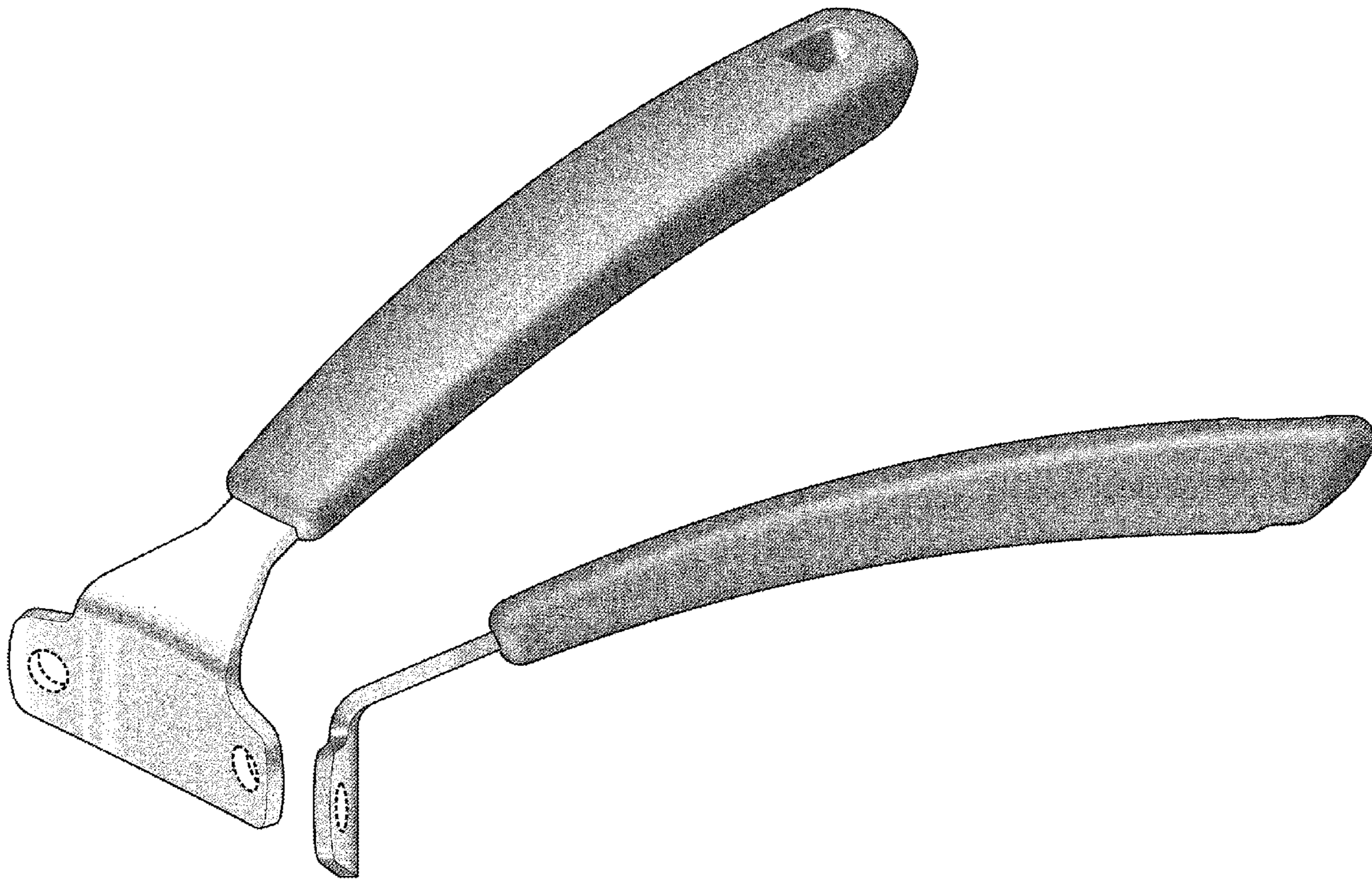
(57) **CLAIM**

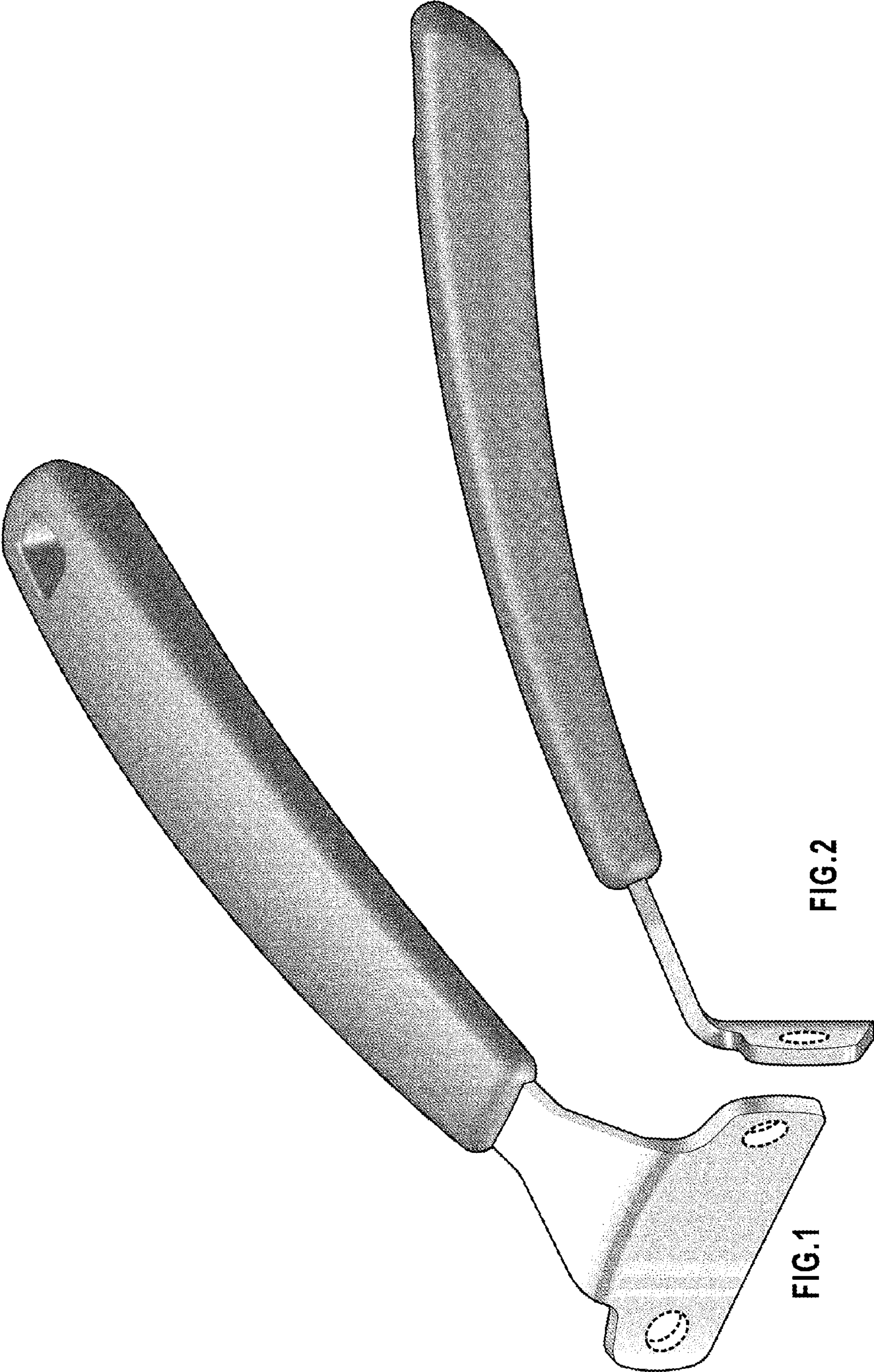
The ornamental design for a cookware elongated side handle, as shown and described.

DESCRIPTION

FIG. 1 is a perspective view of the cookware elongated side handle, showing my new design; FIG. 2 is a right side elevation view thereof; the left side elevation view being the mirror image thereof; FIG. 3 is a top plan view thereof; FIG. 4 is a bottom plan view thereof; FIG. 5 is a front elevation view thereof; and, FIG. 6 is a back elevation view thereof. The broken lines in FIGS. 1-6 are for illustrative purposes only, depicting the environment of the new design, forming no part thereof as claimed.

1 Claim, 3 Drawing Sheets





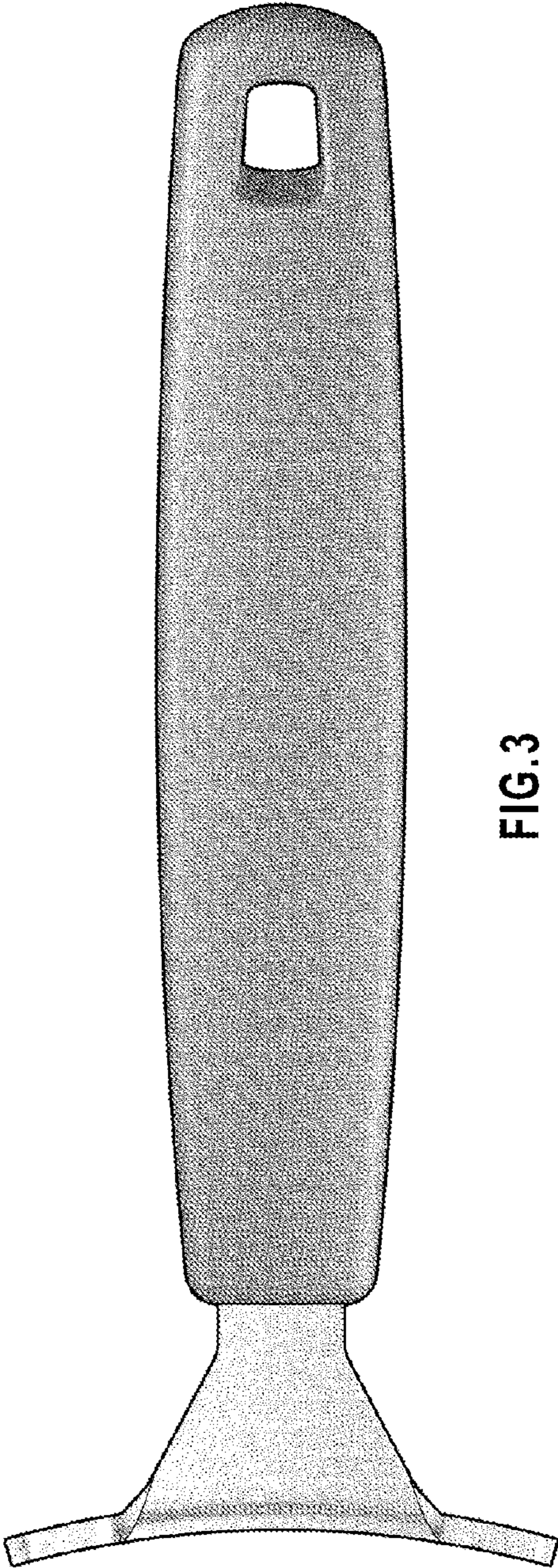


FIG.3

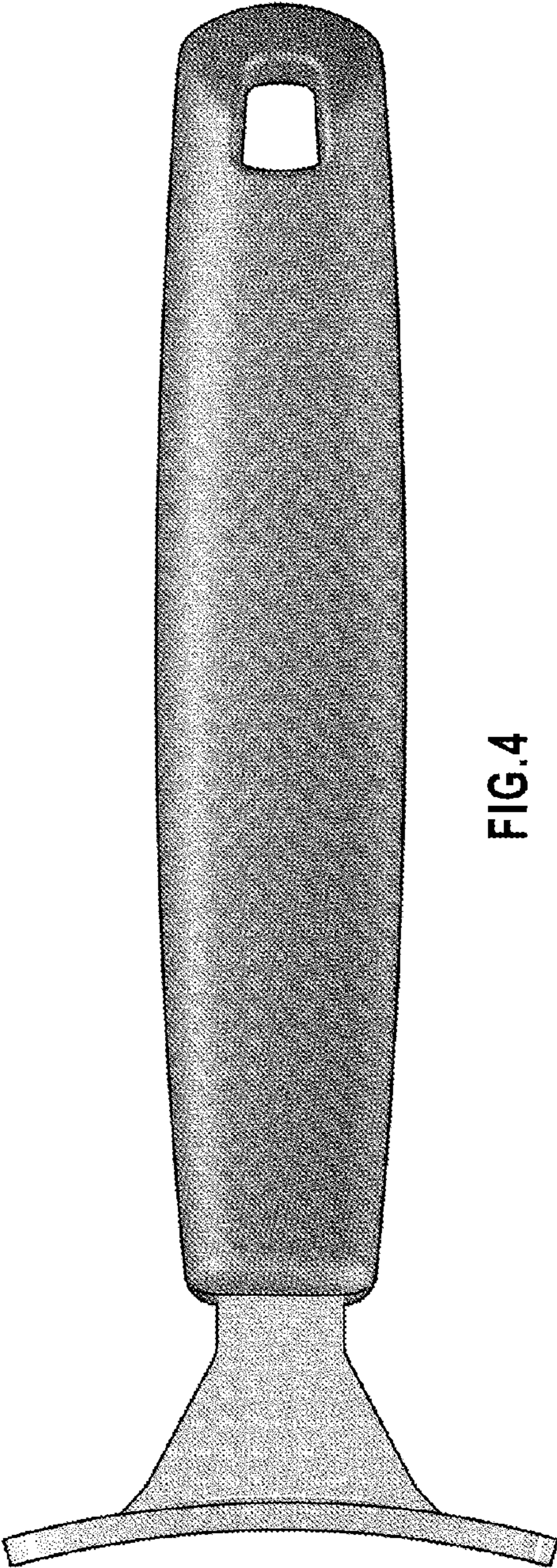


FIG.4

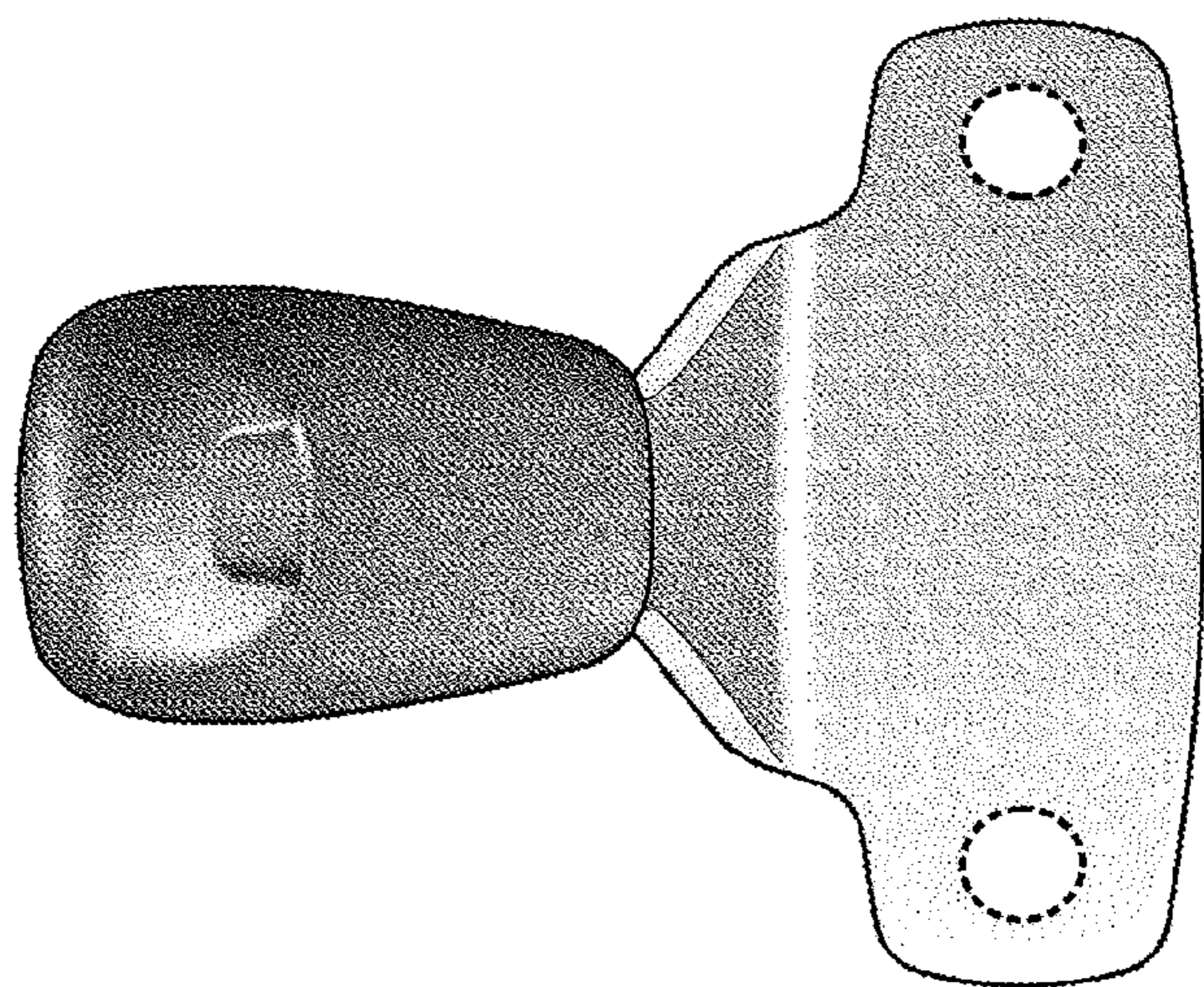


FIG. 6

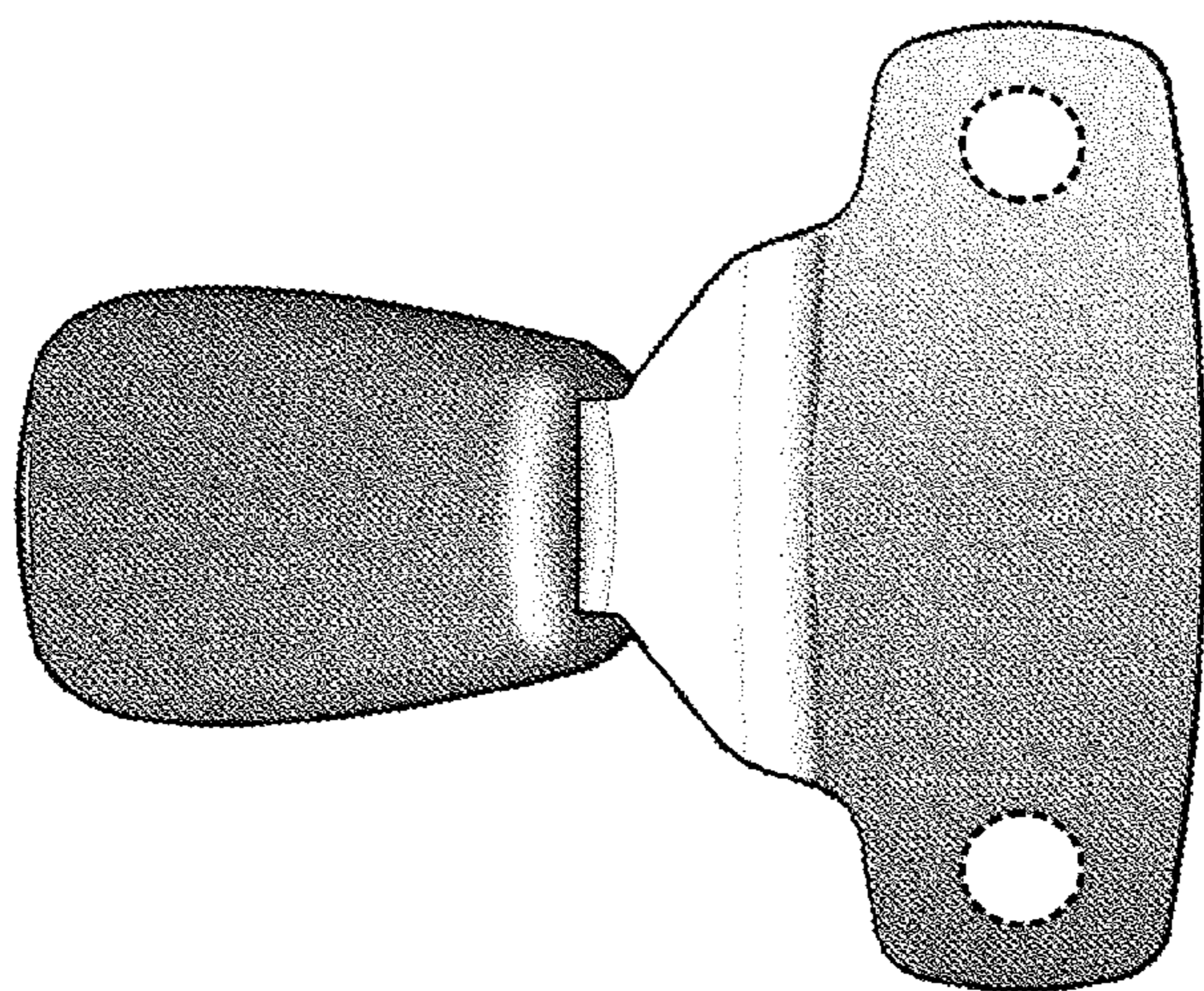


FIG. 5