



US00D672187S

(12) **United States Design Patent**
Milewski et al.

(10) **Patent No.:** **US D672,187 S**

(45) **Date of Patent:** **** Dec. 11, 2012**

(54) **LIQUID DISPENSING APPARATUS FOR USE
IN PREPARING FLAVORED BEVERAGES**

D584,098 S * 1/2009 Webster et al. D7/309
D600,492 S * 9/2009 Hammad et al. D7/309
D641,196 S * 7/2011 Gaydon D7/316

(75) Inventors: **Thomas Milewski**, Halstenbek (DE);
Heiko Tullney, Hamburg (DE)

* cited by examiner

(73) Assignee: **Brita GmbH**, Taunusstein (DE)

Primary Examiner — Marianne Pandozzi

(**) Term: **14 Years**

(74) *Attorney, Agent, or Firm* — Hudak, Shunk & Farine Co.
LPA

(21) Appl. No.: **29/372,430**

(57) **CLAIM**

(22) Filed: **Nov. 18, 2010**

The ornamental design for an “liquid dispensing apparatus for use in preparing flavored beverages,” as shown and described.

(30) **Foreign Application Priority Data**

May 18, 2010 (DE) 40 2010 002 757

DESCRIPTION

(51) **LOC (9) Cl.** **07-01**

(52) **U.S. Cl.** **D7/306; D7/311; D7/309**

(58) **Field of Classification Search** D7/300,
D7/305, 306, 313, 316, 317, 309, 311; 222/185.1,
222/146.6, 183; 210/774; D15/82; D23/207
See application file for complete search history.

FIG. 1 is a right front perspective view of a liquid dispensing apparatus for use in preparing flavored beverages showing our new design;

FIG. 2 is a right front perspective view thereof with the environmental structure removed;

FIG. 3 is a front view thereof;

FIG. 4 is a right side view thereof, the left side view being a mirror image thereof;

FIG. 5 is a top view thereof;

FIG. 6 is a rear view thereof;

FIG. 7 is a left side view thereof in open position;

FIG. 8 is a right front perspective view thereof in open position; and,

FIG. 9 is a top view thereof in open position.

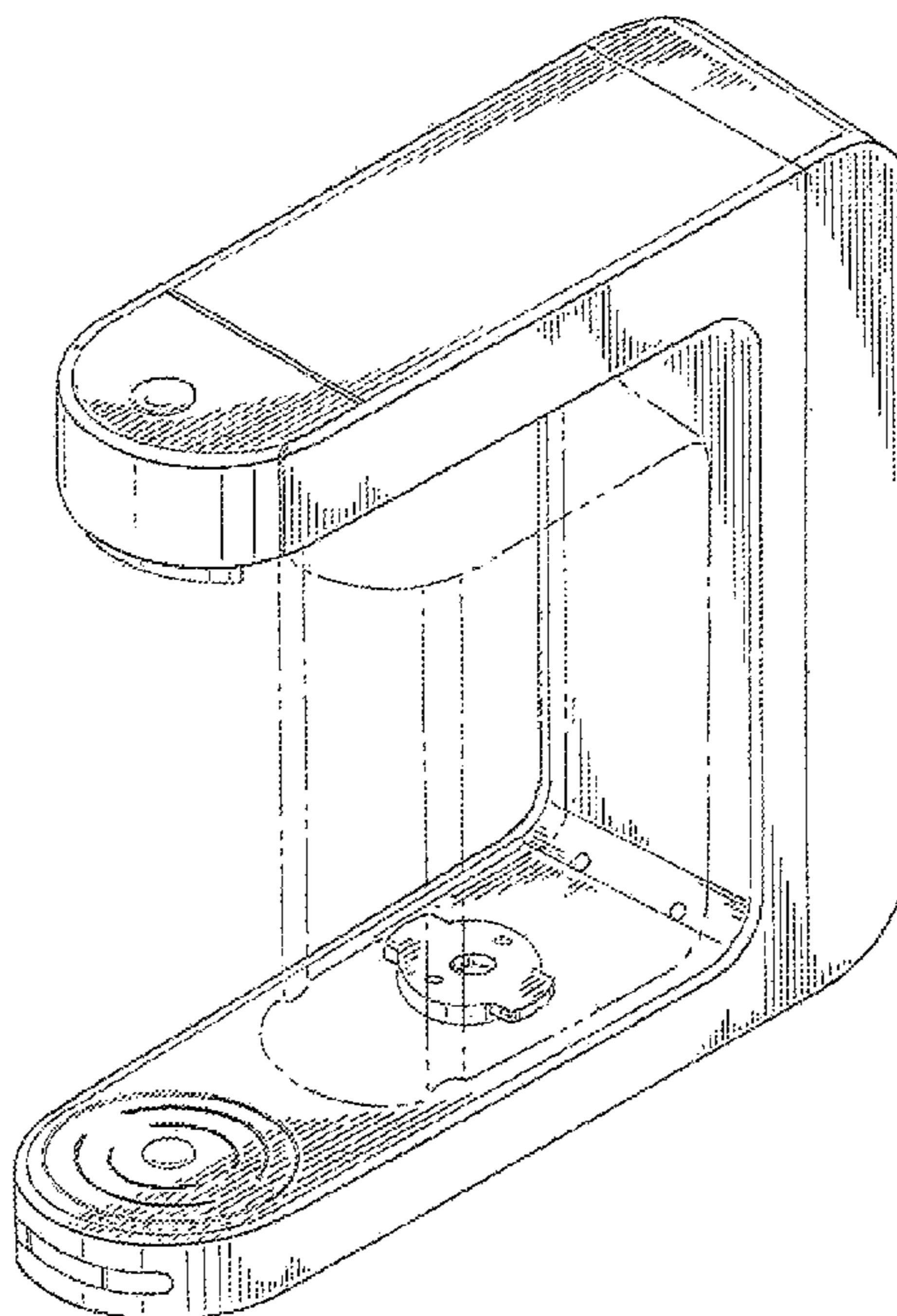
The broken lines showing the water container are included for the purpose of illustrating environment and form no part of the claimed design.

(56) **References Cited**

U.S. PATENT DOCUMENTS

D248,721 S * 8/1978 Sato et al. D7/309
D278,200 S * 4/1985 Dahlberg D7/312
D283,969 S * 5/1986 Sastre D7/309
D286,127 S * 10/1986 Sastre D7/309
D291,525 S * 8/1987 Classen D7/309
D300,596 S * 4/1989 Eugster D7/309
D319,752 S * 9/1991 Adams et al. D7/309
D420,425 S * 2/2000 Micoley et al. D23/207
6,702,154 B2 * 3/2004 Ellis 222/185.1
D496,210 S * 9/2004 Netter D7/306
D573,392 S * 7/2008 Smith D7/306

1 Claim, 3 Drawing Sheets



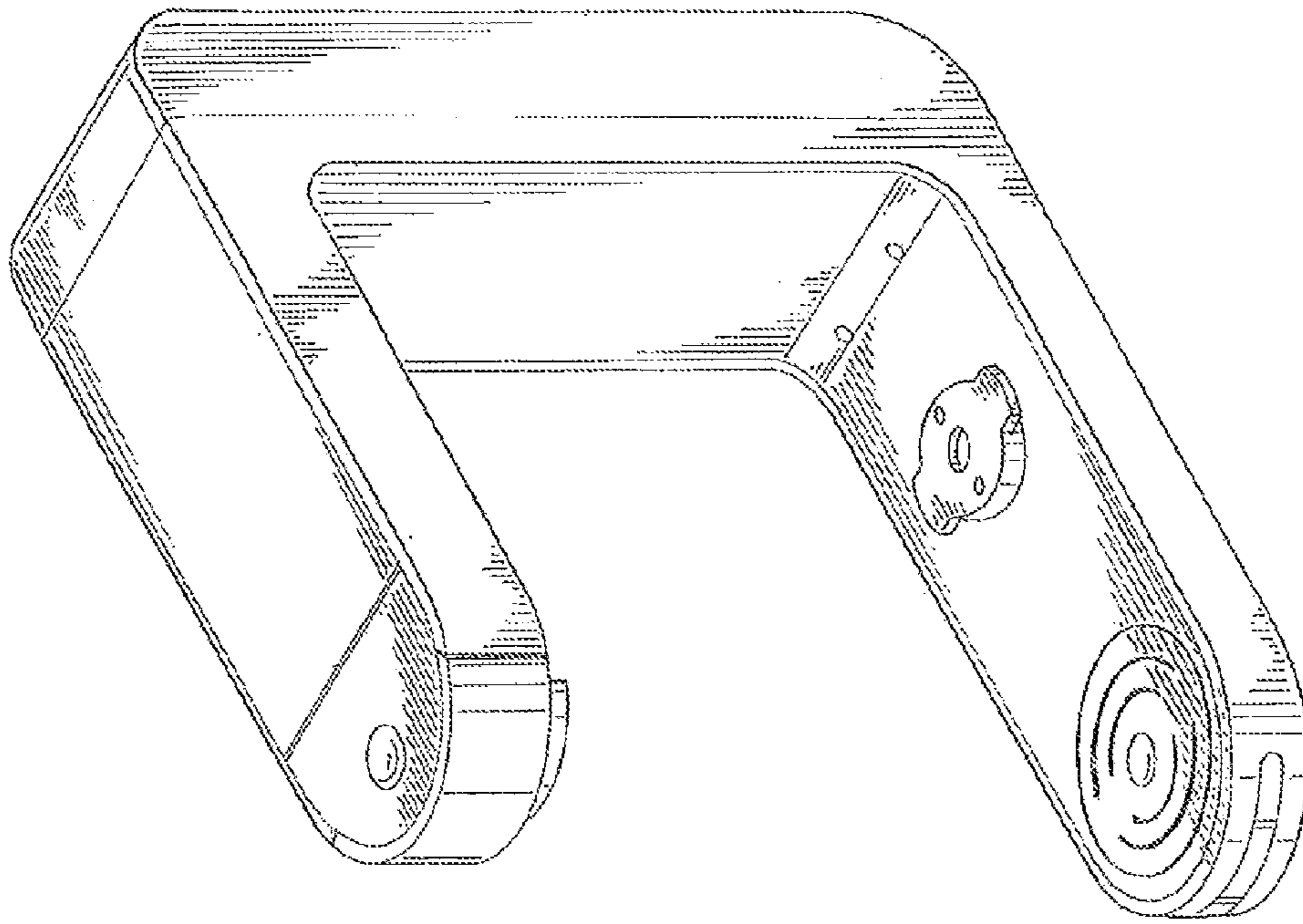


FIG.-2

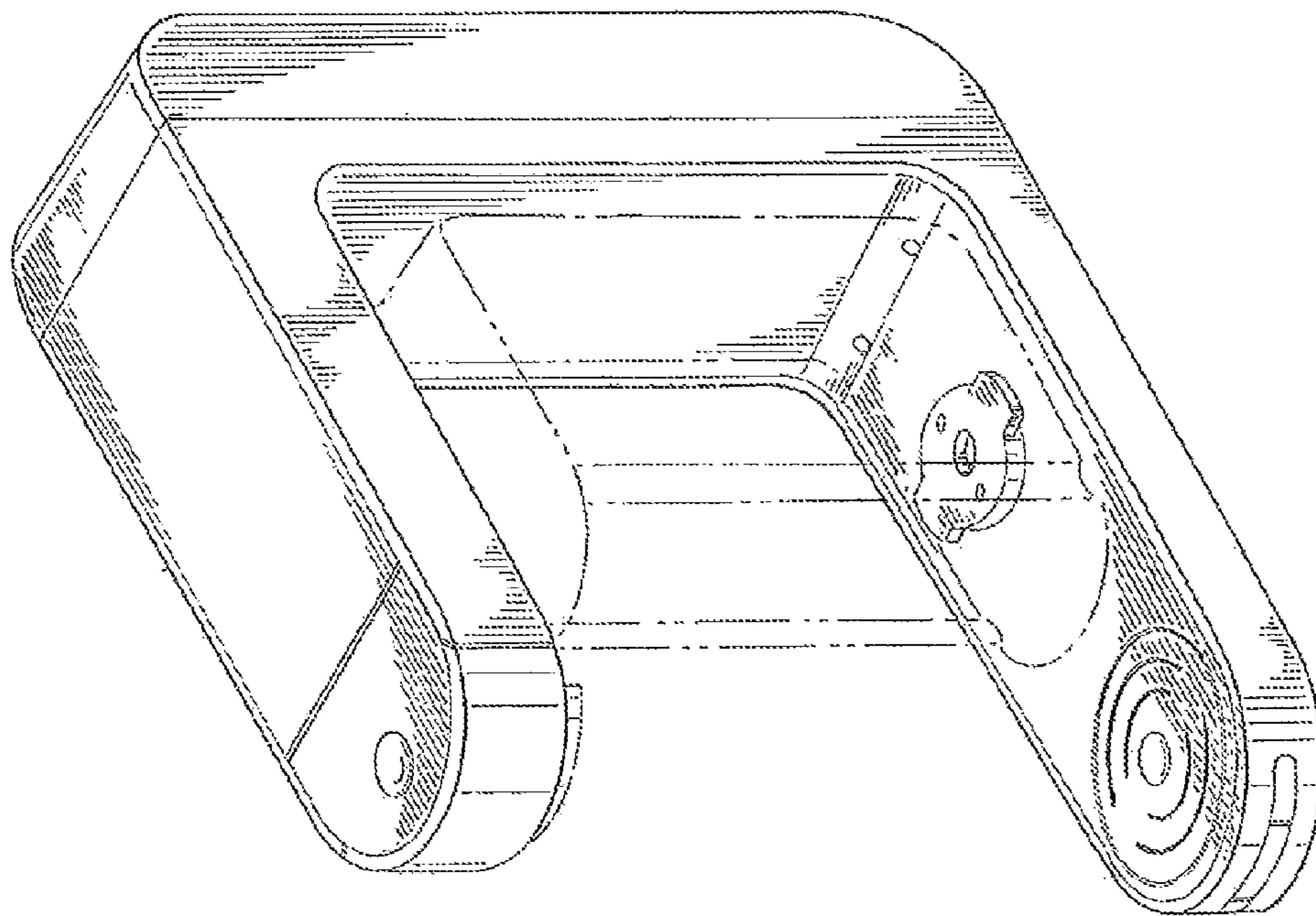


FIG.-1

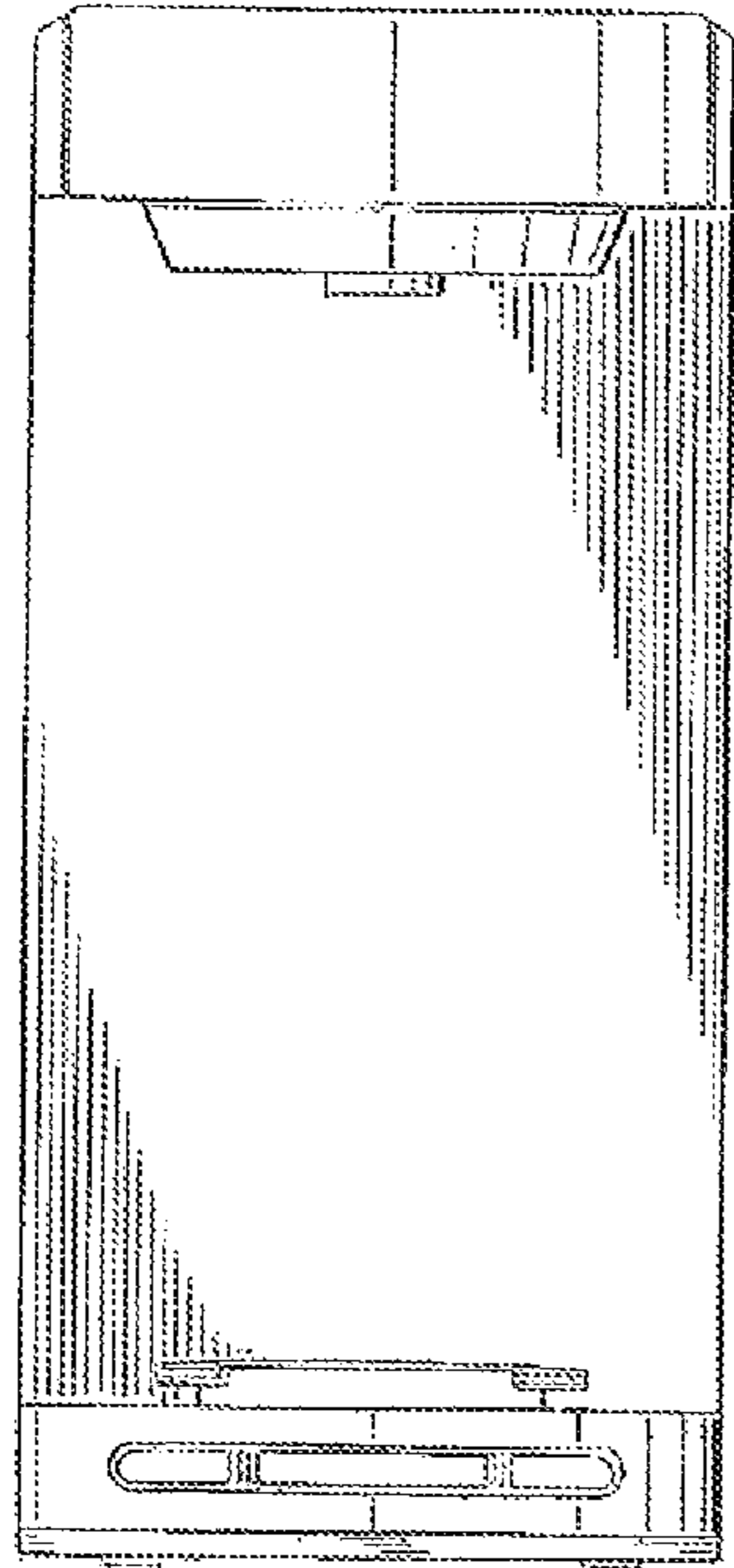


FIG. -3

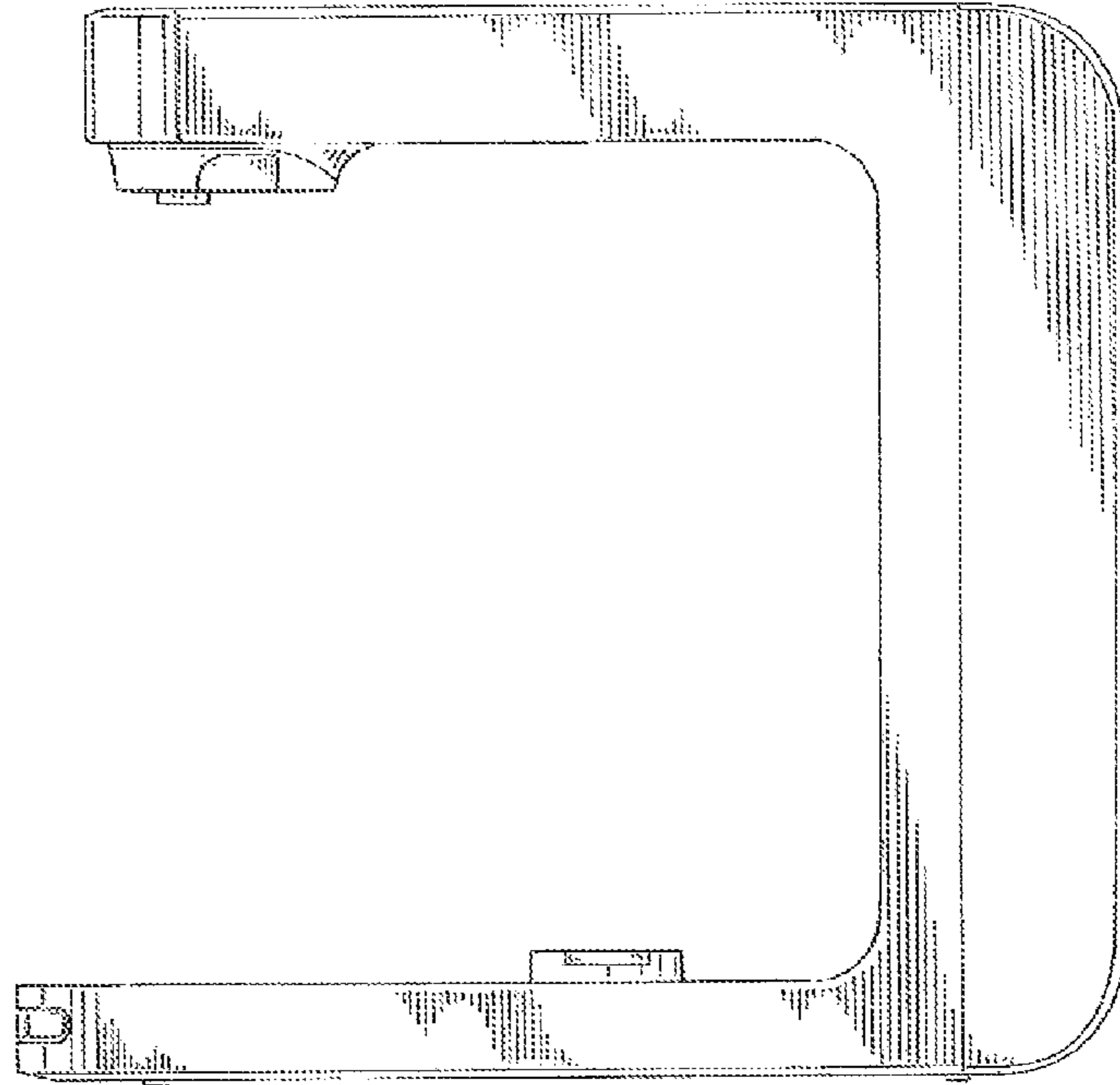


FIG. -4

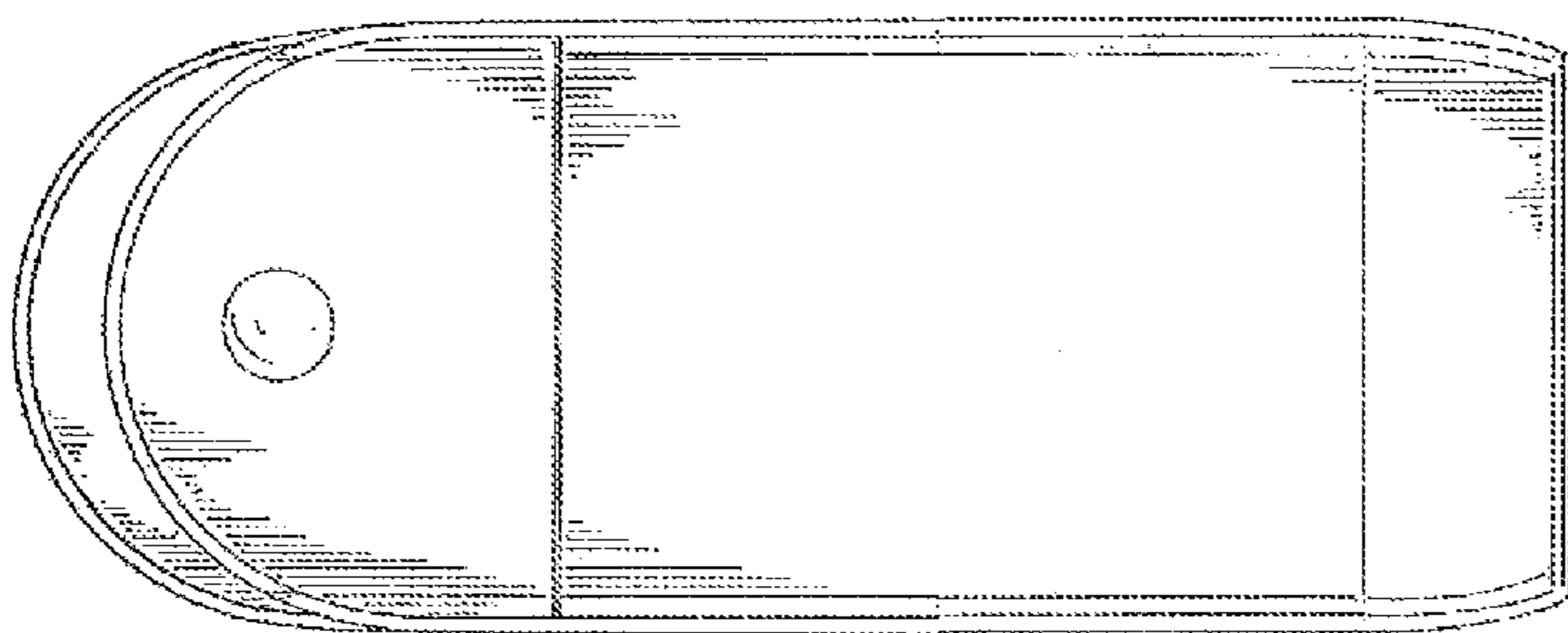


FIG. -5

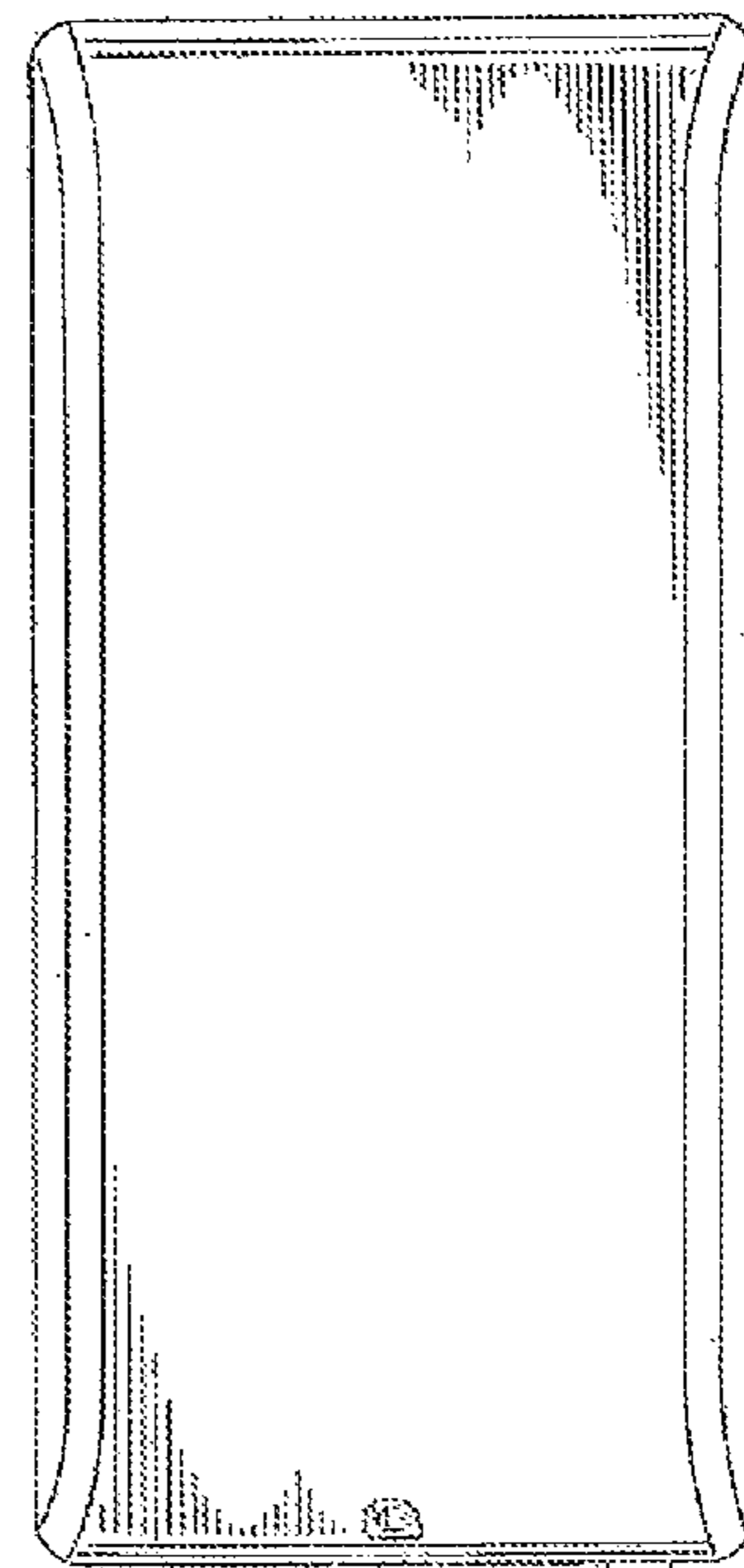


FIG. -6

FIG.-7

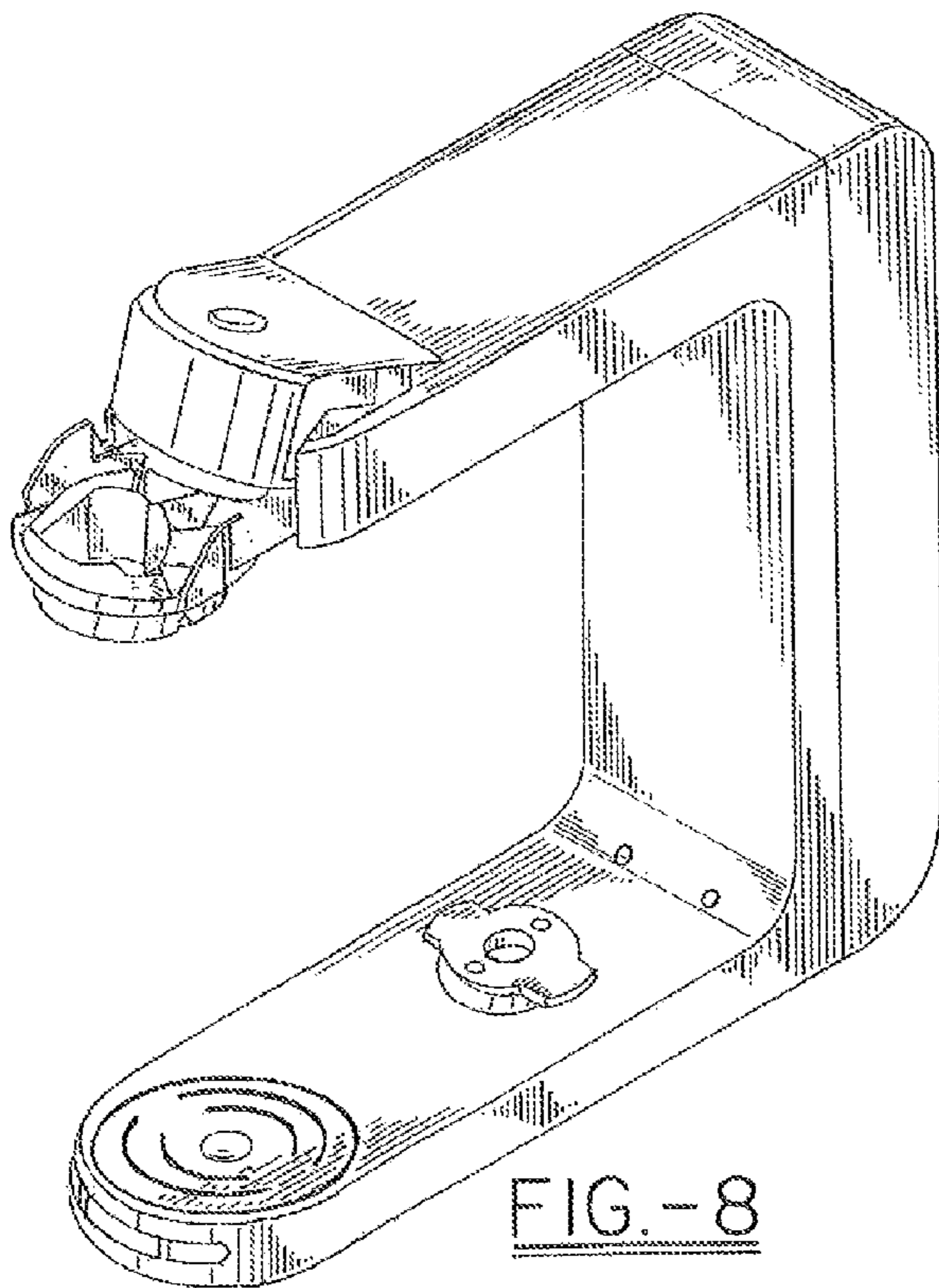
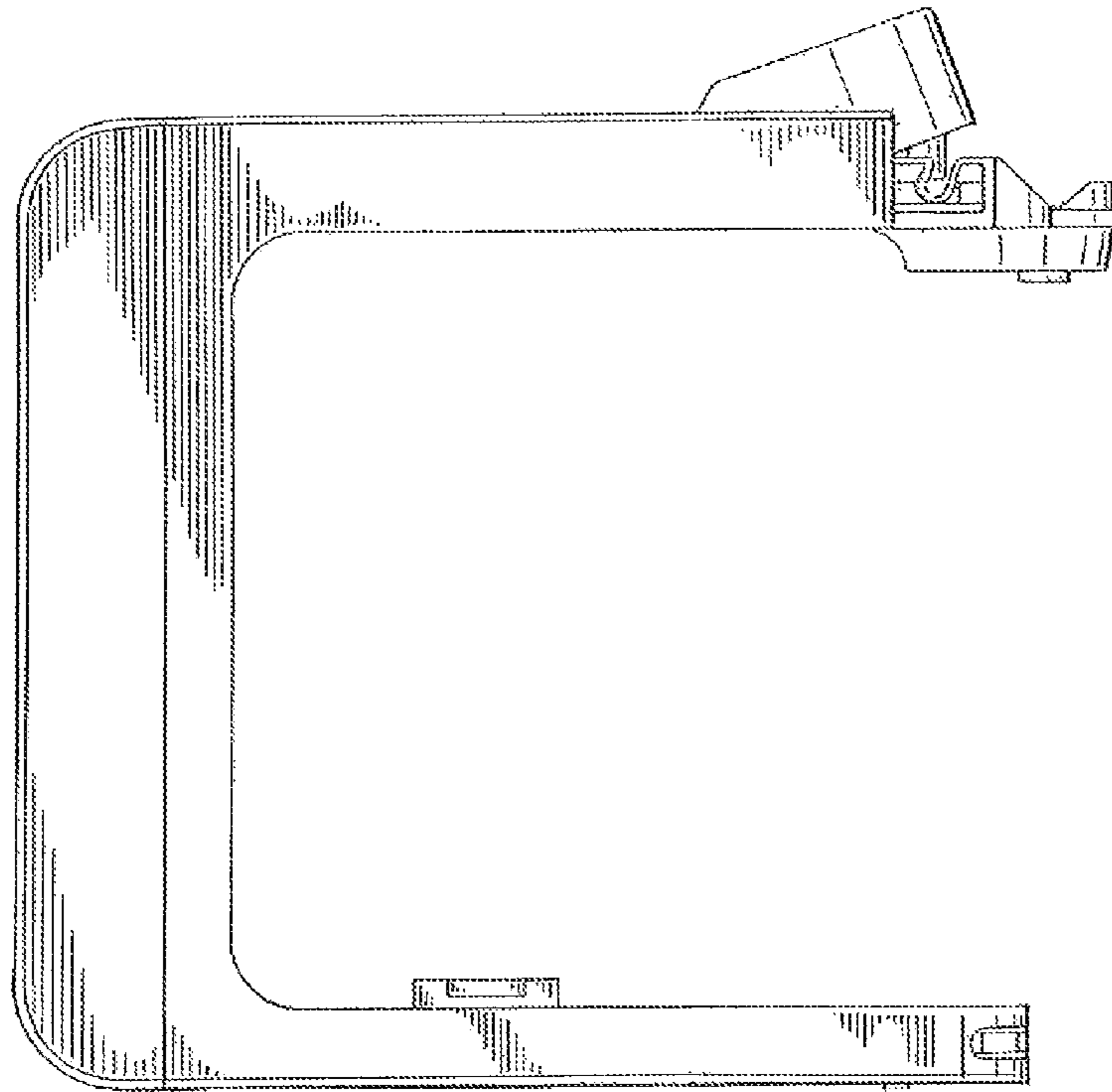


FIG.-8

FIG.-9

