



US00D672178S

(12) **United States Design Patent**
Walker

(10) **Patent No.:** **US D672,178 S**

(45) **Date of Patent:** **** Dec. 11, 2012**

(54) **WALL-MOUNTABLE TOWEL BAR**

(75) Inventor: **David Lamont Walker**, Chester, PA
(US)

(73) Assignee: **Zenith Products Corporation**, New
Castle, DE (US)

(**) Term: **14 Years**

(21) Appl. No.: **29/397,440**

(22) Filed: **Jul. 15, 2011**

(51) **LOC (9) Cl.** **06-04**

(52) **U.S. Cl.** **D6/549; D6/550**

(58) **Field of Classification Search** D6/518–524,
D6/546–550, 574; D8/300, 370, 315; 108/28–29;
211/13.1, 16, 85.5, 86.01, 87.01, 88.04, 100,
211/105.1, 105.2, 106, 113, 123, 181.1, 182–183;
248/49, 175, 176.1, 200, 201, 205.1, 251,
248/302, 309.1, 315; 242/570, 590, 595–598
See application file for complete search history.

(56) **References Cited**

U.S. PATENT DOCUMENTS

D463,935 S *	10/2002	Zhao	D6/549
D516,849 S *	3/2006	Ferrer Beltran	D6/549
D516,850 S *	3/2006	Shieh	D6/549
D540,087 S *	4/2007	Barry	D6/549
D540,599 S *	4/2007	Krumpe et al.	D6/549

D606,792 S * 12/2009 Yoo D6/549

* cited by examiner

Primary Examiner — Brian N Vinson

(74) *Attorney, Agent, or Firm* — Panitch Schwarze Belisario
& Nadel LLP

(57) **CLAIM**

The ornamental design for a wall-mountable towel bar, as
shown and described.

DESCRIPTION

FIG. 1 is a right front perspective view of a wall-mountable
towel bar in accordance with my new design;

FIG. 2 is a front elevational view thereof;

FIG. 3 is a top plan view thereof, the bottom plan view being
identical;

FIG. 4 is a right side elevational view thereof, a left side
elevational view being a mirror image thereof;

FIG. 5 is enlarged fragmentary view of a portion of the design
shown in 1, with the remaining portions omitted from the
disclosure merely for clarity of illustration;

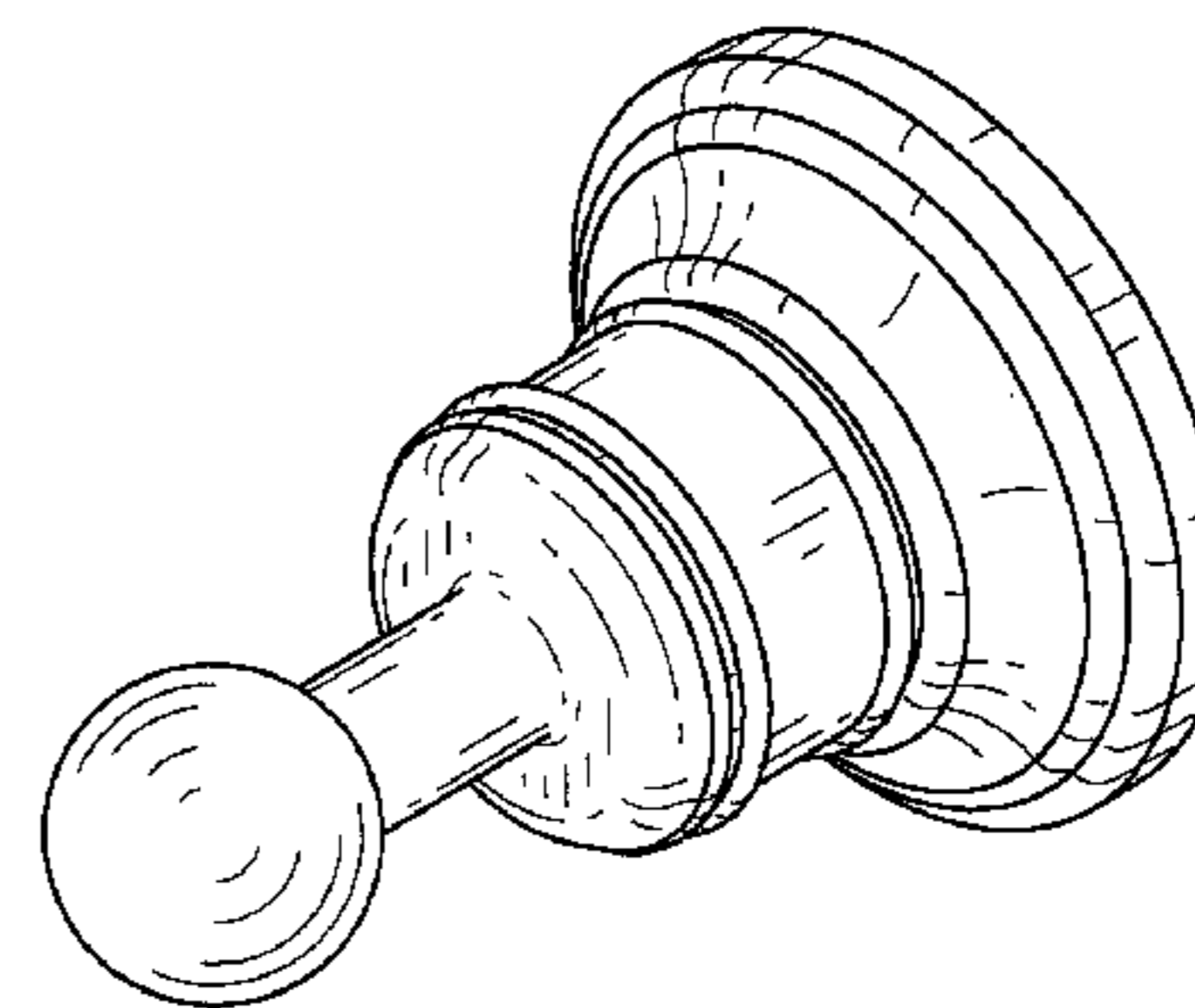
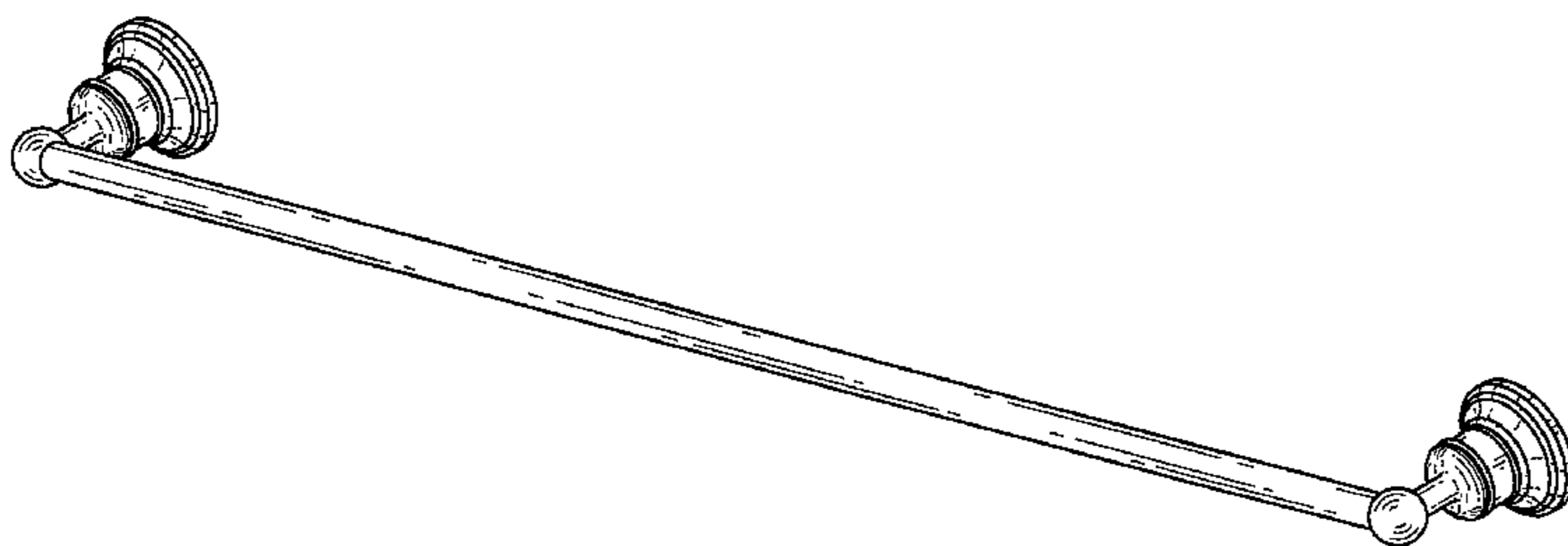
FIG. 6 is enlarged fragmentary view of a portion of the design
shown in 2;

FIG. 7 is enlarged fragmentary view of a portion of the design
shown in 3; and,

FIG. 8 is enlarged fragmentary view of a portion of the design
shown in 4.

The rear elevation view of the wall-mountable towel bar is not
shown in the drawings or described in the specification and,
therefore, forms no part of the claimed design.

1 Claim, 4 Drawing Sheets



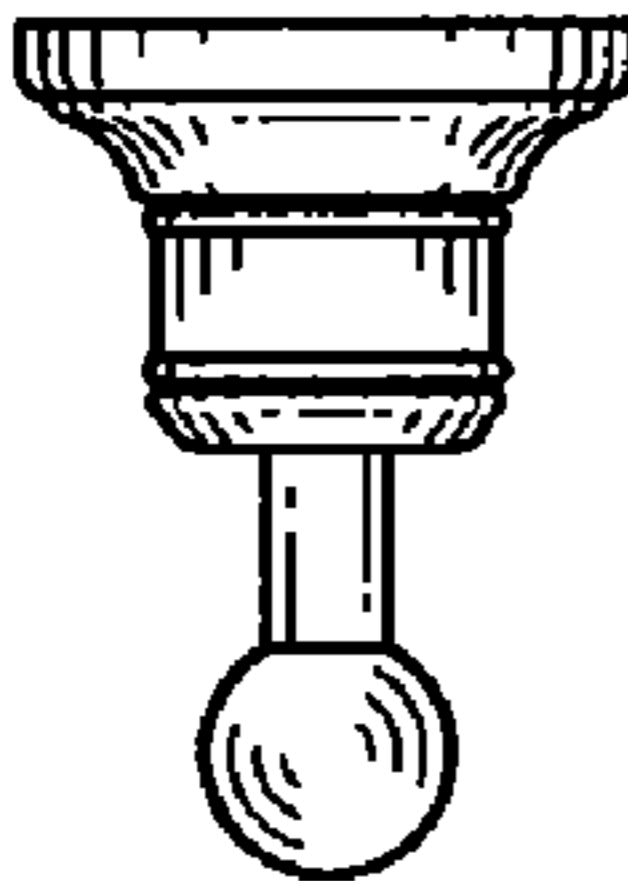


Fig. 4

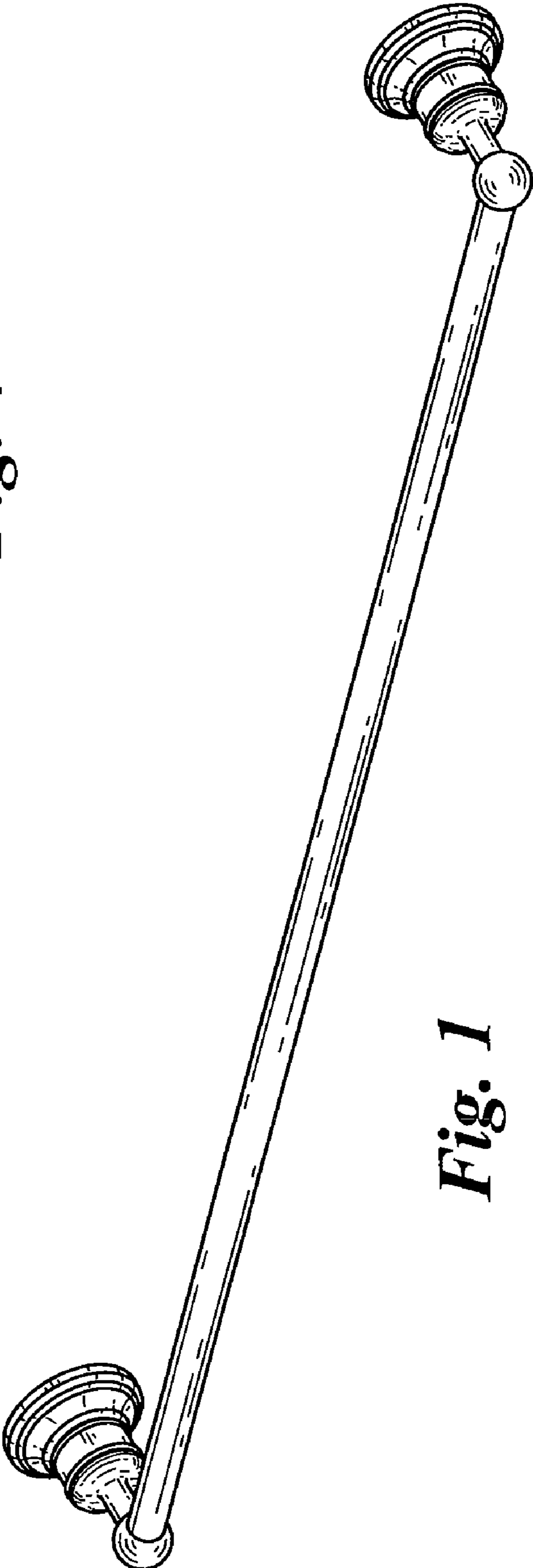


Fig. 1

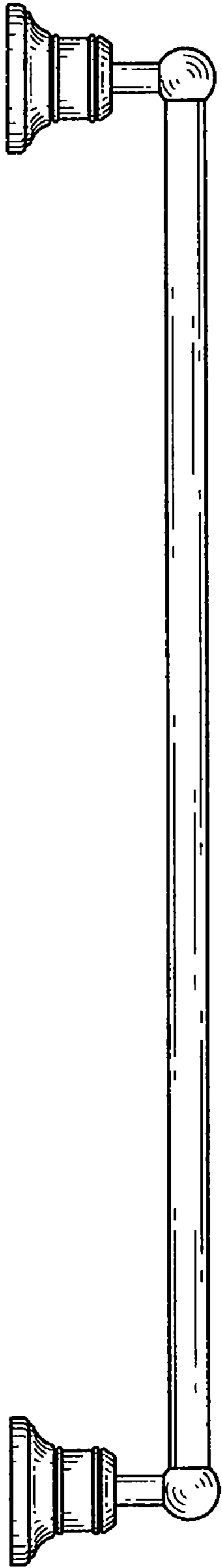


Fig. 3

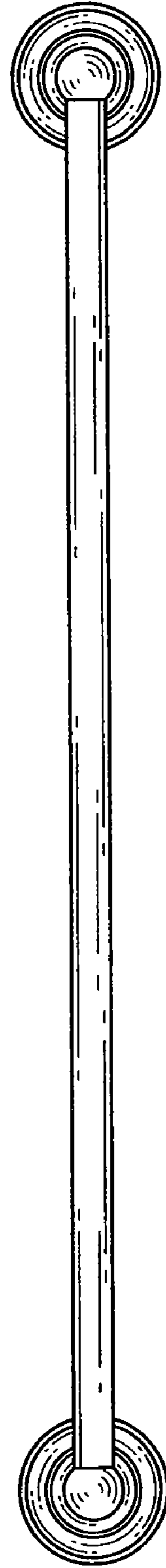


Fig. 2

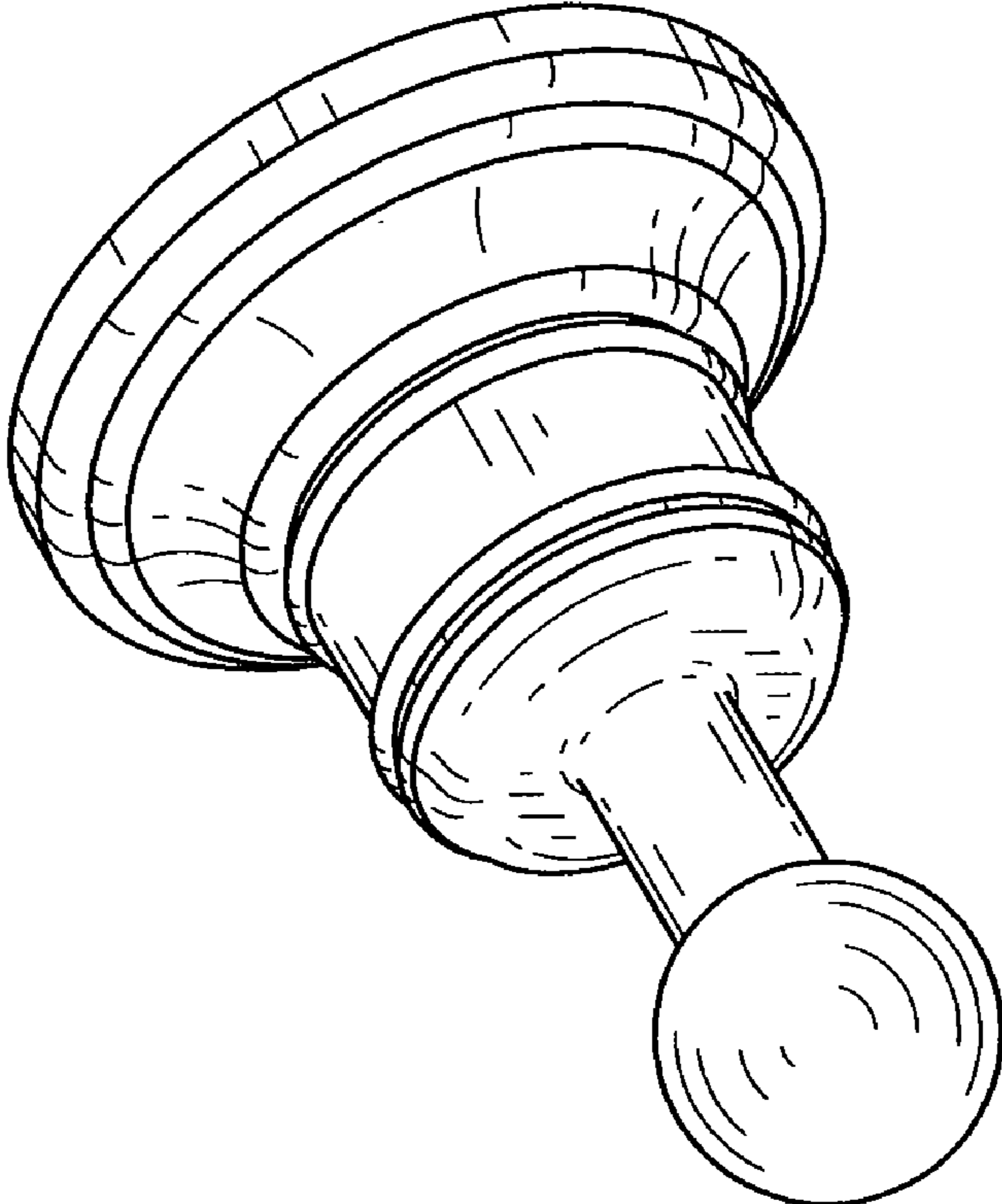


Fig. 5

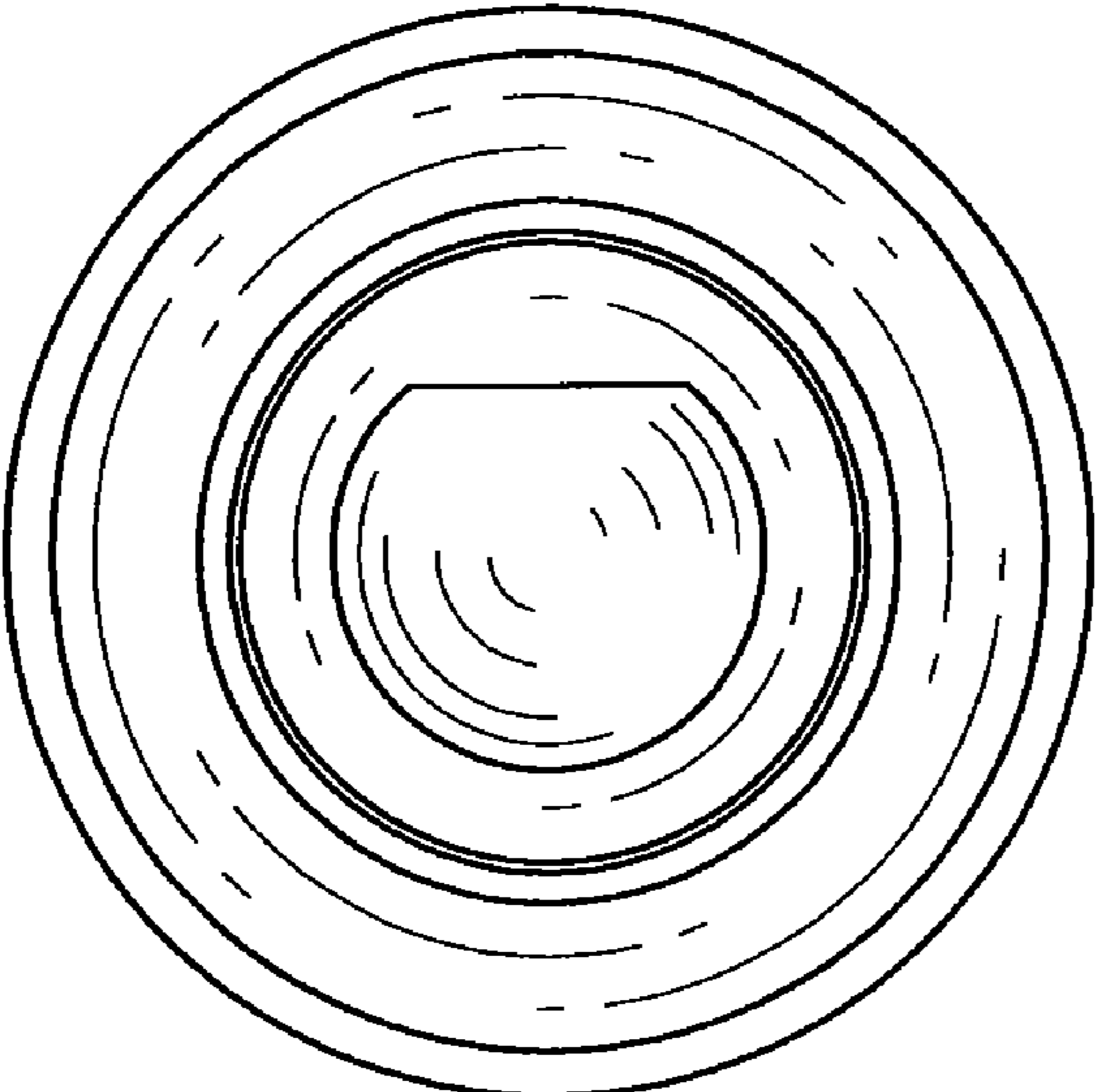


Fig. 6

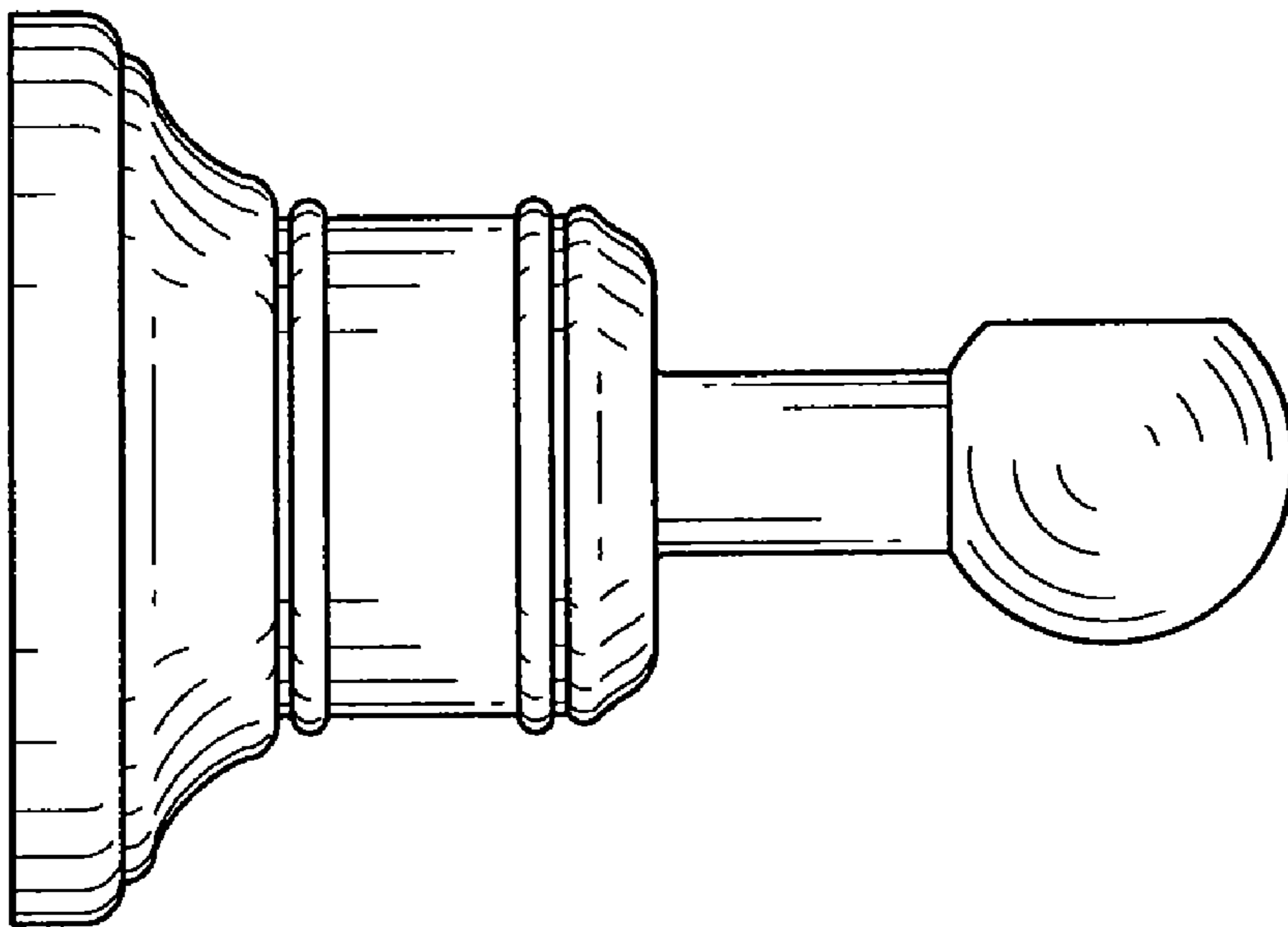


Fig. 7

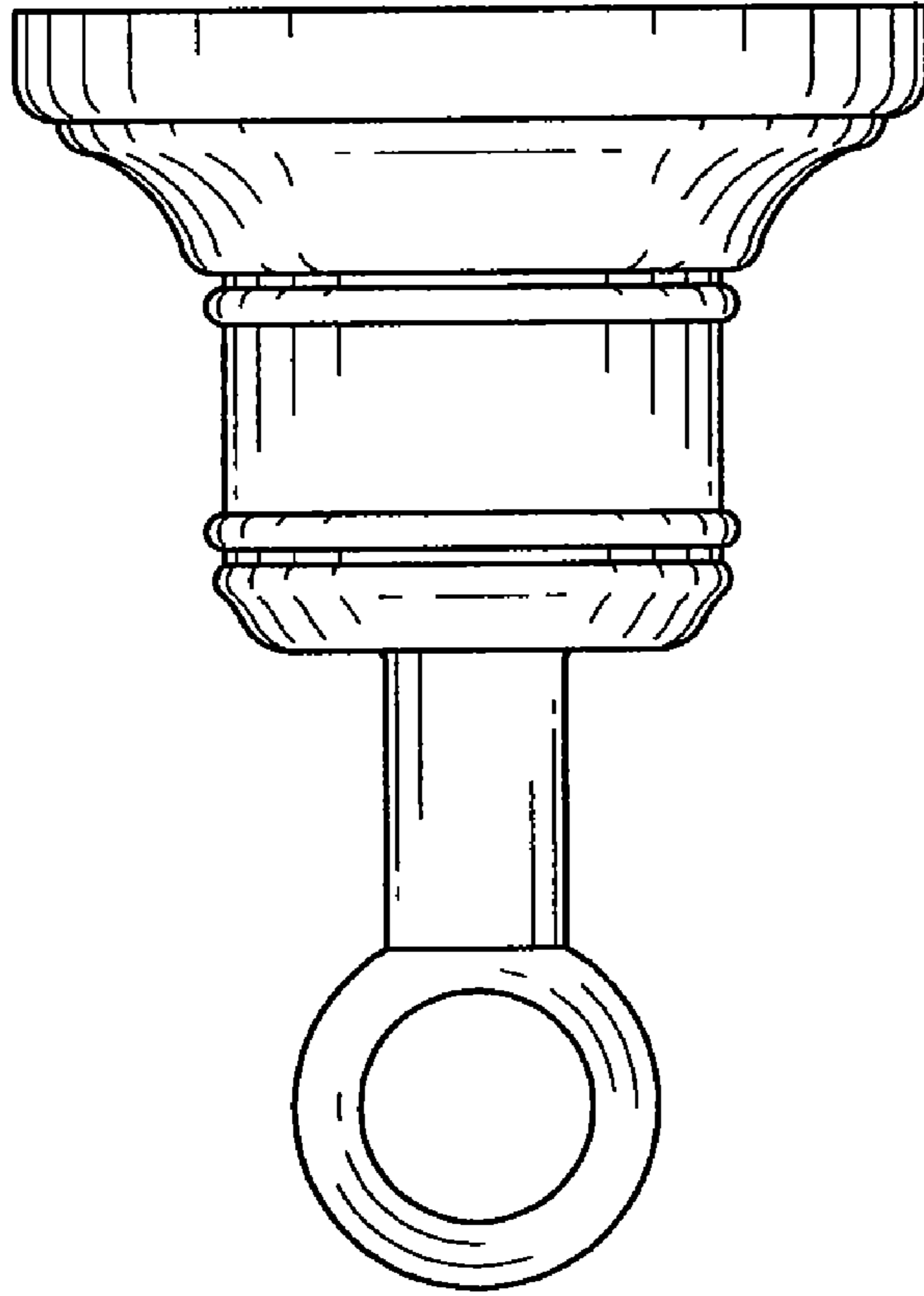


Fig. 8