



US00D672177S

(12) **United States Design Patent**
Zeng

(10) **Patent No.:** **US D672,177 S**

(45) **Date of Patent:** **** Dec. 11, 2012**

(54) **SOAP DISPENSER**

(76) Inventor: **Liang Zeng**, Xiamen (CN)

(**) Term: **14 Years**

(21) Appl. No.: **29/416,491**

(22) Filed: **Mar. 22, 2012**

(51) **LOC (9) Cl.** **23-02**

(52) **U.S. Cl.** **D6/542**

(58) **Field of Classification Search** D6/542-545;
221/282-283, 14, 173, 146.3, 628, 251, 181.1;
222/181.3; D9/682, 688, 690, 691, 448,
D9/449

See application file for complete search history.

(56) **References Cited**

U.S. PATENT DOCUMENTS

D531,441 S *	11/2006	Soriano	D6/542
D537,666 S *	3/2007	Berberet	D6/542
D554,926 S *	11/2007	Genord et al.	D6/542
D560,942 S *	2/2008	Hanna	D6/542
D561,510 S *	2/2008	Fritz	D6/542
D607,679 S *	1/2010	Chen et al.	D6/542

D661,530 S * 6/2012 Pendleton D6/542

* cited by examiner

Primary Examiner — Brian N Vinson

(74) *Attorney, Agent, or Firm* — Jen-Feng Lee, Esq.

(57) **CLAIM**

I claim the ornamental design for a soap dispenser, as shown and described.

DESCRIPTION

FIG. 1 shows the front perspective view of a soap dispenser showing my new design;
FIG. 2 shows the elevated front view thereof;
FIG. 3 shows the top view thereof;
FIG. 4 shows the elevated left side view thereof;
FIG. 5 shows the bottom view thereof;
FIG. 6 shows the elevated right side view thereof; and,
FIG. 7 shows the rear view.

The broken line disclosure in the views is understood to represent environment added for illustrative purposes only and forming no part of the claimed design.

1 Claim, 7 Drawing Sheets

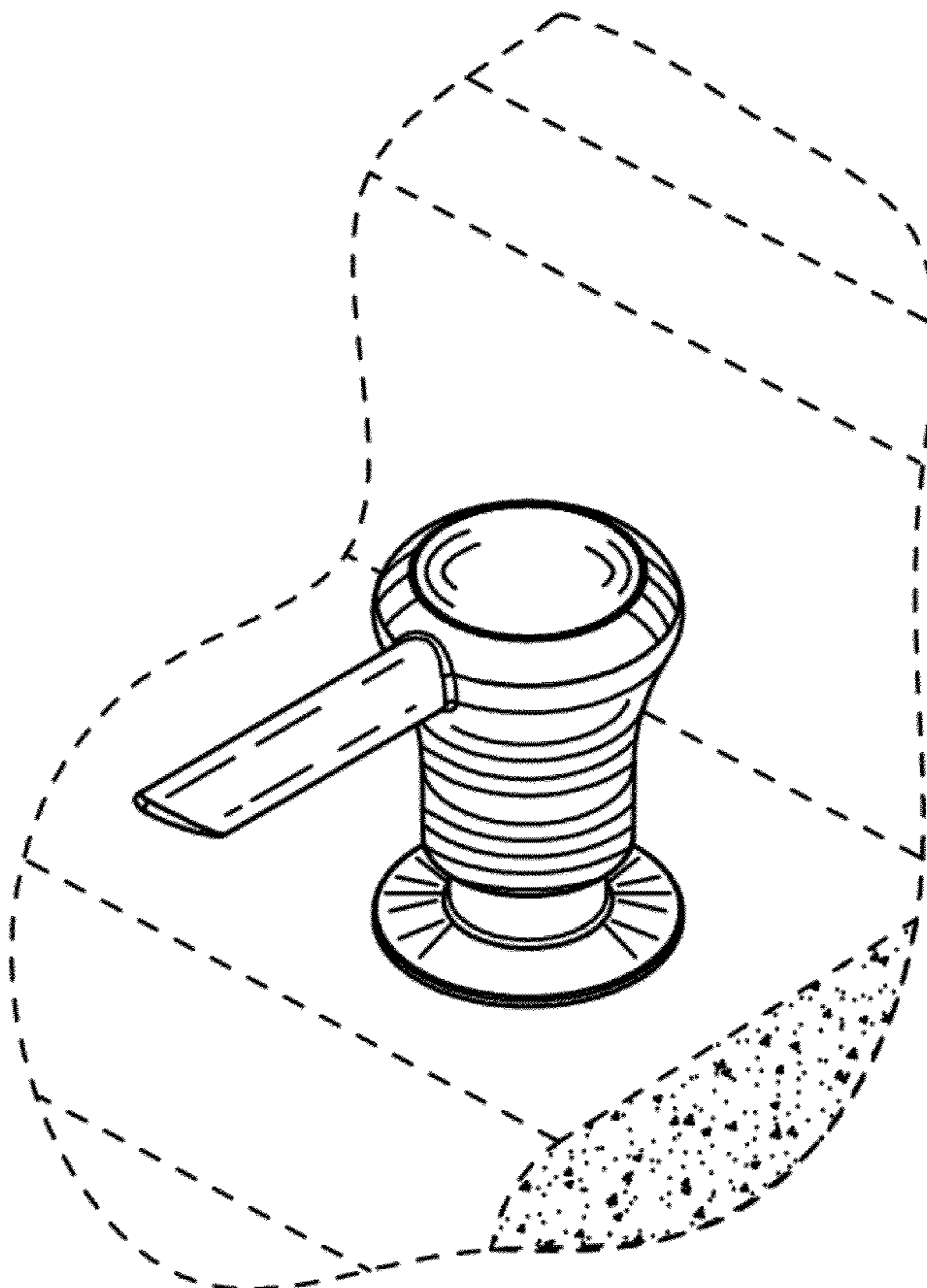


FIG1

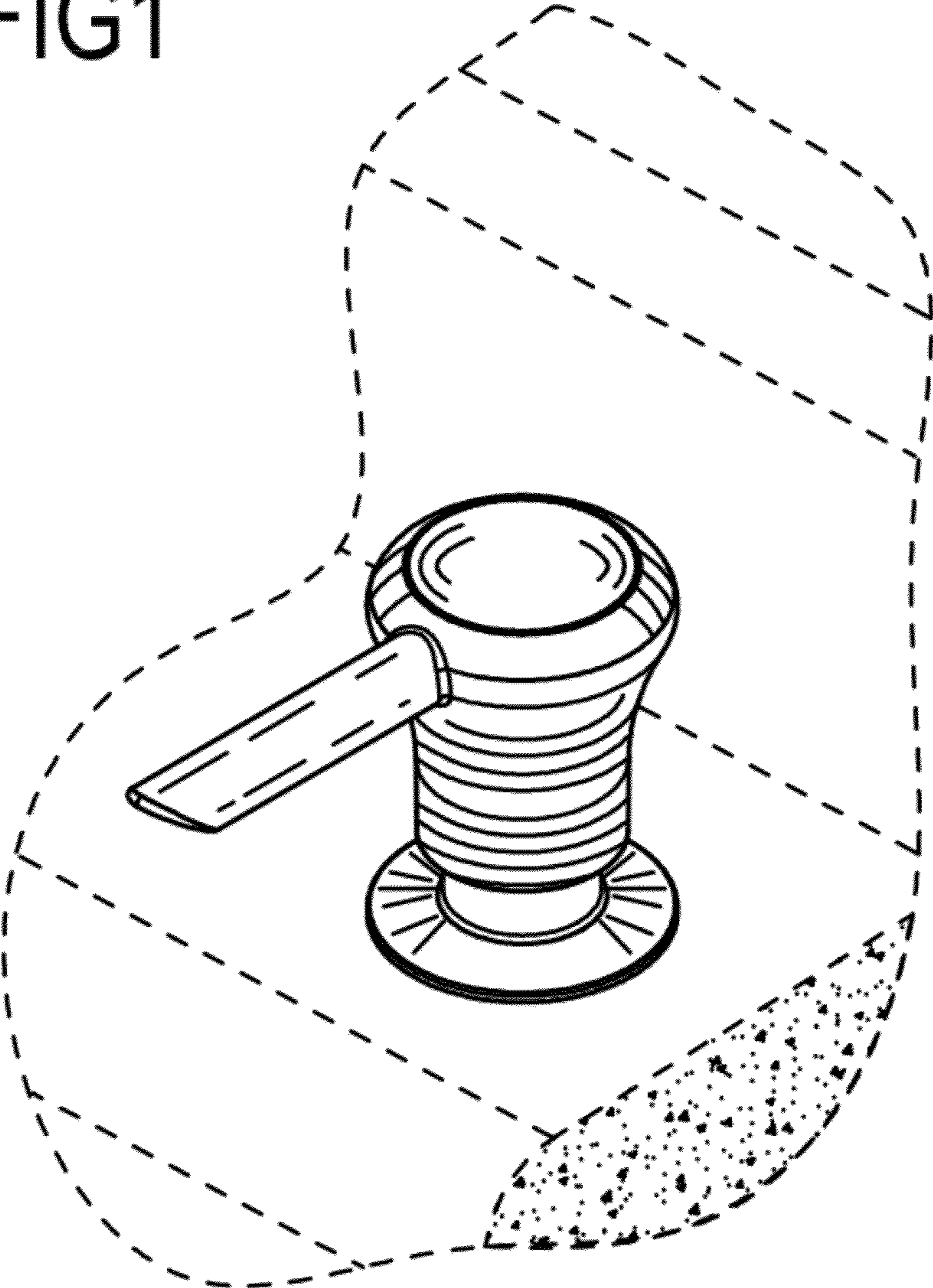


FIG 2

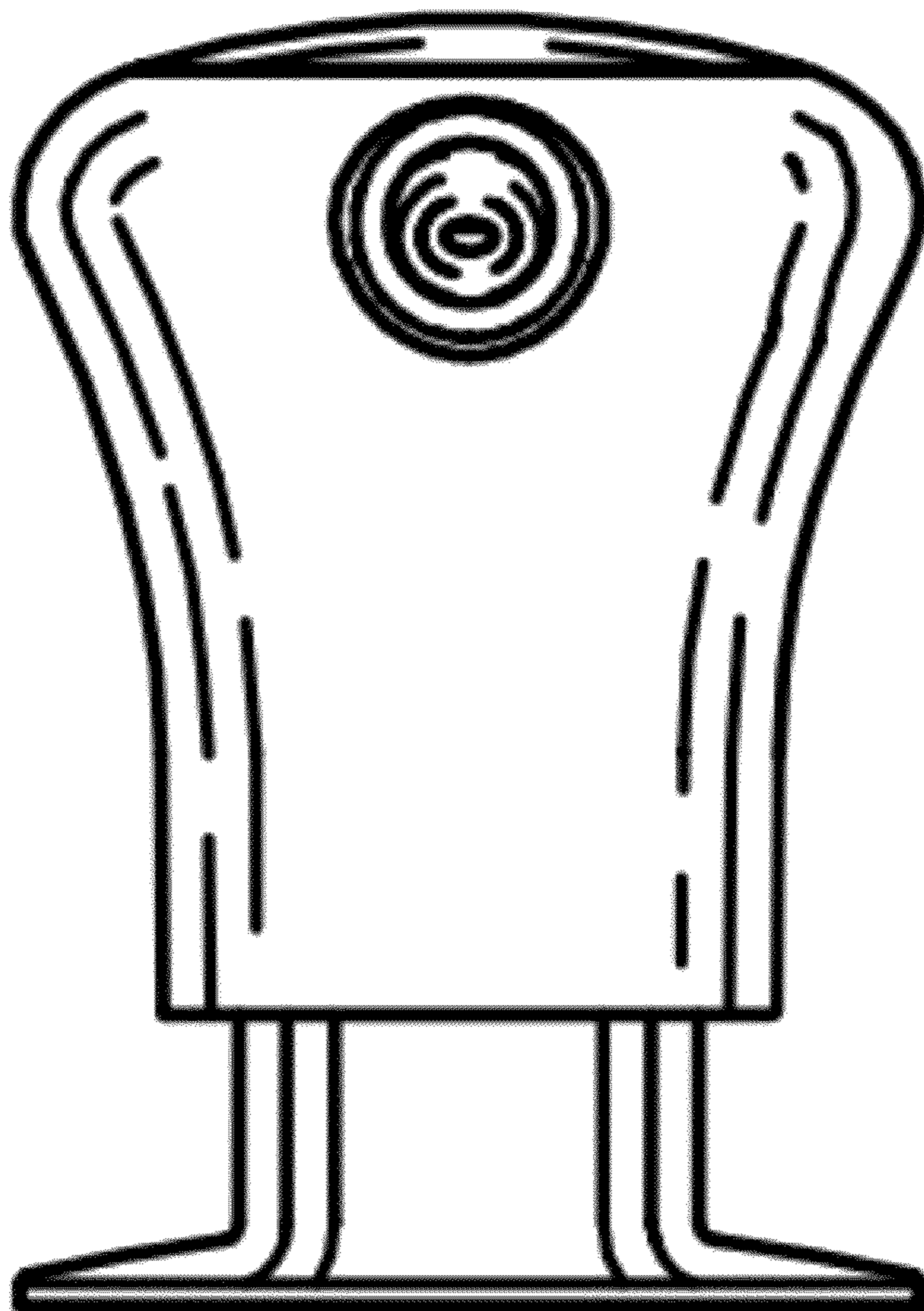


FIG 3

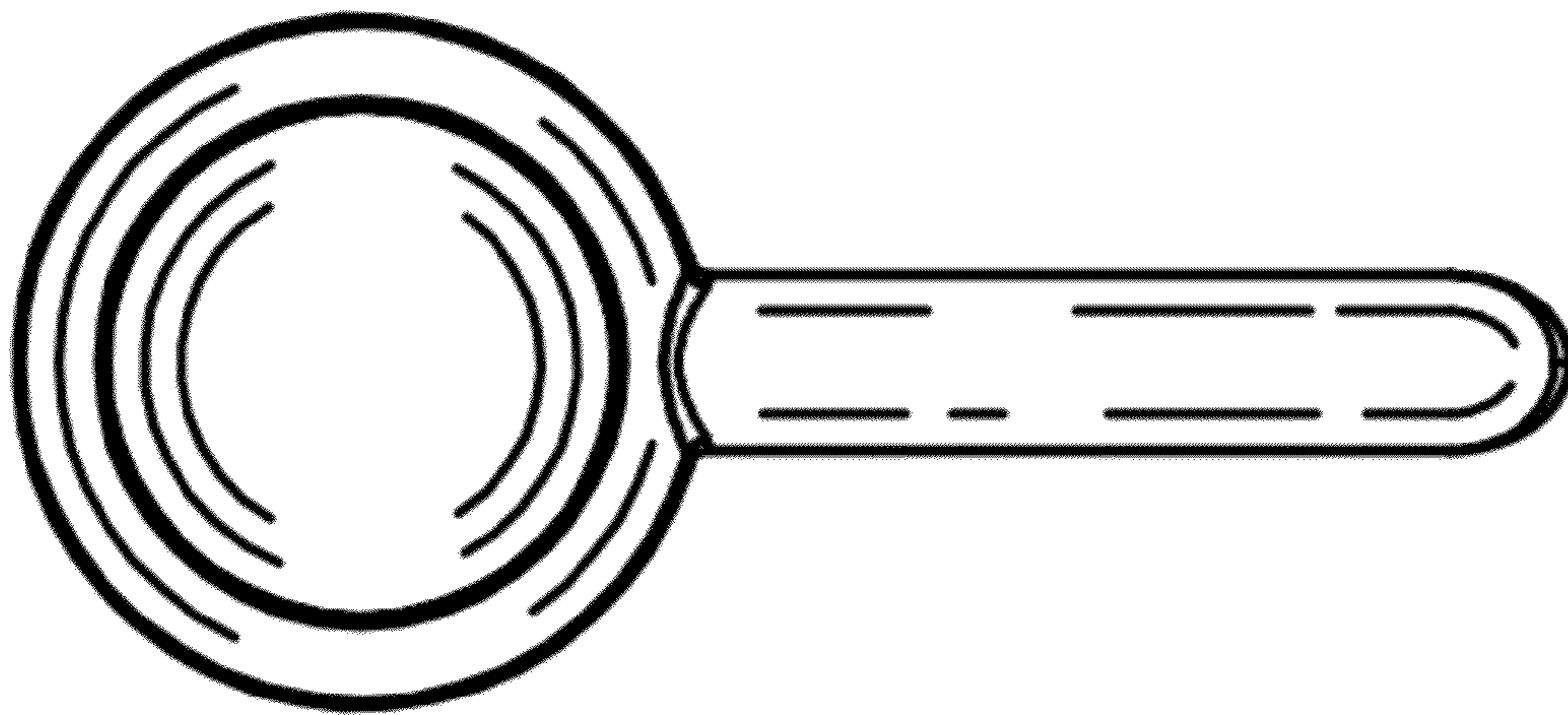


FIG4

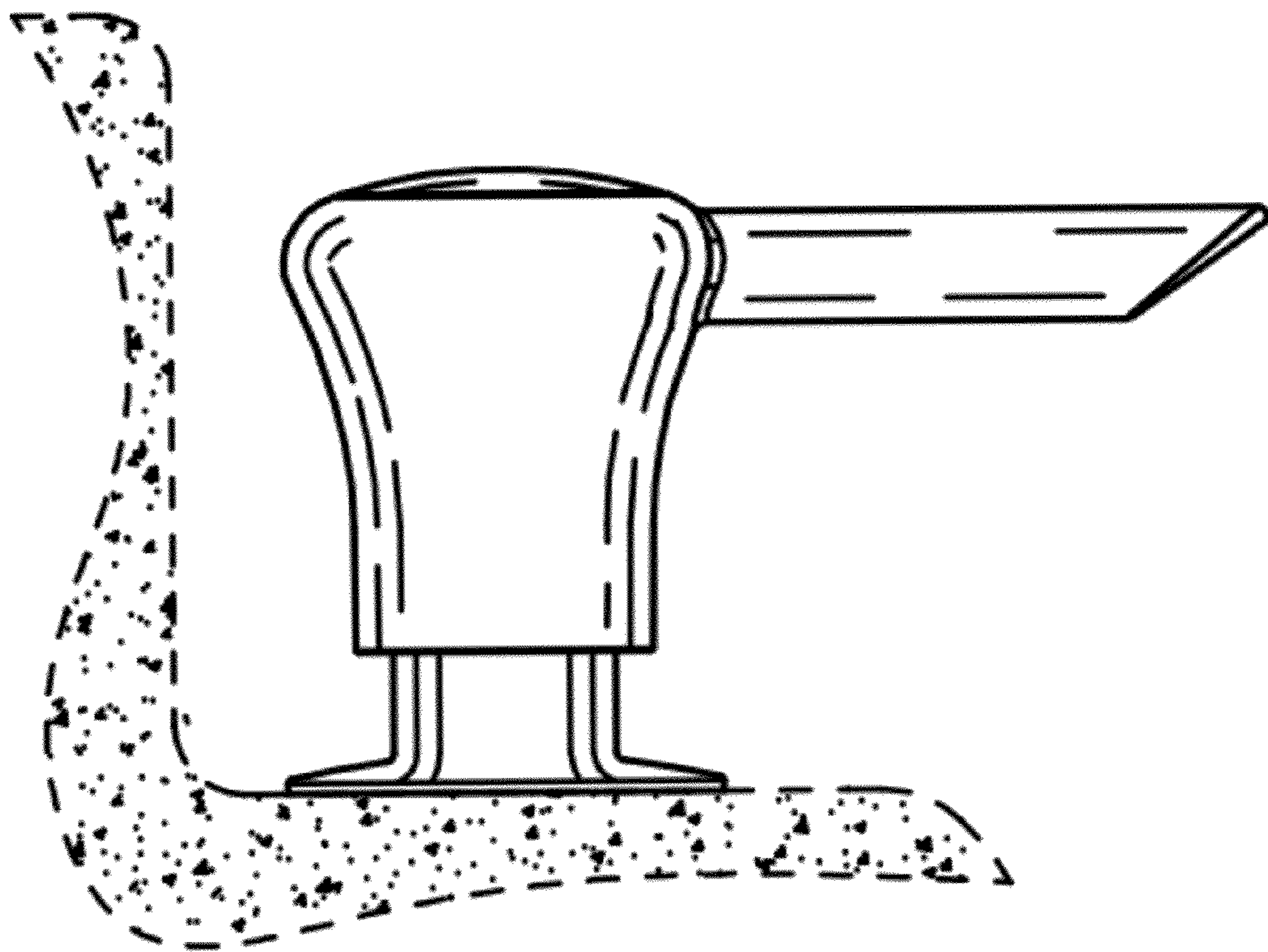


FIG 5

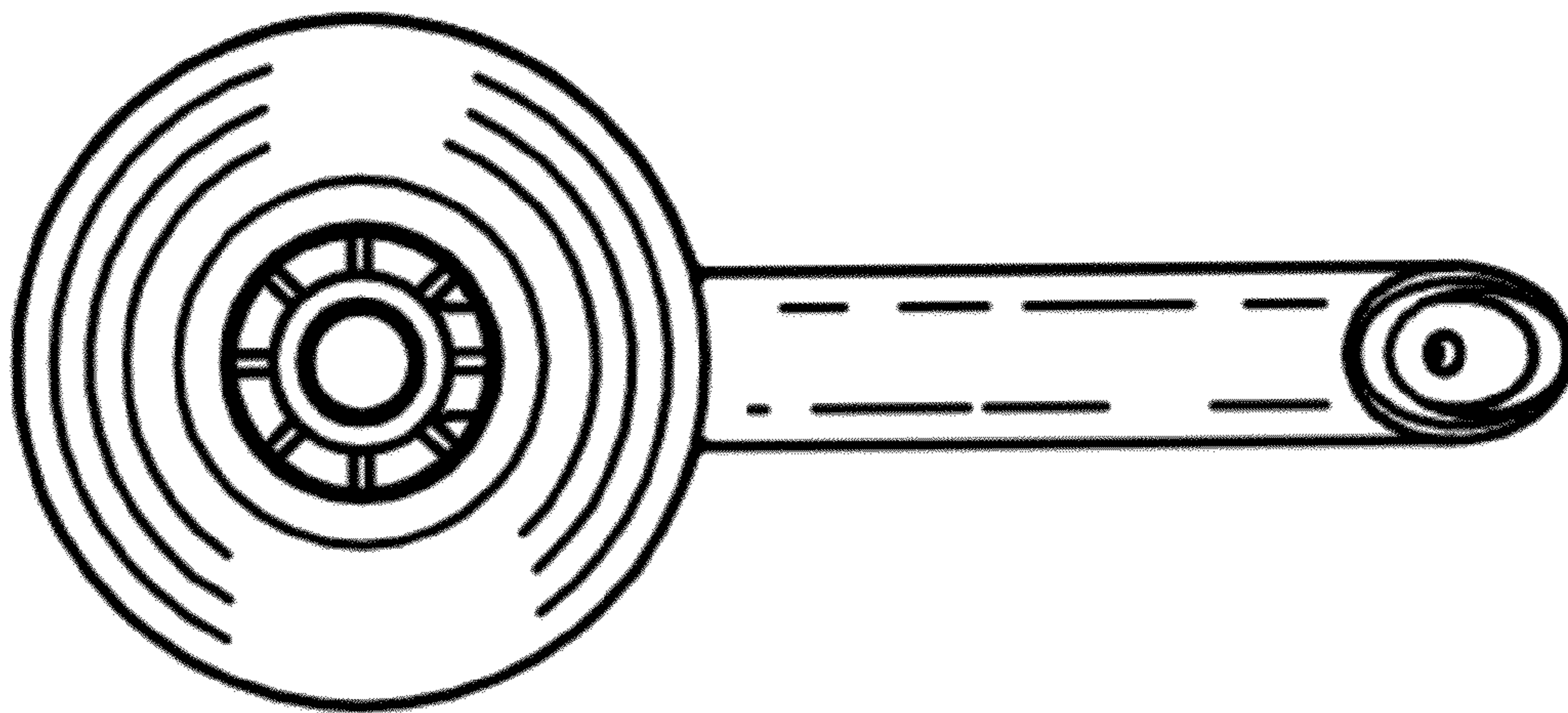


FIG6

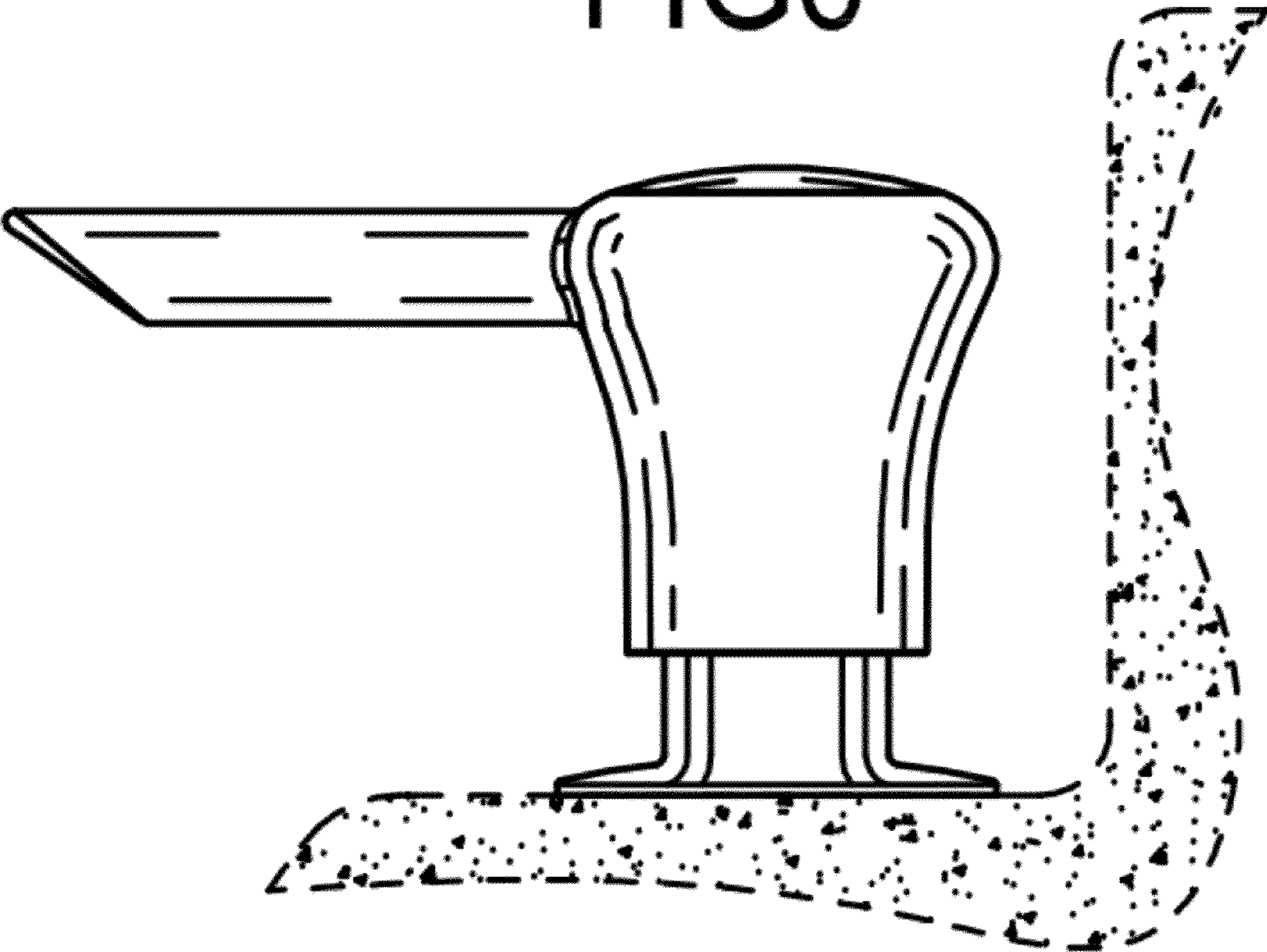


FIG 7

