



US00D672176S

(12) **United States Design Patent**
Morrow

(10) **Patent No.:** **US D672,176 S**

(45) **Date of Patent:** **** Dec. 11, 2012**

(54) **BUSINESS CARD DISPENSER**

(76) Inventor: **Randy Morrow**, Keizer, OR (US)

(**) Term: **14 Years**

(21) Appl. No.: **29/417,241**

(22) Filed: **Mar. 30, 2012**

(51) **LOC (9) Cl.** **20-02**

(52) **U.S. Cl.** **D6/515; D19/86**

(58) **Field of Classification Search** D6/515,
D6/516, 517, 518; D3/201, 206, 247; D19/75,
D19/86, 95; 206/233, 425, 37, 39, 39.5;
221/185, 282-286; 312/243

See application file for complete search history.

(56) **References Cited**

U.S. PATENT DOCUMENTS

4,749,098	A	*	6/1988	Verdi	206/425
D328,542	S	*	8/1992	Carstens	D6/515
D328,543	S	*	8/1992	Kringel et al.	D6/515
D396,247	S	*	7/1998	Carlson et al.	D19/86
D502,740	S	*	3/2005	Stoddard et al.	D19/86
D508,531	S	*	8/2005	Hsu	D19/86

D526,480	S	*	8/2006	Nuttall	D3/247
D575,506	S	*	8/2008	Huang	D3/247
D628,797	S	*	12/2010	Kalbach	D3/247
D648,936	S	*	11/2011	Washington	D3/247

* cited by examiner

Primary Examiner — Brian N Vinson

(74) *Attorney, Agent, or Firm* — QuickPatents, Inc.; Kevin Prince

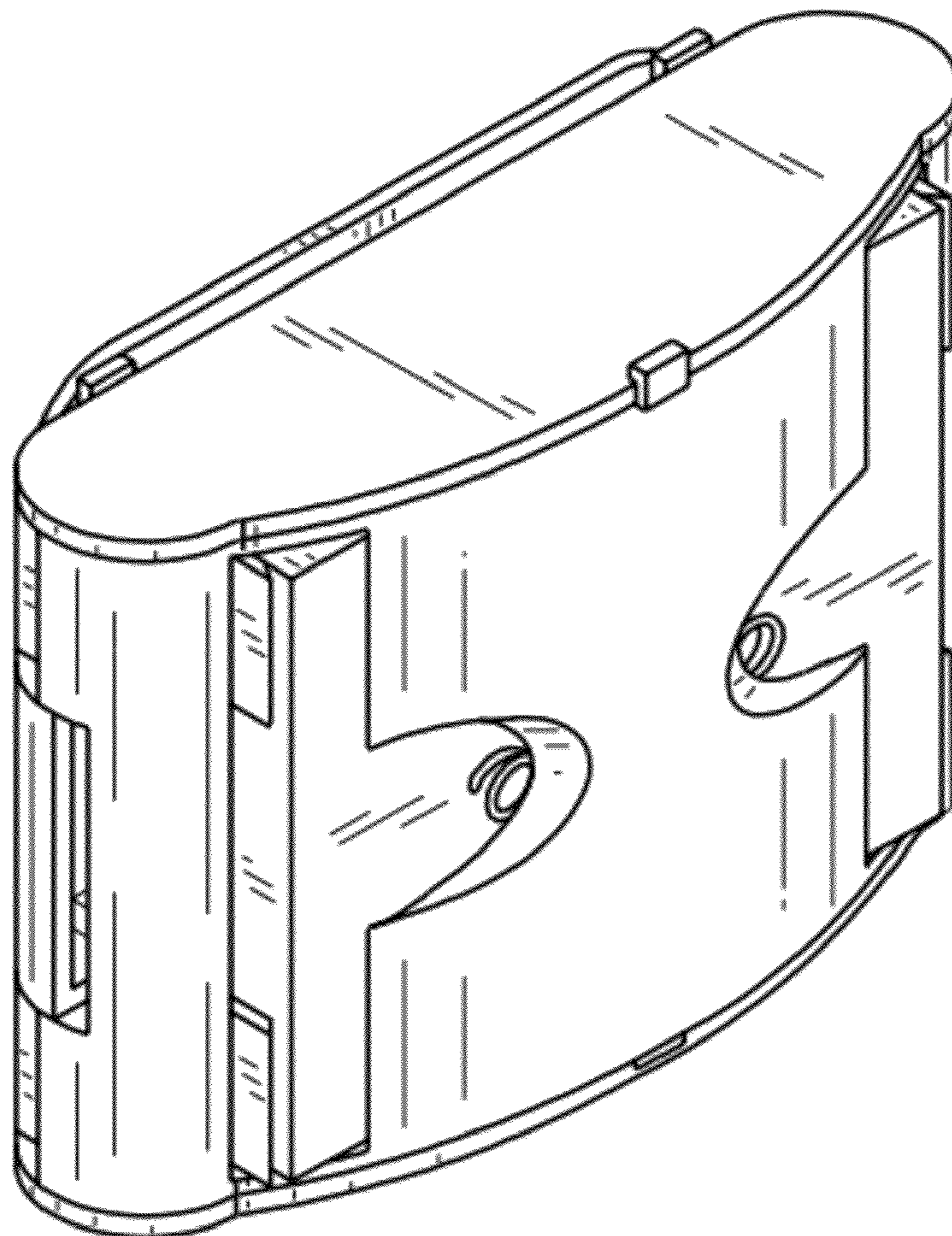
(57) **CLAIM**

I claim the ornamental design for a business card dispenser, as shown and described.

DESCRIPTION

FIG. 1 is a perspective view of a business card dispenser, showing my new design;
FIG. 2 is a front elevational view thereof;
FIG. 3 is a rear elevational view thereof;
FIG. 4 is a right-side elevational view thereof;
FIG. 5 is a left-side elevational view thereof; and,
FIG. 6 is a top plan view thereof, the bottom plan view being a mirror image thereof.

1 Claim, 3 Drawing Sheets



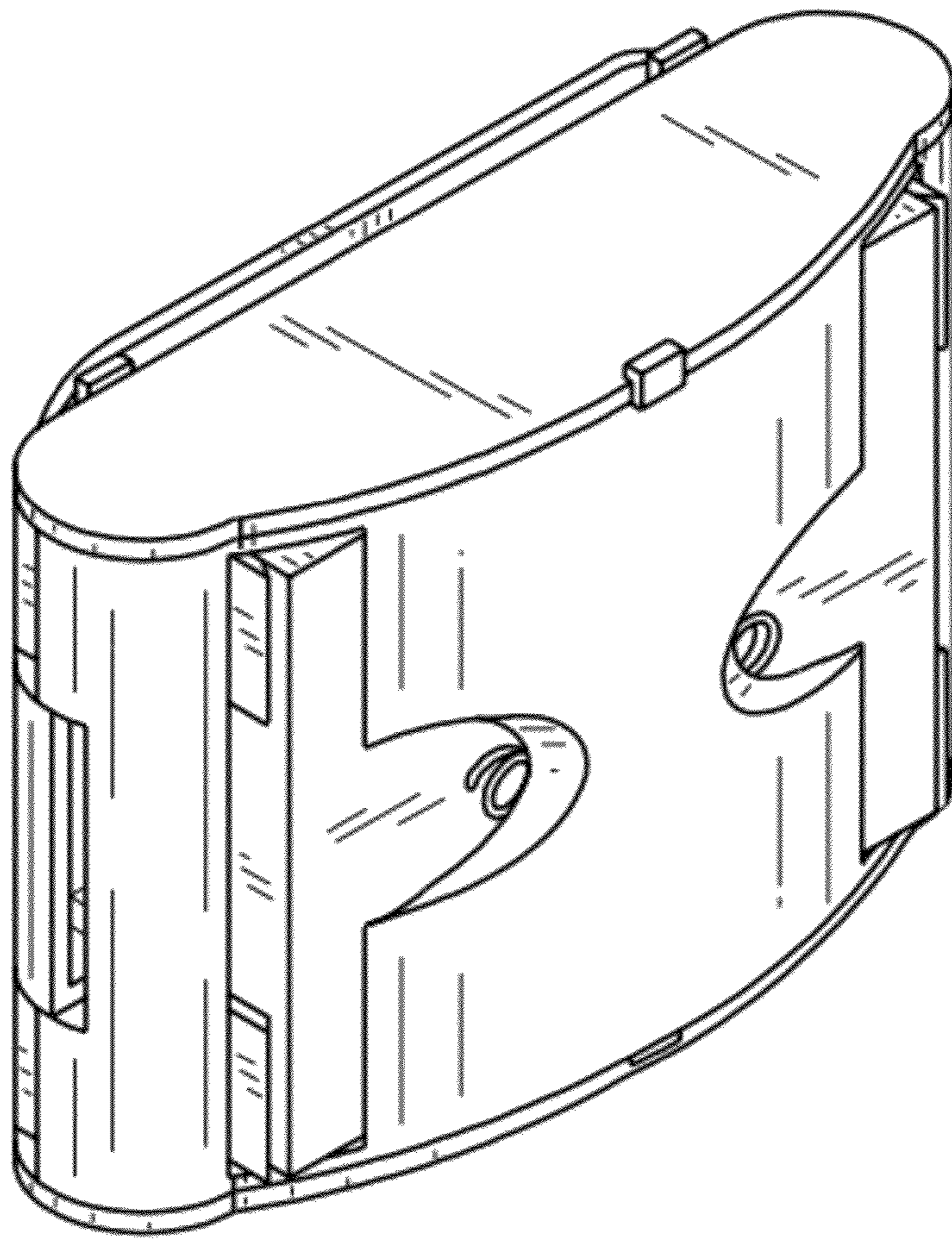


FIG. 1

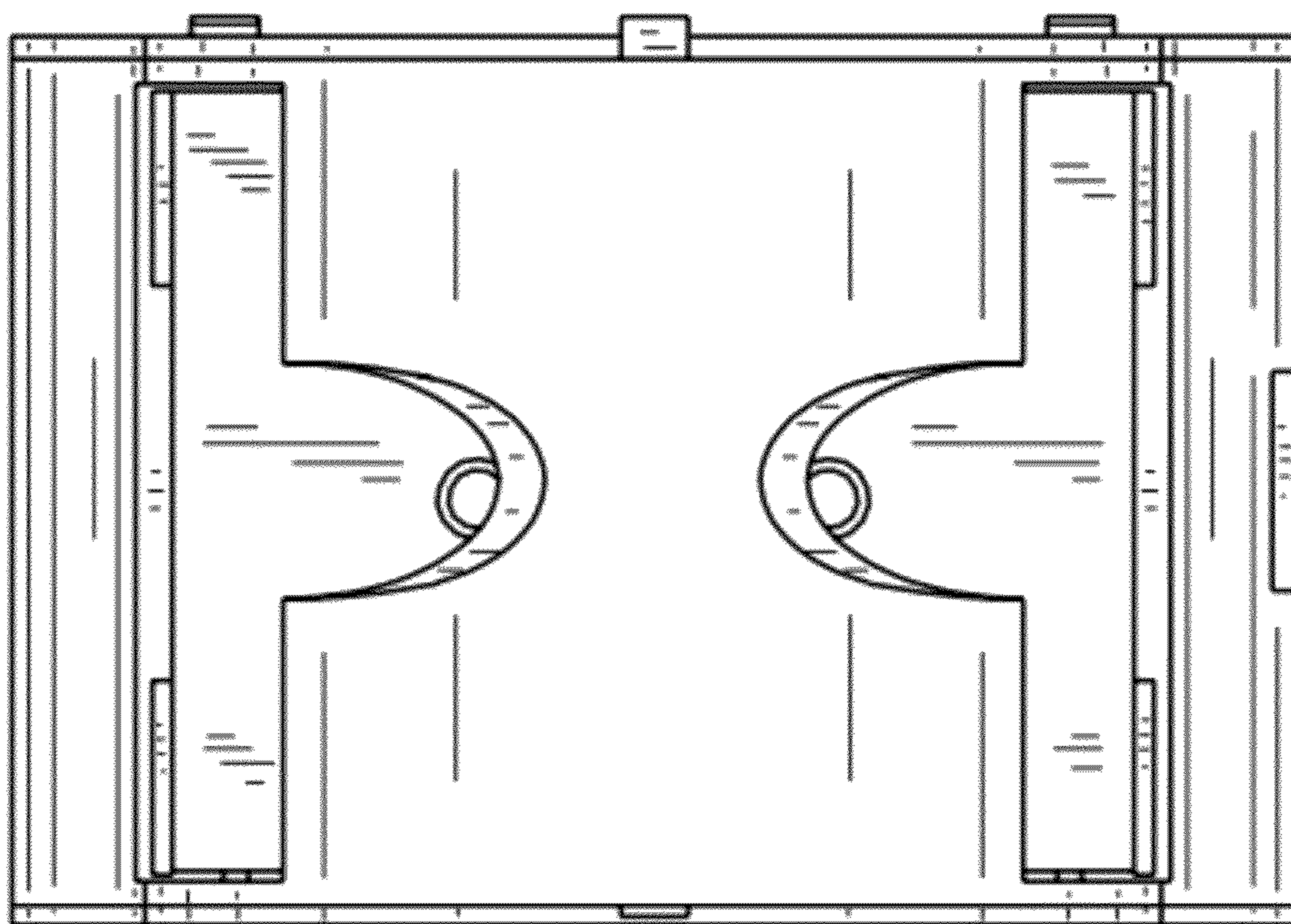


FIG. 2

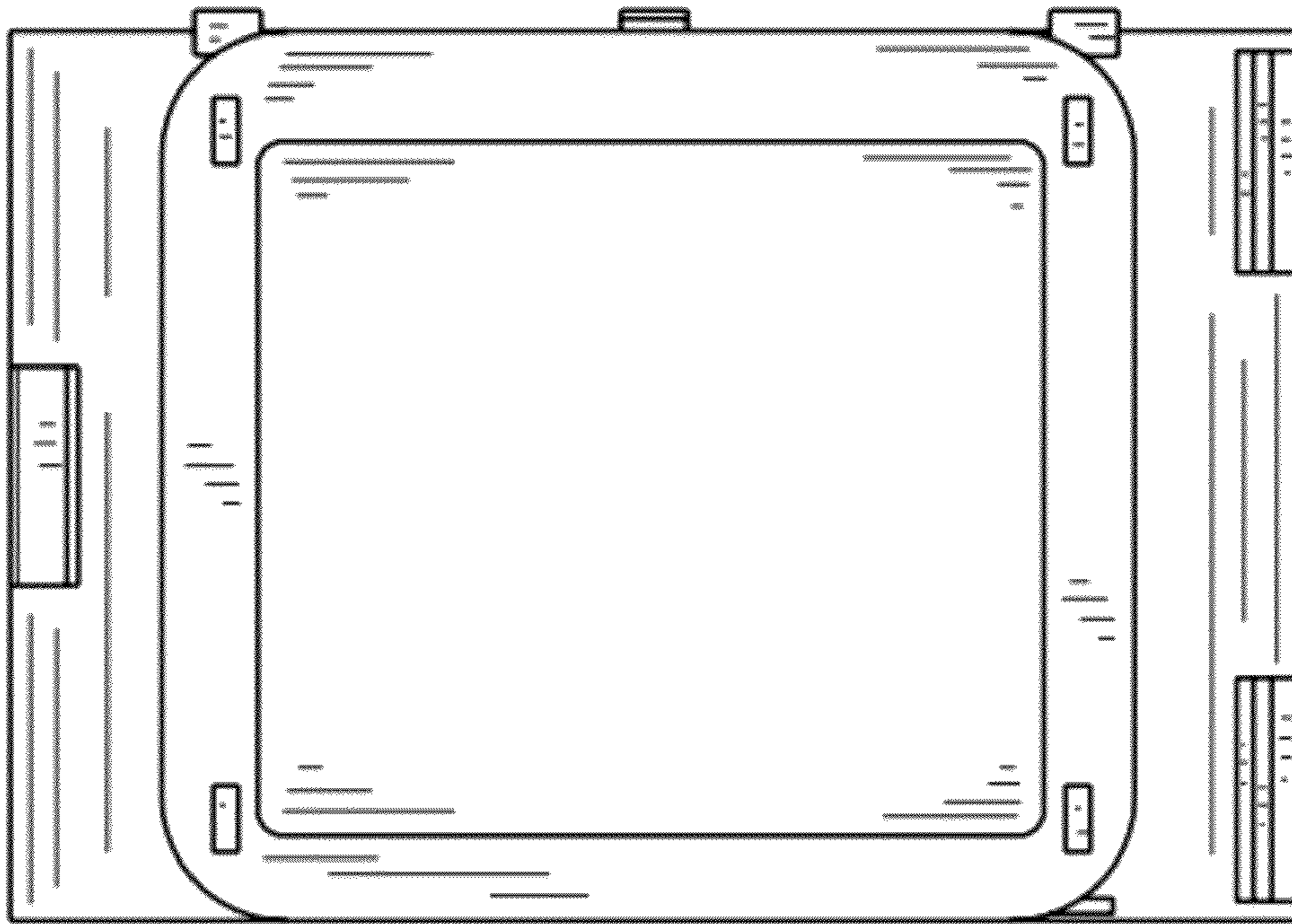


FIG. 3

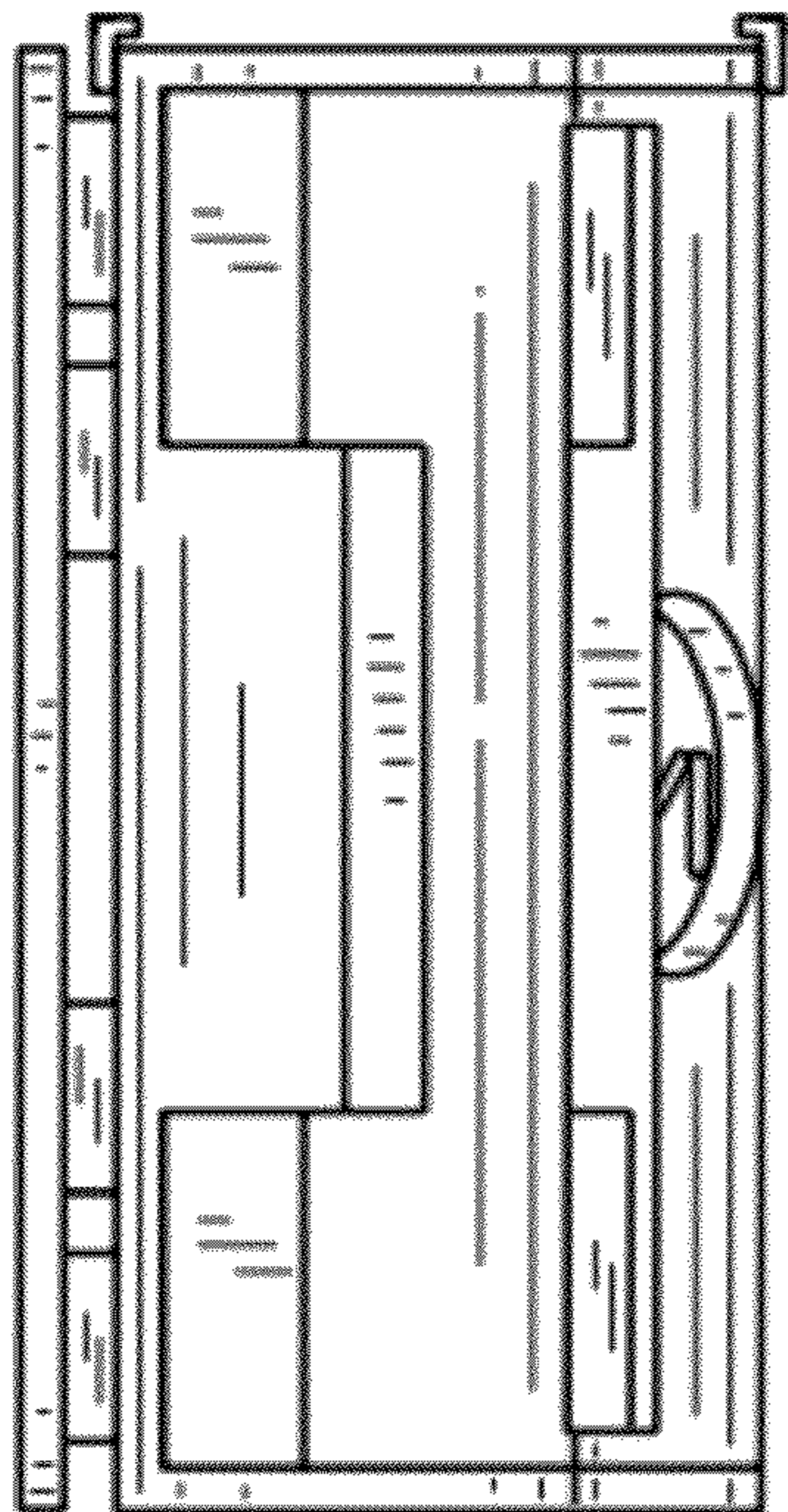


FIG. 4

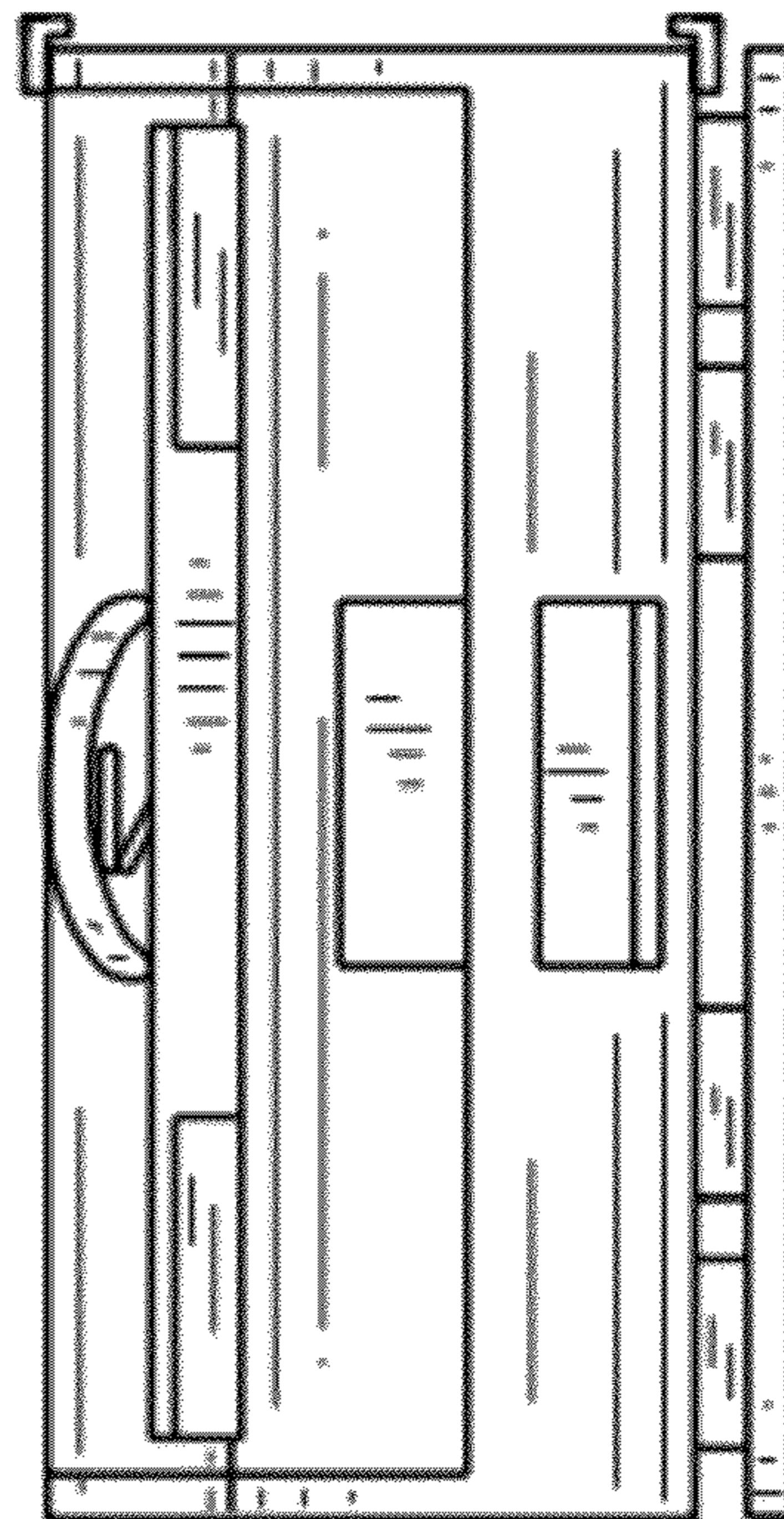


FIG. 5

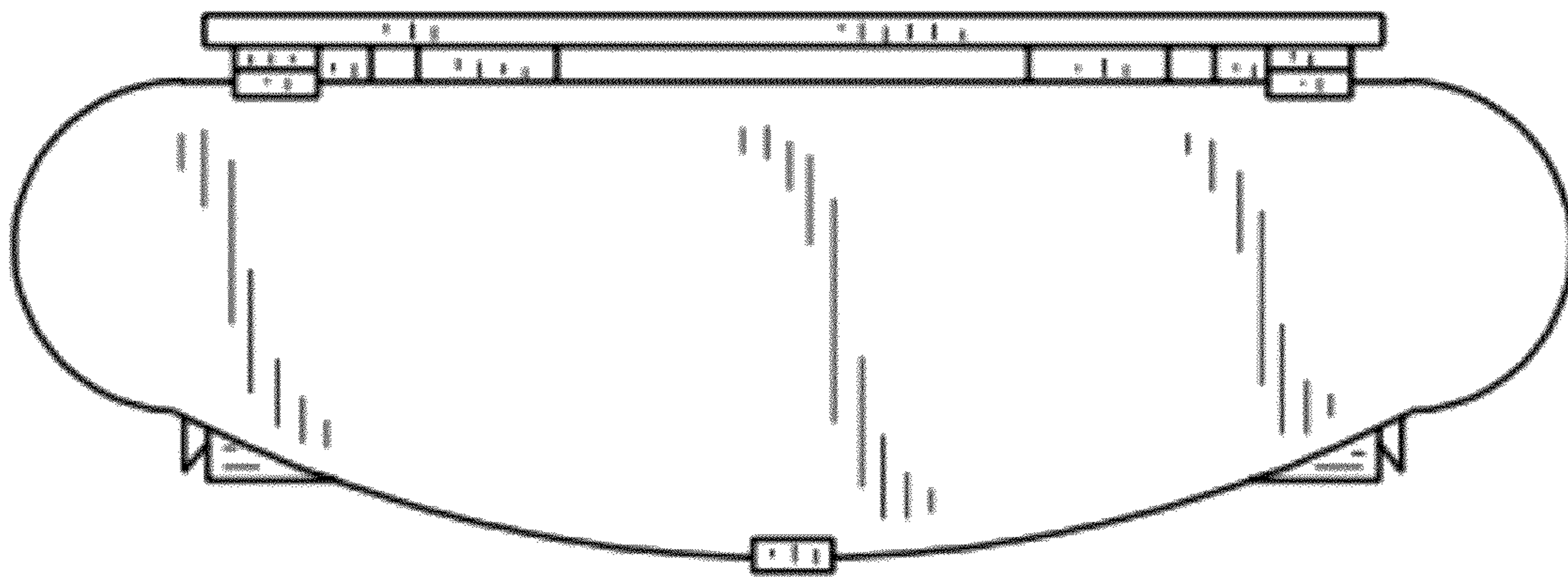


FIG. 6