

US00D672174S

(12) **United States Design Patent**
Artus et al.

(10) **Patent No.:** **US D672,174 S**

(45) **Date of Patent:** **** Dec. 11, 2012**

(54) **DRAWER SIDE**

(75) Inventors: **Jason Artus**, Ephrata, PA (US); **Robert M. Barney**, Coatesville, PA (US); **David L. Keith**, Ephrata, PA (US); **Jeffrey L. Moyer**, Lancaster, PA (US)

(73) Assignee: **Wellborn Holdings, Inc.**, Ashland, AL (US)

(**) Term: **14 Years**

(21) Appl. No.: **29/368,024**

(22) Filed: **Aug. 17, 2010**

(51) **LOC (9) Cl.** **06-02**

(52) **U.S. Cl.** **D6/510**

(58) **Field of Classification Search** D6/396,
D6/432, 441, 446, 491-492, 509-511; 211/27;
312/348.4, 352, 330.1, 140.4, 265.6, 249.4;
D3/297, 304, 307, 319; D14/125, 355
See application file for complete search history.

D482,802 S *	11/2003	Yates, Jr.	D25/121
D529,254 S *	9/2006	Huguet	D34/27
D529,290 S *	10/2006	Schloss	D3/318
D540,999 S *	4/2007	Huguet	D34/27
D543,001 S *	5/2007	Huguet	D34/27
D577,936 S *	10/2008	Held	D6/510
D588,849 S *	3/2009	Kalkwarf	D6/510
D599,145 S *	9/2009	Daino et al.	D6/510
D605,882 S *	12/2009	Bohler	D6/510
D613,535 S *	4/2010	Everson	D6/510
D617,583 S *	6/2010	Daino	D6/491
D625,941 S *	10/2010	Holzer	D6/510
D636,615 S *	4/2011	Grela	D6/400
2008/0061665 A1 *	3/2008	Lautenschlager	312/333

* cited by examiner

Primary Examiner — Kelley Donnelly

(74) *Attorney, Agent, or Firm* — Paul M. Sykes; Bradley Arant Boult Cummings LLP

(57) **CLAIM**

The ornamental design for a drawer side, as shown and described.

DESCRIPTION

FIG. 1 is a left side view of a drawer side in accordance with the new design;

FIG. 2 is a right side view thereof;

FIG. 3 is a front view thereof;

FIG. 4 is a top perspective view shown in environment; and, FIG. 5 is another top perspective view shown in environment thereof.

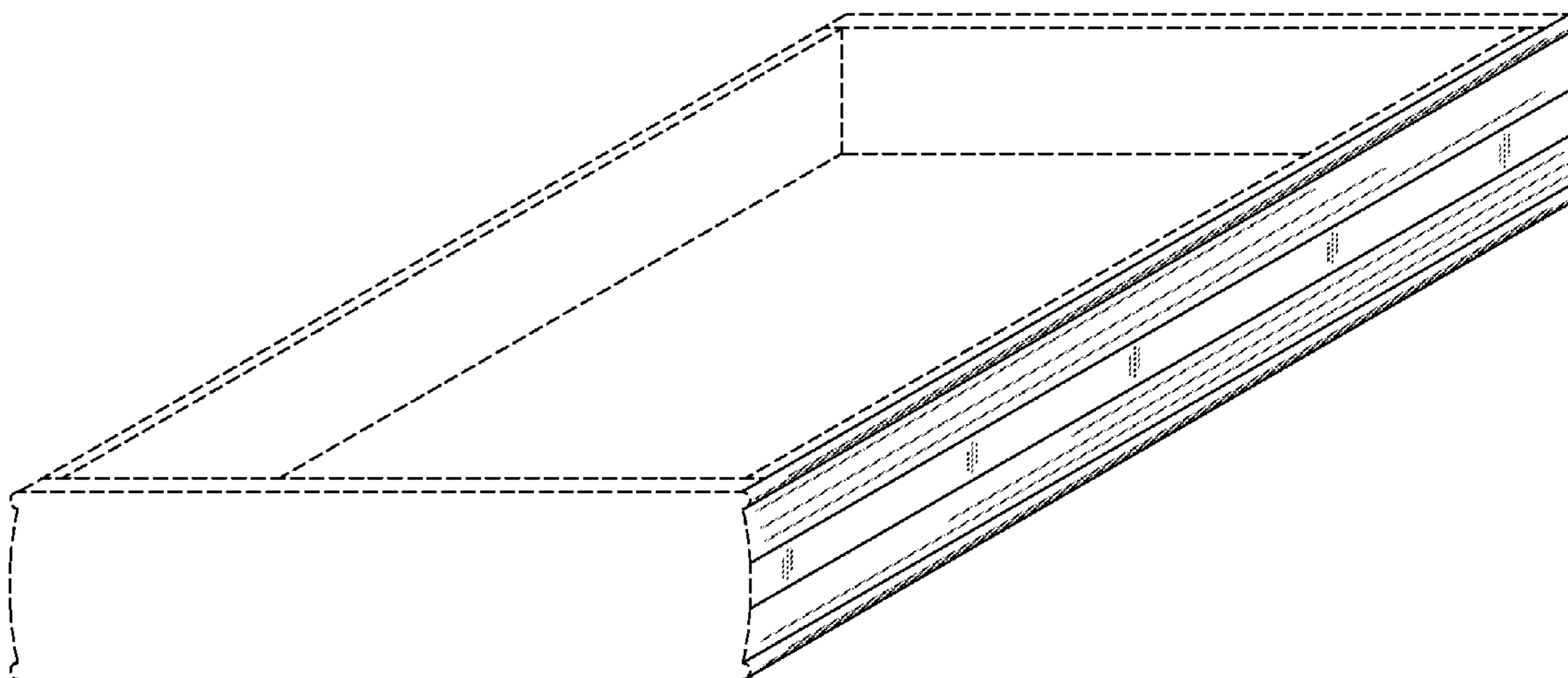
The broken lines in the Figures illustrate environmental structure and form no part of the claimed design.

1 Claim, 3 Drawing Sheets

(56) **References Cited**

U.S. PATENT DOCUMENTS

3,722,974 A *	3/1973	Hartman	312/348.2
D255,741 S *	7/1980	Litchfield et al.	D6/510
4,427,245 A *	1/1984	Litchfield et al.	312/330.1
D335,409 S *	5/1993	Kellems	D6/510
D336,687 S *	6/1993	Schremmer	D25/138
D390,733 S *	2/1998	Brunner et al.	D6/510
D398,795 S *	9/1998	Zapf	D6/510
D404,945 S *	2/1999	Simpkins et al.	D6/510
D425,734 S *	5/2000	Bauer	D6/491
D454,272 S *	3/2002	Petri	D6/510
D458,780 S *	6/2002	Siepmann et al.	D6/510



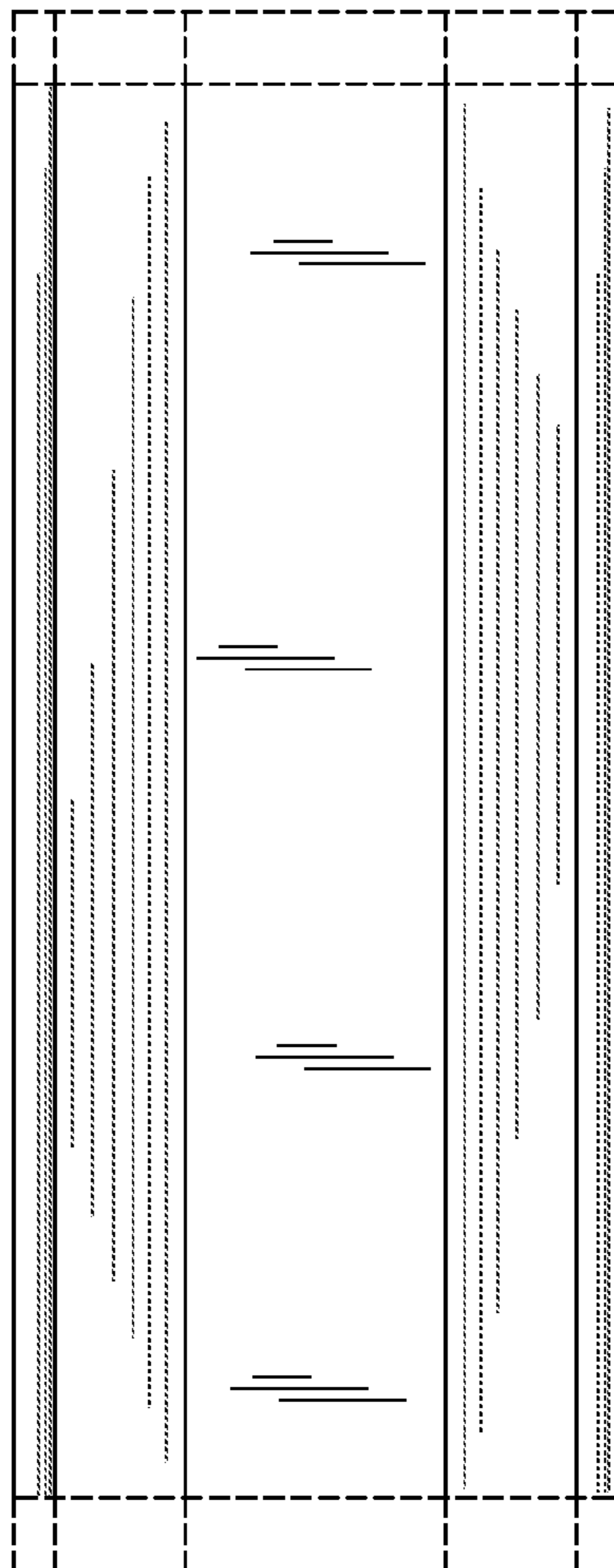


FIG. 1

FIG. 2

FIG. 3

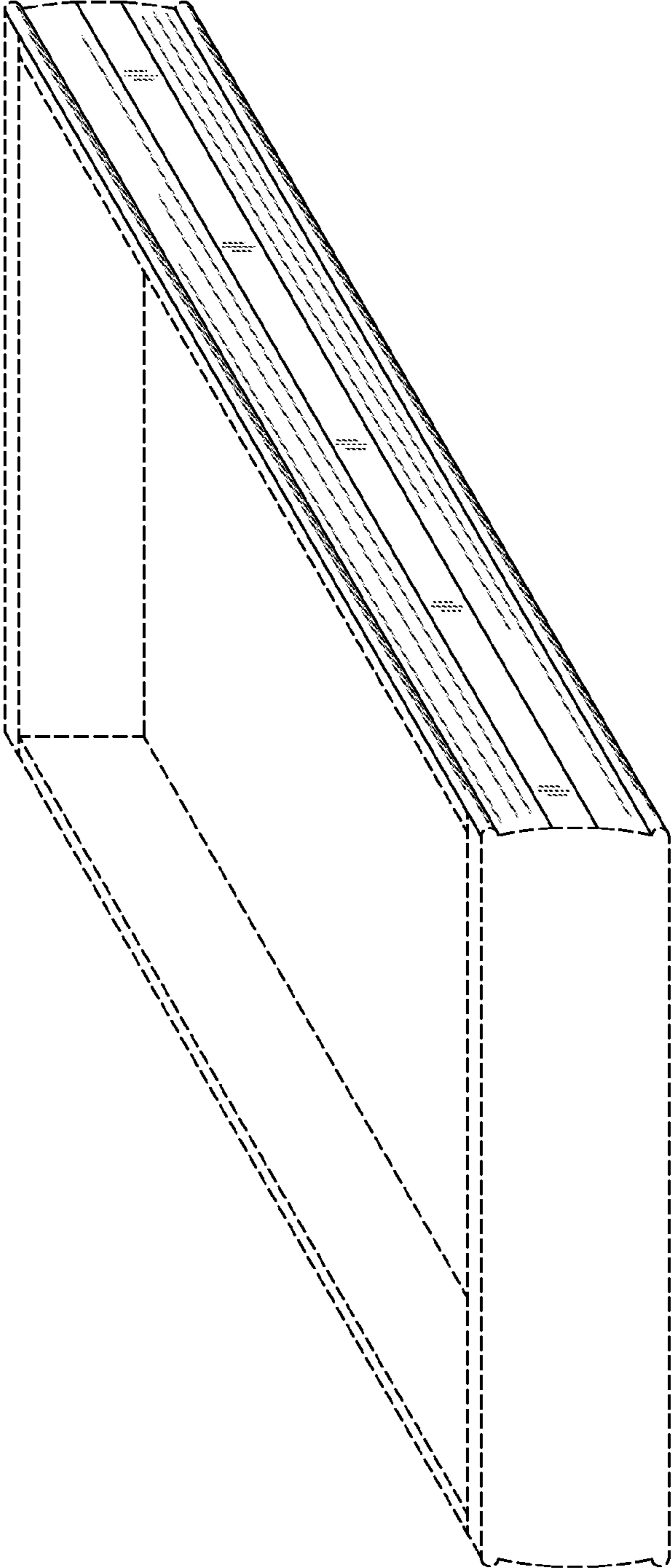


FIG. 4

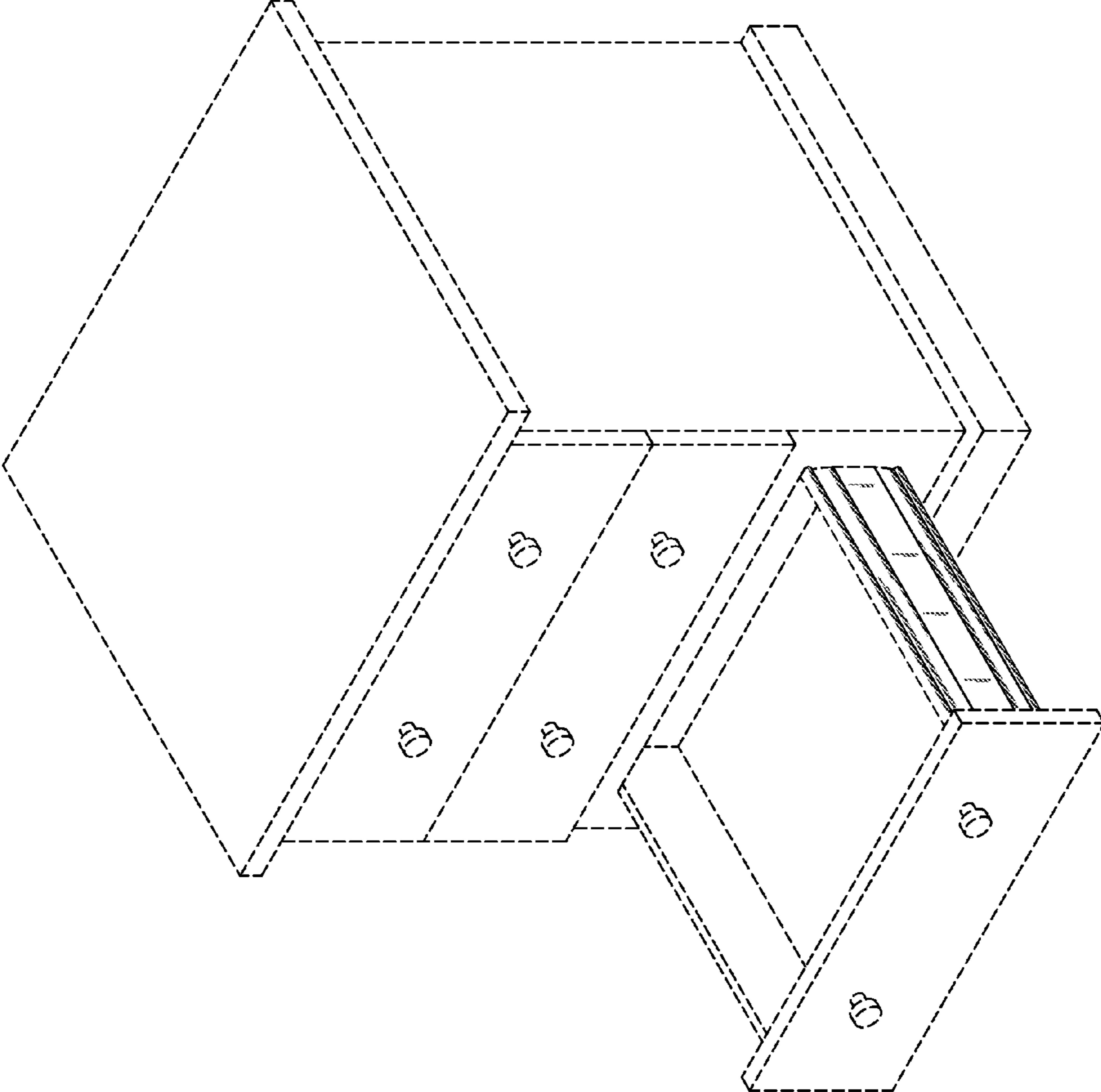


FIG. 5