



US00D672173S

(12) **United States Design Patent**
Lee

(10) **Patent No.:** **US D672,173 S**
(45) **Date of Patent:** **** Dec. 11, 2012**

(54) **CHAIR BACK**

D526,824 S * 8/2006 Muller D6/500
D551,460 S * 9/2007 Moser D6/380
D583,584 S * 12/2008 Moser D6/379

(76) Inventor: **Lawrence K. Lee**, Houston, TX (US)

* cited by examiner

(**) Term: **14 Years**

Primary Examiner — Mimoso De

(21) Appl. No.: **29/410,112**

(74) *Attorney, Agent, or Firm* — Egbert Law Offices, PLLC

(22) Filed: **Jan. 4, 2012**

(51) **LOC (9) Cl.** **06-01**

(52) **U.S. Cl.** **D6/502**

(58) **Field of Classification Search** D6/334–336,
D6/360, 369, 370, 371–373, 374, 376, 379,
D6/380, 500–502; 297/239, 445.1, 446.1,
297/452.63, 452.64

See application file for complete search history.

(57) **CLAIM**

The ornamental design for a chair back, as shown and described.

DESCRIPTION

FIG. 1 is a perspective view of the chair back showing my design.

FIG. 2 is a front view thereof;

FIG. 3 is a back view thereof;

FIG. 4 is a top view thereof;

FIG. 5 is a bottom view thereof;

FIG. 6 is a side view thereof; and,

FIG. 7 is an opposite side view thereof.

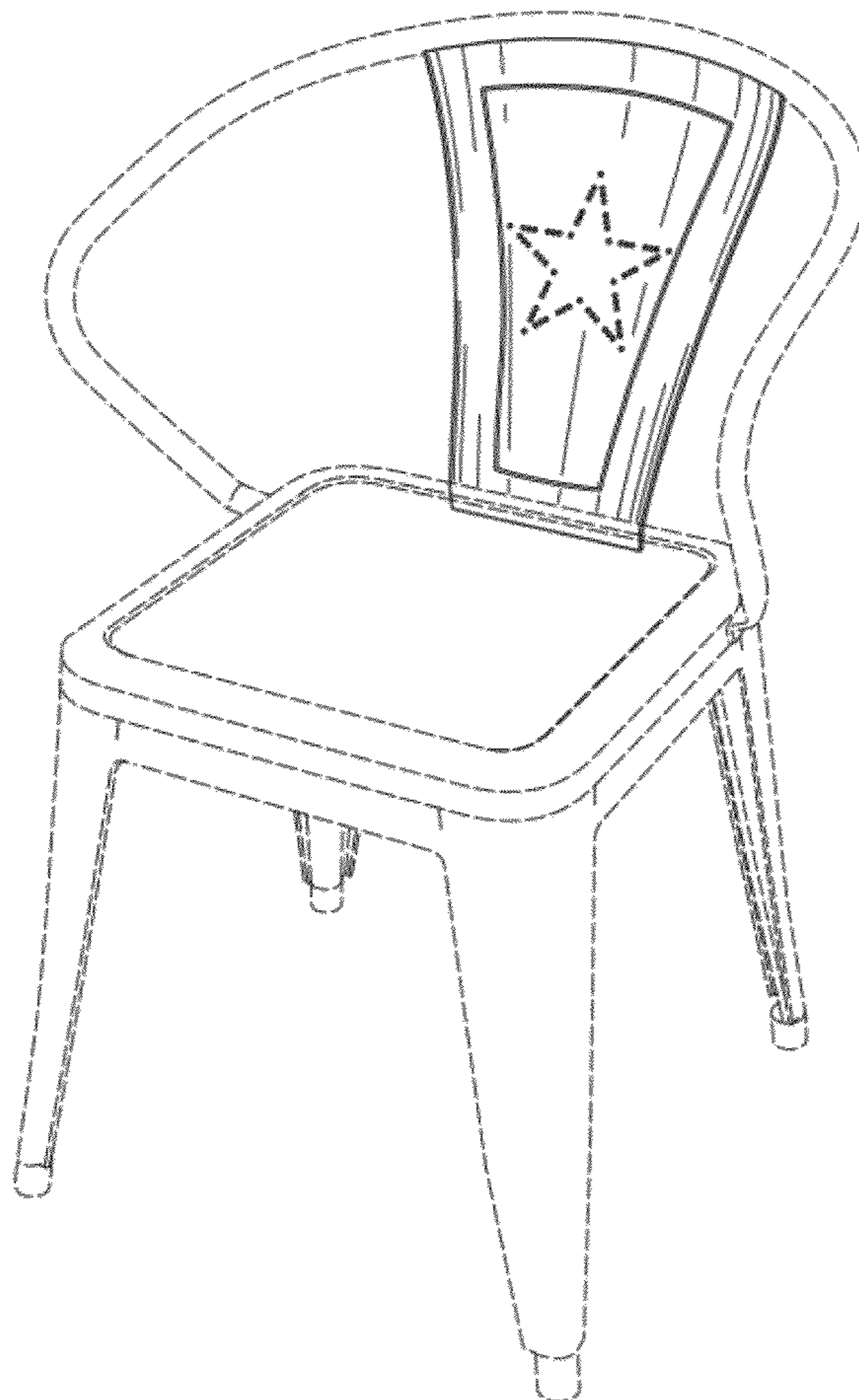
The features presented in broken lines are for environmental purposes only and form no part of the claimed design.

(56) **References Cited**

U.S. PATENT DOCUMENTS

D110,546 S *	7/1938	Hickerson	D6/380
D178,191 S *	7/1956	Larsen	D6/380
D190,485 S *	6/1961	Jakobsen	D6/502
D345,471 S *	3/1994	Takahama	D6/373
D382,128 S *	8/1997	Huang	D6/380
D518,969 S *	4/2006	Mohundro	D6/379
D526,516 S *	8/2006	Muller	D6/500

1 Claim, 3 Drawing Sheets



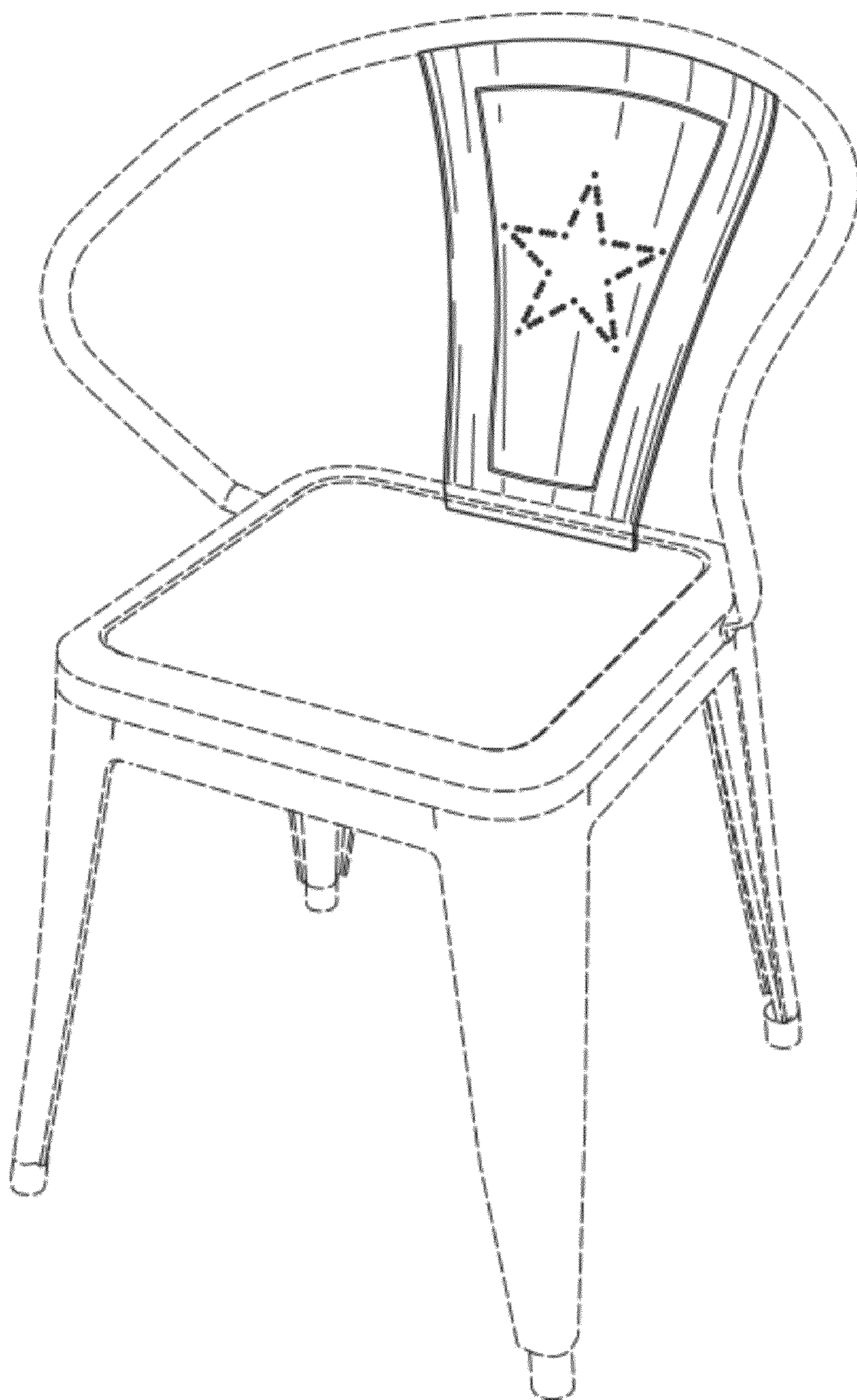


FIG. 1

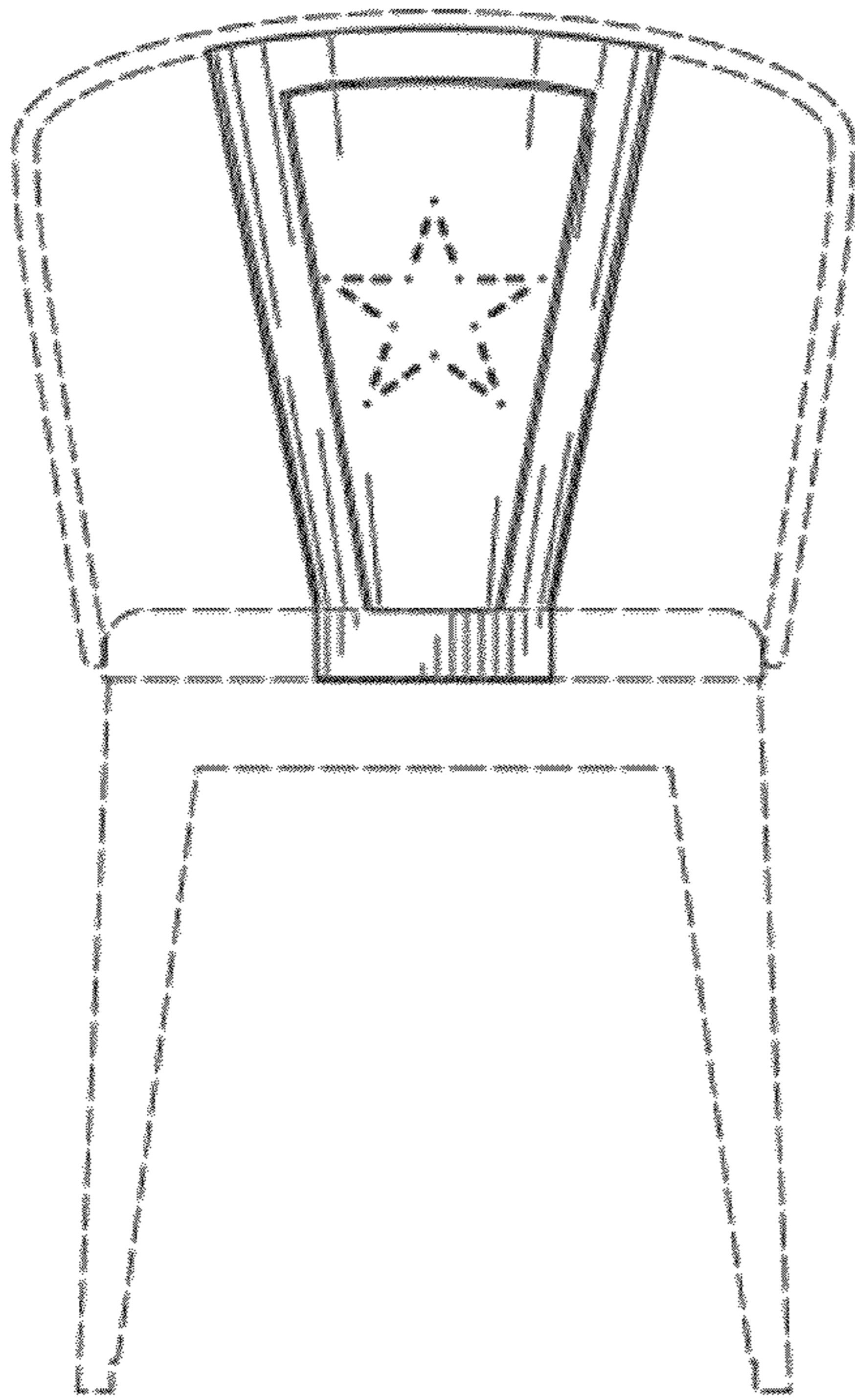


FIG. 2

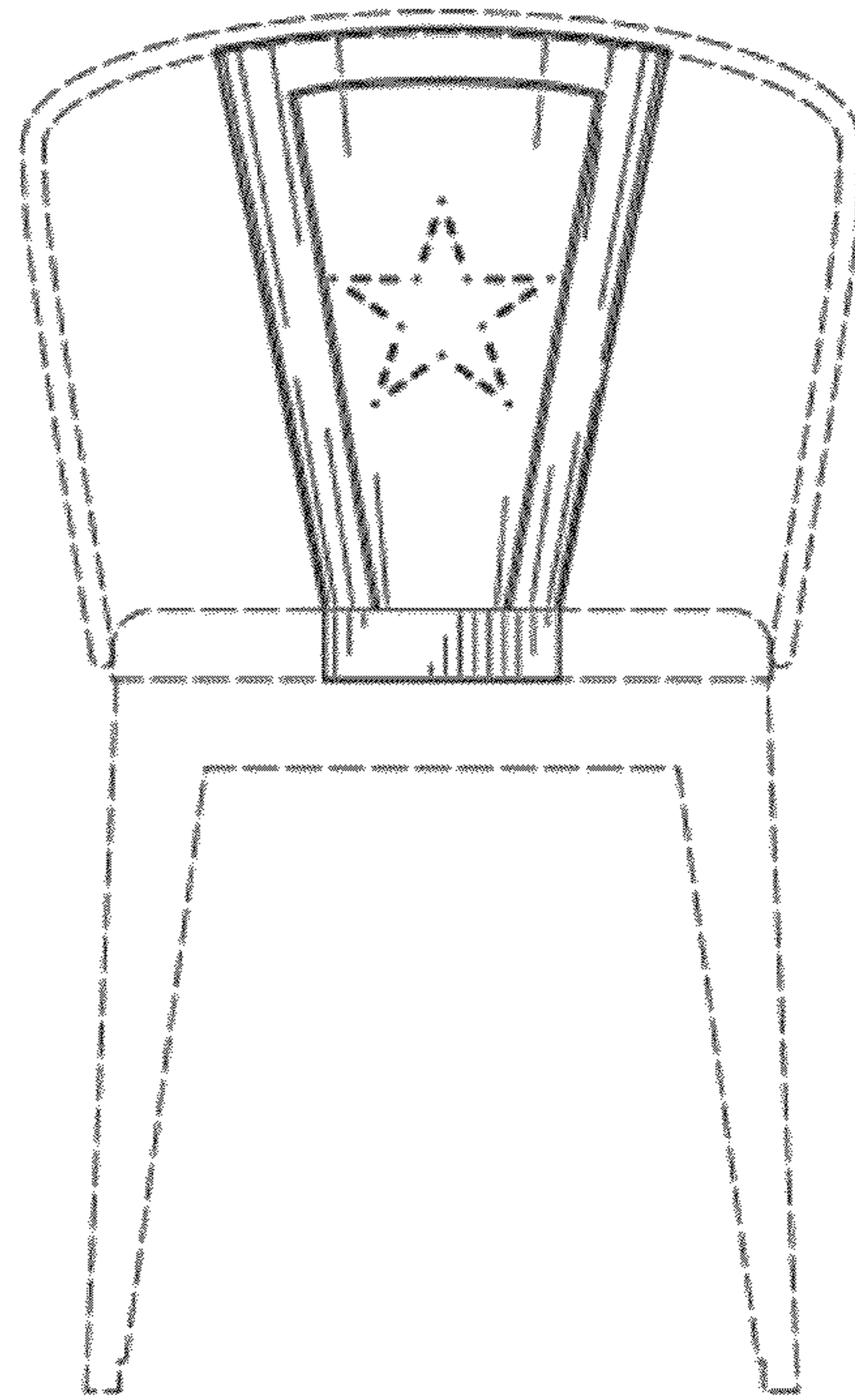


FIG. 3

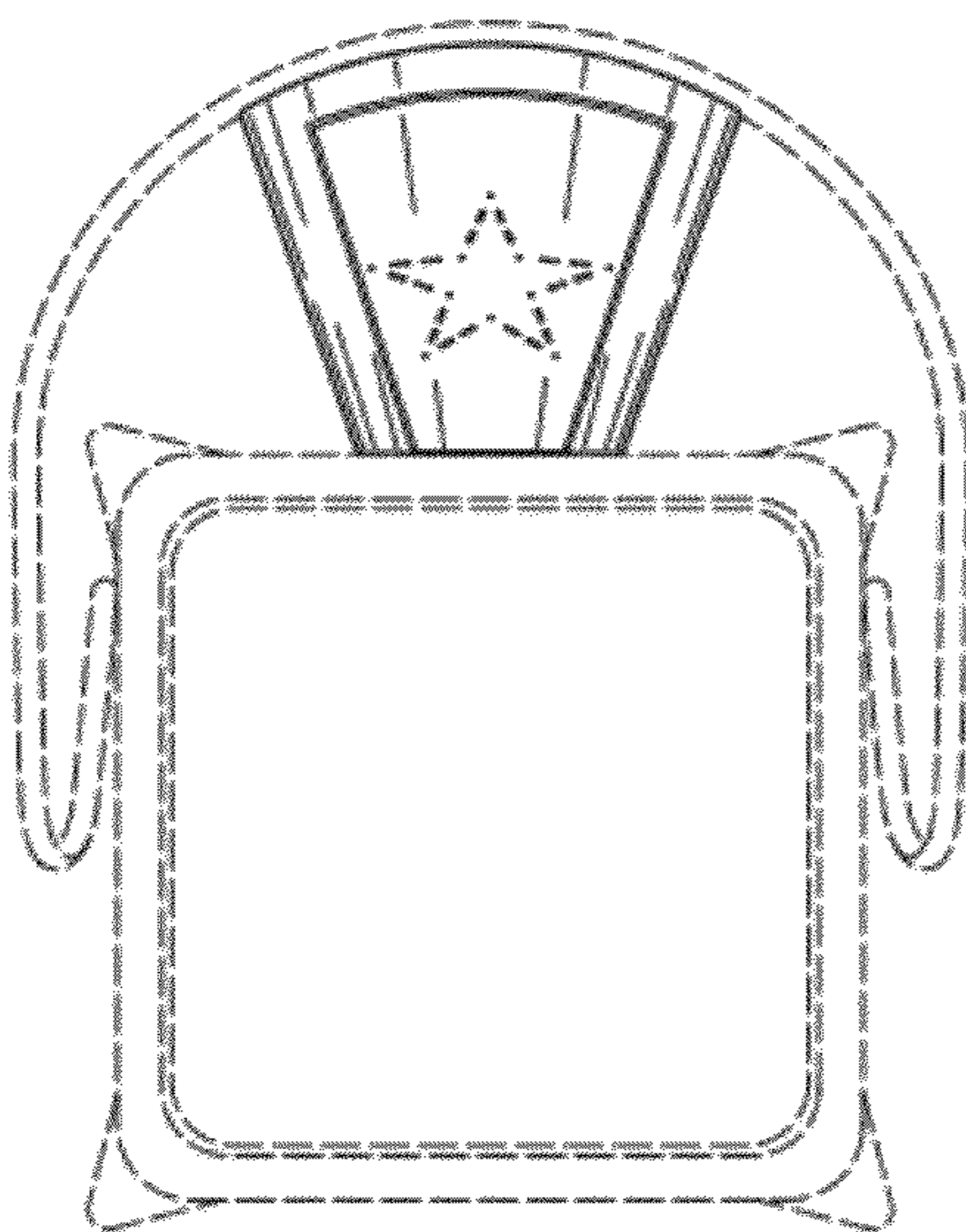


FIG. 4

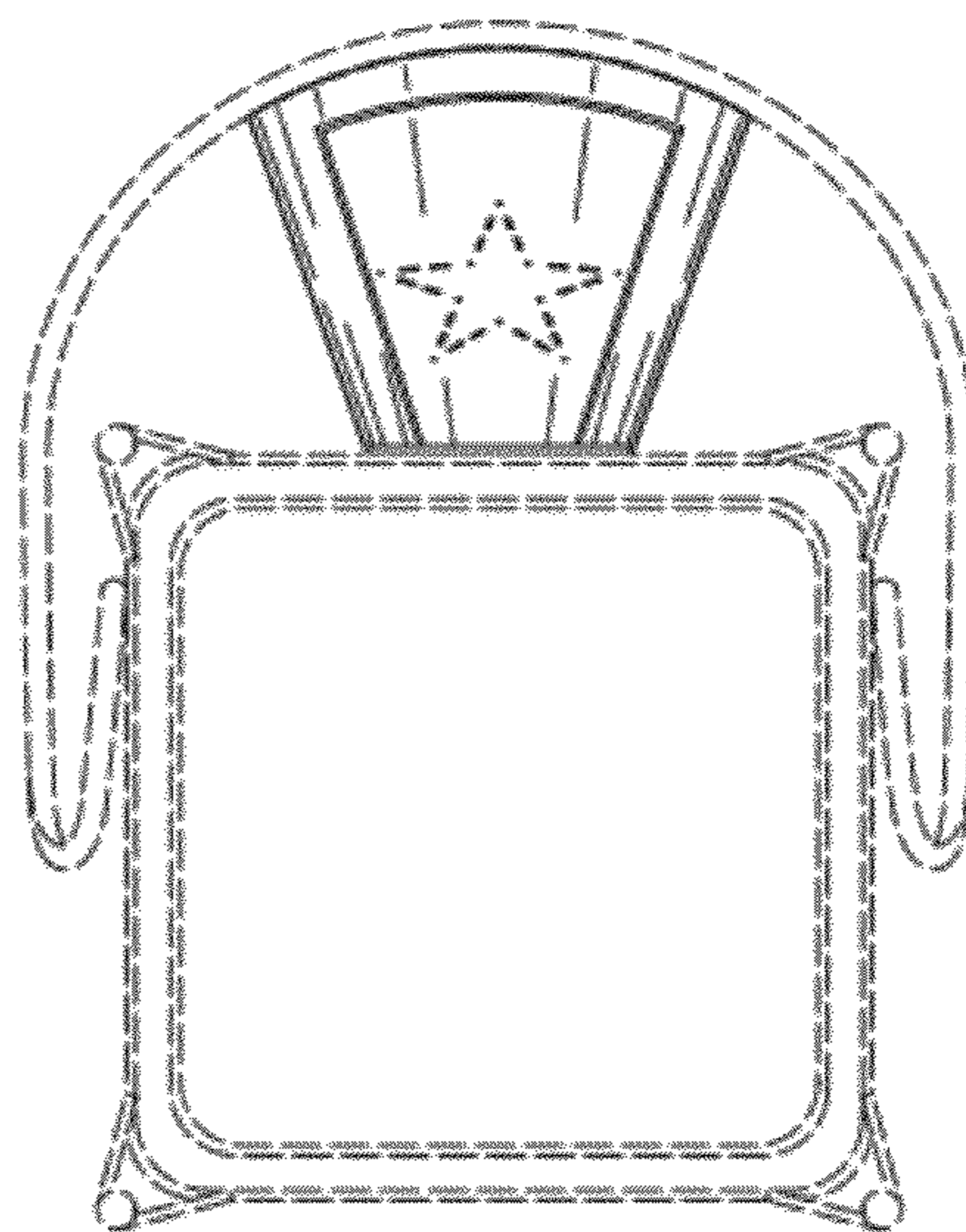


FIG. 5

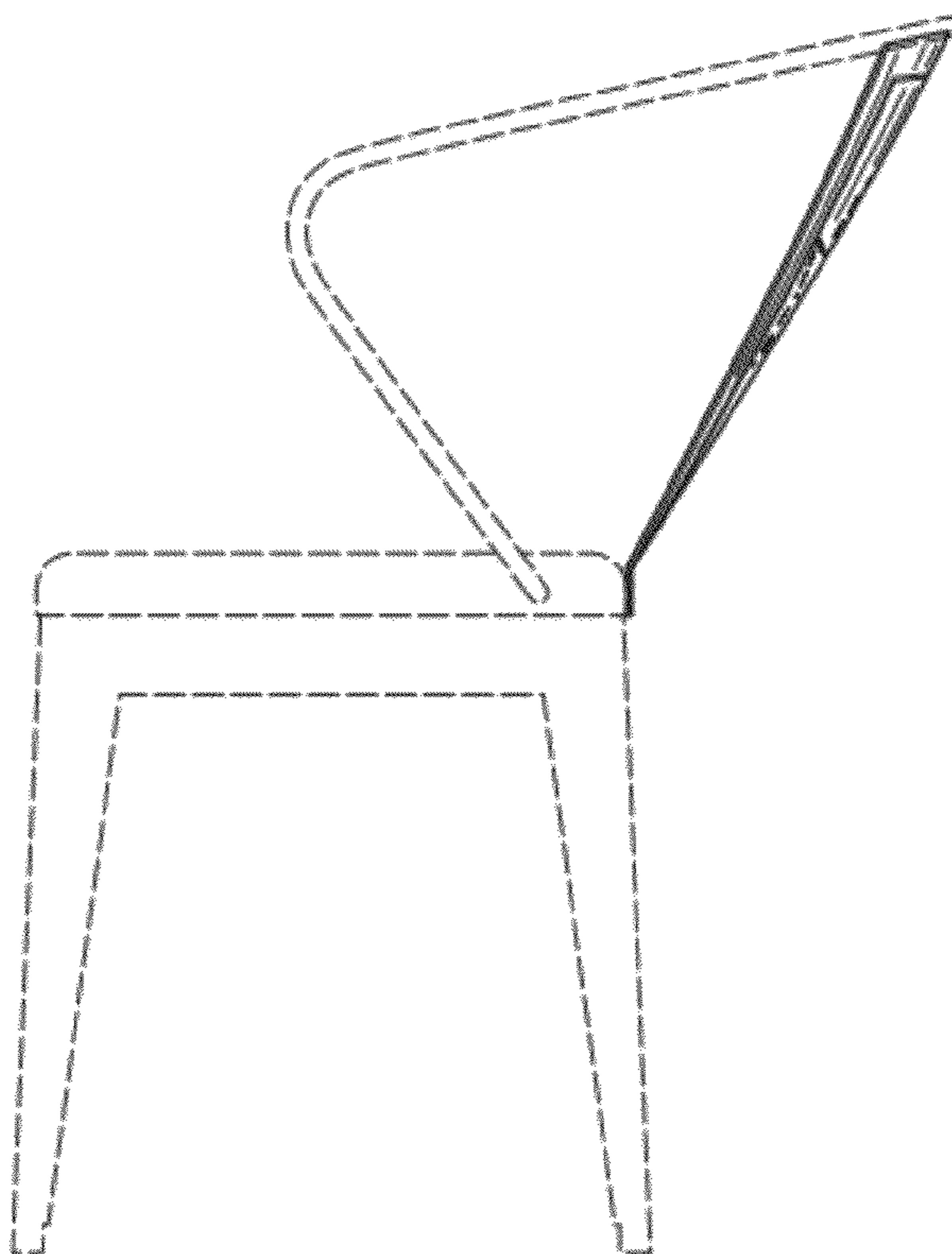


FIG. 6

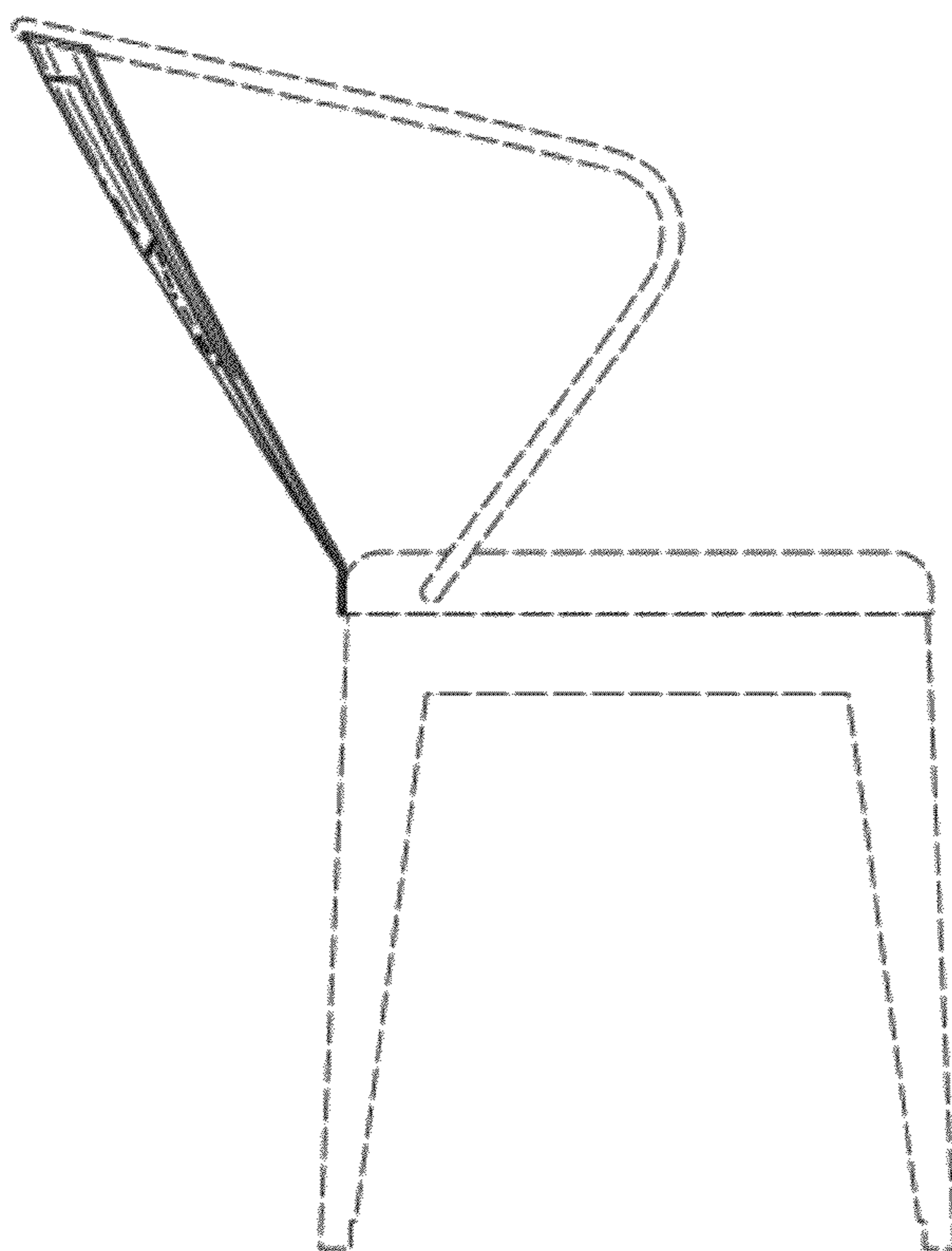


FIG. 7