



US00D672172S

(12) **United States Design Patent**  
**Walker**

(10) **Patent No.:** **US D672,172 S**

(45) **Date of Patent:** **\*\* Dec. 11, 2012**

(54) **BACK SUPPORT**

(76) Inventor: **Brock M. Walker**, Okemos, MI (US)

(\*\*) Term: **14 Years**

(21) Appl. No.: **29/385,060**

(22) Filed: **Feb. 8, 2011**

(51) **LOC (9) Cl.** ..... **06-01**

(52) **U.S. Cl.** ..... **D6/502**

(58) **Field of Classification Search** ..... D6/334,  
D6/335, 337, 374, 379, 380, 381, 491, 492,  
D6/495, 500-502; 297/118, 300.1, 302.1,  
297/311, 313, 353, 354.1, 445.1, 446.1, 446.2,  
297/447.4, 464, 465, 900, DIG. 2, DIG. 7;  
5/12.1, 12.2

See application file for complete search history.

4,819,278 A *	4/1989	Ramos	.....	4/254
D308,613 S *	6/1990	Clark et al.	.....	D6/601
D334,105 S *	3/1993	Bridges	.....	D6/502
5,190,347 A *	3/1993	Shiow-Lan	.....	297/284.5
5,217,816 A *	6/1993	Brupbacher et al.	.....	428/614
5,425,567 A *	6/1995	Albecker, III	.....	297/377
D368,609 S *	4/1996	Roberts	.....	D6/502
D426,731 S *	6/2000	Cibic et al.	.....	D6/500
D496,547 S *	9/2004	Gasser	.....	D6/502
D517,357 S *	3/2006	Gasser	.....	D6/502
D598,995 S *	8/2009	Tu	.....	D23/304
D623,449 S *	9/2010	Diffrient	.....	D6/502

\* cited by examiner

*Primary Examiner* — Sandra Snapp

(74) *Attorney, Agent, or Firm* — Feldman Gale, P.A.;  
Alejandro J. Fernandez

(57) **CLAIM**

The ornamental design for a “back support,” as shown and described.

(56) **References Cited**

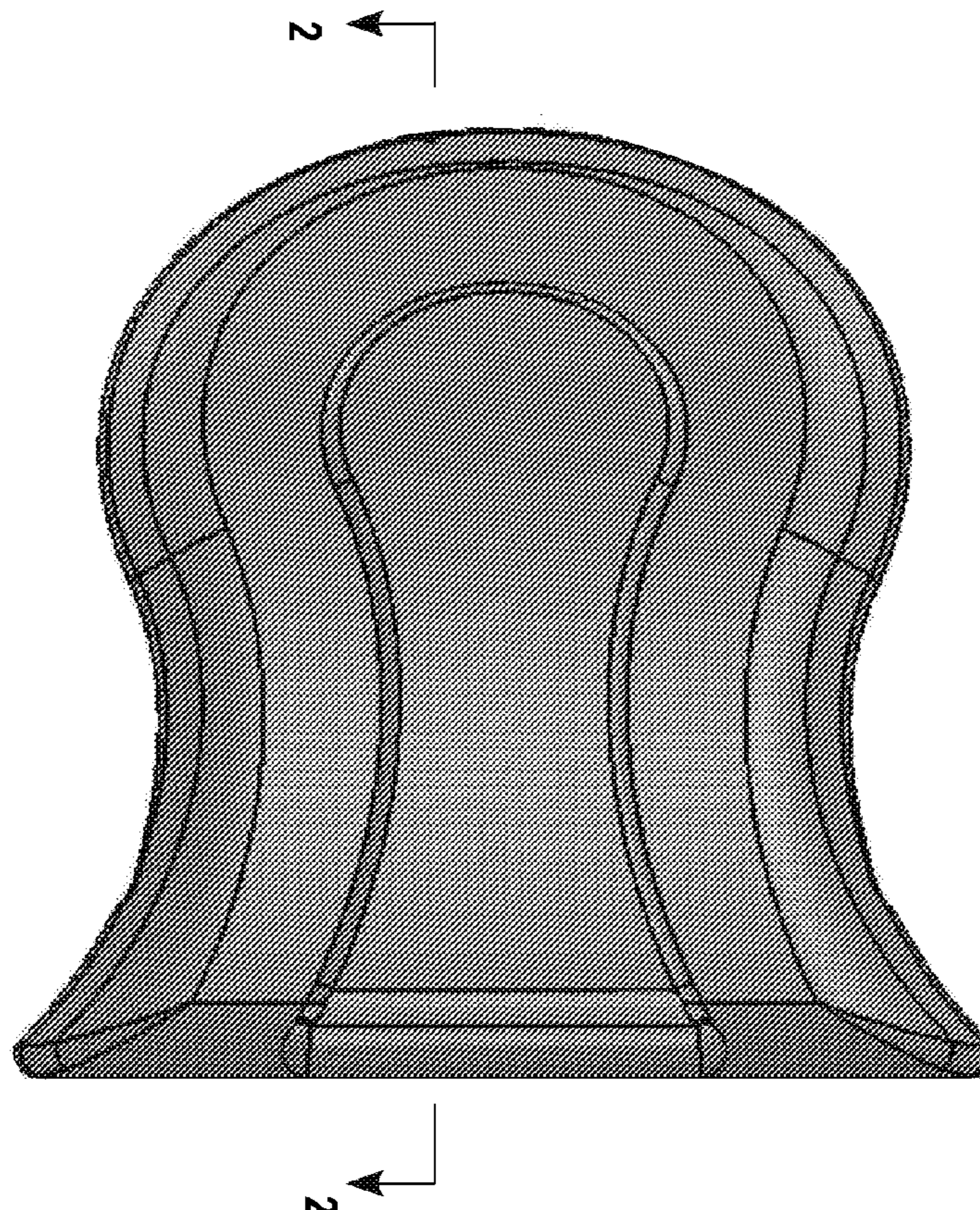
U.S. PATENT DOCUMENTS

4,064,580 A *	12/1977	Ezekoye	.....	5/652
D249,217 S *	9/1978	Pierce	.....	D6/502
4,208,070 A *	6/1980	Geschwender	.....	297/118
4,394,783 A *	7/1983	Simmons	.....	297/230.1
4,410,214 A *	10/1983	Geschwender	.....	297/118
D281,210 S *	11/1985	Roberts	.....	D6/502
4,597,386 A *	7/1986	Goldstein	.....	602/19
D294,210 S *	2/1988	Rhodes et al.	.....	D6/502

**DESCRIPTION**

FIG. 1 is a front view of the back support;  
FIG. 2 is a sectional view of the back support, taken along line  
2-2 in FIG. 1;  
FIG. 3 is a front view of the back support; and,  
FIG. 4 is a sectional view taken along line 4-4 in FIG. 3.  
The bottom of the back support is flat and unornamented.

**1 Claim, 2 Drawing Sheets**





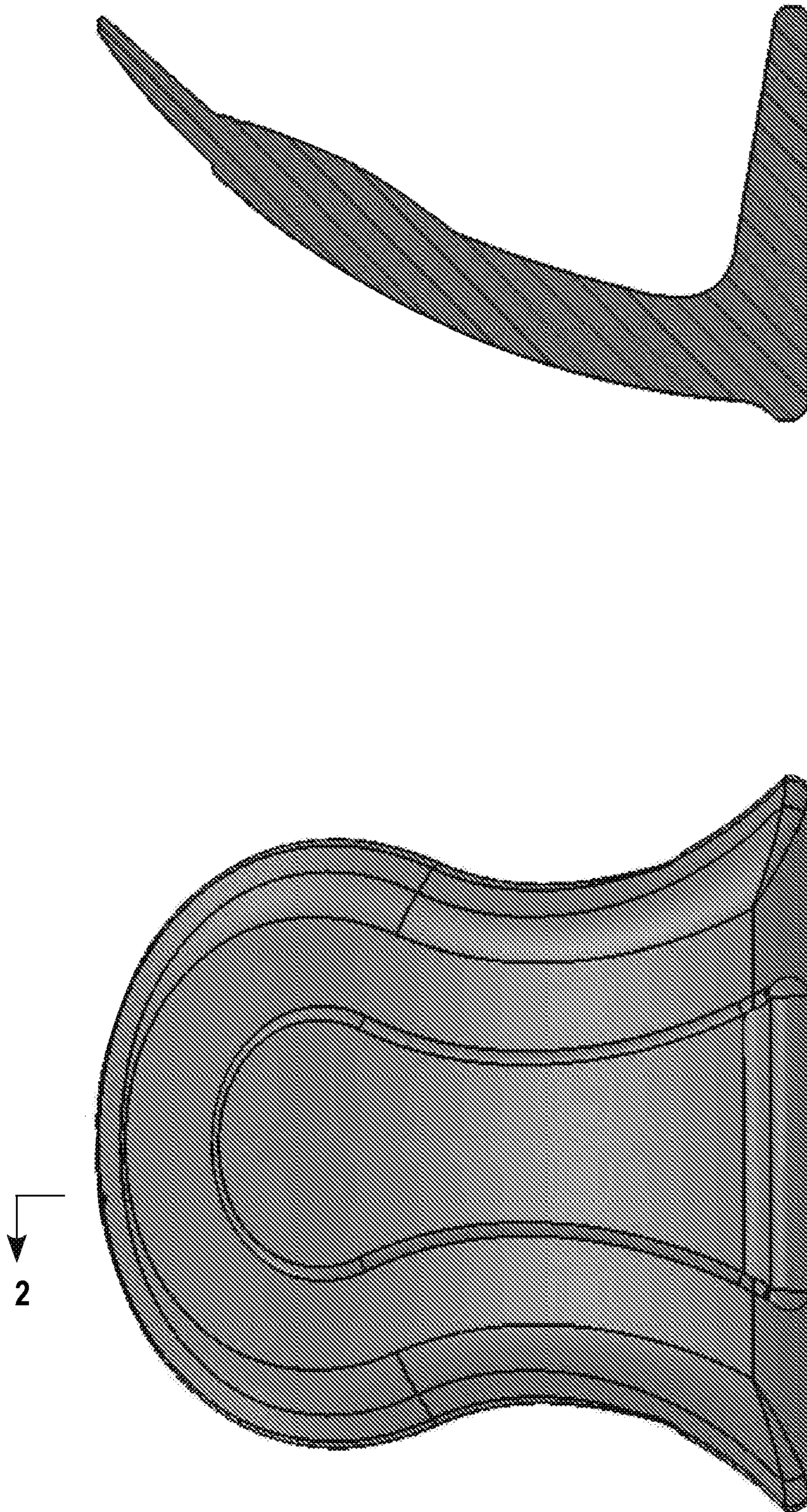


FIG. 2

FIG. 1



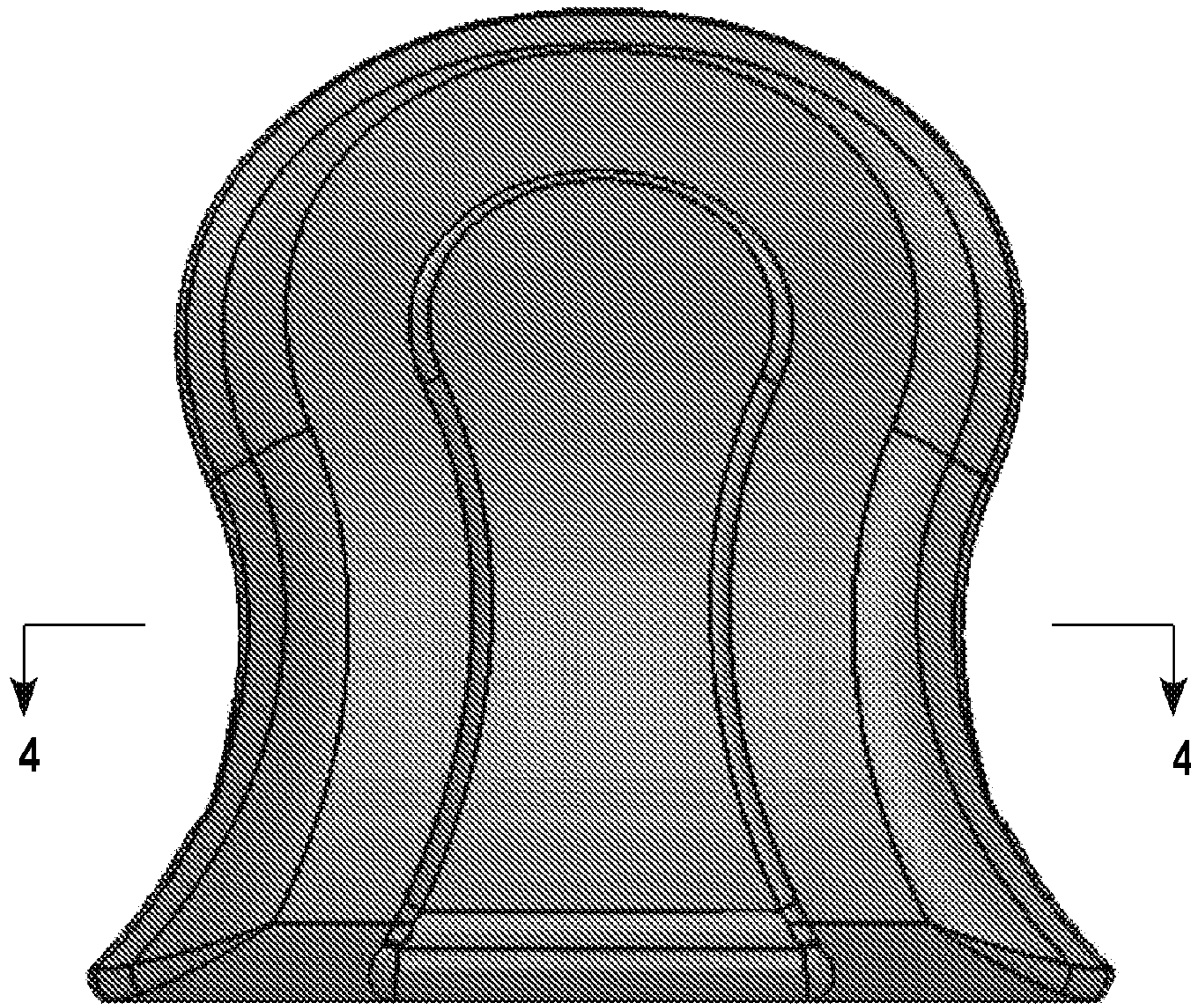


FIG. 3

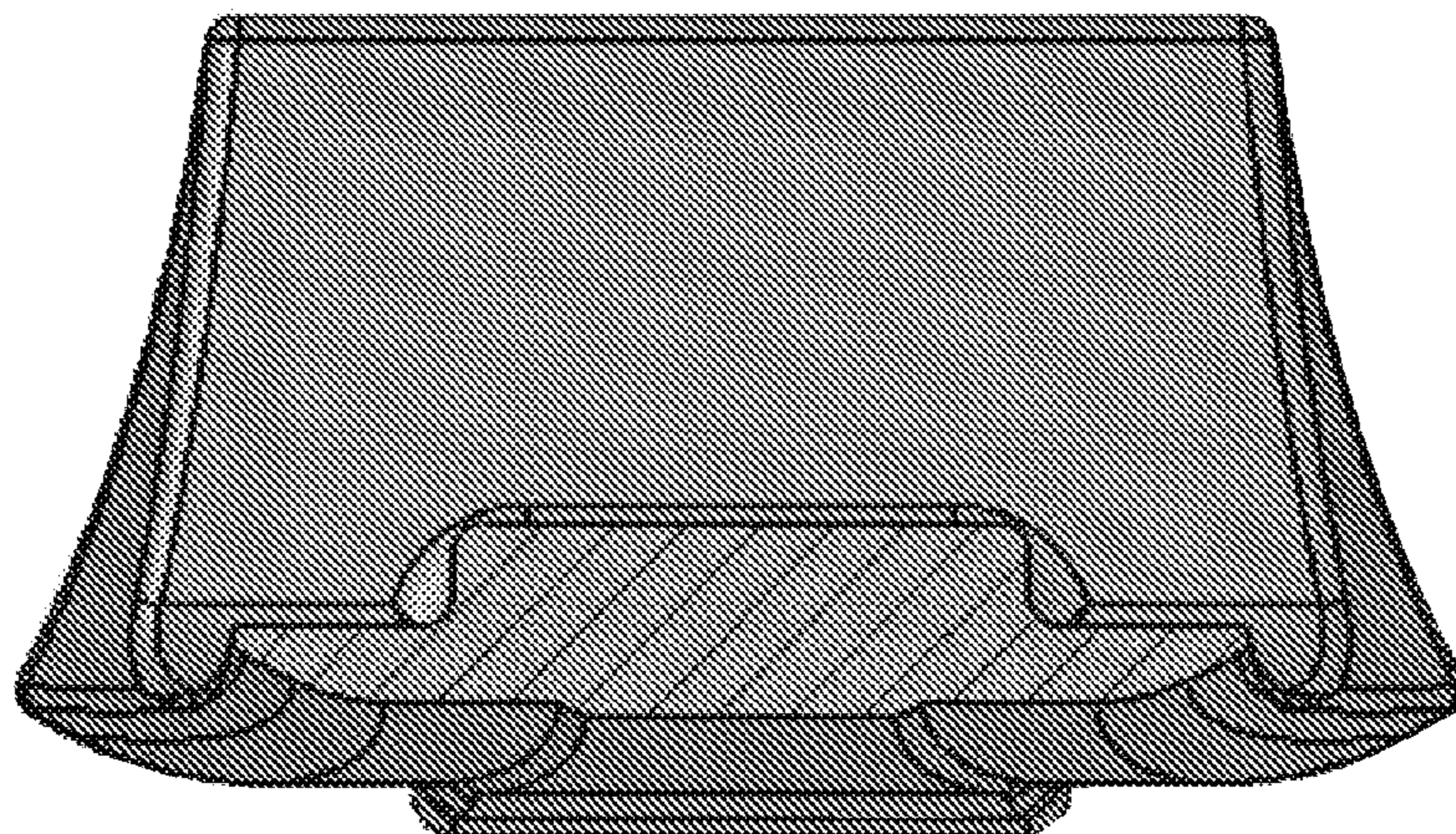


FIG. 4