



US00D672170S

(12) **United States Design Patent**
Ping et al.

(10) **Patent No.:** **US D672,170 S**
(45) **Date of Patent:** **** Dec. 11, 2012**

(54) **CHAIR BACKREST AND SEAT**

(75) Inventors: **Li Ping**, Zhejiang Province (CN); **Chris Ross**, Pontotoc, MS (US); **Chris Burgett**, Saltillo, MS (US)

(73) Assignee: **Ashley Furniture Industries, Inc.**,
Arcadia, WI (US)

(**) Term: **14 Years**

(21) Appl. No.: **29/398,283**

(22) Filed: **Jul. 28, 2011**

(51) **LOC (9) Cl.** **06-01**

(52) **U.S. Cl.** **D6/500; D6/365**

(58) **Field of Classification Search** D6/334-336,
D6/344, 364, 365, 366, 367, 368, 500-502;
297/317, 344.21, 451.4, 451.5, 452.16, 452.26,
297/452.27, 452.35, 452.36, 452.37, 411.46
See application file for complete search history.

(56) **References Cited**

U.S. PATENT DOCUMENTS

D280,786 S	10/1985	Platner
D282,221 S	1/1986	Platner
D286,105 S	10/1986	Goldman
D291,265 S	8/1987	Heggdal et al.
4,768,829 A	9/1988	Goldman
D304,393 S	11/1989	Lange, Jr.
D316,936 S	5/1991	Ekornes et al.
D334,673 S	4/1993	Robison
D335,582 S	5/1993	Desnoyers
D335,967 S	6/1993	Robison
D351,509 S	10/1994	Goldberg
D352,610 S	11/1994	Natuzzi
D364,283 S	11/1995	Zaidman
D376,265 S	12/1996	Lewis
D380,093 S	6/1997	Lewis
D381,819 S	8/1997	Lewis
D388,982 S	1/1998	Desnoyers
D395,963 S	7/1998	Lewis

D403,169 S	12/1998	Tseng
D405,282 S	2/1999	Desnoyers et al.
D408,164 S	4/1999	Popham
D411,053 S	6/1999	Lewis

(Continued)

OTHER PUBLICATIONS

Photo of "9587" Chair, (Nov. 17, 2010). 1 page.

(Continued)

Primary Examiner — Mimoso De

(74) *Attorney, Agent, or Firm* — Patterson Thuent Christensen Pedersen, P.A.

(57) **CLAIM**

We claim the ornamental design for chair backrest and seat, as shown and described.

DESCRIPTION

FIG. 1 is a front perspective view of a chair backrest and seat of the invention. The view from the opposite side being a mirror image thereof.

FIG. 2 is a side view of a chair backrest and seat of the invention. The view from the opposite side being an identical mirror image thereof.

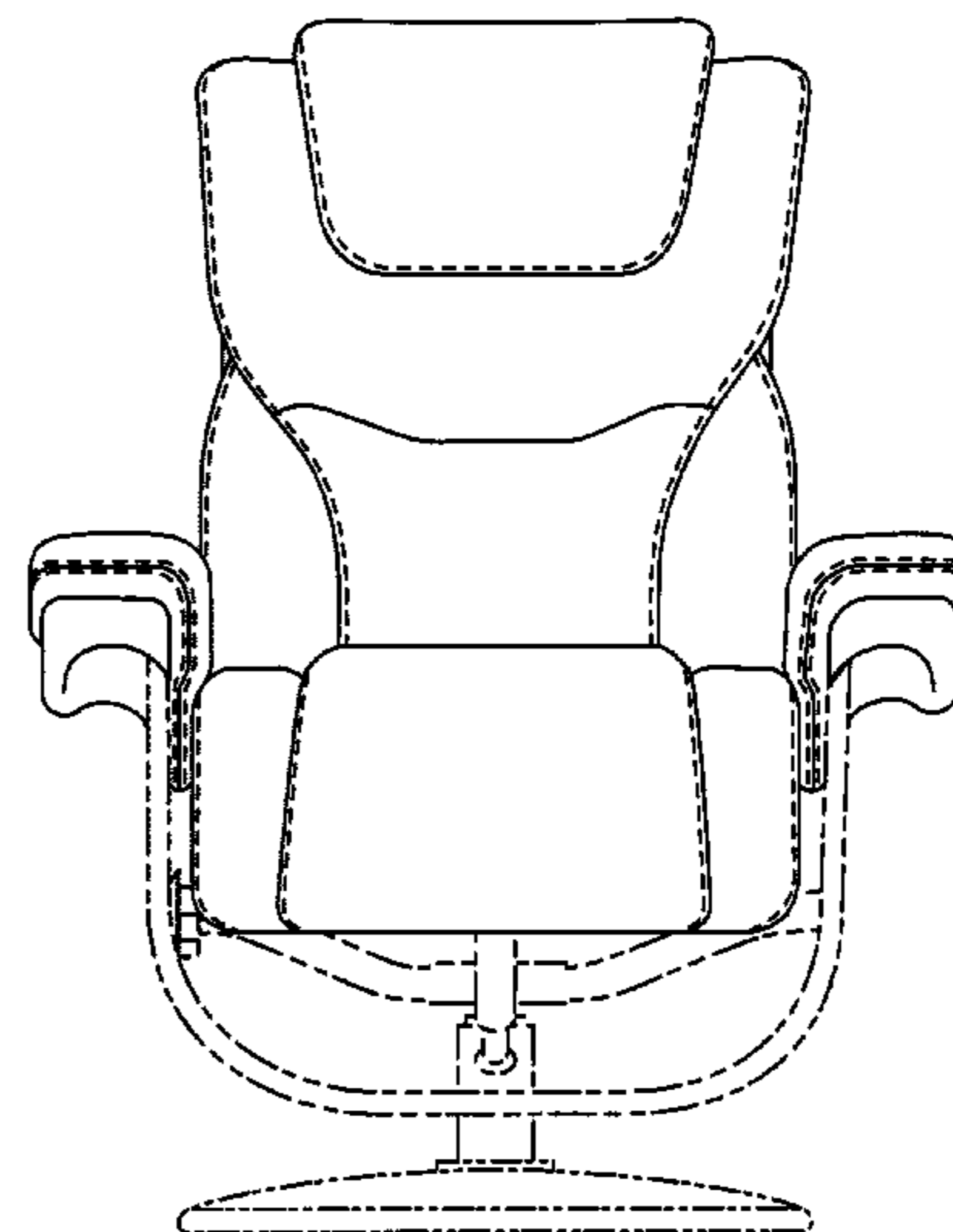
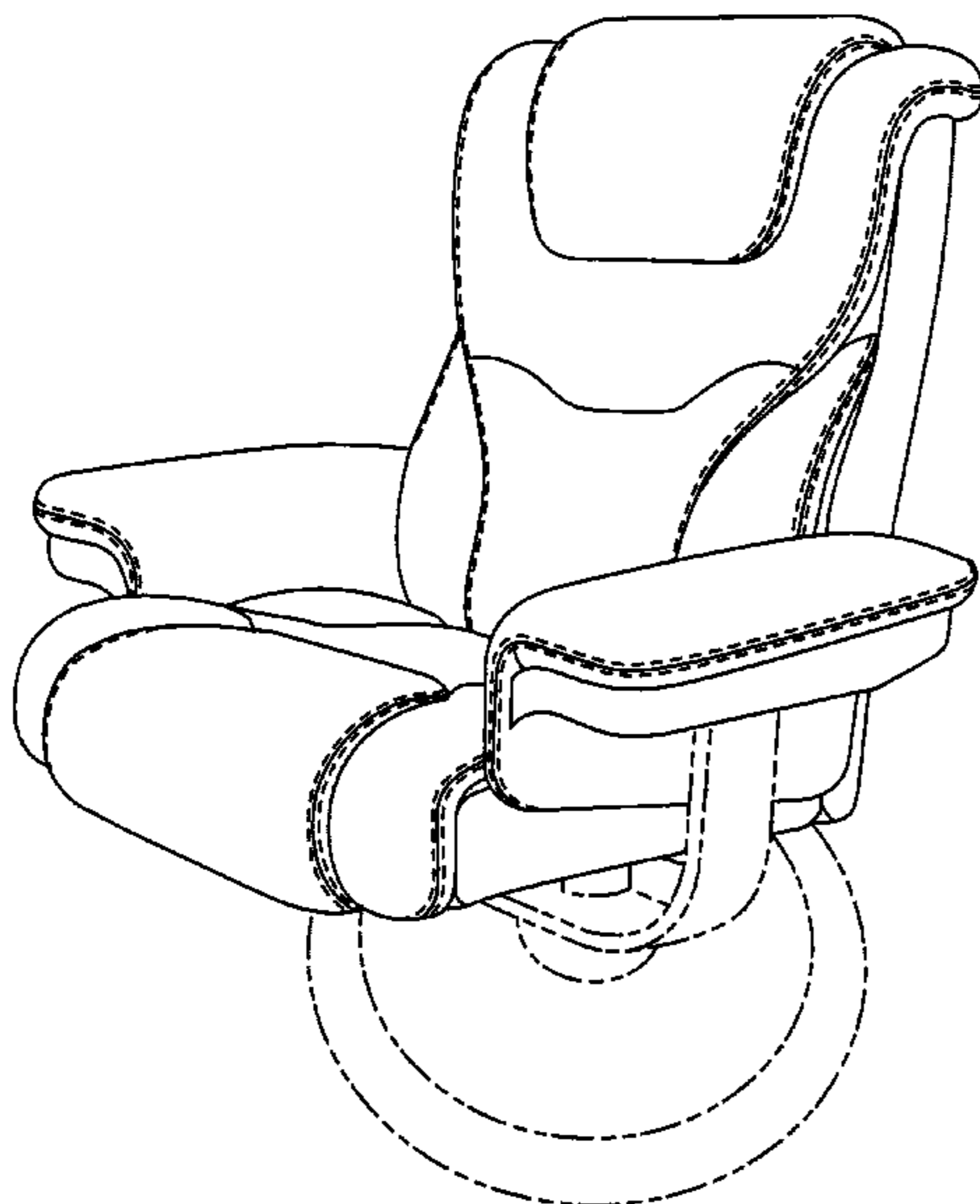
FIG. 3 is a front elevational view of a chair backrest and seat of the invention; and,

FIG. 4 is a top plan view of a chair backrest and seat of the invention.

The short, broke lines on the chair backrest and seat in FIGS. 1-4 are understood to represent stitching for illustrative purposes only and form no part of the claimed invention. The other dashed lines, comprising two short and one long dashed line, in the figures showing other parts of the chair being for illustrative purposes only and form no part of the claimed invention.

The backside of the chair is not shown and forms no part of the claimed invention.

1 Claim, 4 Drawing Sheets



US D672,170 S

U.S. PATENT DOCUMENTS

D411,687 S	6/1999	Lewis	D533,376 S	12/2006	Vong
D414,347 S	9/1999	Lewis	D533,377 S	12/2006	Egger
D414,630 S	10/1999	Buscio et al.	D534,020 S	12/2006	Smith
D414,631 S	10/1999	Zaidman	D534,747 S	1/2007	True
D414,965 S	10/1999	Zaidman	D535,127 S	1/2007	Egger
D415,372 S	10/1999	Zaidman	D535,128 S	1/2007	Egger
D415,373 S	10/1999	Zaidman	D535,499 S	1/2007	True
D415,638 S	10/1999	Zaidman	D535,501 S	1/2007	Egger
D417,982 S	12/1999	Zaidman	D535,502 S	1/2007	Egger
D420,820 S	2/2000	Lewis	D535,503 S	1/2007	Smith
D430,739 S	9/2000	Palumbo	D535,839 S	1/2007	Johnson
D430,742 S	9/2000	Lewis	D536,200 S	2/2007	Vong
D430,974 S	9/2000	Yang	D536,554 S	2/2007	True
D432,320 S	10/2000	Lewis	D536,555 S	2/2007	Egger
D436,745 S	1/2001	Lewis	D537,278 S	2/2007	Egger
D436,746 S	1/2001	Lewis	D537,279 S	2/2007	Smith
D437,126 S	2/2001	Denton	D537,660 S	3/2007	True
D437,130 S	2/2001	Tseng	D537,661 S	3/2007	McDiarmid
D437,131 S	2/2001	Tseng	D537,662 S	3/2007	McDiarmid
D441,993 S	5/2001	Lin	D537,663 S	3/2007	Johnson
D446,410 S	8/2001	Chen	D538,071 S	3/2007	Egger
D447,880 S	9/2001	Lewis	D538,072 S	3/2007	McDiarmid
D451,314 S	12/2001	Tseng	D538,073 S	3/2007	McDiarmid
D451,316 S	12/2001	Tseng	D538,558 S	3/2007	Egger
D451,716 S	12/2001	Tseng	D539,044 S	3/2007	Solheim
D454,014 S	3/2002	Su	D540,573 S	4/2007	Smith
D454,704 S	3/2002	Lewis	D542,574 S	5/2007	Johnson
D459,095 S	6/2002	Lewis	D543,399 S	5/2007	Johnson
D459,599 S	7/2002	Zaidman	D543,716 S	6/2007	Votteler
D460,885 S	7/2002	Silva	D547,558 S	7/2007	Egger
D463,172 S	9/2002	Tsai	D555,376 S	11/2007	Lade
D463,692 S	10/2002	Chi	D557,530 S	12/2007	Egger
D467,442 S	12/2002	Zaidman	D557,531 S	12/2007	Johnson
D467,746 S	12/2002	Zaidman	D557,947 S	12/2007	Egger
D467,747 S	12/2002	Zaidman	D558,468 S	1/2008	Lade
D468,119 S	1/2003	Zaidman	D558,469 S	1/2008	Lade
D468,120 S	1/2003	Zaidman	D561,502 S	2/2008	Egger
D468,123 S	1/2003	Zaidman	D561,504 S	2/2008	Smith
D471,728 S	3/2003	Tseng	D566,435 S	4/2008	Grove
D474,901 S	5/2003	Lewis	D566,437 S	4/2008	Egger
D474,902 S	5/2003	Lewis	D569,116 S	5/2008	Tsai
D476,491 S	7/2003	Lewis	D572,050 S	7/2008	Tamara
D476,492 S	7/2003	Yamamoto	D575,069 S	8/2008	Potter
D487,987 S	4/2004	Wu	D583,597 S	12/2008	Egger
D490,617 S	6/2004	Lowman	D584,082 S	1/2009	Nguyen
D491,398 S	6/2004	True	D585,221 S	1/2009	Egger
D492,494 S	7/2004	Tai	D593,343 S	6/2009	True
D494,390 S	8/2004	True	D593,344 S	6/2009	True
D494,391 S	8/2004	True	D596,428 S	7/2009	True
D494,788 S	8/2004	True	D596,429 S	7/2009	Egger
D494,790 S	8/2004	True	D597,350 S	8/2009	Tamara
D495,168 S	8/2004	True	D597,772 S	8/2009	True
D495,169 S	8/2004	True	D598,682 S	8/2009	Egger
D495,170 S	8/2004	True	D601,359 S	10/2009	Wold
D495,907 S	9/2004	True	D601,828 S	10/2009	Wold
D503,547 S	4/2005	Lowman	D606,781 S	12/2009	Hernandez
D504,040 S	4/2005	True	D614,894 S	5/2010	Queally
D505,799 S	6/2005	Huang	D614,895 S	5/2010	Queally
D508,351 S	8/2005	True	D657,595 S *	4/2012	Ping et al. D6/500
D508,352 S	8/2005	True	D657,983 S *	4/2012	Ping et al. D6/500
D508,790 S	8/2005	Natuzzi			
D509,074 S	9/2005	Westendorf			
D510,215 S	10/2005	True			
D511,260 S	11/2005	True			
D518,319 S	4/2006	True			
D530,935 S	10/2006	Huang			
D531,421 S	11/2006	Egger			
D531,422 S	11/2006	Huang			
D531,433 S	11/2006	Johnson			
D531,434 S *	11/2006	True D6/500			
D532,223 S	11/2006	True			
D532,225 S	11/2006	Egger			
D532,227 S	11/2006	Smith			
D532,628 S	11/2006	Egger			
D532,629 S	11/2006	True			
D532,631 S	11/2006	Egger			
D532,632 S	11/2006	Egger			
D532,633 S	11/2006	Smith			

OTHER PUBLICATIONS

Photo of Lane Furniture "Angelo" Chair, (prior to Jan. 29, 2010). 1 page.

Photo of Lane Furniture "Boca" Chair, (prior to Jan. 29, 2010). 1 page.

Photo of Lane Furniture "Andre" Chair, (prior to Jan. 29, 2010). 1 page.

Photo of Lane Furniture "Impulse" Chair, (prior to Jan. 29, 2010). 1 page.

Application and File History for U.S. Appl. No. 29/378,926, filed Nov. 11, 2010, inventors Ping et al.

Application and File History for U.S. Appl. No. 29/378,928, filed Nov. 11, 2010, inventors Ping et al.

Application and File History for U.S. Appl. No. 29/378,929, filed Nov. 11, 2010, inventors Ping et al.

US D672,170 S

Page 3

Application and File History for U.S. Appl. No. 29/376,856, filed Oct. 13, 2010, inventors Ping et al.

Application and File History for U.S. Appl. No. 29/376,857, filed Oct. 13, 2010, inventors Ping et al.

Application and File History for U.S. Appl. No. 29/378,935, filed Nov. 11, 2010, inventors Ping et al.

Application and File History for U.S. Appl. No. 29/376,861, filed Oct. 13, 2010, inventors Ping et al.

Application and File History for U.S. Appl. No. 29/398,282, filed Jul. 28, 2011, inventors Ping et al.

Application and File History for U.S. Appl. No. 29/398,284, filed Jul. 28, 2011 inventors Ping et al.

* cited by examiner

Fig. 1

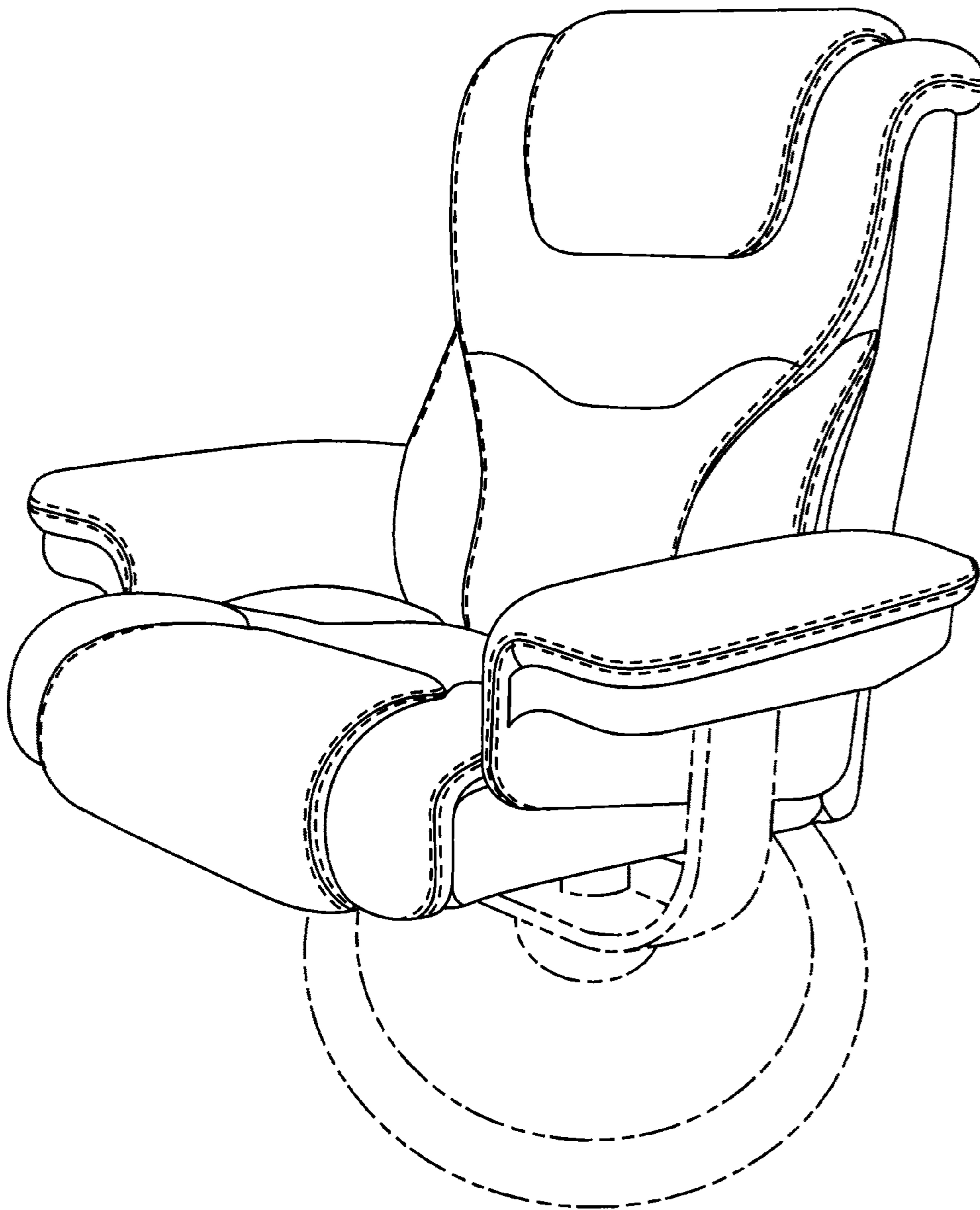


Fig. 2

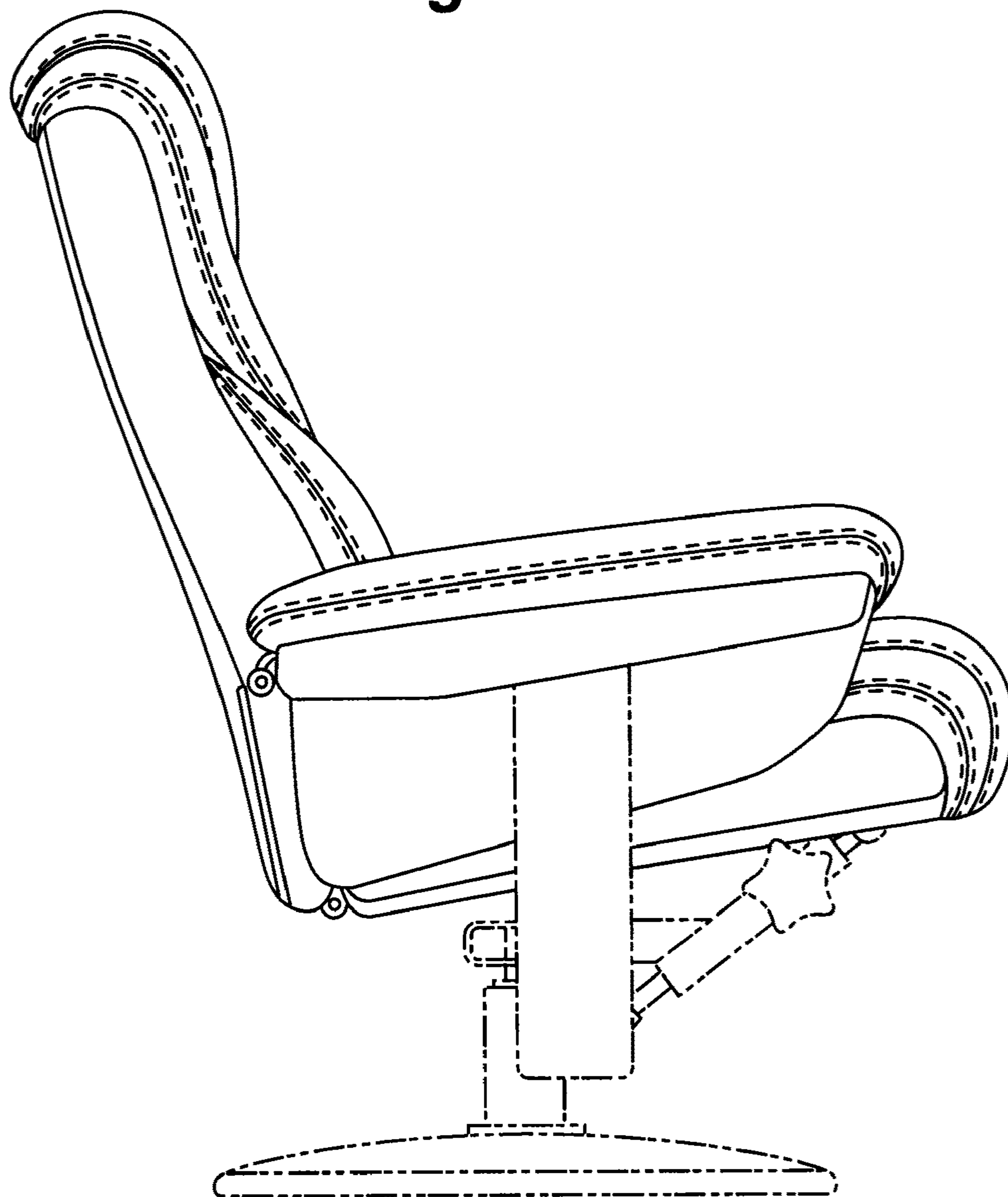


Fig. 3

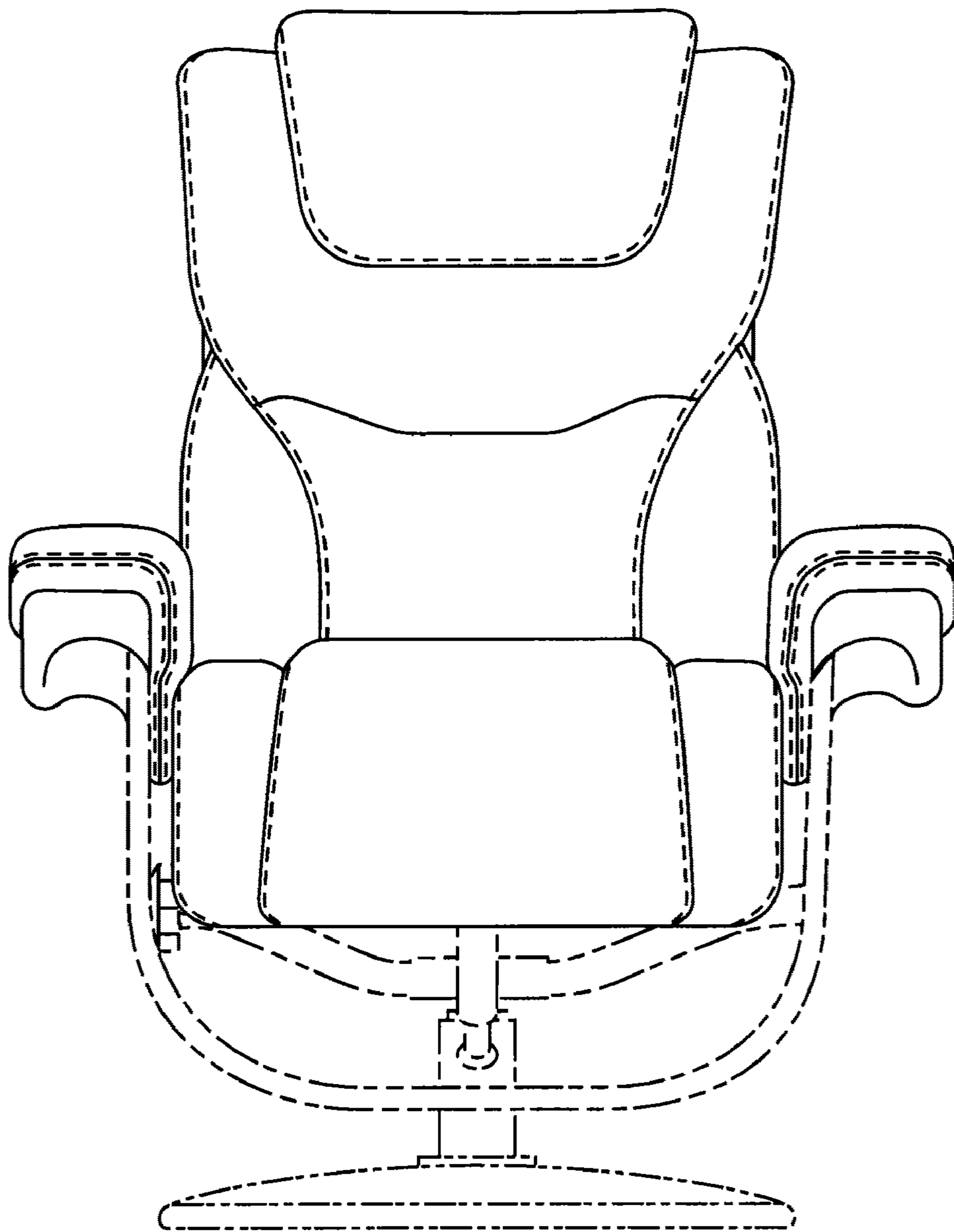


Fig. 4

