



US00D672169S

(12) **United States Design Patent**
Linder

(10) **Patent No.:** **US D672,169 S**

(45) **Date of Patent:** **** Dec. 11, 2012**

(54) **THREE-LEGGED PORTABLE TARGET STAND**

D600,482 S * 9/2009 St. John D6/552
D632,720 S * 2/2011 Barker D16/244
D648,818 S * 11/2011 Zalar D22/113

(76) Inventor: **Ronald D. Linder**, Chandler, AZ (US)

* cited by examiner

(**) Term: **14 Years**

Primary Examiner — Caron D Veynar

Assistant Examiner — Abraham Bahta

(21) Appl. No.: **29/426,632**

(74) *Attorney, Agent, or Firm* — Timothy M. Barlow

(22) Filed: **Jul. 9, 2012**

(57) **CLAIM**

(51) **LOC (9) Cl.** **06-06**

The ornamental design for a three-legged portable target stand, as shown.

(52) **U.S. Cl.** **D6/496**

(58) **Field of Classification Search** D6/495-499,
D6/429-431, 480-489, 419-420, 364-367,
D6/334-335, 396-397, 552; 108/150, 153.1,
108/161, 155, 156, 144.11; 248/188, 188.1-188.9,
248/188.91, 125.8, 177.1; 343/880-882,
343/840; D14/238; D16/244-245; 211/203;
89/40.06; D21/569, 302, 790; D22/113;
D20/17, 41, 99; D25/35, 39, 42-44, 58,
D25/126-128, 199; 273/127 R, 331, 348,
273/407; 463/54; 40/606.01

DESCRIPTION

See application file for complete search history.

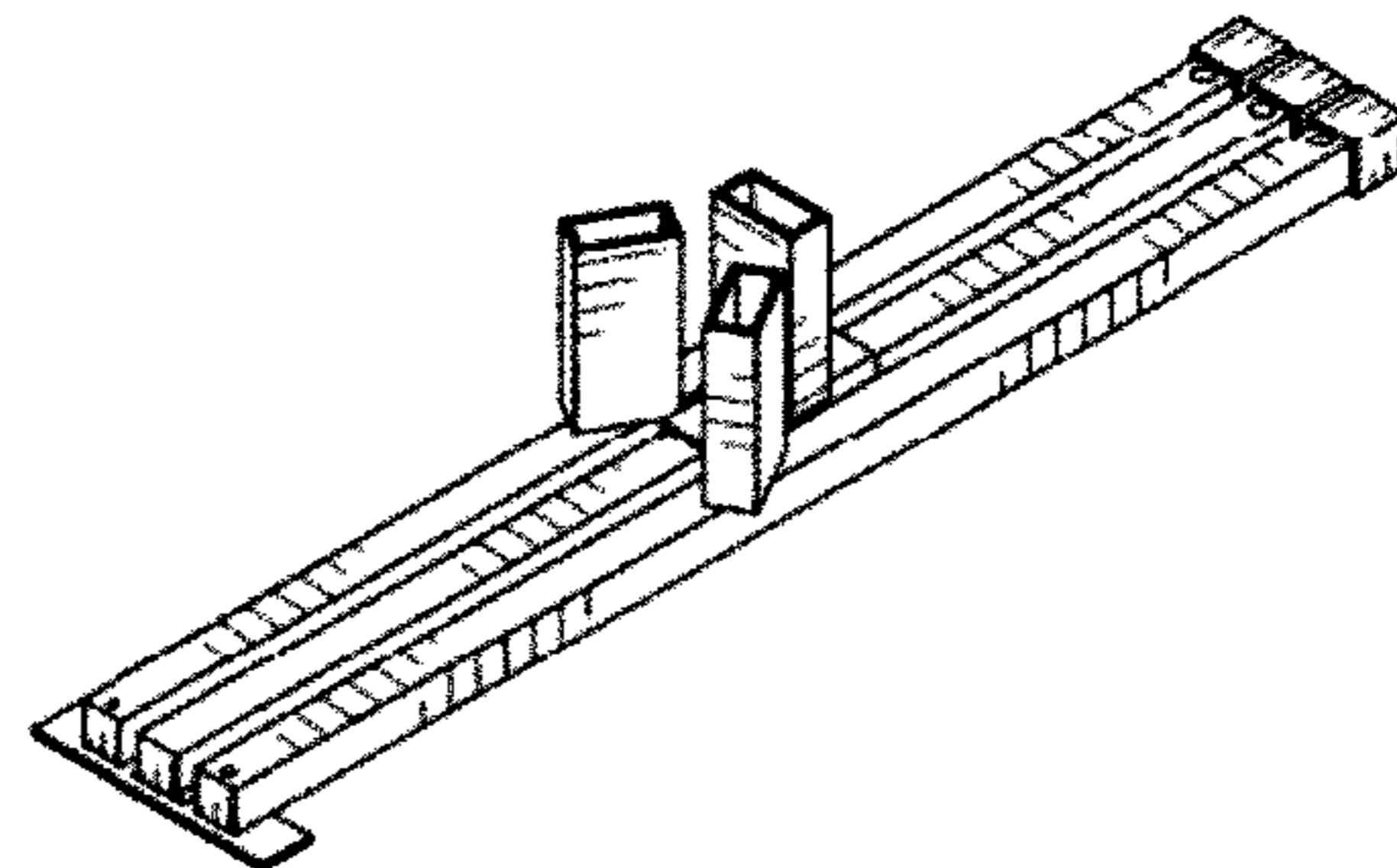
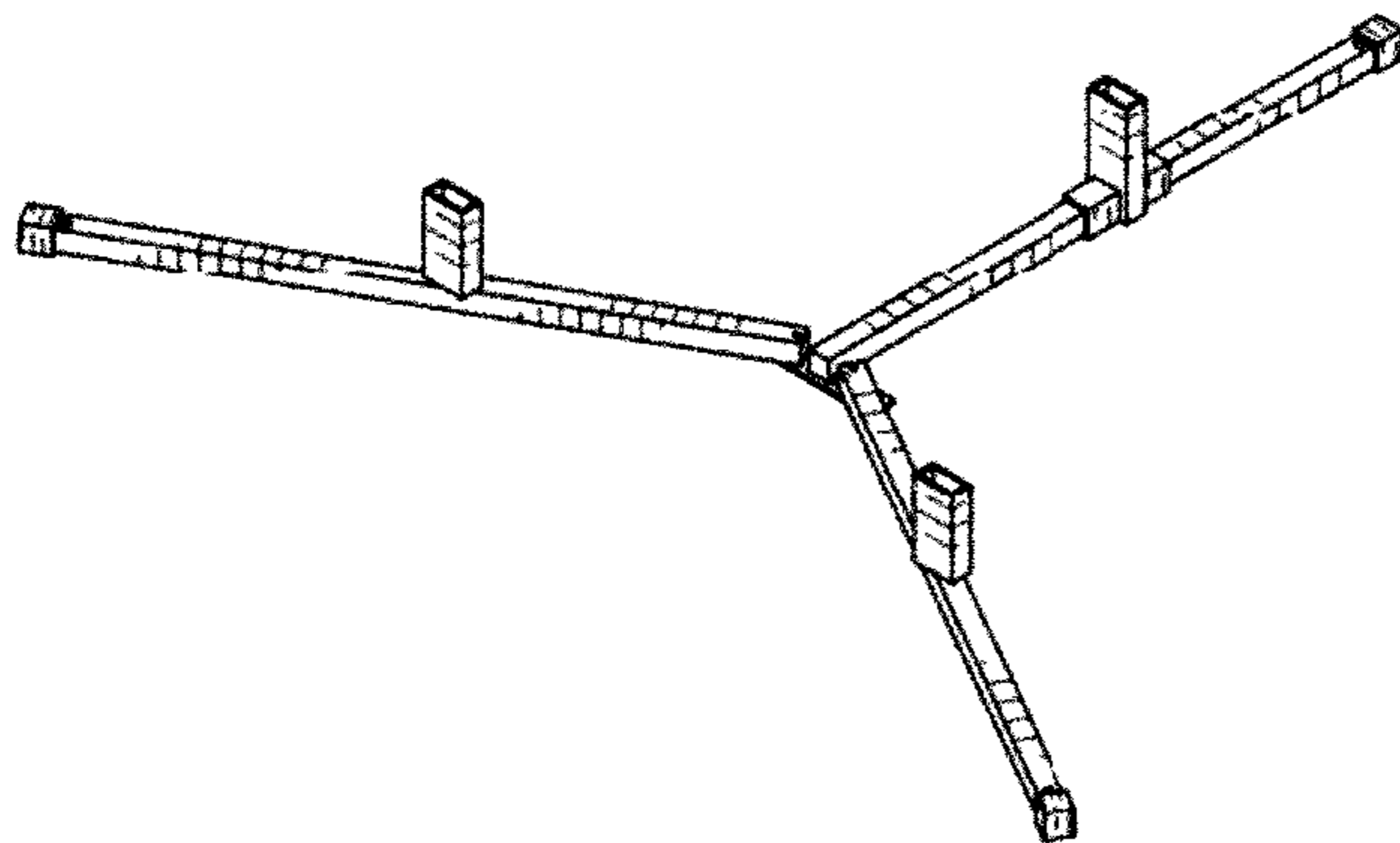
FIG. 1 is an upper perspective view of the three-legged portable target stand in an open position showing my new design; FIG. 2 is a lower perspective view thereof; FIG. 3 is a top view thereof; FIG. 4 is a bottom view thereof; FIG. 5 is a left side view thereof; FIG. 6 is a right side view thereof; FIG. 7 is a front view thereof; FIG. 8 is rear view thereof; FIG. 9 is an upper perspective view of the three-legged portable target stand in a folded position; FIG. 10 is a bottom perspective view of FIG. 9; FIG. 11 is a top view of FIG. 9; FIG. 12 is a bottom view of FIG. 9; FIG. 13 is a left side view of FIG. 9; FIG. 14 is a right side view of FIG. 9; FIG. 15 is a front view of FIG. 9; and, FIG. 16 is a rear view of FIG. 9.

(56) **References Cited**

U.S. PATENT DOCUMENTS

D193,859 S * 10/1962 Nissen D21/797
D193,862 S * 10/1962 Nissen D21/797
D286,288 S * 10/1986 Skinner et al. D14/238
D353,287 S * 12/1994 Hemberger D6/495
D362,854 S * 10/1995 Fahy D14/238
5,564,661 A * 10/1996 Gershon 248/167
D409,861 S * 5/1999 Newhouse D6/495
D468,137 S * 1/2003 Ulmer D6/496
D549,015 S * 8/2007 Petrick et al. D6/498

1 Claim, 6 Drawing Sheets



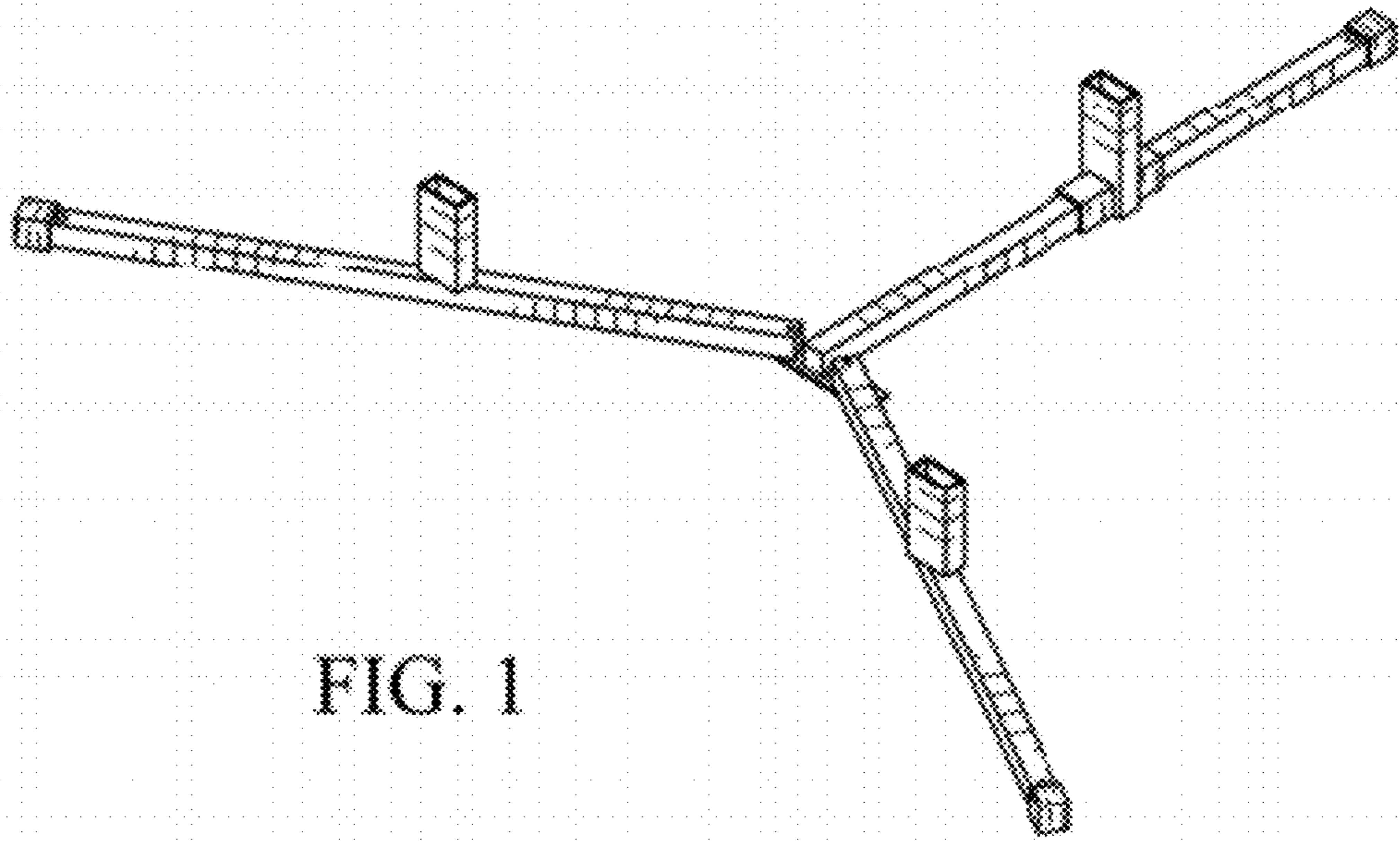


FIG. 1

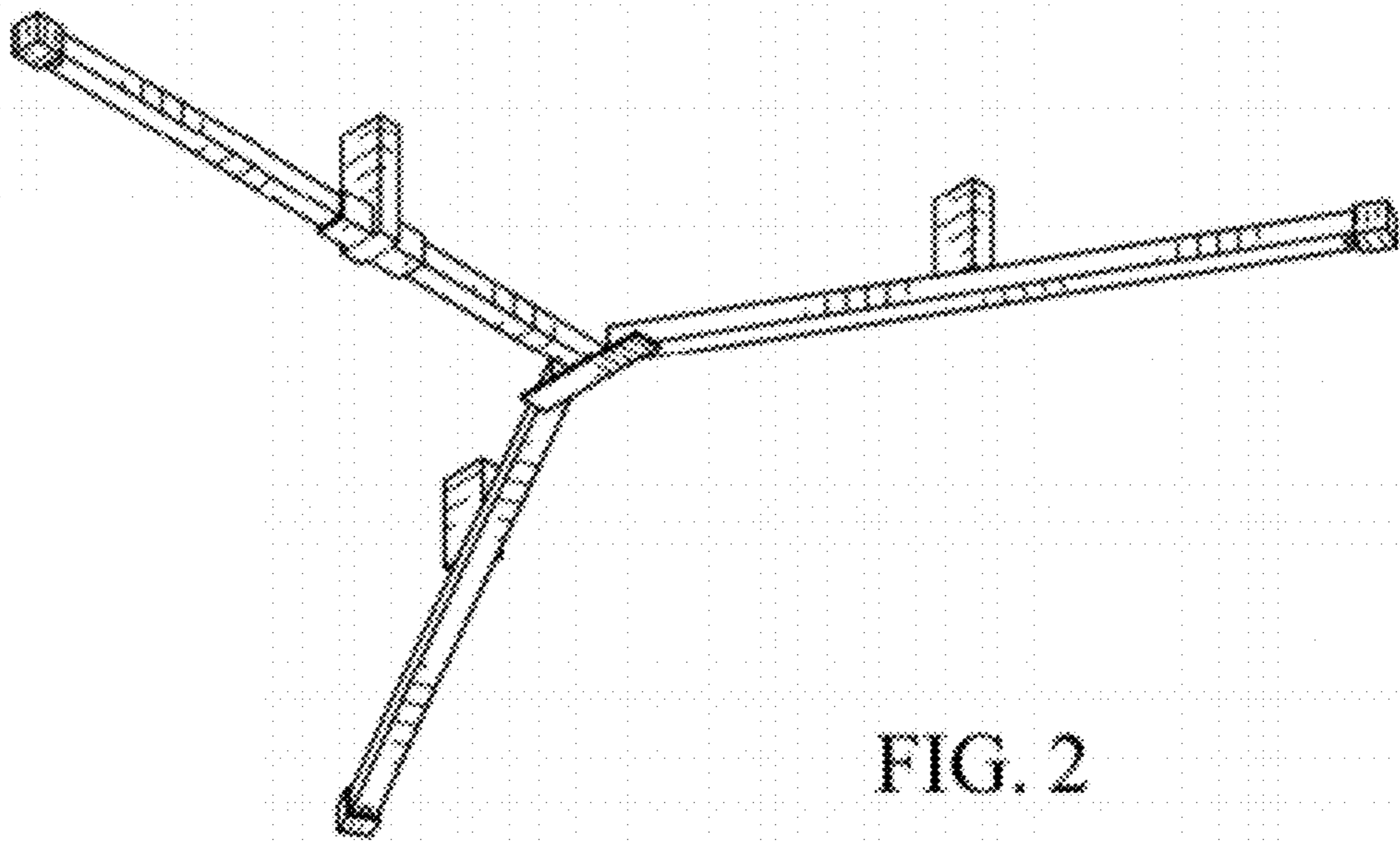
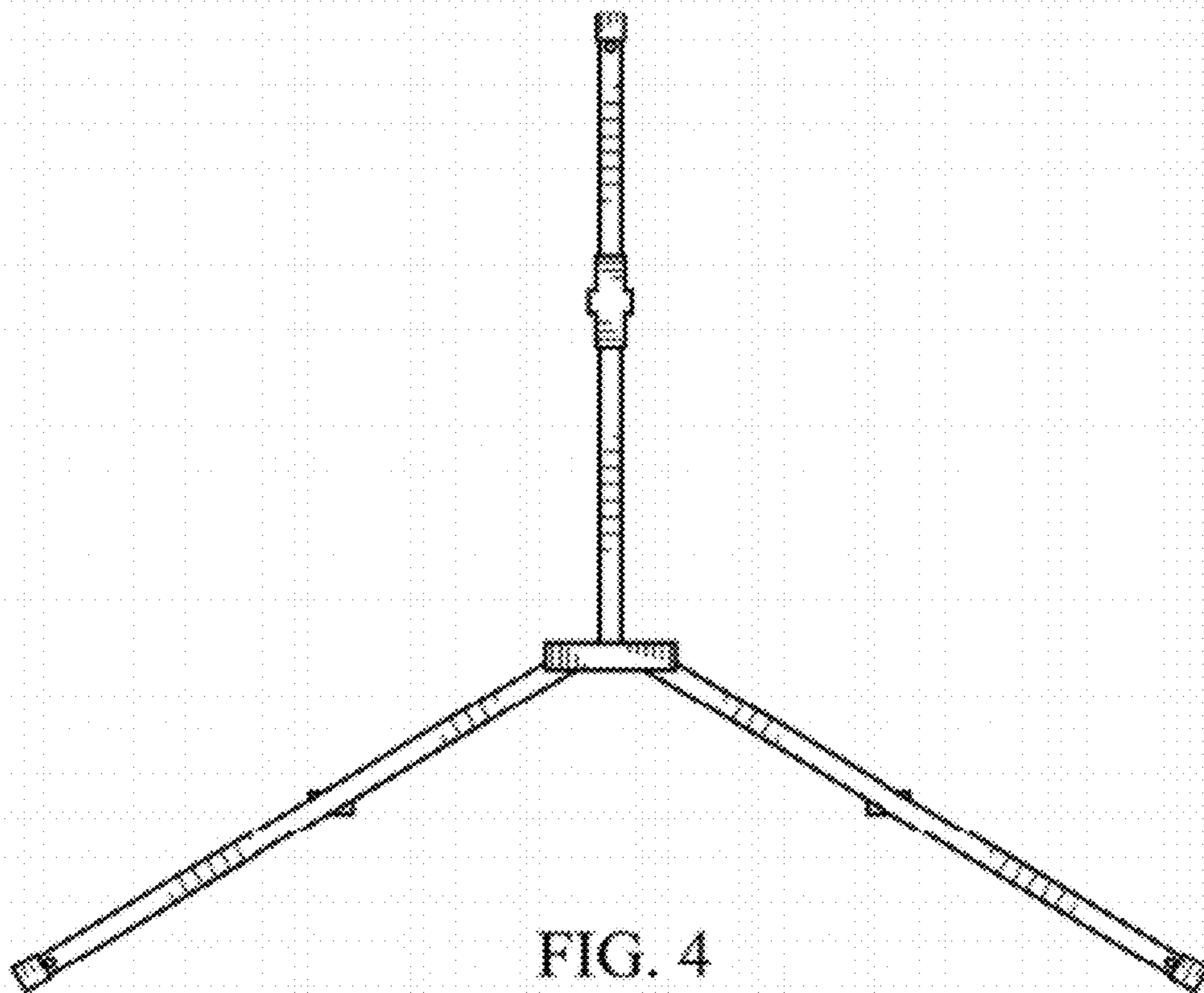
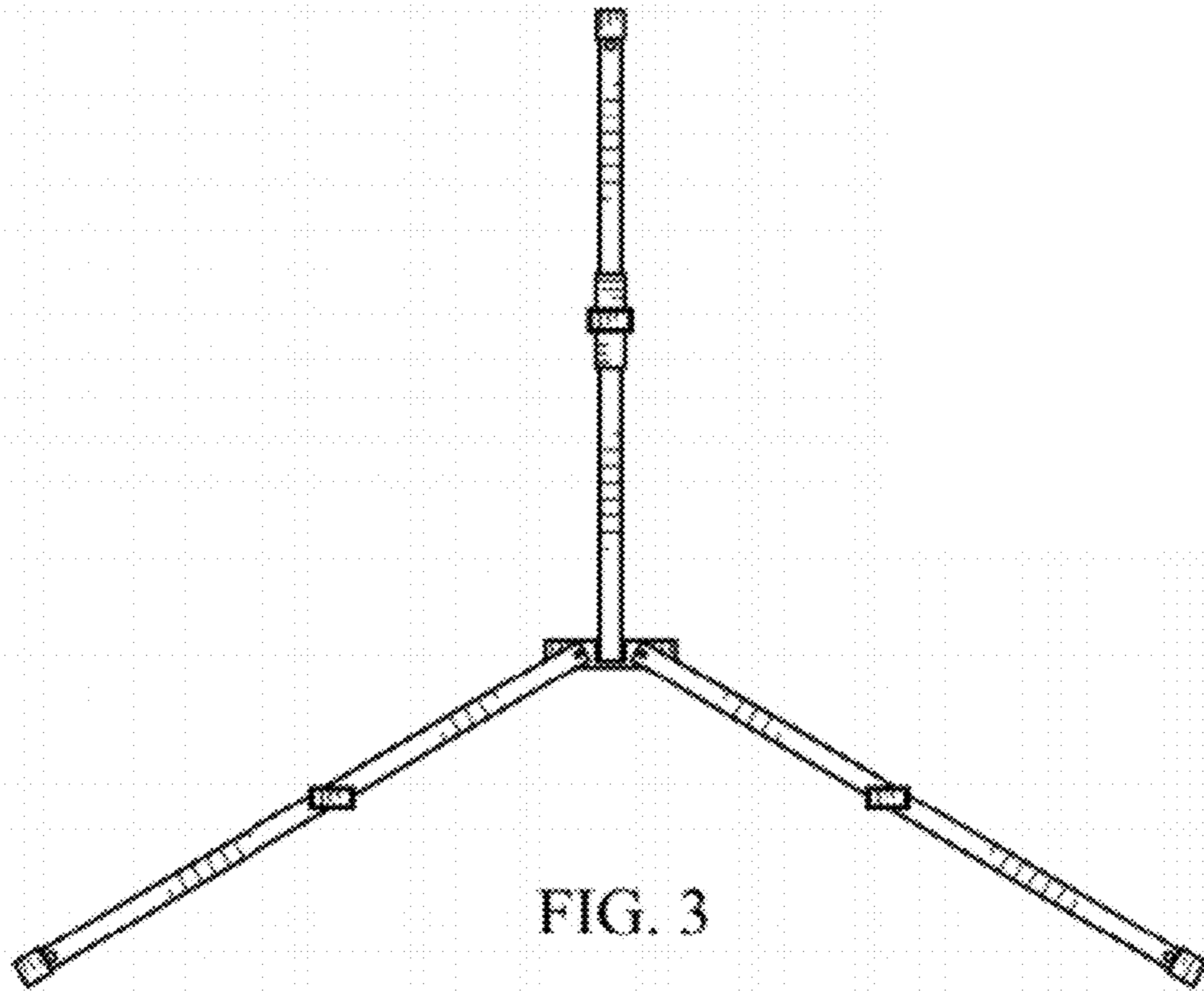


FIG. 2



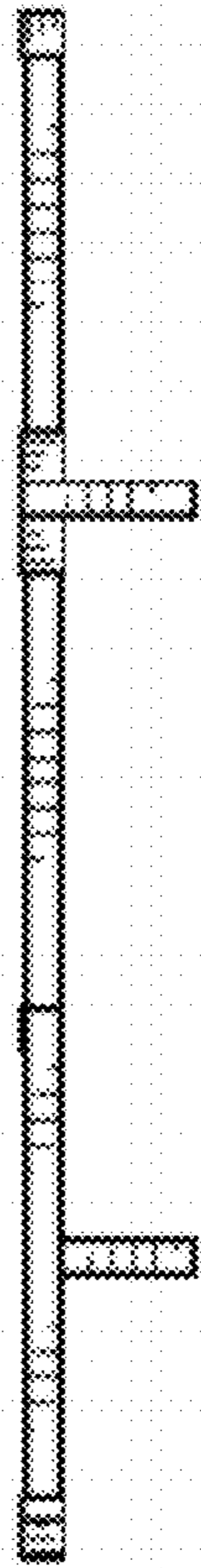


FIG. 5

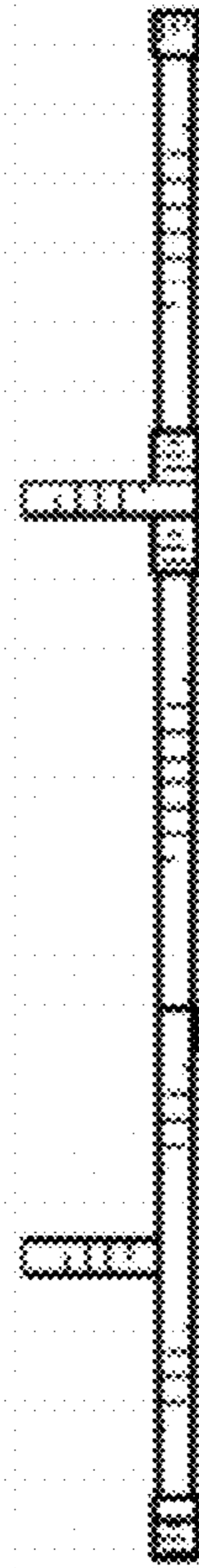


FIG. 6

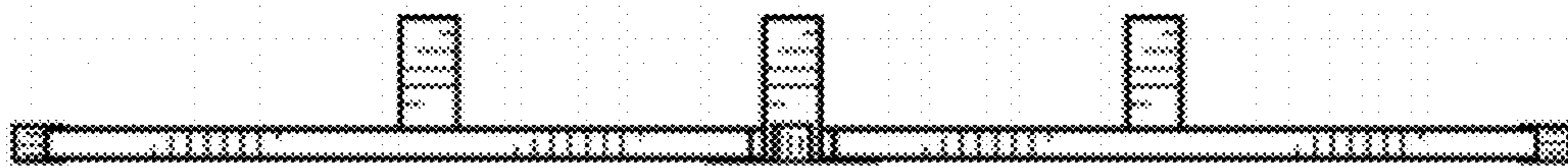


FIG. 7

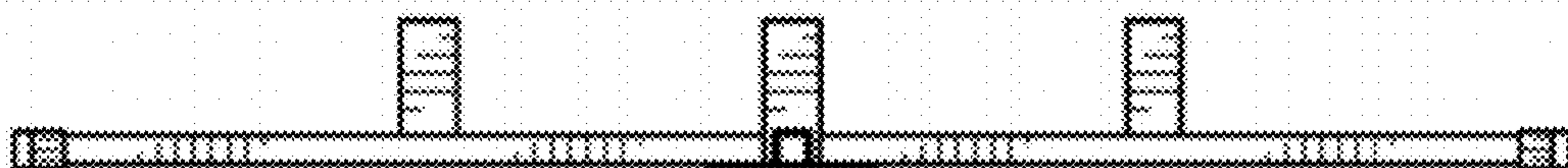


FIG. 8

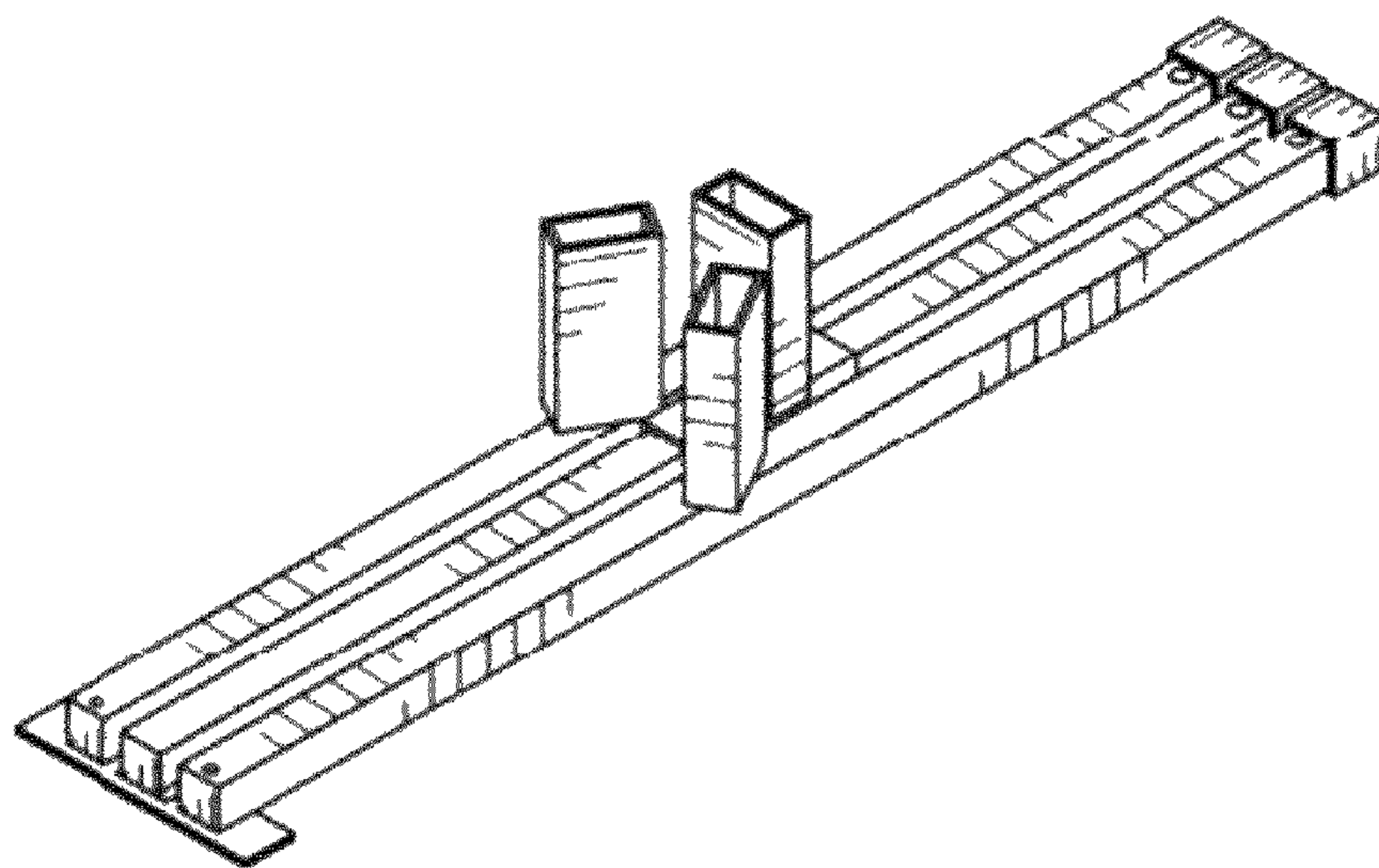


FIG. 9

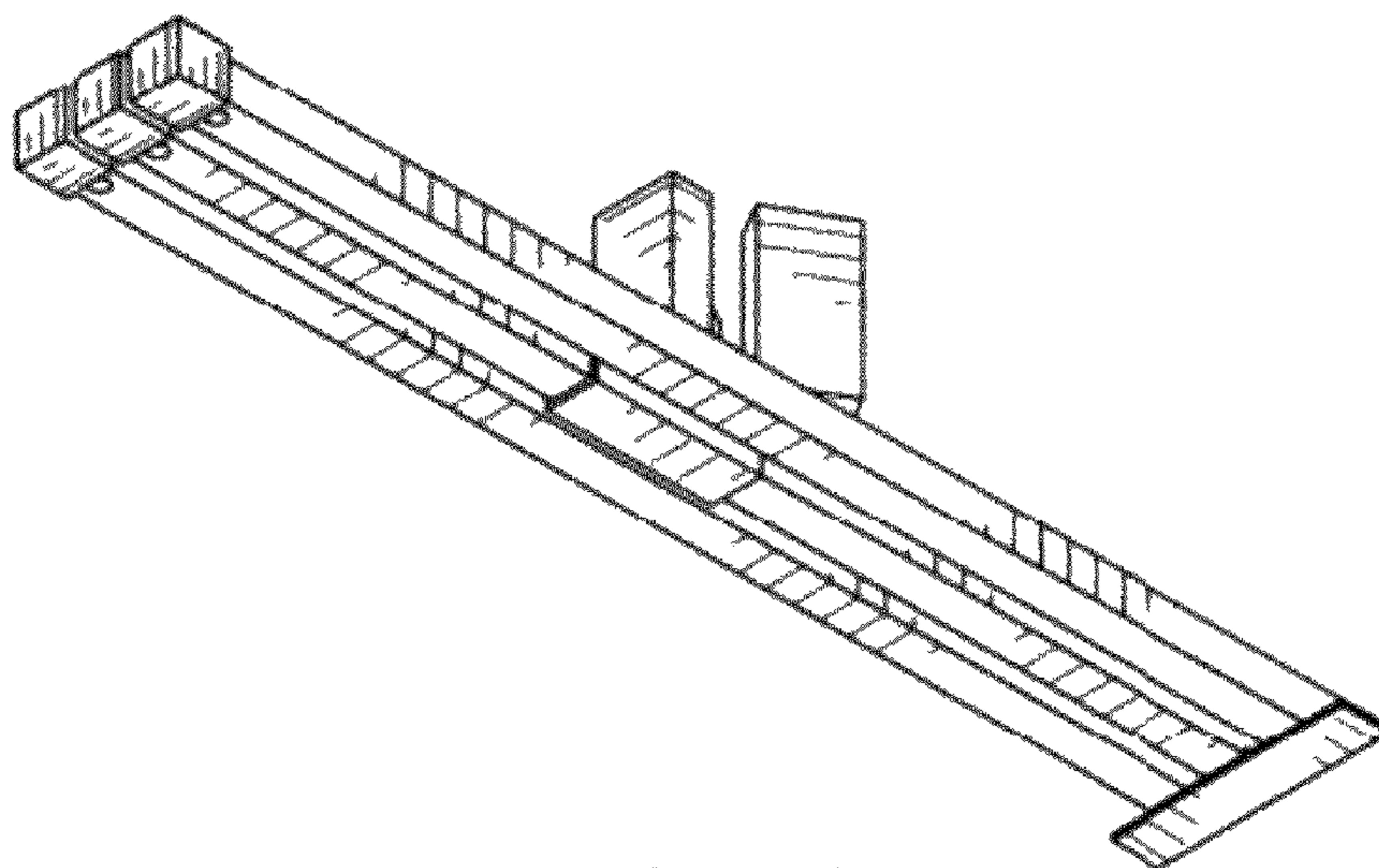


FIG. 10

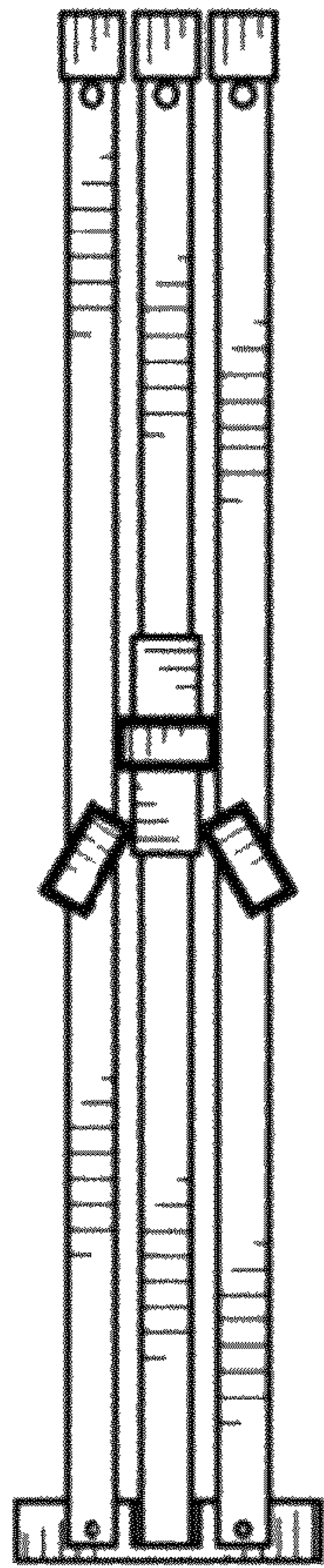


FIG. 11

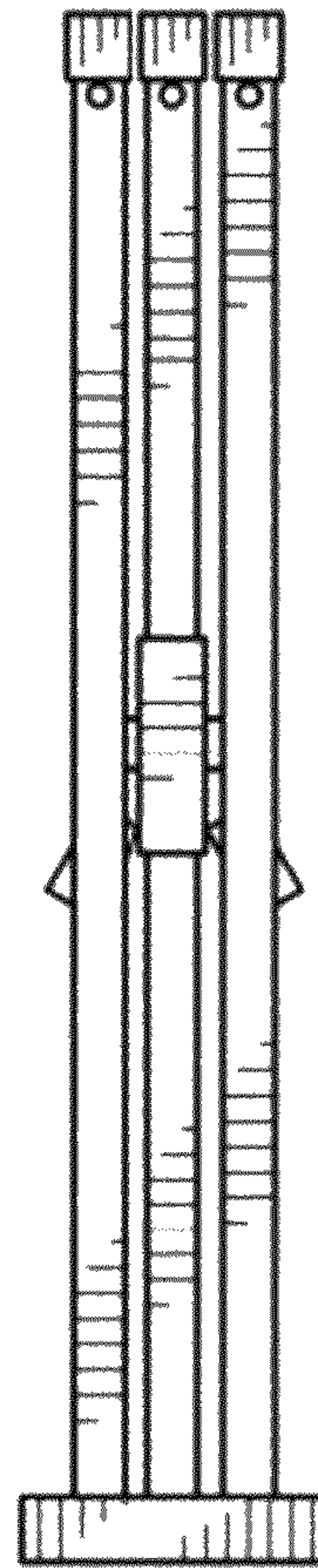


FIG. 12

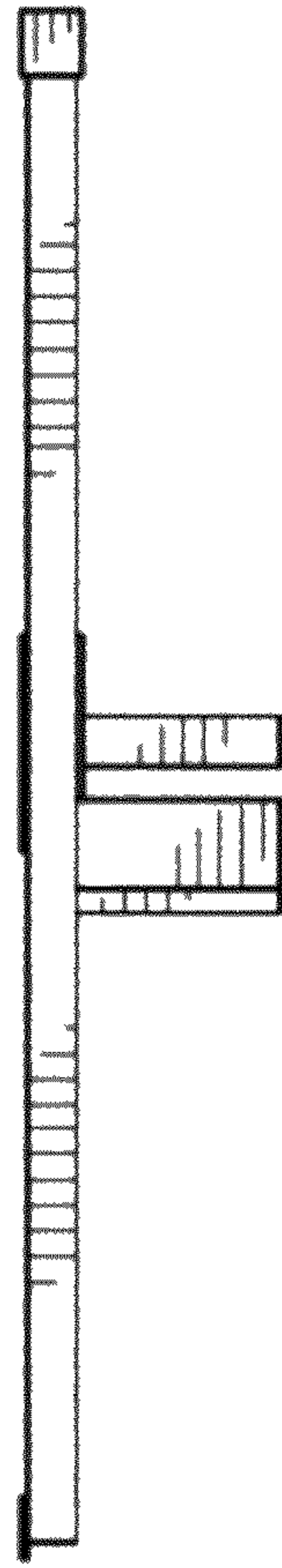


FIG. 13

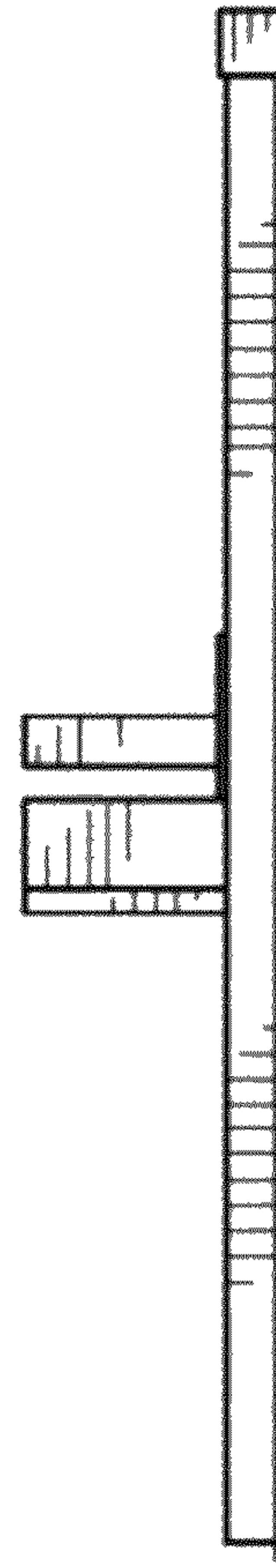


FIG. 14

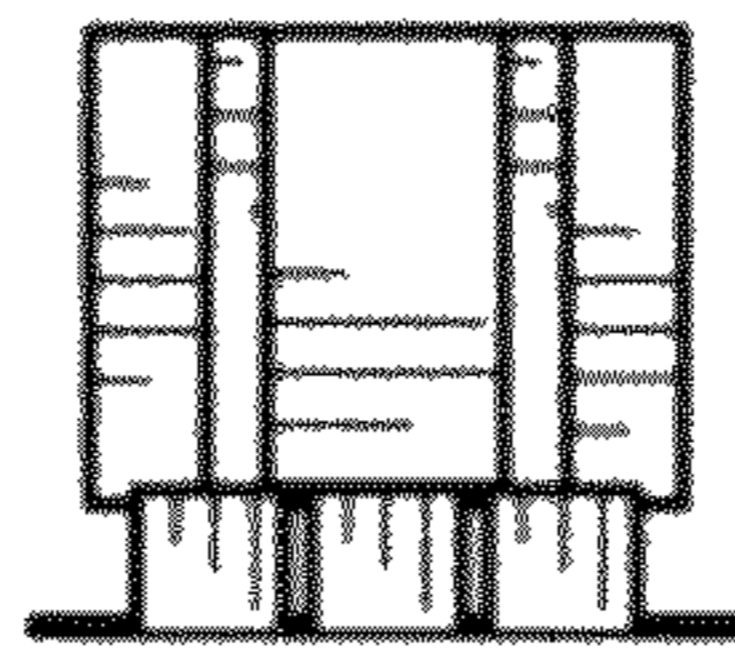


FIG. 15

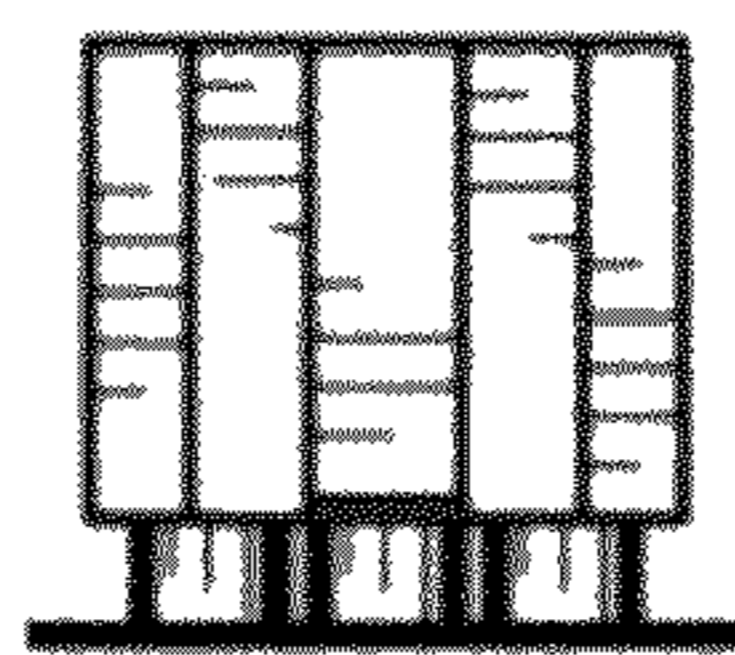


FIG. 16