



US00D672168S

(12) **United States Design Patent**
Davis

(10) **Patent No.:** **US D672,168 S**

(45) **Date of Patent:** **** Dec. 11, 2012**

(54) **DISPLAY MODULE FRAME**

(75) Inventor: **Adam Davis**, Leola, PA (US)

(73) Assignee: **Tait Towers Inc.**, Lititz, PA (US)

(**) Term: **14 Years**

(21) Appl. No.: **29/409,049**

(22) Filed: **Dec. 20, 2011**

(51) **LOC (9) Cl.** **06-06**

(52) **U.S. Cl.** **D6/476**

(58) **Field of Classification Search** D6/396-397,
D6/470-471, 476, 491-492, 509-511, 512-514;
D3/318-319, 321-322; 312/265.1-265.3,
312/330.1, 334.1, 334.8, 348.3, 348.4
See application file for complete search history.

(56) **References Cited**

U.S. PATENT DOCUMENTS

4,042,288	A *	8/1977	Litchfield	312/348.2
D289,115	S *	4/1987	Spicer	D6/462
4,703,982	A *	11/1987	Rock et al.	312/330.1
D370,144	S *	5/1996	Insalaco et al.	D6/509
D378,821	S *	4/1997	Westcott	D15/89
5,947,574	A *	9/1999	Avendano	312/408
6,053,593	A *	4/2000	Rock	312/348.2
D423,811	S *	5/2000	Smith	D6/407
D424,320	S *	5/2000	Klein et al.	D6/411
6,871,921	B2 *	3/2005	Ernst	312/348.3
D523,667	S *	6/2006	Bisson	D6/510
7,066,563	B2 *	6/2006	Berger	312/348.3
D599,145	S *	9/2009	Daino et al.	D6/510
D610,848	S *	3/2010	Yang et al.	D6/510
D611,162	S *	3/2010	Moon	D24/227
D637,025	S *	5/2011	Colin	D6/510

8,045,343	B2 *	10/2011	Fan et al.	361/826
2007/0096607	A1 *	5/2007	Ricchetti et al.	312/184
2008/0061665	A1 *	3/2008	Lautenschlager	312/333
2010/0243843	A1	9/2010	Tait et al.		

FOREIGN PATENT DOCUMENTS

WO 2010/110810 A1 9/2010

OTHER PUBLICATIONS

Manufacturer Data Sheet—Everbrighten BR15mm LED (Indoor/Outdoor) LED Display, Oct. 2011.

* cited by examiner

Primary Examiner — Kelley Donnelly

(74) *Attorney, Agent, or Firm* — McNees Wallace & Nurick LLC

(57) **CLAIM**

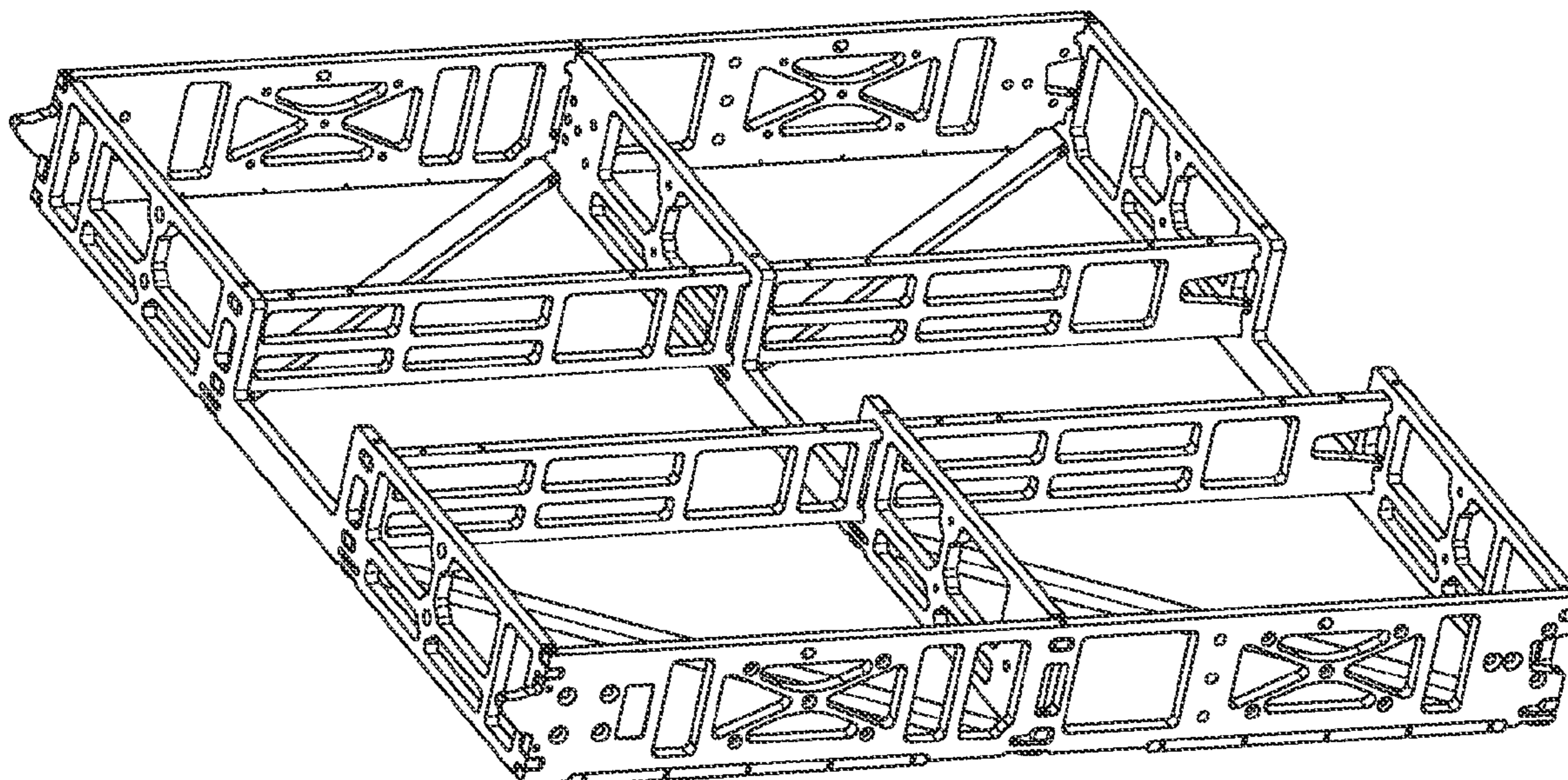
The ornamental design for display module frame, as shown and described.

DESCRIPTION

This application claims benefit under 35U.S.C. §120 of U.S. patent application Ser. No. 12/411,478, filed Mar. 26, 2009, entitled "Support Structure for Supporting Video Displays", which is hereby incorporated by reference in its entirety.

FIG. 1 is a front isometric view of the display module frame; FIG. 2 is a back isometric view thereof; FIG. 3 is a top view thereof; FIG. 4 is a bottom view thereof; FIG. 5 is a front view thereof; FIG. 6 is a back view thereof; FIG. 7 is a left side view thereof; and, FIG. 8 is a right side view thereof.

1 Claim, 8 Drawing Sheets



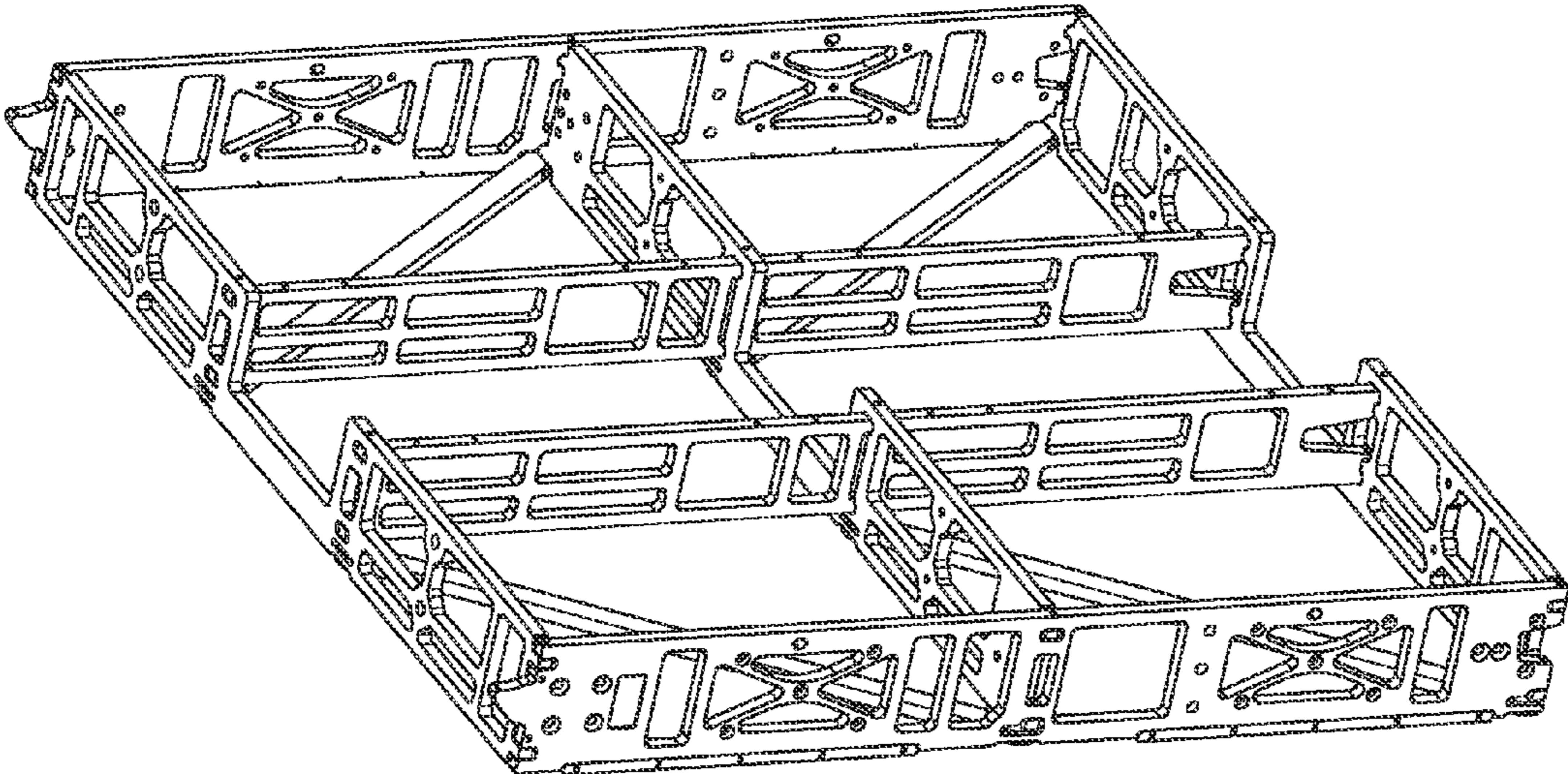


FIG. 1

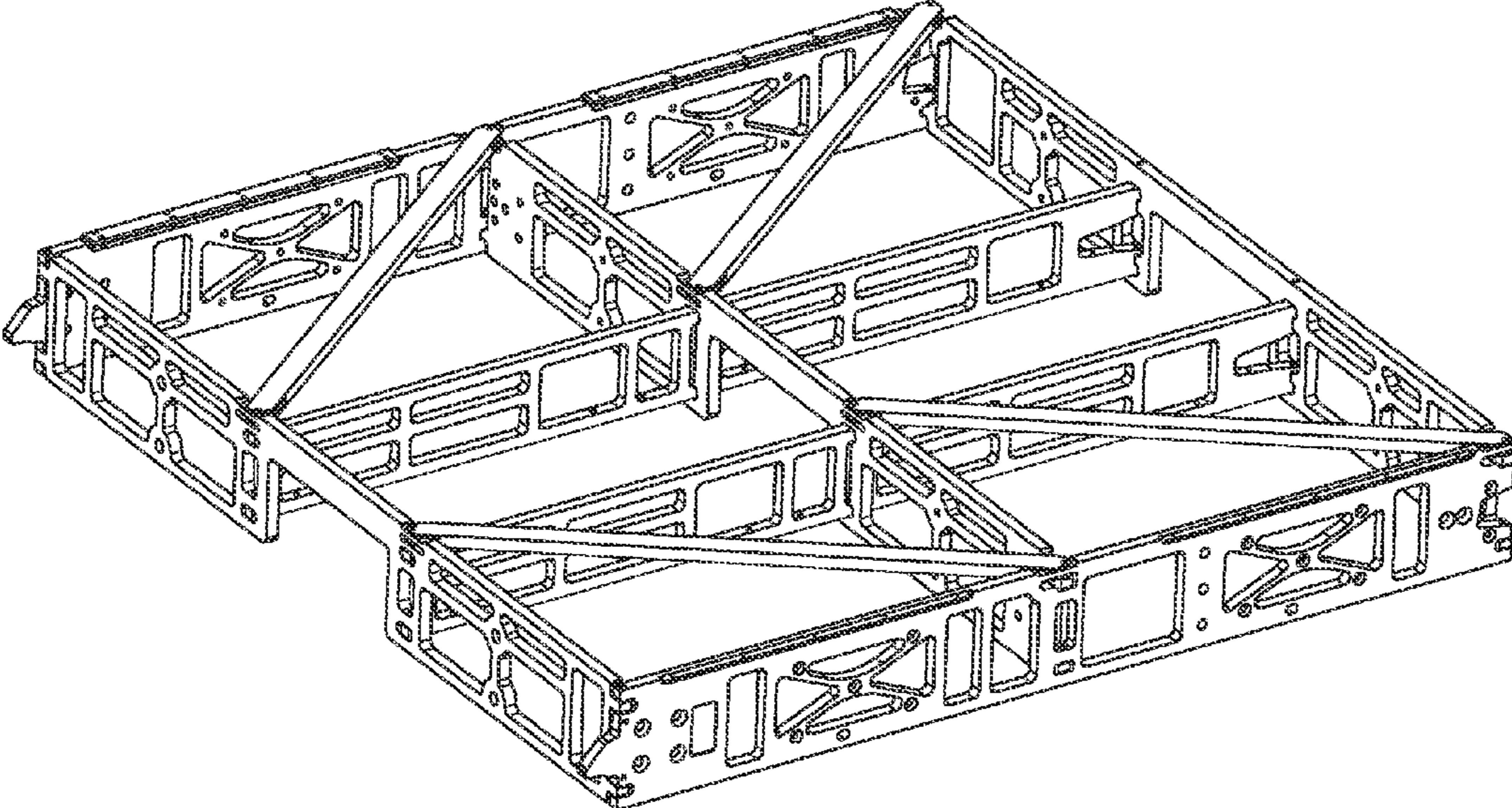


FIG. 2

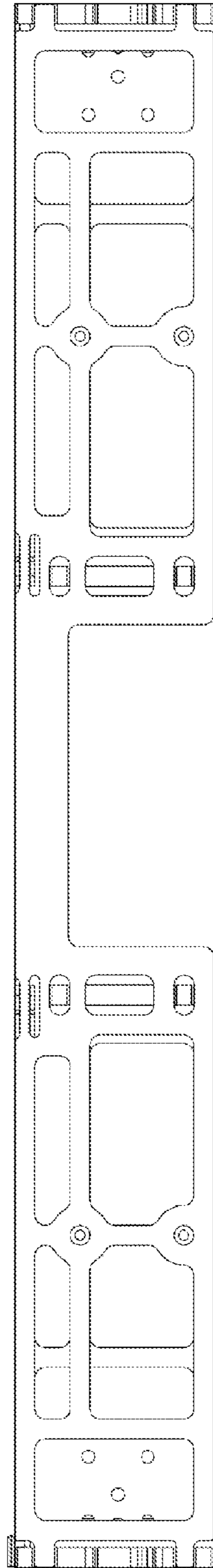


FIG. 3

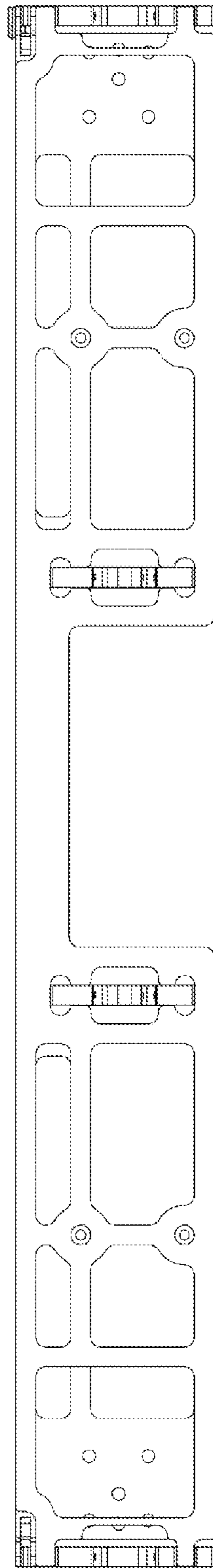


FIG. 4

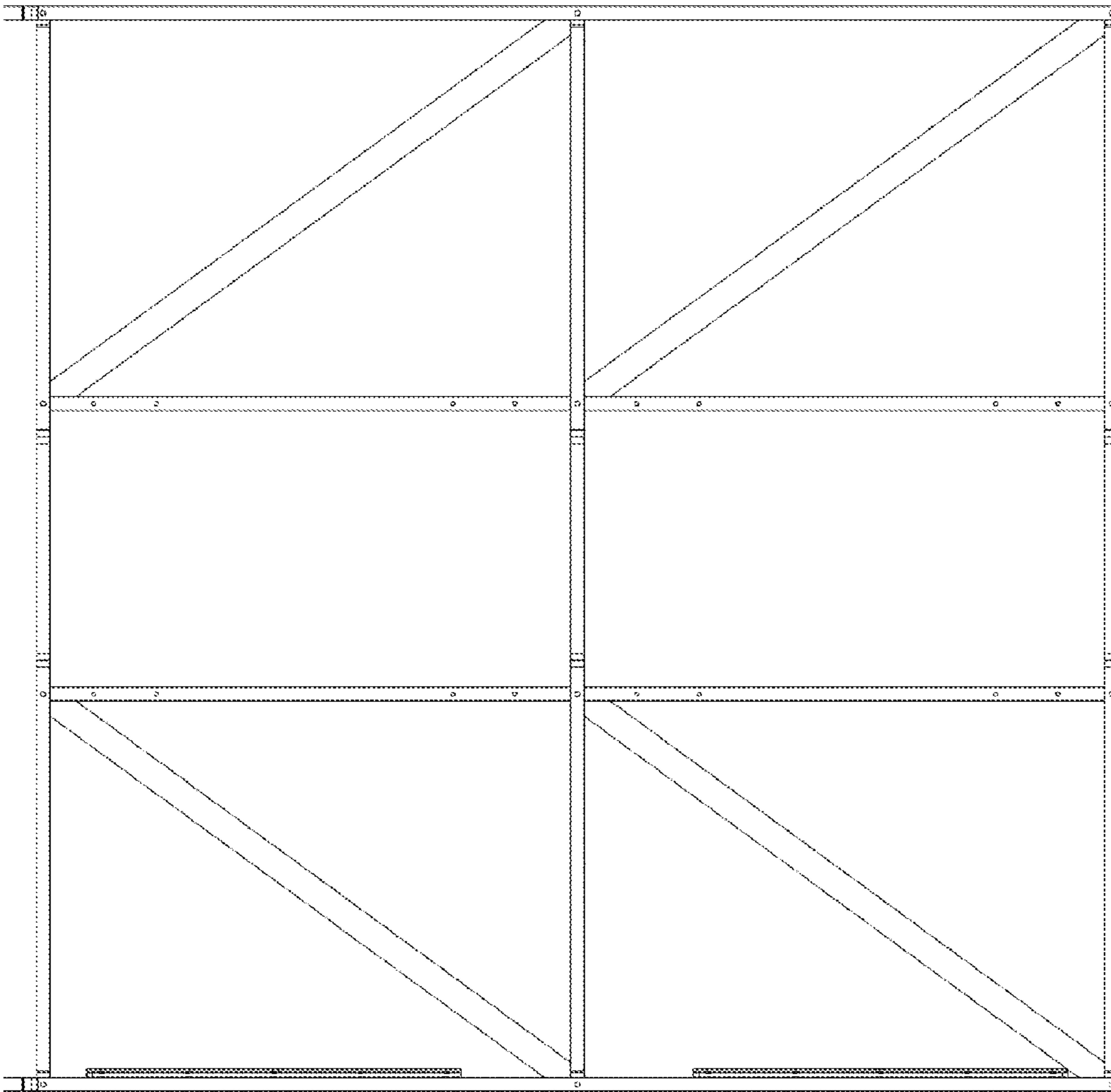


FIG. 5

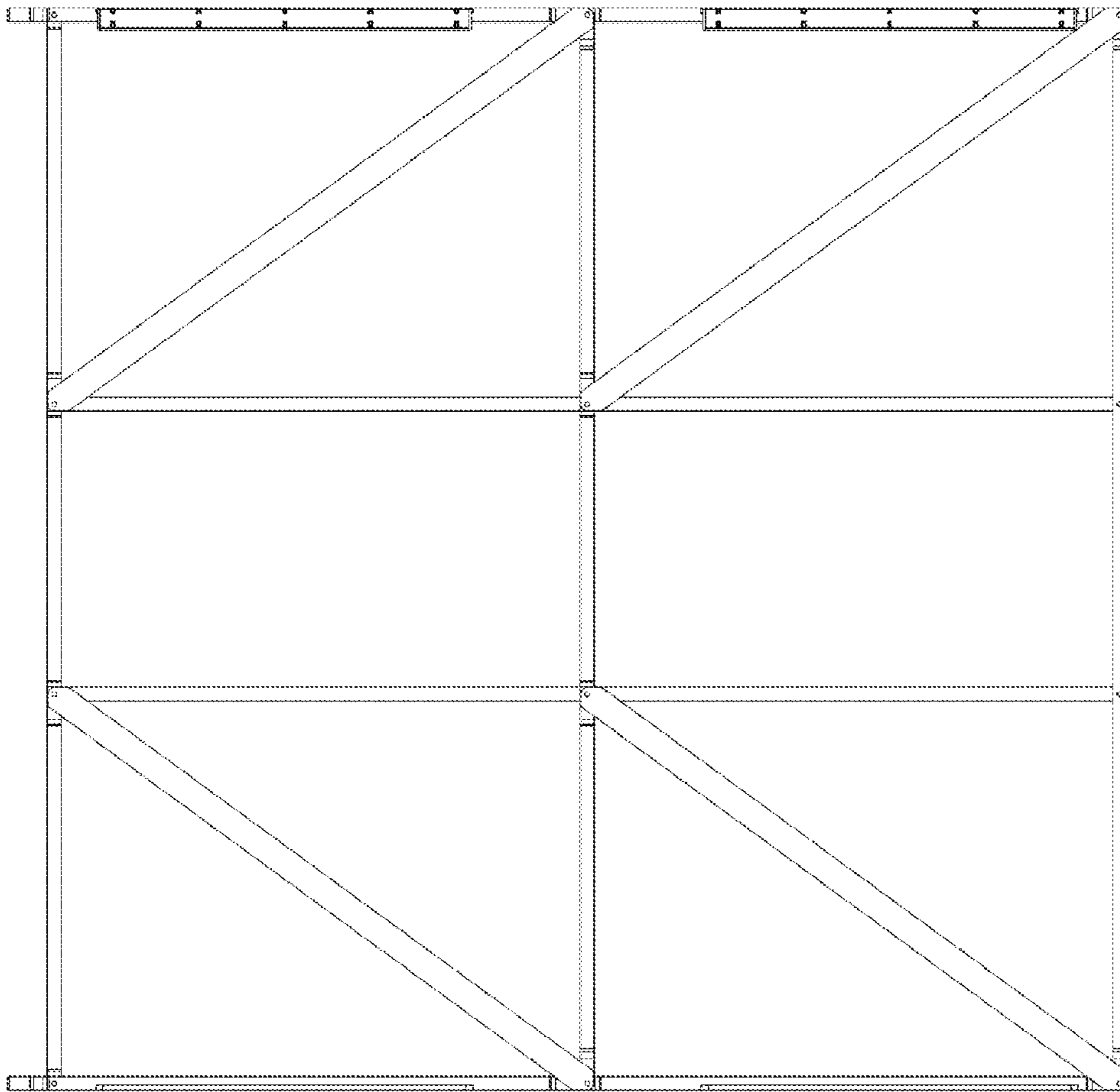


FIG. 6

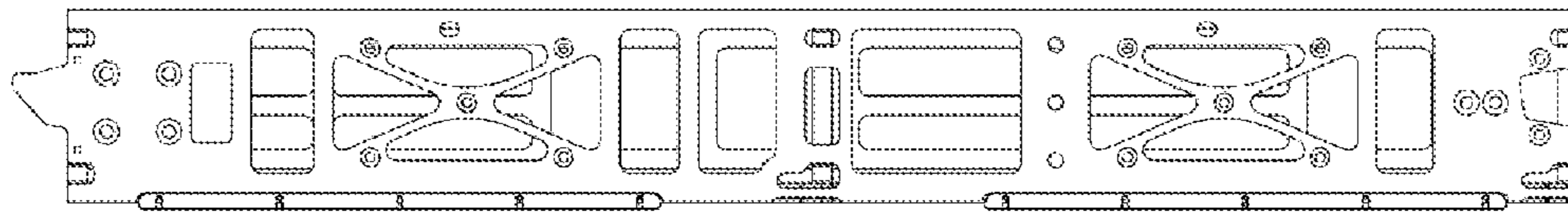


FIG. 7

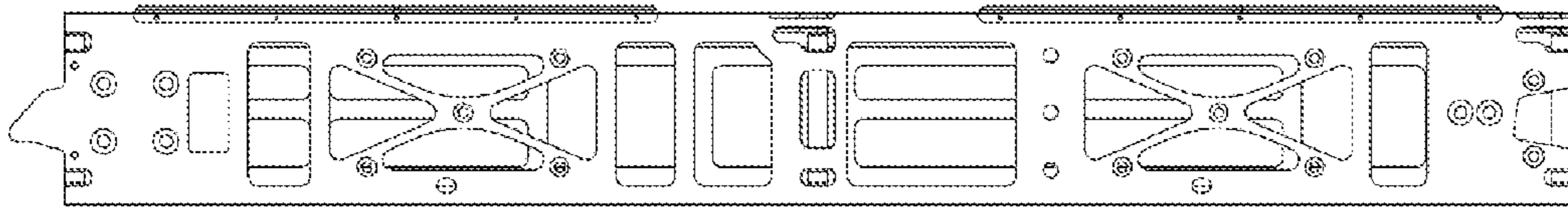


FIG. 8