



US00D672167S

(12) **United States Design Patent**
Dantus et al.

(10) **Patent No.:** **US D672,167 S**
(45) **Date of Patent:** **** Dec. 11, 2012**

(54) **MODULE FOR EXHIBITING PRODUCTS IN A POINT OF SALE**

D600,943 S * 9/2009 Austin et al. D6/449
D653,088 S * 1/2012 Hansen et al. D7/624.1
8,088,046 B2 * 1/2012 Flentye et al. 482/52

(75) Inventors: **Daniel Dantus**, Estado de Mexico (MX);
David Canseco, Estado de Mexico (MX); **Victor Finkelstein**, Estado de Mexico (MX)

* cited by examiner

Primary Examiner — Kelley Donnelly

(74) *Attorney, Agent, or Firm* — Fraser Clemens Martin & Miller LLC; J. Douglas Miller

(73) Assignee: **Dimension Espacio, S.A. de C.V.**,
Naucalpan, Estado de Mexico

(**) Term: **14 Years**

(57) **CLAIM**

The ornamental design for a module for exhibiting products in a point of sale, as shown and described.

(21) Appl. No.: **29/408,675**

DESCRIPTION

(22) Filed: **Dec. 15, 2011**

(51) **LOC (9) Cl.** **06-06**

(52) **U.S. Cl.** **D6/475**

(58) **Field of Classification Search** D6/396–397,
D6/468, 470–472, 473–475, 477; 211/85.1,
211/85.2, 85.9, 49.1, 71.01, 84, 86.01, 85.17
See application file for complete search history.

FIG. 1 is a perspective view of a module for exhibiting products in a point of sale according to our new design showing a lower extrusion of the module;

FIG. 2 is a front view thereof showing the module in a slightly tilted position;

FIG. 3 is a cross-sectional view cut along lines 3-3 in FIG. 2;

FIG. 4 is an exploded perspective view of the module for exhibiting products in a point of sale, wherein the structure includes a cap and an interchangeable module; and,

FIG. 5 is a perspective view of the module for exhibiting products in a point of sale according to our new design showing an upper extrusion of the module.

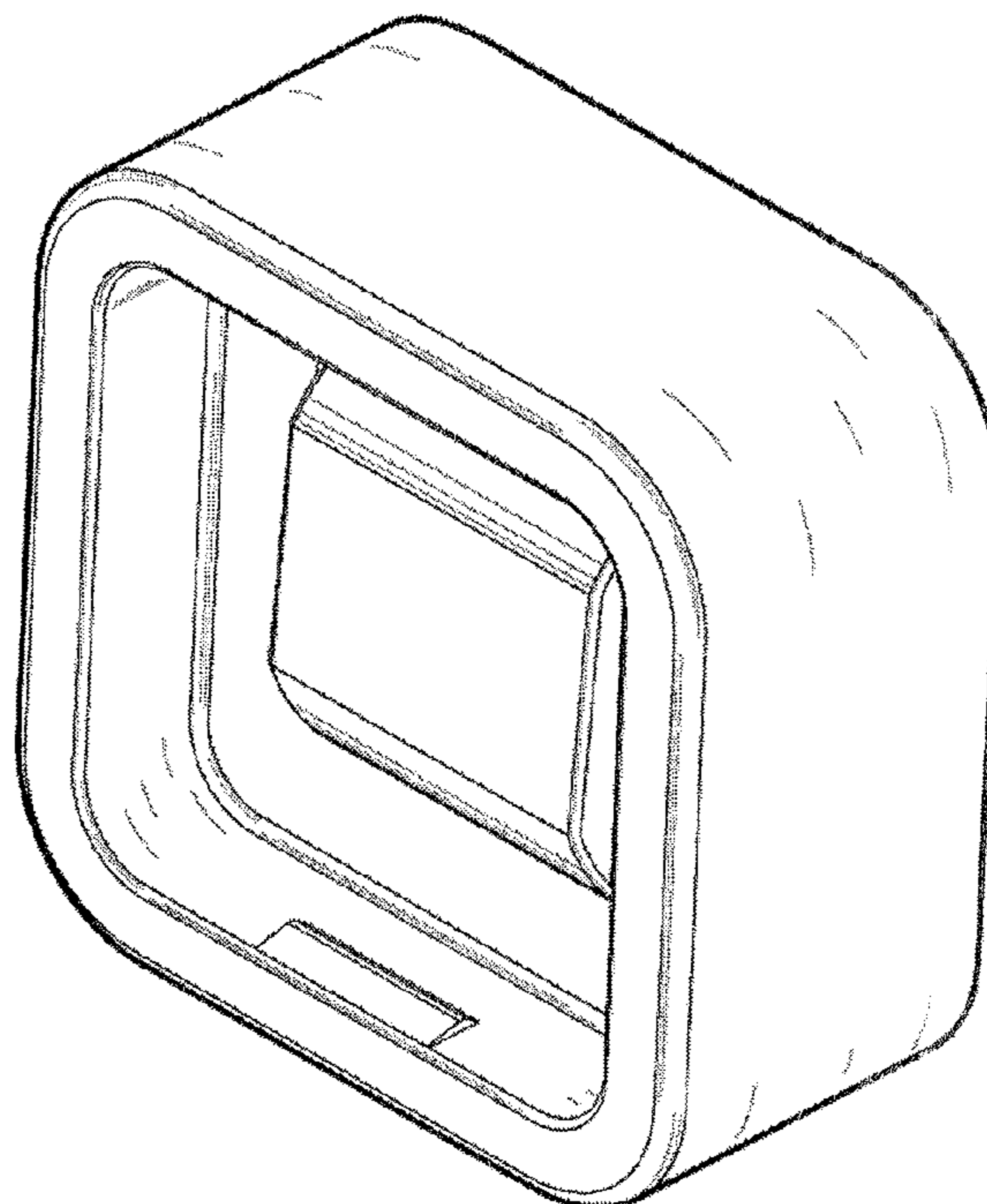
The broken lines shown in FIG. 4 are included for the purpose of illustrating the environment of the article and form no part of the claimed design.

(56) **References Cited**

U.S. PATENT DOCUMENTS

5,408,771 A * 4/1995 Manrubia 40/714
D455,979 S * 4/2002 Salenger D11/155
D496,760 S * 9/2004 Restrepo D28/83
D538,041 S * 3/2007 Reitze D3/314
D556,227 S * 11/2007 Au D15/199
D566,427 S * 4/2008 McConnell et al. D6/475
D592,889 S * 5/2009 Carter et al. D6/470

1 Claim, 5 Drawing Sheets



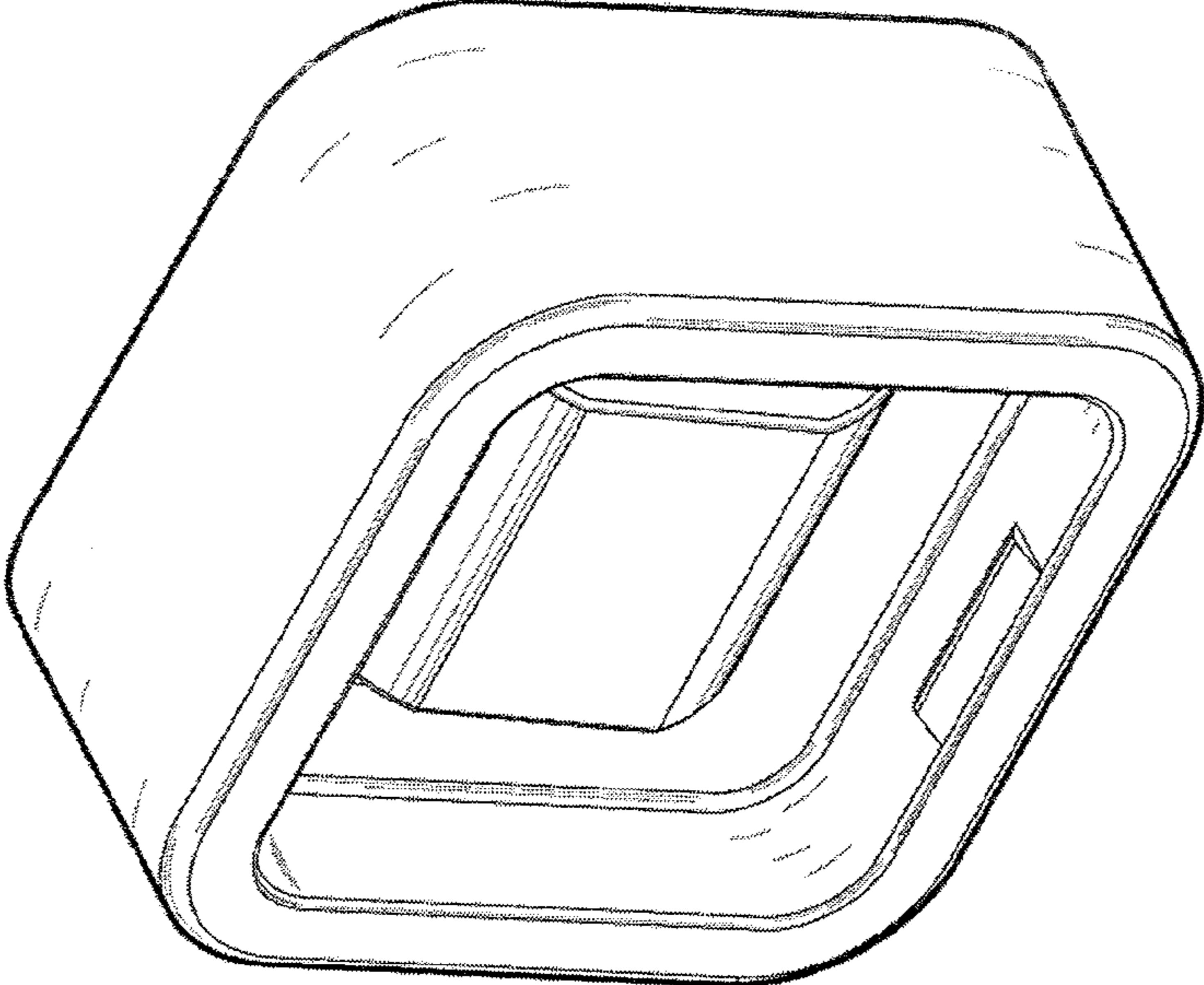


FIG. 1

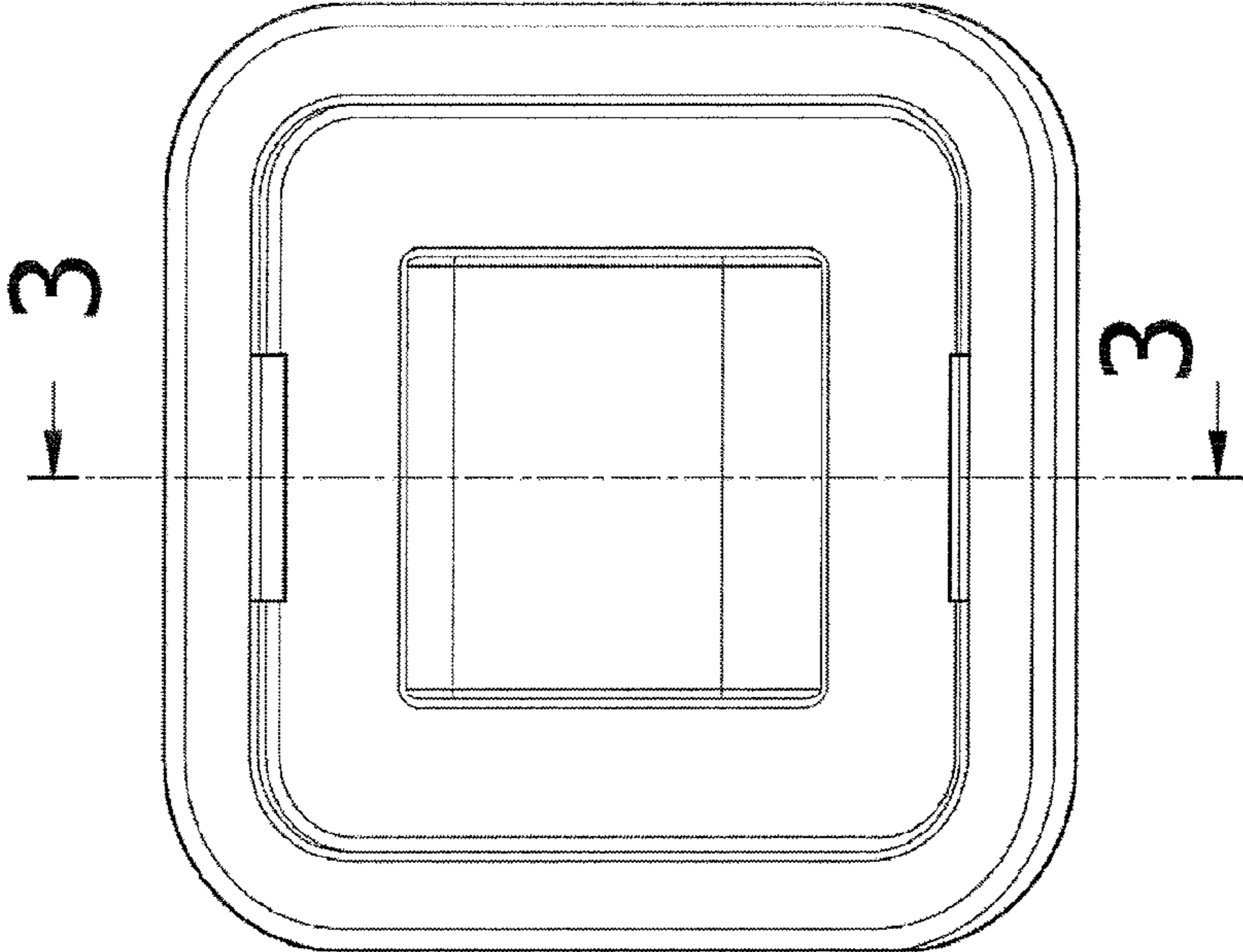


FIG. 2

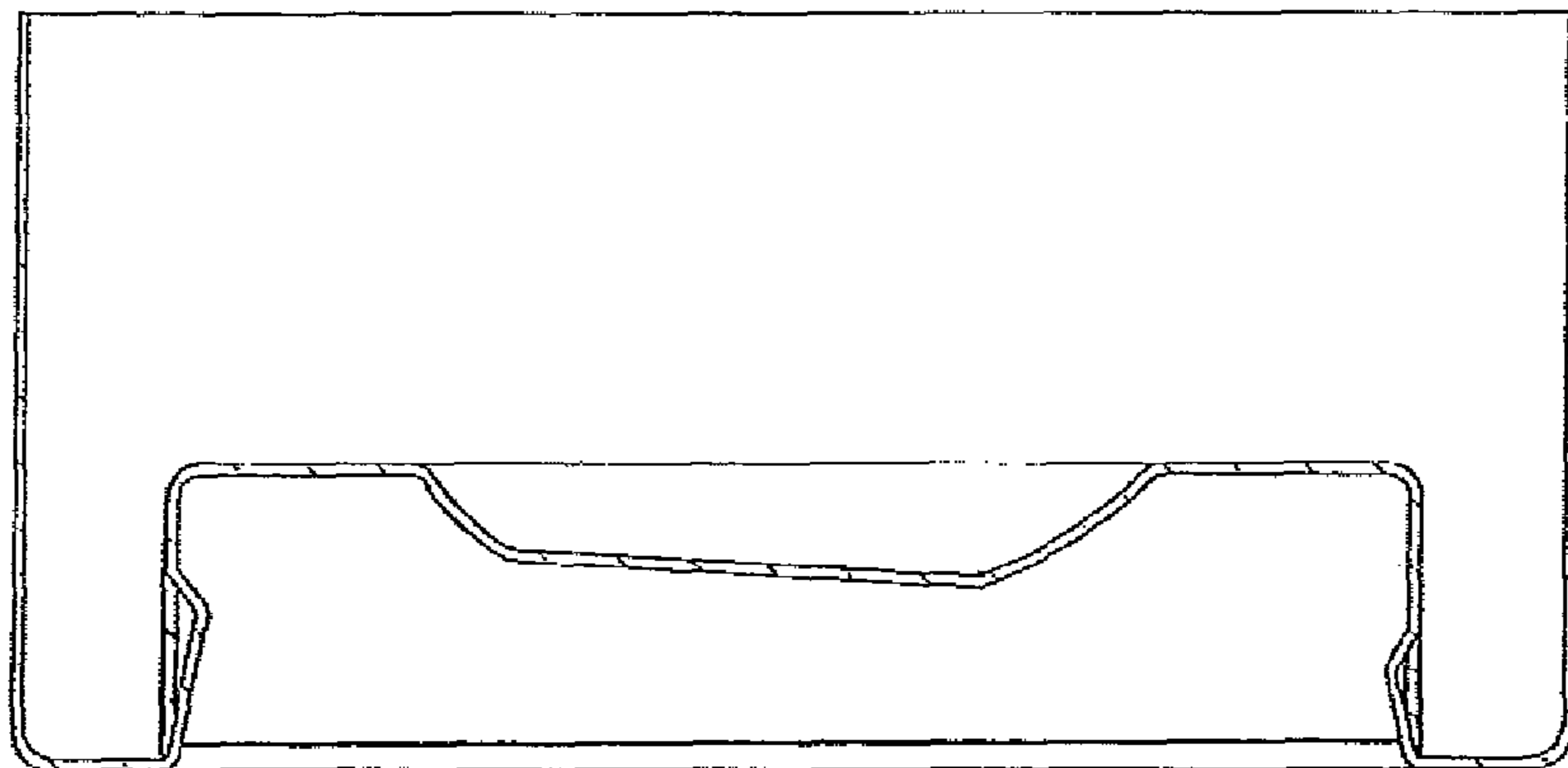


FIG. 3

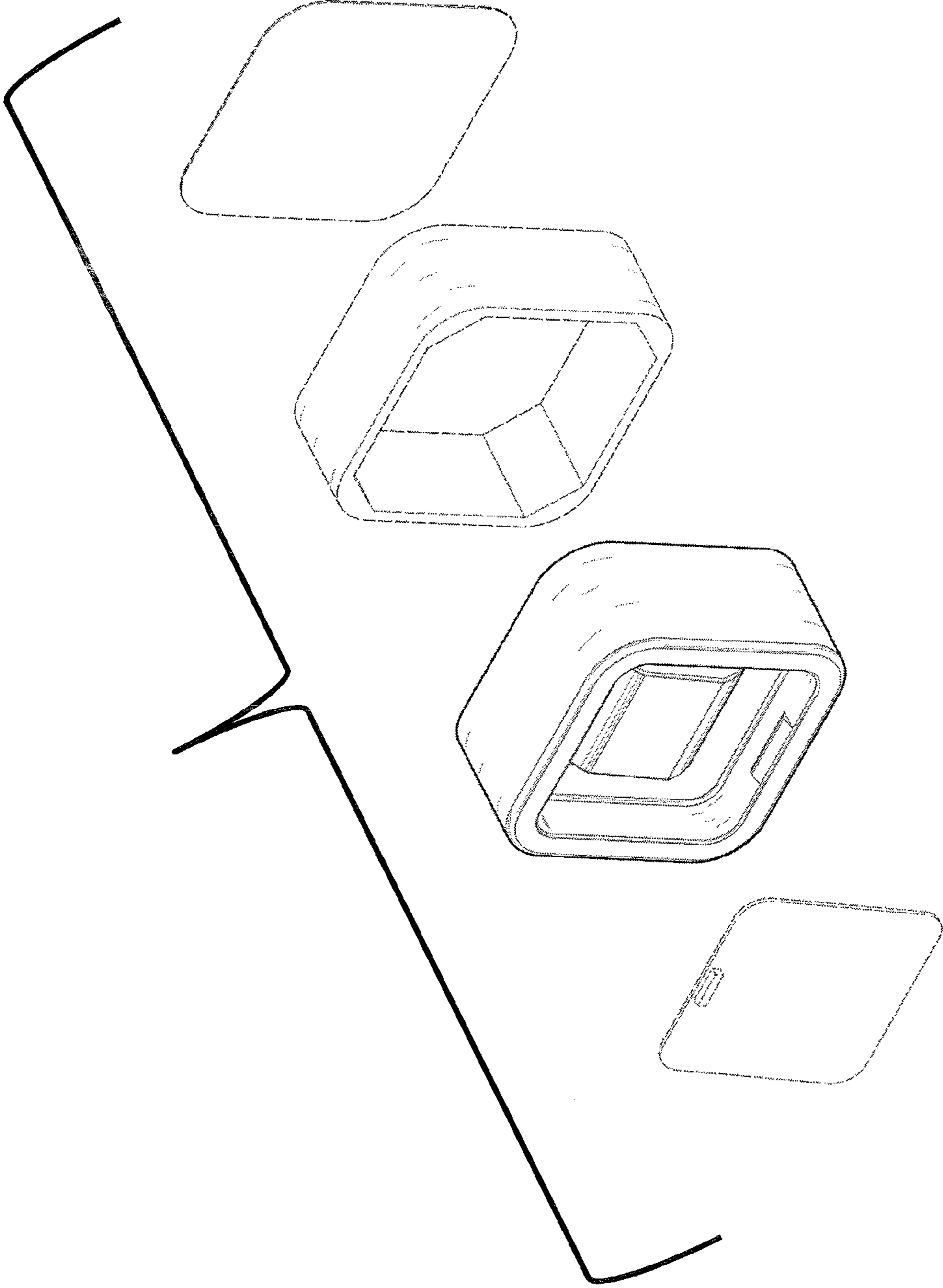


FIG. 4

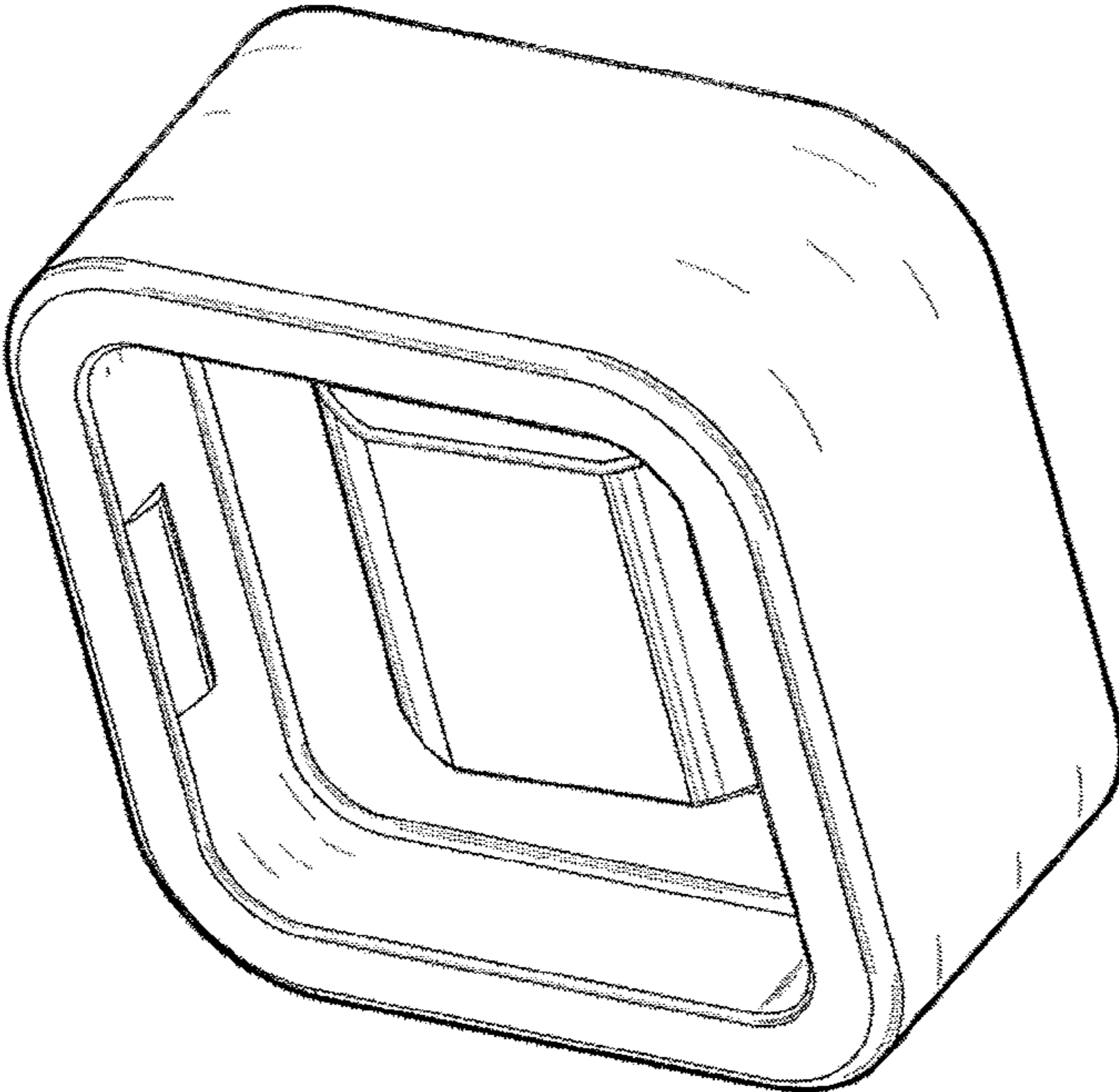


FIG. 5