



US00D672164S

(12) **United States Design Patent**
Christopher

(10) **Patent No.:** **US D672,164 S**
(45) **Date of Patent:** **** Dec. 11, 2012**

(54) **STORAGE CHEST**

(75) Inventor: **Brent Christopher**, Centennial, CO
(US)

(73) Assignee: **Meridian International Co., Ltd.** (CN)

(**) Term: **14 Years**

(21) Appl. No.: **29/425,902**

(22) Filed: **Jun. 28, 2012**

Related U.S. Application Data

(62) Division of application No. 29/379,972, filed on Nov. 29, 2000, now Pat. No. Des. 664,790.

(51) **LOC (9) Cl.** **06-04**

(52) **U.S. Cl.** **D6/440**

(58) **Field of Classification Search** D3/273,
D3/284, 318; D6/400, 420-439, 443-448,
D6/460-468, 474-479, 492-495, 510-511,
D6/553, 559-561; 118/221; 206/373; 280/79.3,
280/47.35, 79.11; 312/10, 204, 229, 242-245,
312/249.8-249.9, 250, 282, 332.1, 350
See application file for complete search history.

(56) **References Cited**

U.S. PATENT DOCUMENTS

D28,243 S * 2/1898 Holley D6/443
1,987,822 A * 1/1935 Gregory 312/198
D94,709 S * 2/1935 Piffath D6/443

3,025,829 A * 3/1962 Smith 118/221
D251,040 S * 2/1979 Pawlak D6/434
4,266,835 A * 5/1981 Schmidt 312/244
4,389,077 A * 6/1983 Schmidt 312/244
4,614,384 A * 9/1986 Takano et al. 312/281
5,456,358 A * 10/1995 Schmidt 206/373
D474,600 S * 5/2003 Lewis D3/284
D633,719 S * 3/2011 Koehn D3/318
D642,404 S * 8/2011 Koehn D6/443
D647,297 S * 10/2011 Chen D3/273

* cited by examiner

Primary Examiner — Ricky Pham

(74) *Attorney, Agent, or Firm* — Jason R. Sytsma;
Shuttleworth & Ingersoll, PLC

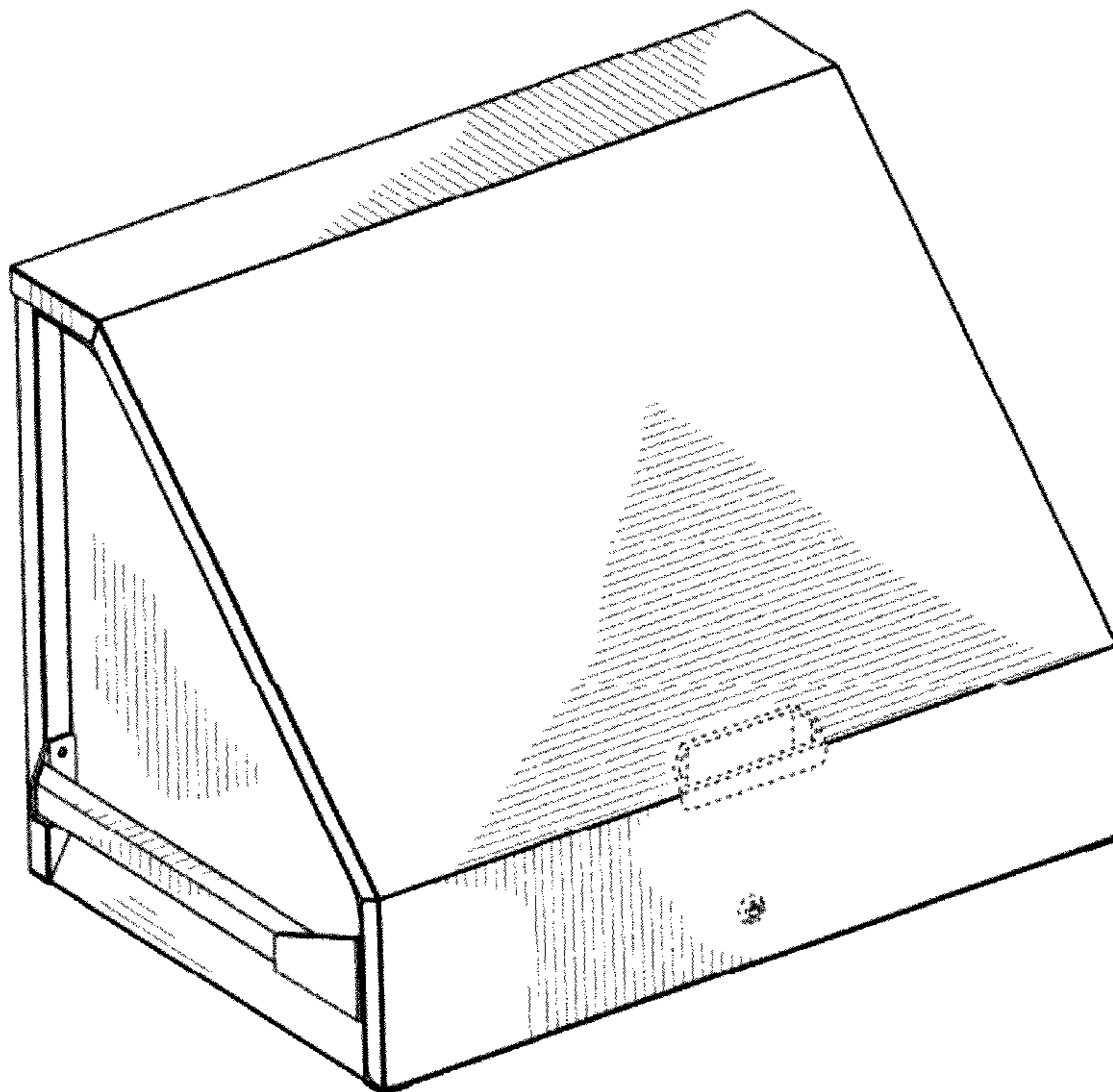
(57) **CLAIM**

The ornamental design for a storage chest, as shown and described.

DESCRIPTION

FIG. 1 is a perspective view of a storage chest showing my new design;
FIG. 2 is a front elevational view thereof;
FIG. 3 is a rear elevational view thereof;
FIG. 4 is a top plan view thereof;
FIG. 5 is a bottom plan view thereof;
FIG. 6 is a right side elevational view thereof; and,
FIG. 7 is a left side elevational view thereof.
The broken lines shown in the drawings are for illustrative purposes only and form no part of the claimed design.

1 Claim, 7 Drawing Sheets



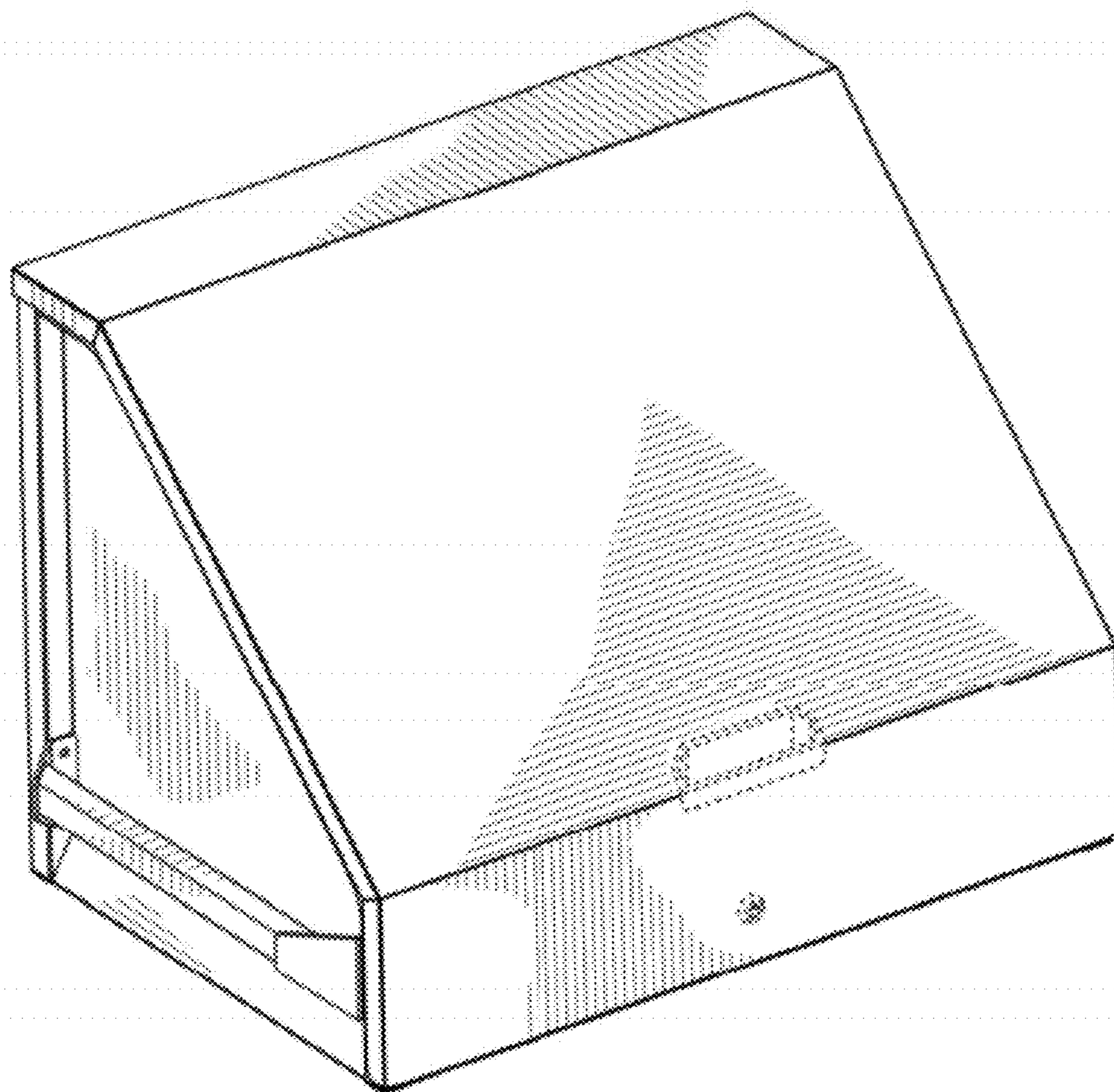


FIG. 1

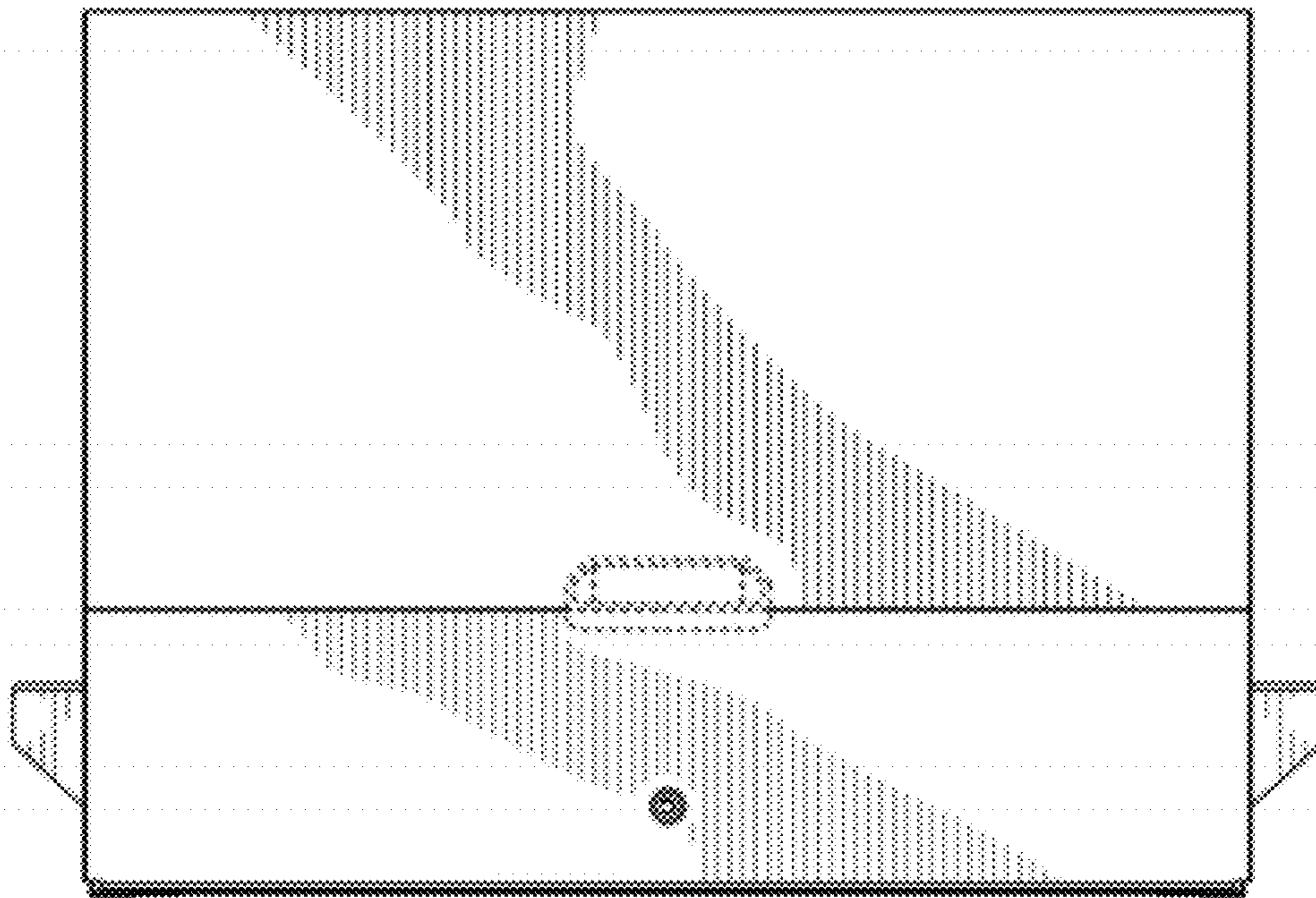


FIG. 2

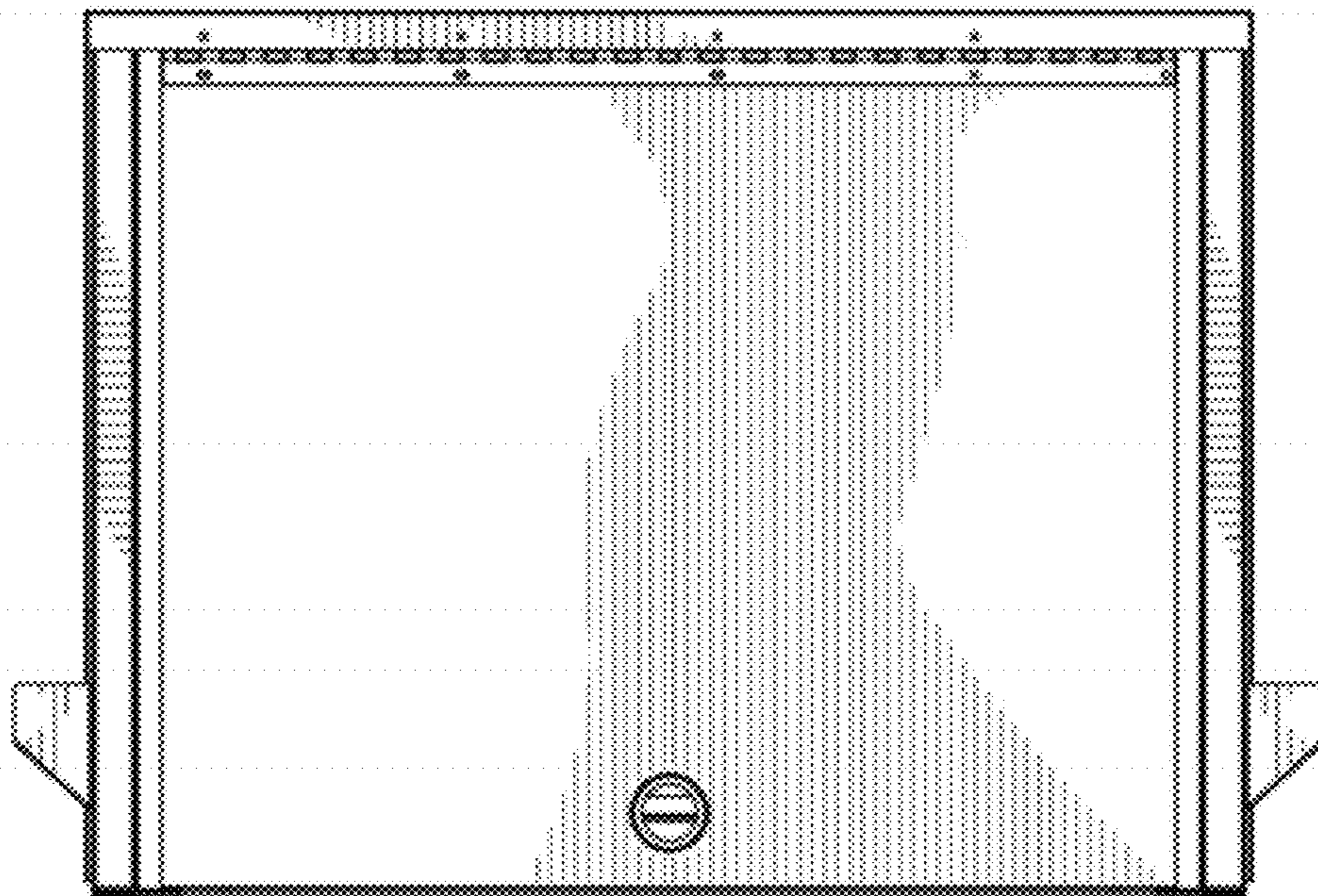


FIG. 3

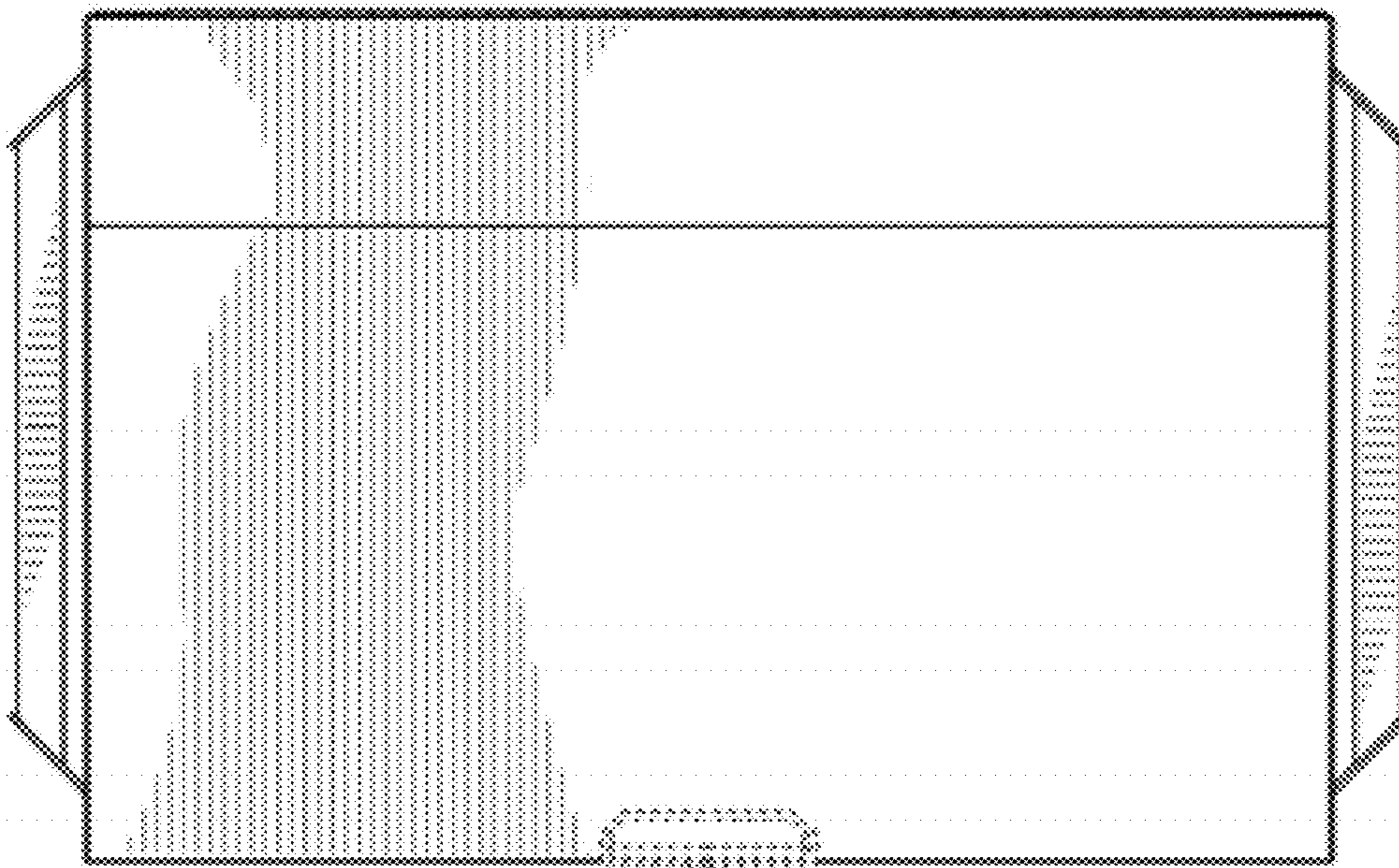


FIG. 4

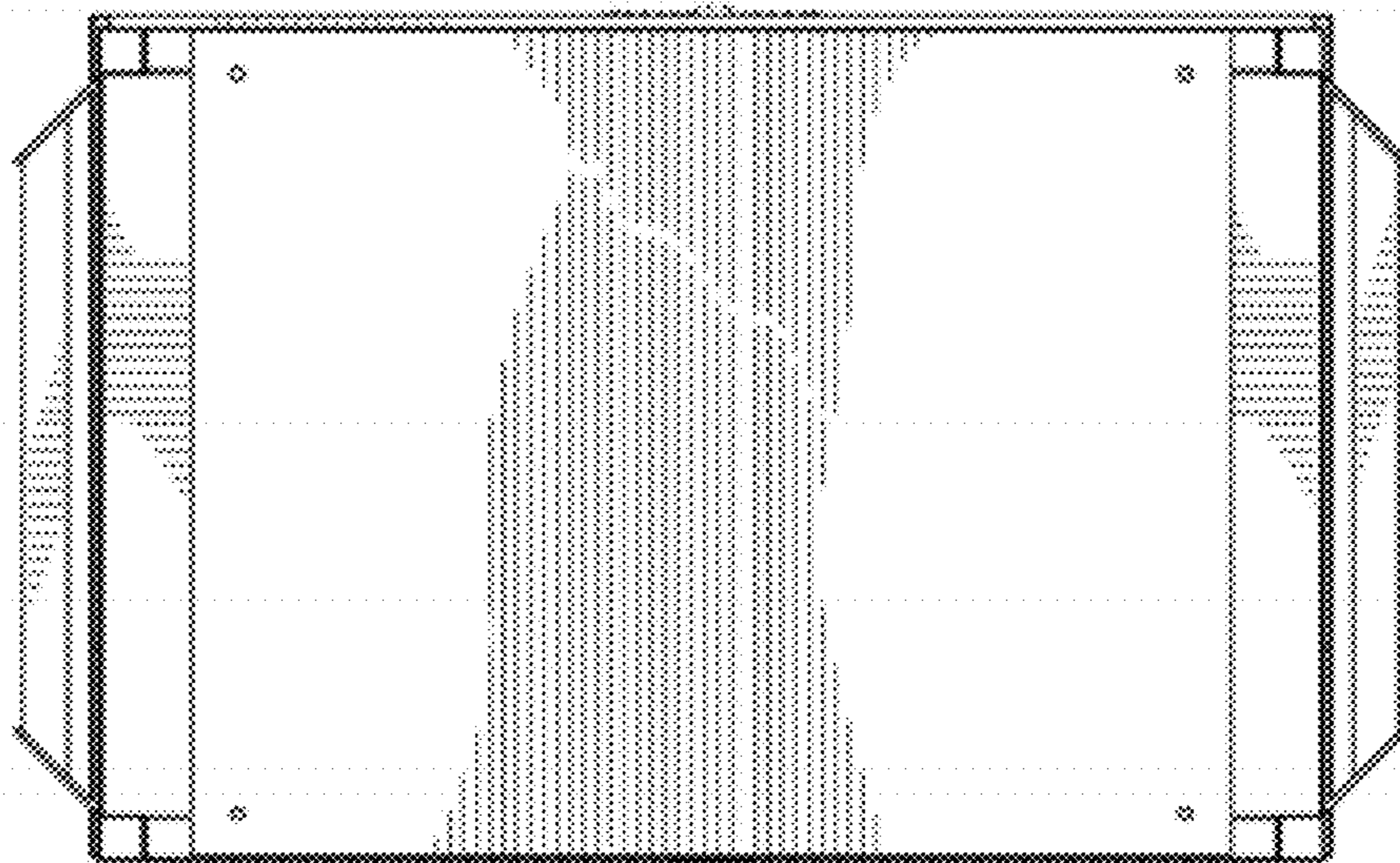


FIG. 5

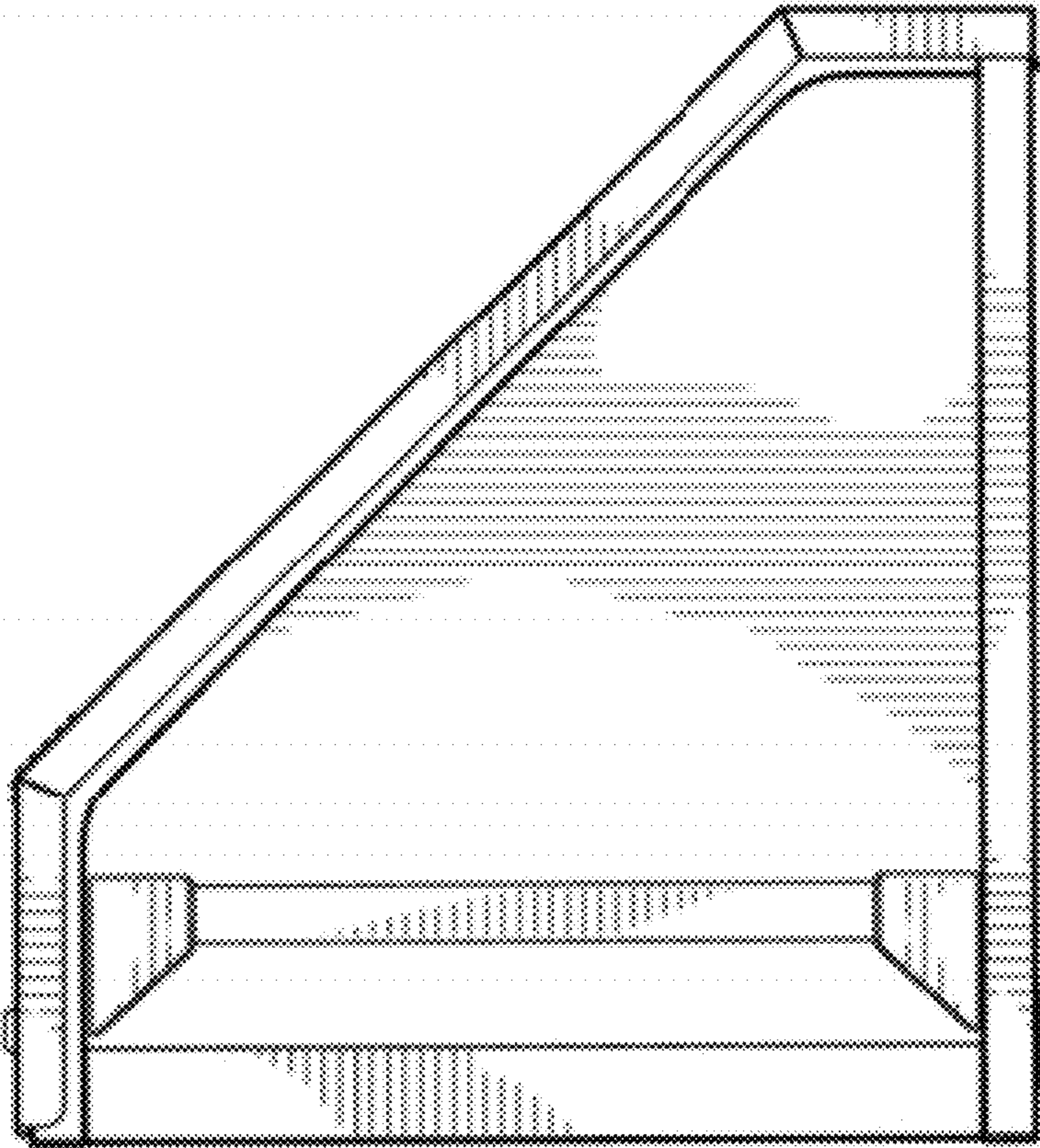


FIG. 6

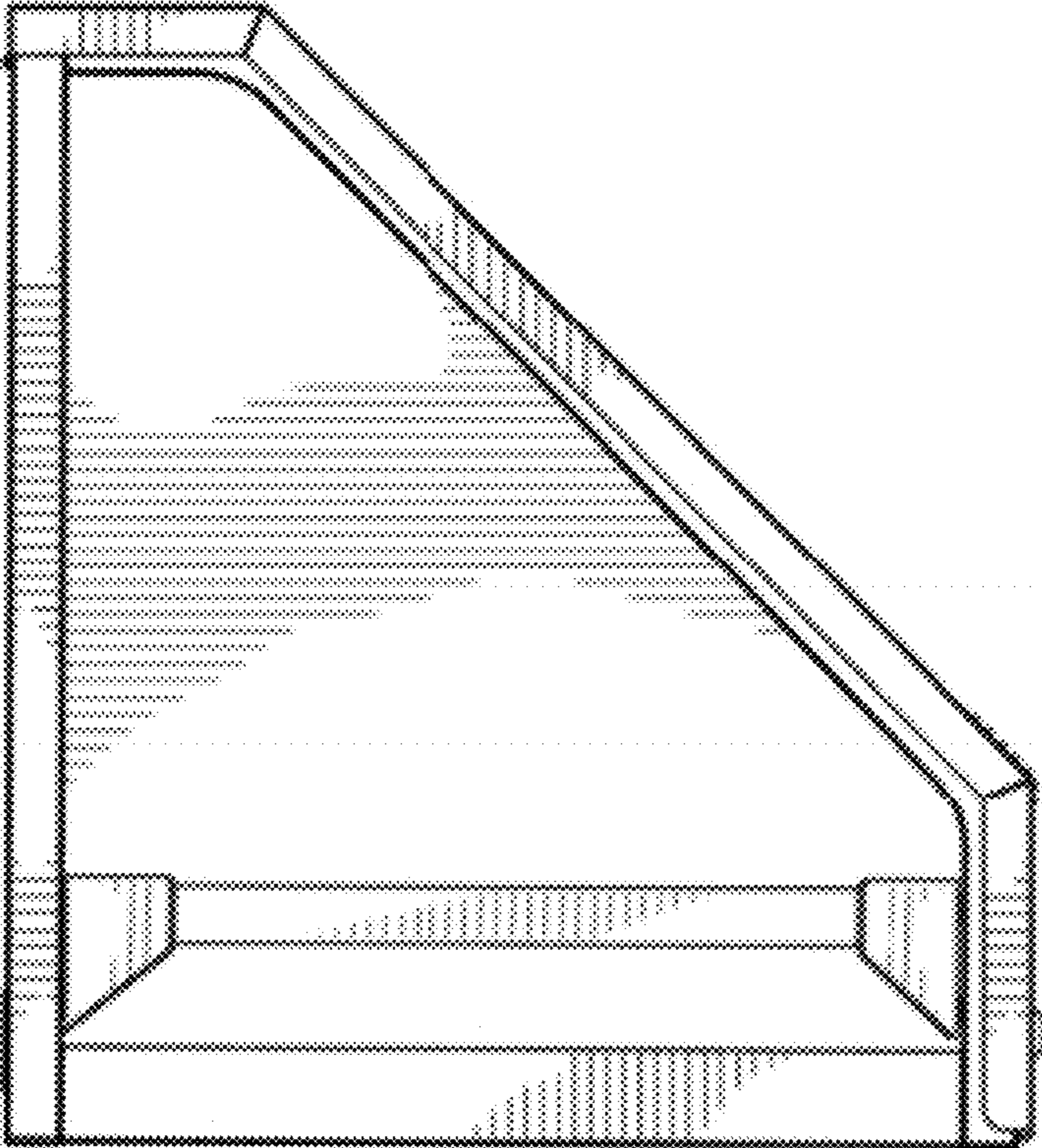


FIG. 7