



US00D672161S

(12) **United States Design Patent**  
**McDowell**

(10) **Patent No.:** **US D672,161 S**  
(45) **Date of Patent:** **\*\* Dec. 11, 2012**

(54) **CHAIR**

(76) Inventor: **Janet McDowell**, Selah, WA (US)

(\*\*) Term: **14 Years**

(21) Appl. No.: **29/404,110**

(22) Filed: **Oct. 15, 2011**

(51) **LOC (9) Cl.** ..... **06-01**

(52) **U.S. Cl.** ..... **D6/368**

(58) **Field of Classification Search** ..... D6/334–336,  
D6/361, 368, 370, 374, 375, 379, 380, 500–502;  
297/16.1, 27, 31, 35, 39, 40, 45, 59, 394,  
297/440.11, 440.24, 452.13

See application file for complete search history.

(56) **References Cited**

**U.S. PATENT DOCUMENTS**

D225,146	S	*	11/1972	Kettler	.....	D6/368
D338,580	S	*	8/1993	Evans	.....	D6/502
5,570,926	A	*	11/1996	Papiernik et al.	.....	297/27
D580,672	S	*	11/2008	Le Gal et al.	.....	D6/368
D633,311	S	*	3/2011	Peguero	.....	D6/368
D639,577	S	*	6/2011	Tseng	.....	D6/368
D651,010	S	*	12/2011	Cohen	.....	D6/368
2006/0170255	A1	*	8/2006	Huang	.....	297/39

\* cited by examiner

*Primary Examiner* — Mimosa De

(57) **CLAIM**

The ornamental design for a chair, as shown and described.

**DESCRIPTION**

FIG. 1 is a left side perspective view of the present invention with the foot portion retracted; and

FIG. 2 is a left side perspective view of present invention in a planar position with the foot portion deployed in a planar manner; and

FIG. 3 is left side perspective view of the present invention with the foot portion deployed in an angular position; and

FIG. 4 is a right side view of the present invention with the foot portion deployed in an angular position; and

FIG. 5 is a left side view of the present invention with the foot portion deployed in an angular position; and

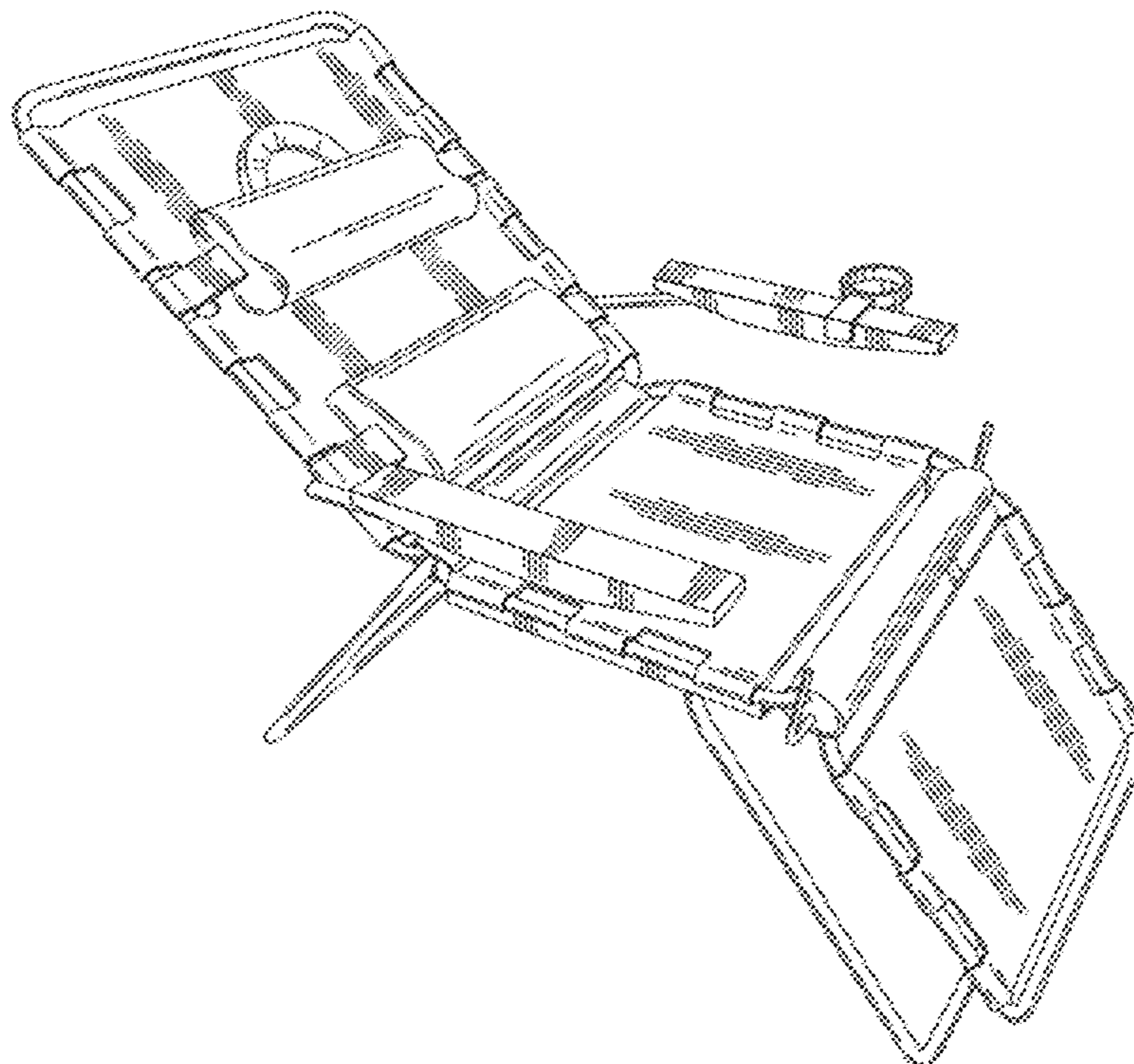
FIG. 6 is a front view of the present invention with the foot portion deployed in an angular manner position, and the arm-rests also in a fold position; and

FIG. 7 is a top view of the present invention with the foot portion positioned deployed in an angular position; and,

FIG. 8 is a bottom view of the present invention with the foot portion deployed in an angular position.

The broken lines showing of parts of the drawings is included for the purpose of illustrating use and environment and forms no part of the claimed design.

**1 Claim, 6 Drawing Sheets**



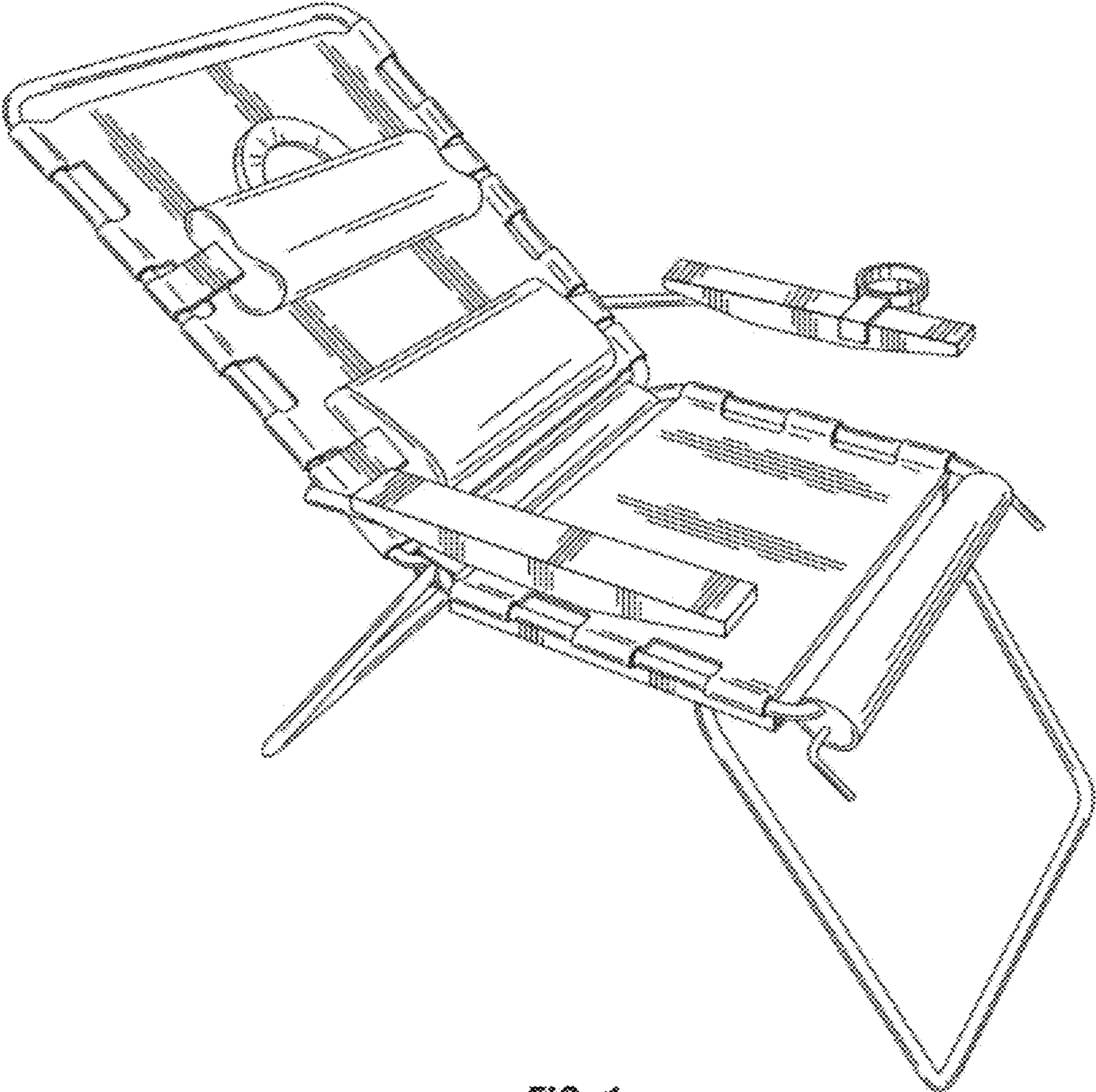
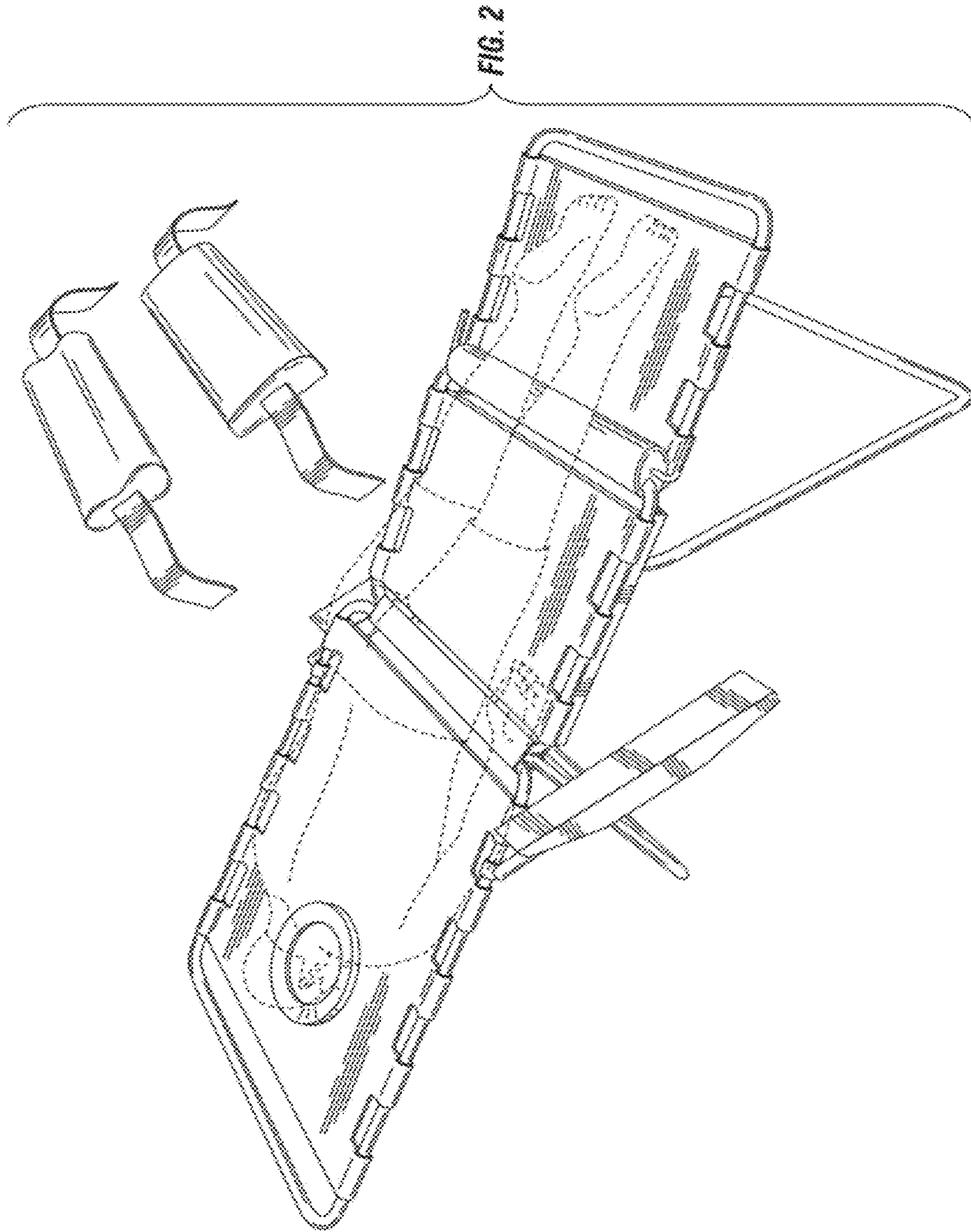


FIG. 1





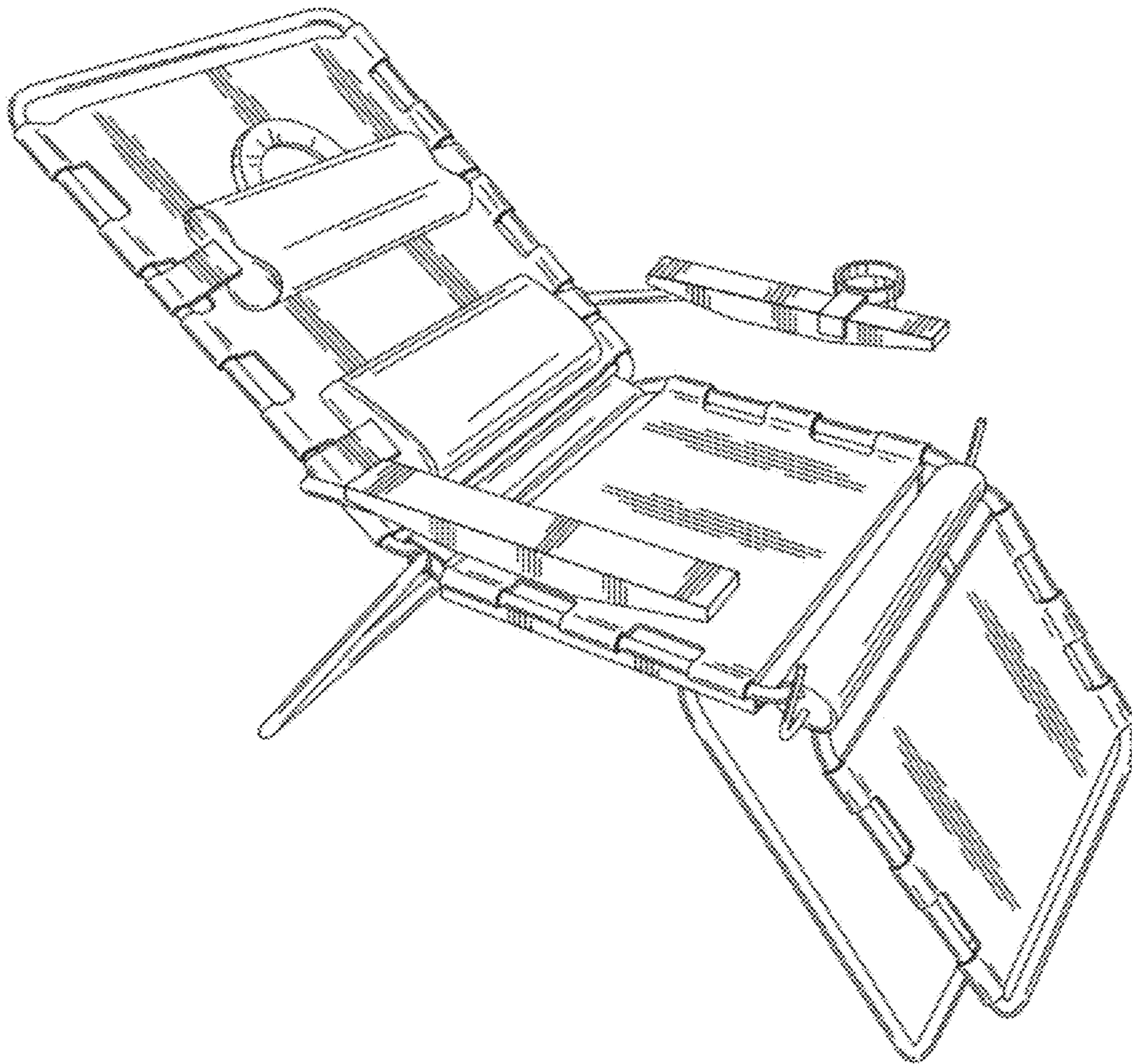


FIG. 3

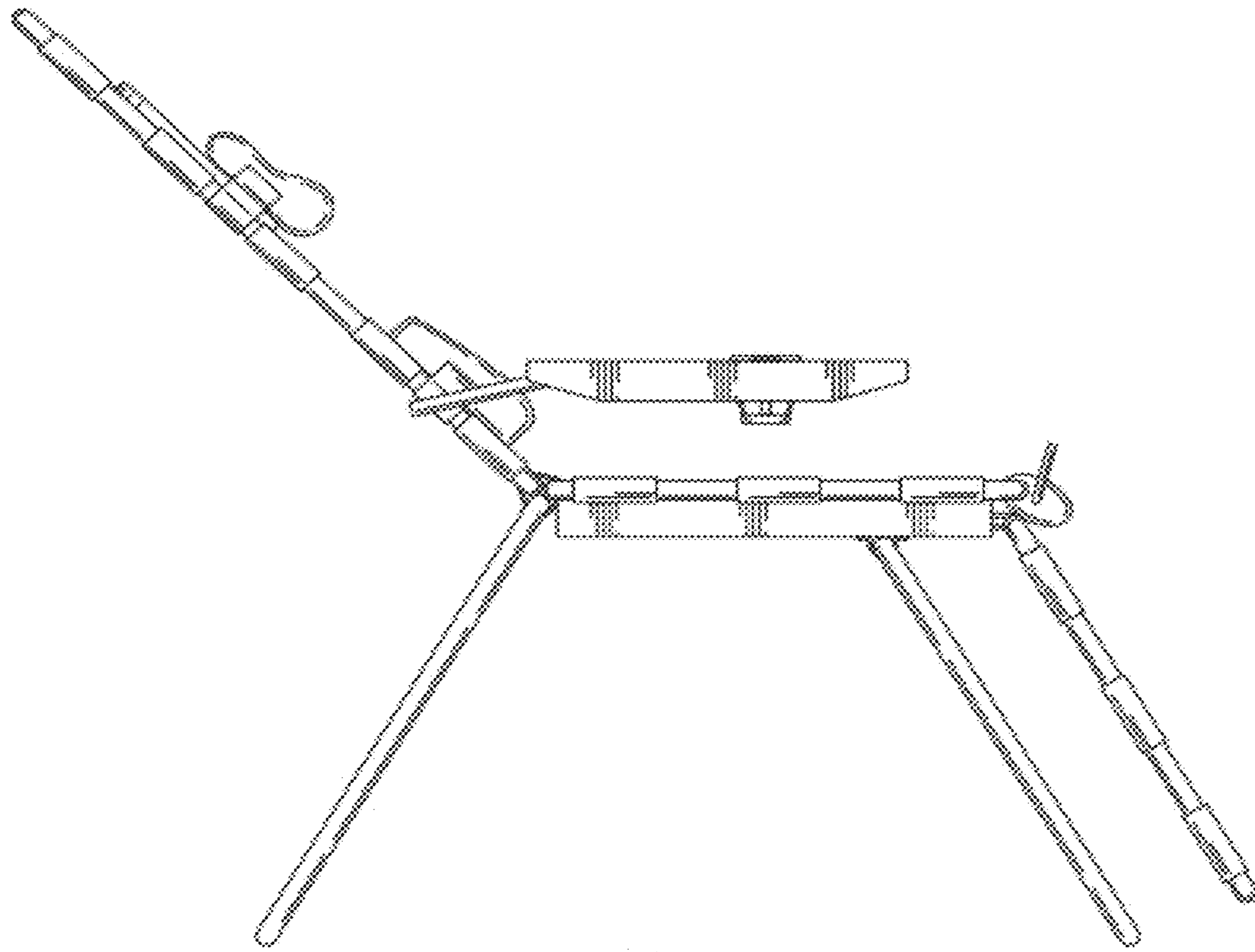


FIG. 4

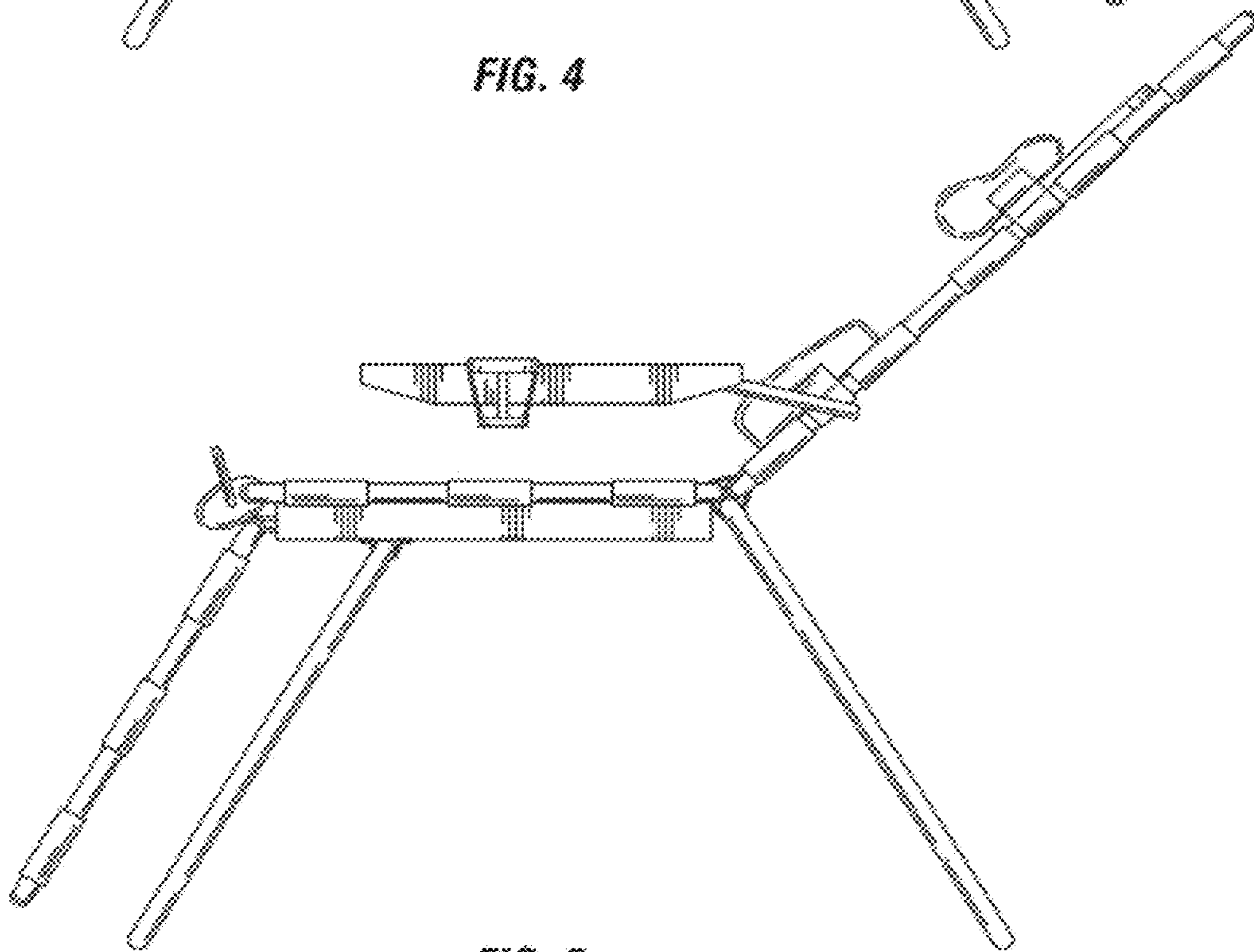
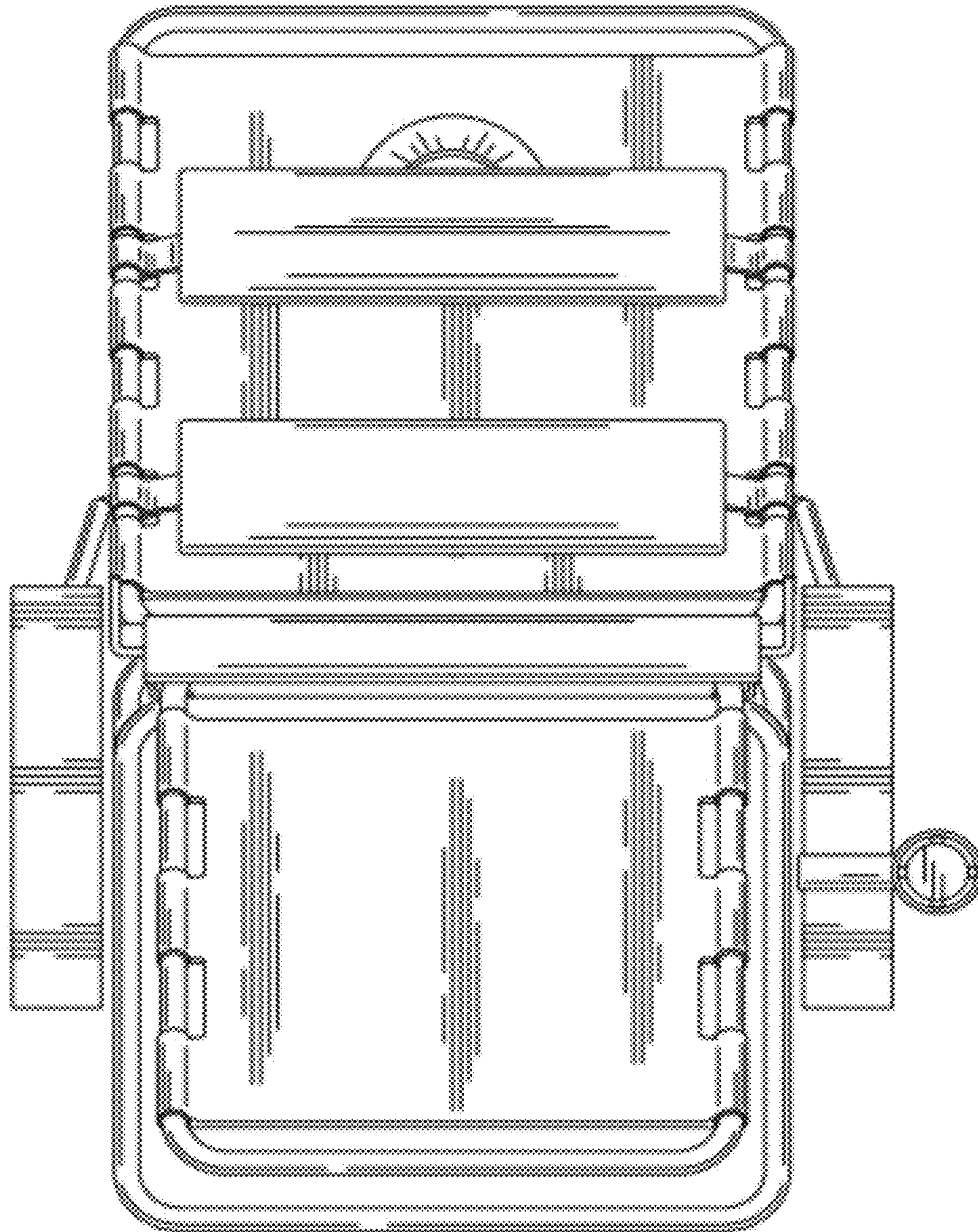


FIG. 5





**FIG. 6**

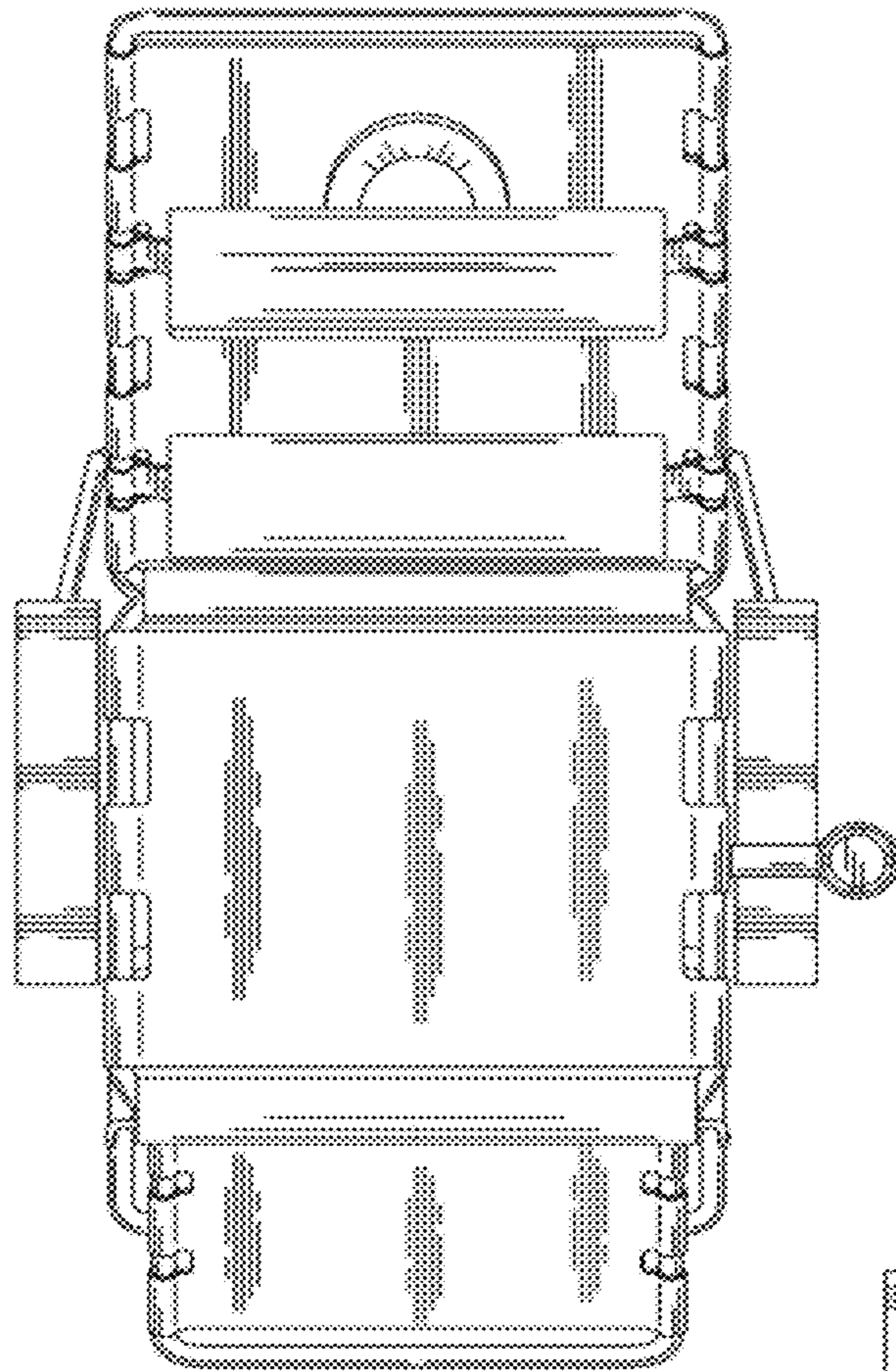


FIG. 7

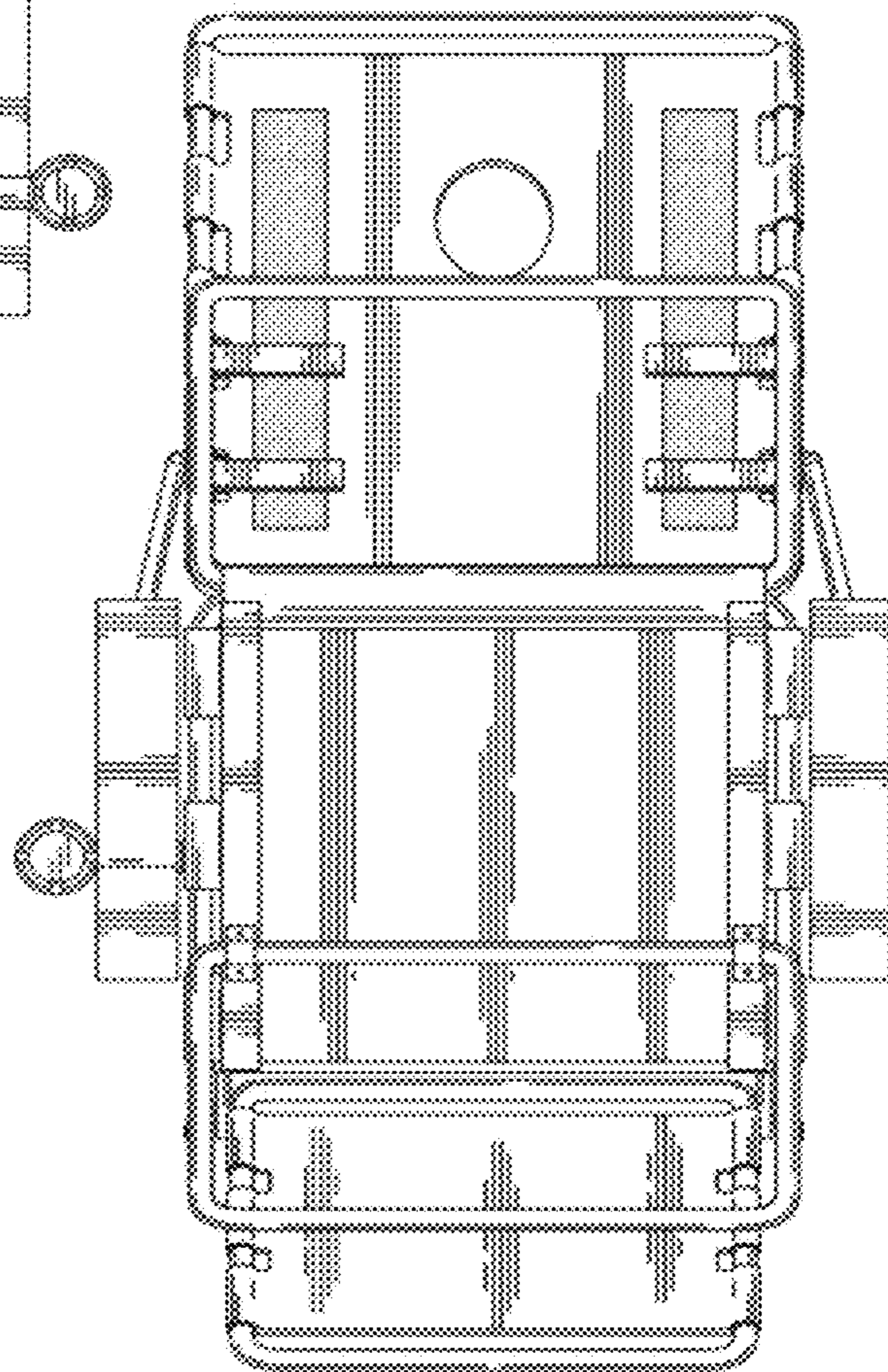


FIG. 8