



US00D672159S

(12) **United States Design Patent**  
**Lee**

(10) **Patent No.:** **US D672,159 S**

(45) **Date of Patent:** **\*\* Dec. 11, 2012**

(54) **TIE HANGER**

(76) Inventor: **In Y. Lee**, Flushing, NY (US)

(\*\*) Term: **14 Years**

(21) Appl. No.: **29/416,426**

(22) Filed: **Mar. 22, 2012**

(51) **LOC (9) Cl.** ..... **06-08**

(52) **U.S. Cl.** ..... **D6/315**

(58) **Field of Classification Search** ..... D6/315,  
D6/320, 325, 327; D9/414, 415, 432, 433,  
D9/434, 435, 436, 437, 444, 446, 451, 455,  
D9/456, 457; D20/27; 2/144-157; 206/278,  
206/292; 211/85.3, 86.01, 113; 223/85-98;  
248/214, 215, 301, 340

See application file for complete search history.

(56) **References Cited**

**U.S. PATENT DOCUMENTS**

D93,143	S	*	8/1934	Spragg	.....	D6/320
D112,779	S	*	1/1939	Lazarus	.....	D6/320
D122,692	S	*	9/1940	Owen	.....	D6/315
2,626,735	A	*	1/1953	Gwinn et al.	.....	223/87
D191,647	S	*	10/1961	Seeger	.....	D6/315
3,065,946	A	*	11/1962	Berkow	.....	248/317
D200,224	S	*	2/1965	Manaster	.....	D6/315
D202,316	S	*	9/1965	Pehr	.....	D6/315
3,378,180	A	*	4/1968	Singer	.....	223/87
D218,496	S	*	8/1970	Swett et al.	.....	D6/315
3,592,343	A	*	7/1971	Swett et al.	.....	211/123
3,790,045	A	*	2/1974	Rigel et al.	.....	223/87
D237,142	S	*	10/1975	Barnes	.....	D8/363
D264,789	S	*	6/1982	Zyla et al.	.....	D6/315
D272,494	S	*	2/1984	Mahowald	.....	D6/513
5,014,957	A	*	5/1991	Nichol, Jr.	.....	248/340
D323,069	S	*	1/1992	Leese	.....	D6/315
D342,613	S	*	12/1993	Ackerman	.....	D6/327
5,328,065	A	*	7/1994	Kolton et al.	.....	223/85
D359,990	S	*	7/1995	Berman	.....	D20/27
5,429,284	A	*	7/1995	Kolton et al.	.....	223/85
D368,591	S	*	4/1996	Doyle, III	.....	D6/315
5,620,118	A	*	4/1997	Kolton et al.	.....	223/85
D391,157	S	*	2/1998	Snitzer et al.	.....	D9/415
5,772,087	A	*	6/1998	Kolton	.....	223/1
5,857,597	A	*	1/1999	Kolton	.....	223/85

D412,535	S	*	8/1999	Tinklenberg et al.	.....	D20/22
D427,640	S	*	7/2000	Derentz	.....	D20/22
D447,877	S	*	9/2001	Shaffer	.....	D6/315
6,305,655	B1	*	10/2001	Van Horn	.....	248/301
D490,112	S	*	5/2004	Hadzic et al.	.....	D20/27
D630,444	S	*	1/2011	Navarro	.....	D6/315
D636,189	S	*	4/2011	Dickinson et al.	.....	D6/315

**OTHER PUBLICATIONS**

[Neck Tie Hanger Black—18132], [online], [retrieved on Jul. 26, 2012]. Retrieved from, <[http://www.storesupply.com/pc-11948-671-black-neck-tie-hanger-18132.aspx?utm\\_source=Google&utm\\_medium=UnpaidCSE&utm\\_campaign=GoogleShopping&gclid=CN60i5jat7ECFQff4AodkGkAFw](http://www.storesupply.com/pc-11948-671-black-neck-tie-hanger-18132.aspx?utm_source=Google&utm_medium=UnpaidCSE&utm_campaign=GoogleShopping&gclid=CN60i5jat7ECFQff4AodkGkAFw)>, p. 1.\*

\* cited by examiner

*Primary Examiner* — Stella Reid

*Assistant Examiner* — Lauren Calve

(74) *Attorney, Agent, or Firm* — Notaro, Michalos & Zaccaria P.C.

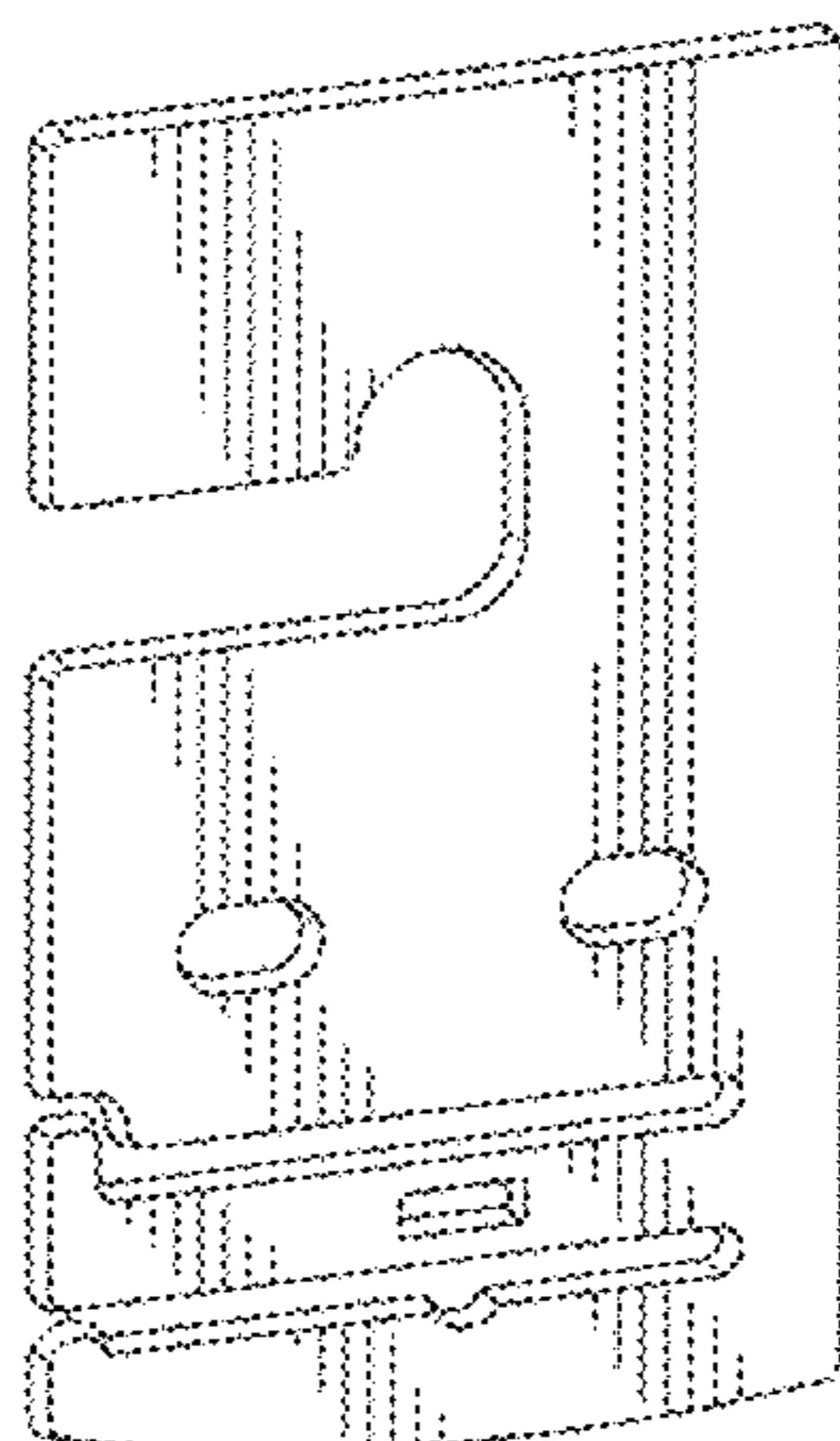
(57) **CLAIM**

The ornamental design for a tie hanger, as shown and described.

**DESCRIPTION**

FIG. 1 is a front, top, right perspective view of a tie hanger showing my new design therefor;  
FIG. 2 is a rear, bottom, left perspective view thereof;  
FIG. 3 is a front elevational view thereof;  
FIG. 4 is a rear elevational view thereof;  
FIG. 5 is a right side elevational view thereof;  
FIG. 6 is a left side elevational view thereof;  
FIG. 7 is a top plan view thereof;  
FIG. 8 is a bottom plan view thereof;  
FIG. 9 is a view similar to FIG. 1 showing a second embodiment of my invention;  
FIG. 10 is a view similar to FIG. 2 thereof;  
FIG. 11 is a front elevational view thereof;  
FIG. 12 is a rear elevational view thereof;  
FIG. 13 is a right side elevational view thereof;  
FIG. 14 is a left side elevational view thereof;  
FIG. 15 is a top plan view thereof; and,  
FIG. 16 is a bottom plan view thereof.  
The broken lines in FIGS. 9-12, which define the bounds of the claimed design, form no part thereof.

**1 Claim, 12 Drawing Sheets**



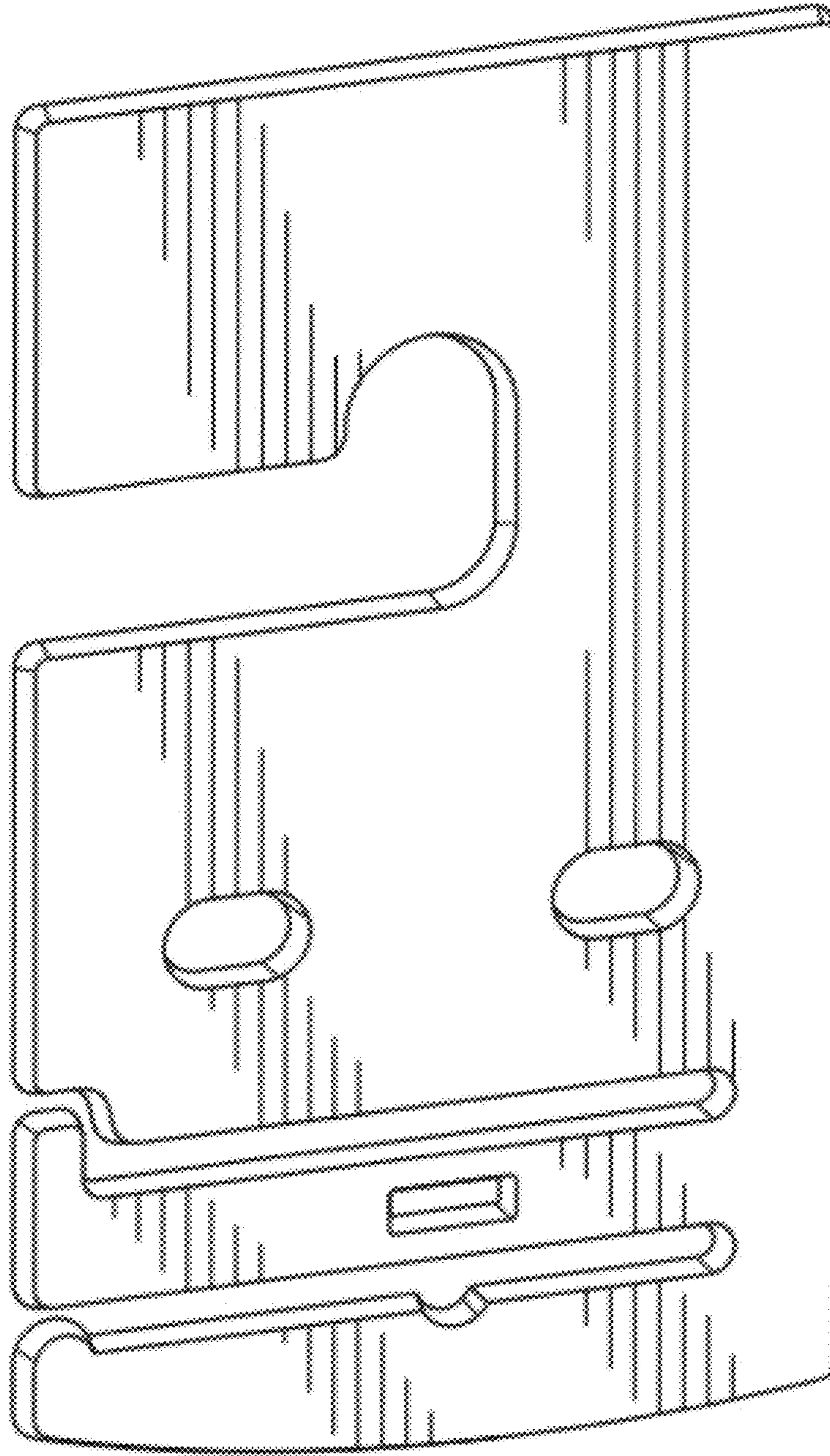


FIG. 1

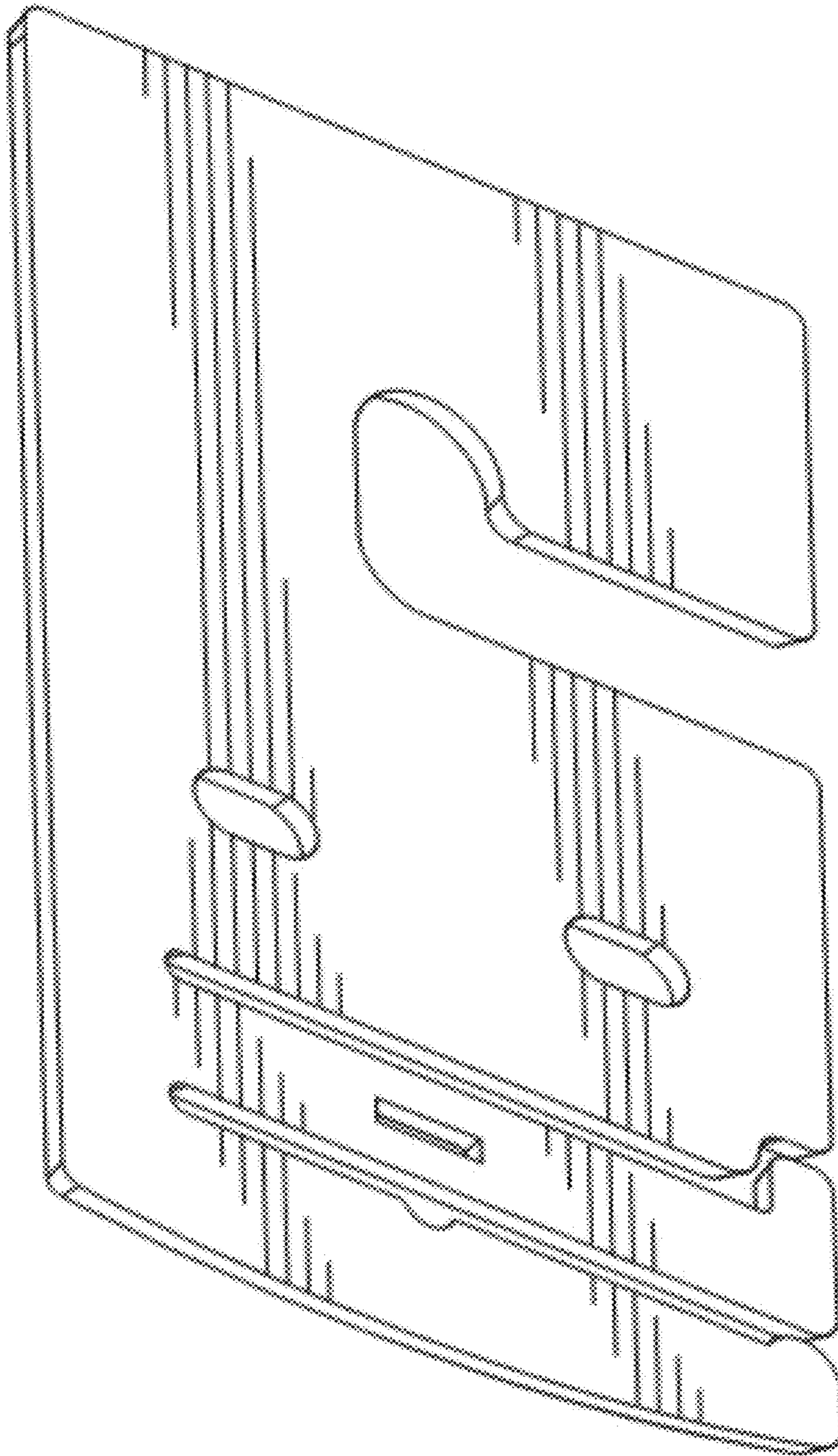


FIG. 2

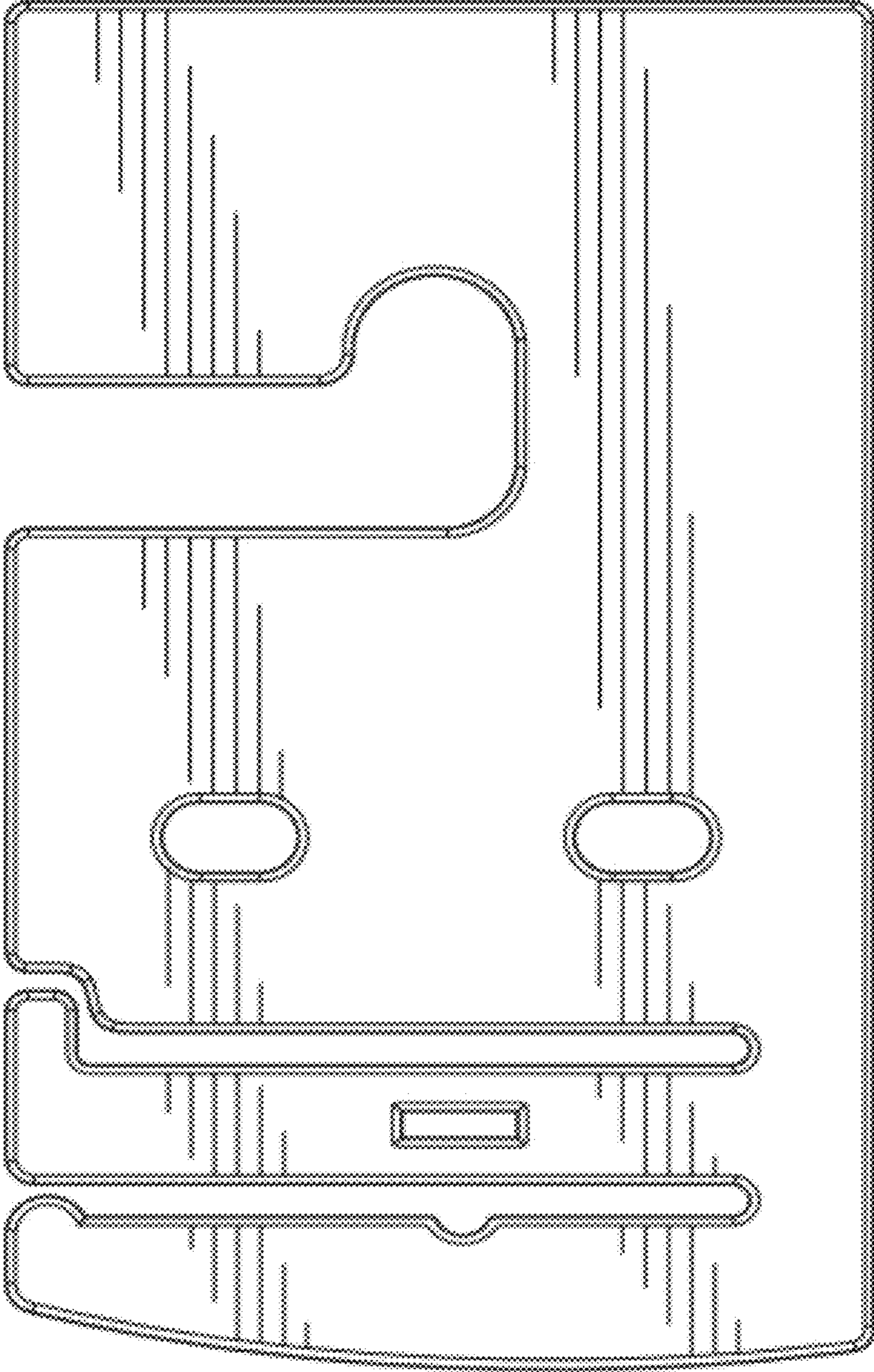


FIG. 3

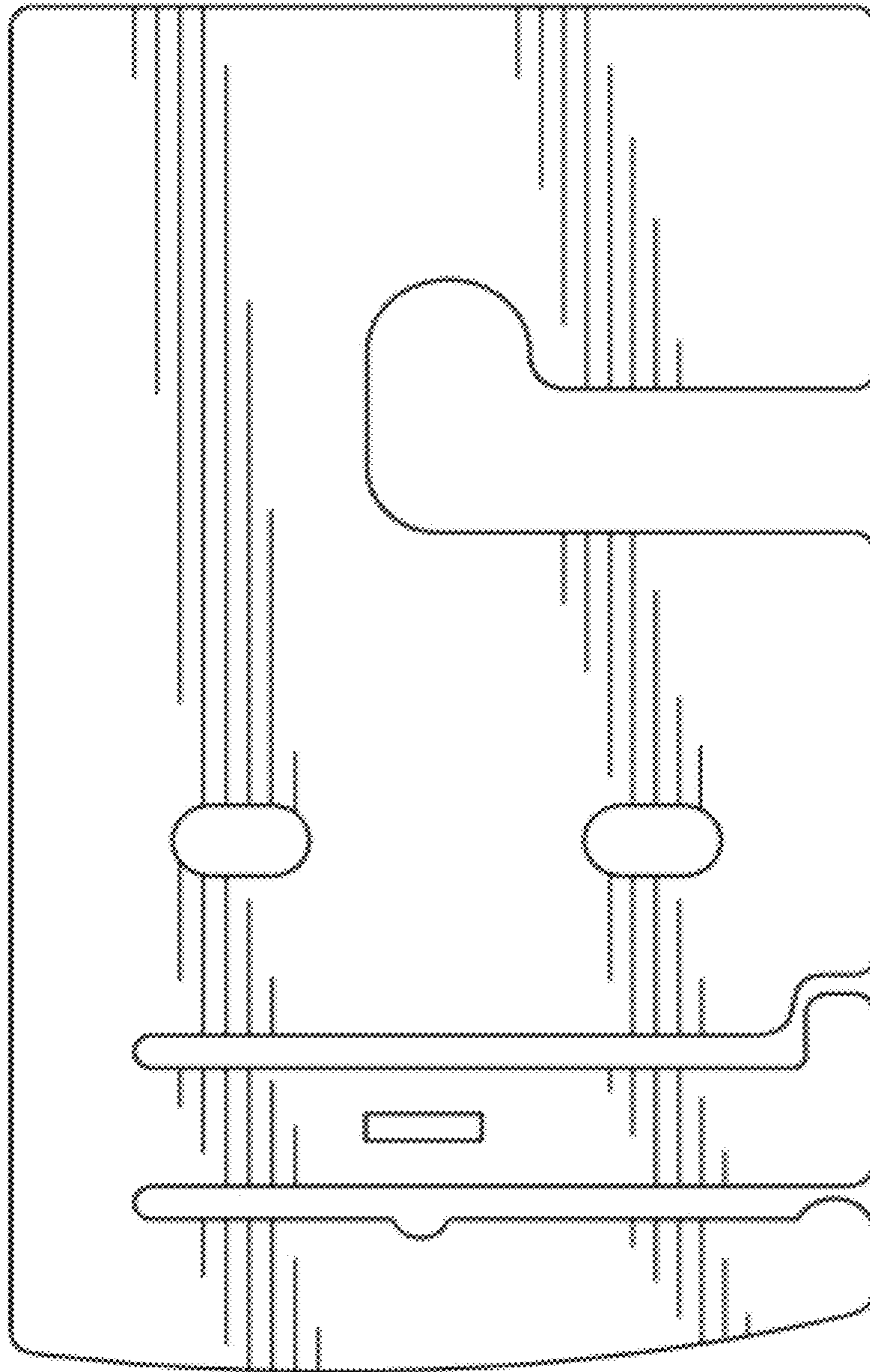


FIG. 4



FIG. 5



FIG. 6



FIG. 7



FIG. 8

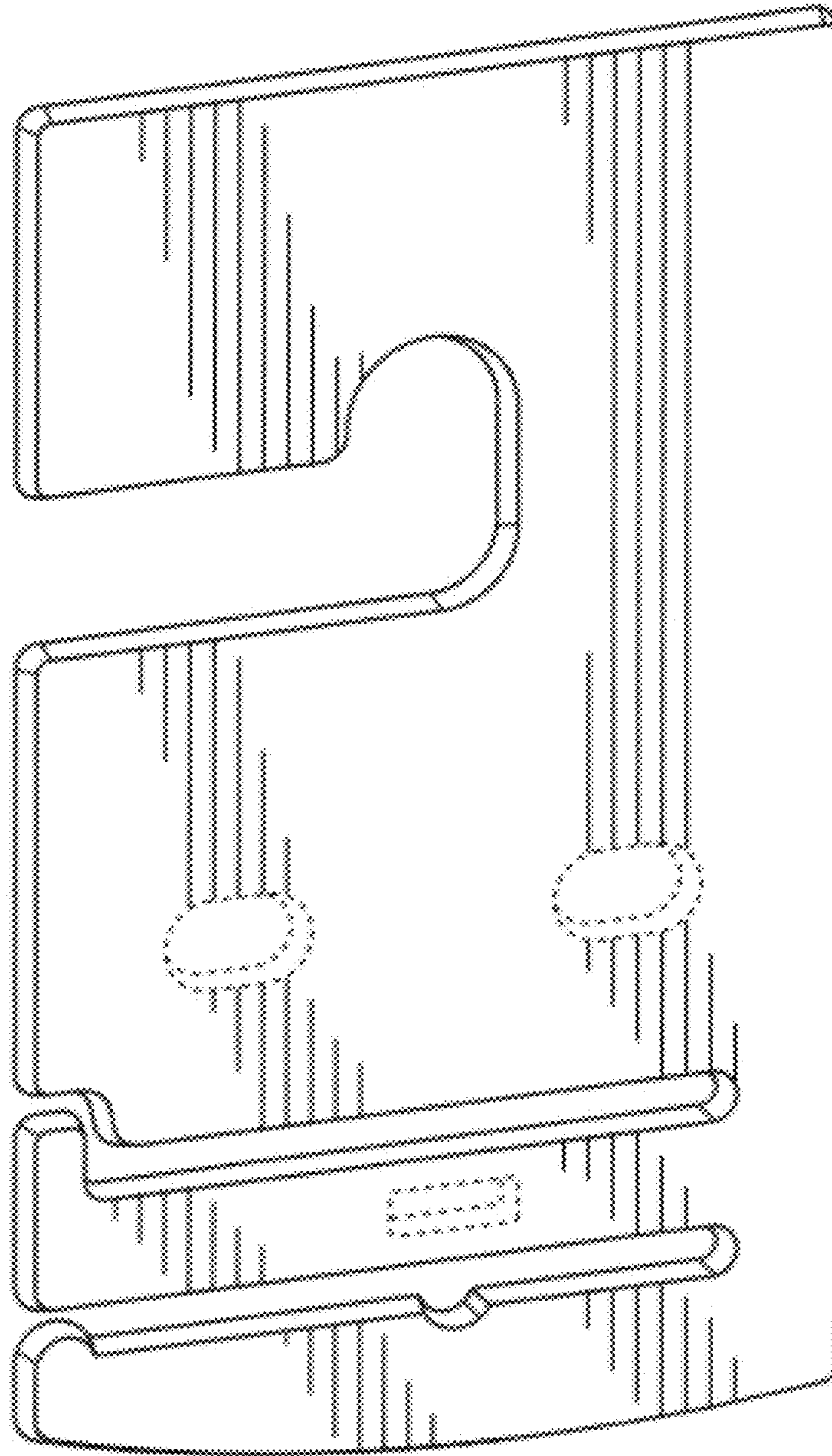


FIG. 9



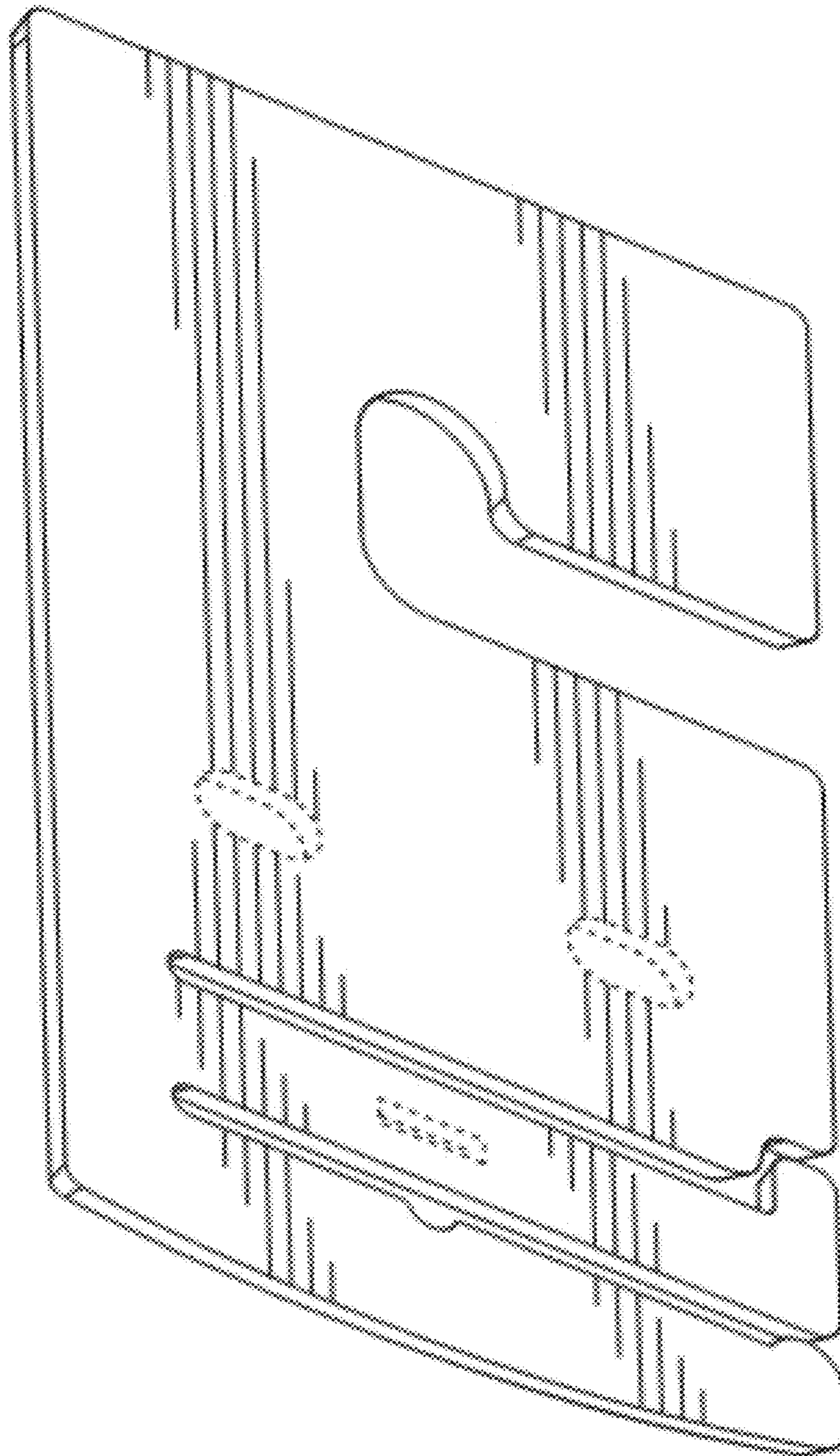


FIG. 10

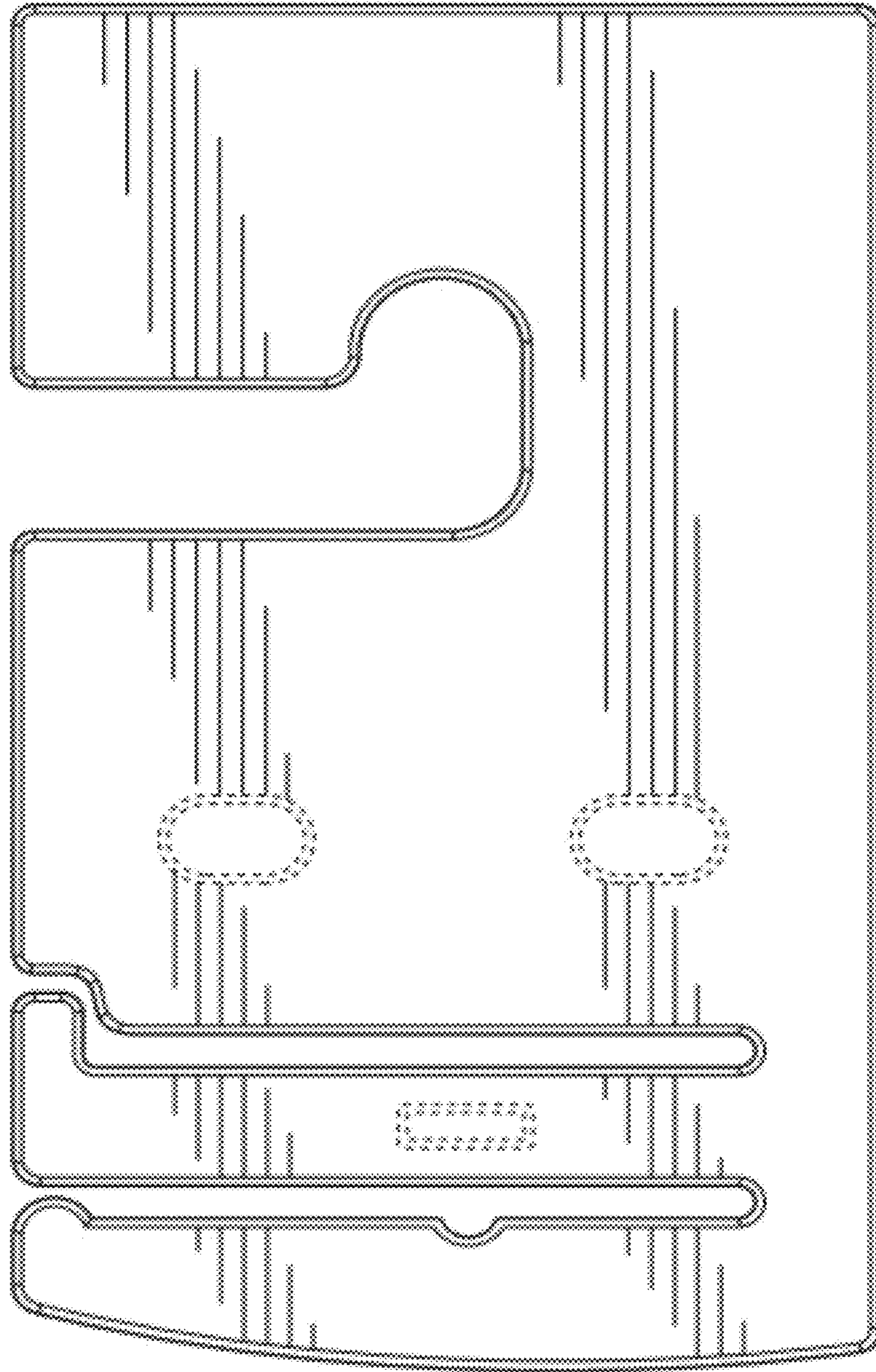


FIG. 11

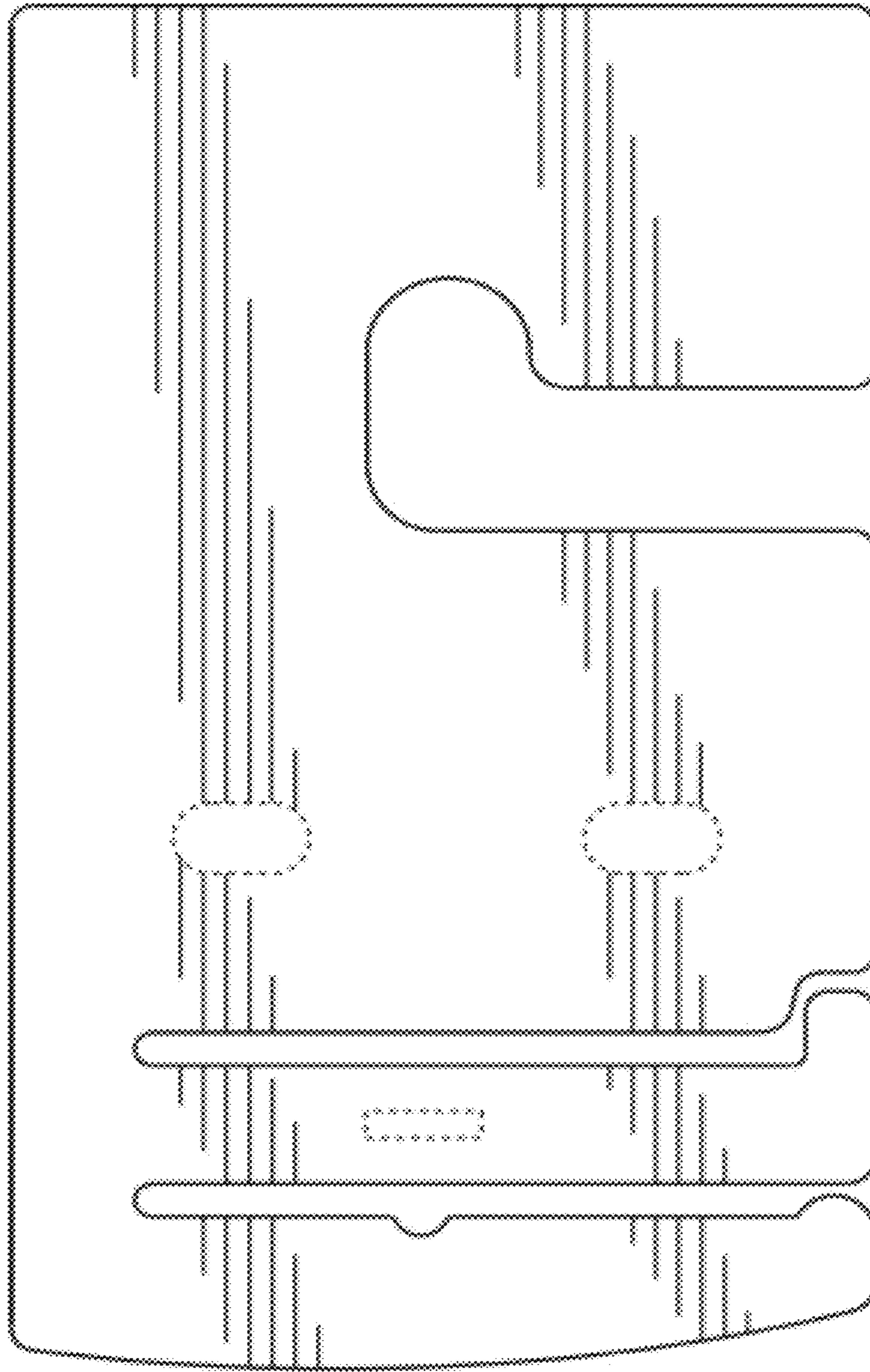


FIG. 12



FIG. 13



FIG. 14



FIG. 15



FIG. 16