



US00D672146S

(12) **United States Design Patent**
Fathollahi

(10) **Patent No.:** **US D672,146 S**

(45) **Date of Patent:** **** Dec. 11, 2012**

(54) **CASE**

(75) Inventor: **Andy Fathollahi**, Corona Del Mar, CA
(US)

(73) Assignee: **Incipio Technologies, Inc.**, Irvine, CA
(US)

(**) Term: **14 Years**

(21) Appl. No.: **29/397,566**

(22) Filed: **Jul. 18, 2011**

(51) **LOC (9) Cl.** **03-01**

(52) **U.S. Cl.** **D3/299**

(58) **Field of Classification Search** D3/299-300;
D14/250, 440; 206/576, 701-703, 320, 37-38,
206/235

See application file for complete search history.

(56) **References Cited**

U.S. PATENT DOCUMENTS

5,445,251 A * 8/1995 Redwood 190/109
D499,551 S * 12/2004 Lederer et al. D3/299
D586,851 S * 2/2009 Lapsker D19/26

D600,699 S * 9/2009 Johnston et al. D14/440

* cited by examiner

Primary Examiner — Holly Baynham

(74) *Attorney, Agent, or Firm* — Knobbe, Martens, Olson &
Bear, LLP

(57) **CLAIM**

I claim the ornamental design for a case, as shown and
described.

DESCRIPTION

FIG. 1 is a top end view of a case showing our new design;
FIG. 2 is a bottom end view thereof;
FIG. 3 is a left side view thereof;
FIG. 4 is a right side view thereof;
FIG. 5 is a front view thereof;
FIG. 6 is a back view thereof;
FIG. 7 is a front perspective view thereof;
FIG. 8 is a perspective view in an alternate position; and,
FIG. 9 is a perspective view in another alternate position.
The broken lines showing portions of the case are for the
purposes of illustrating environment and forms no part of the
claimed design.

1 Claim, 9 Drawing Sheets

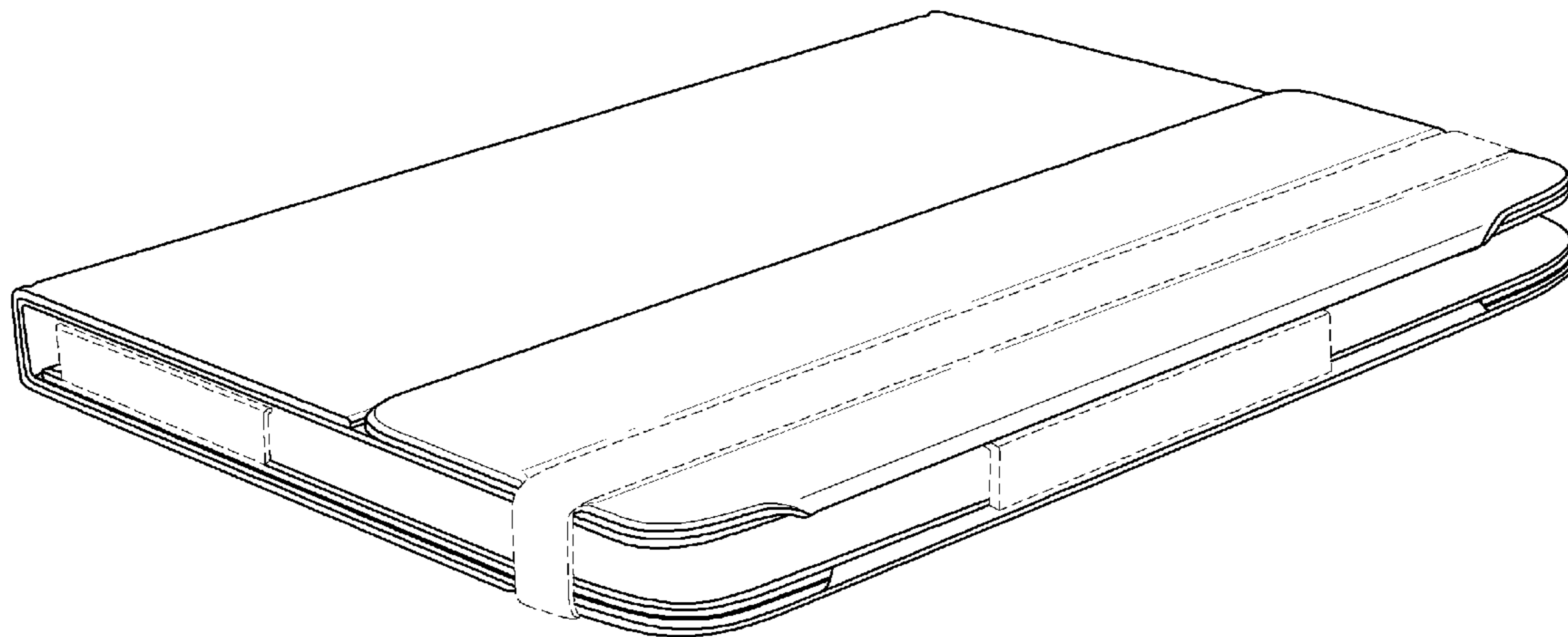




FIG. 1

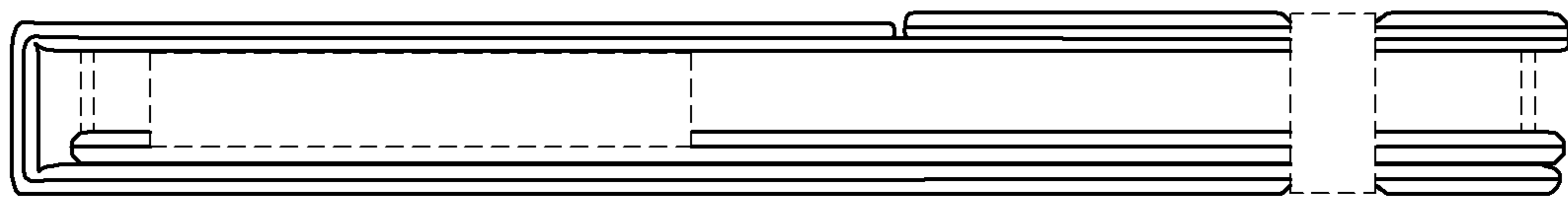


FIG. 2

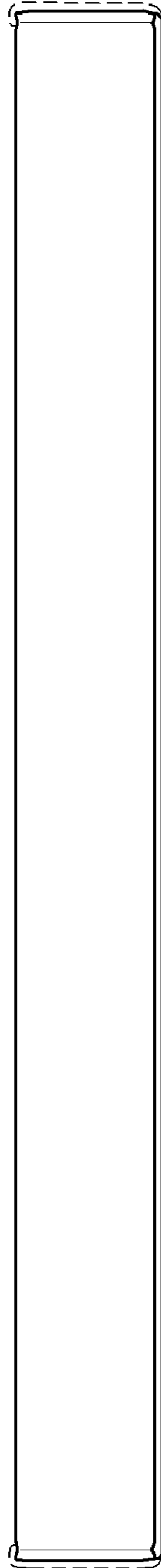


FIG. 3

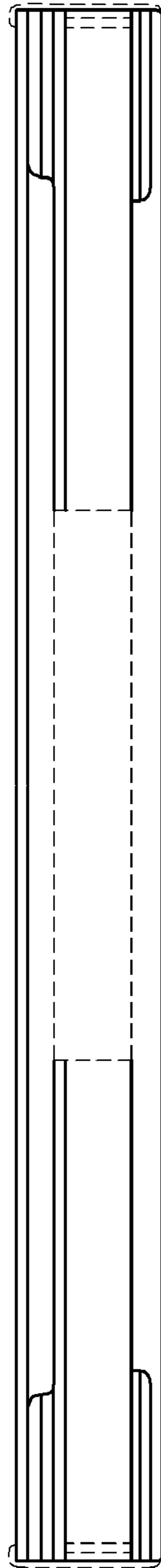


FIG. 4

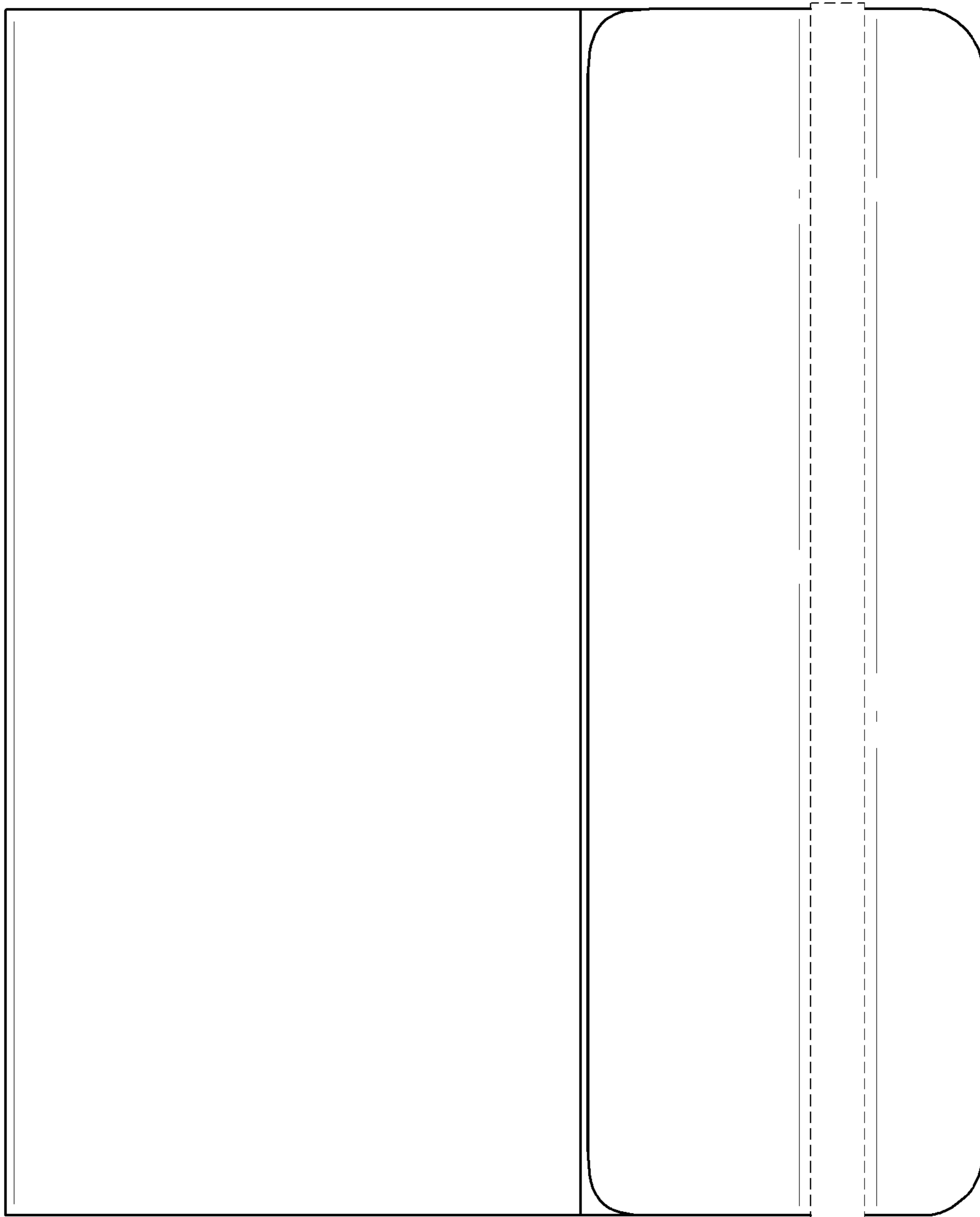


FIG. 5

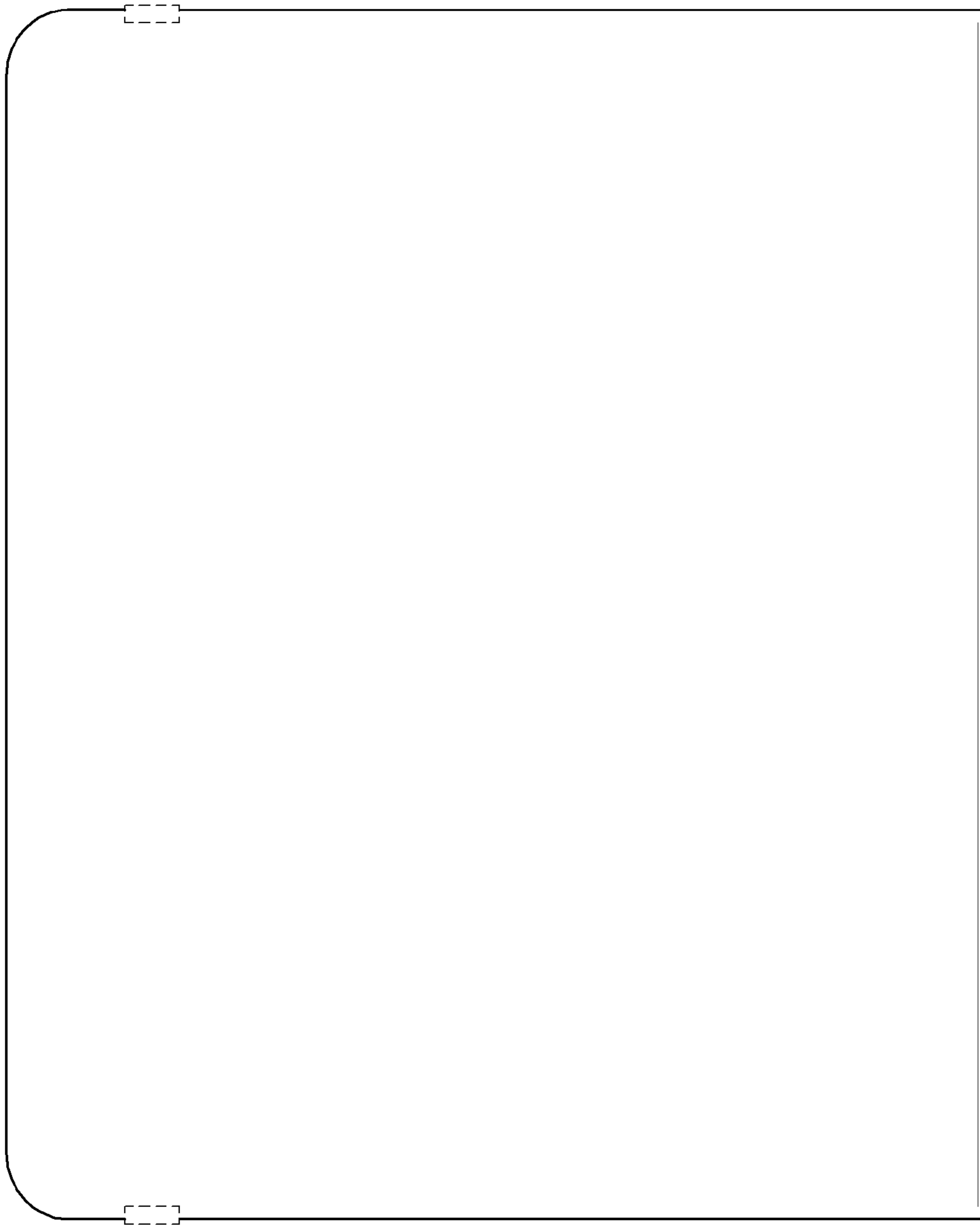


FIG. 6

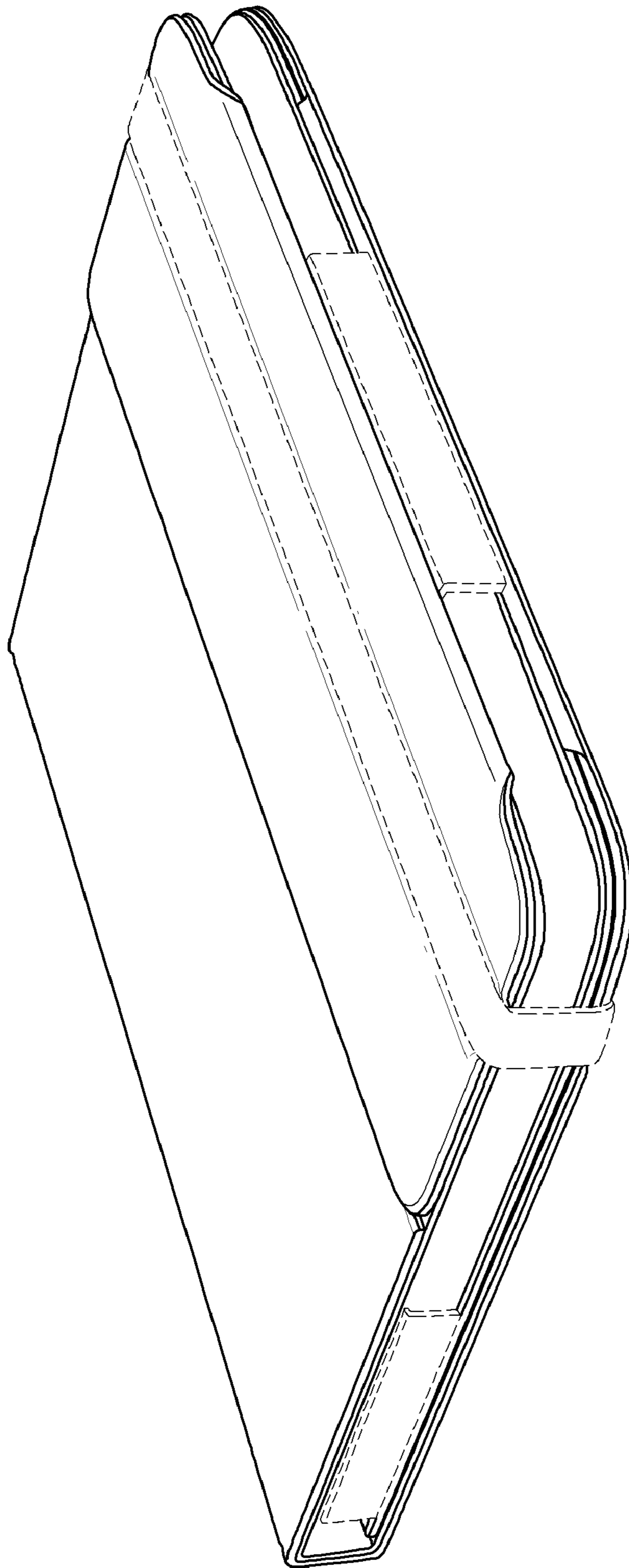


FIG. 7

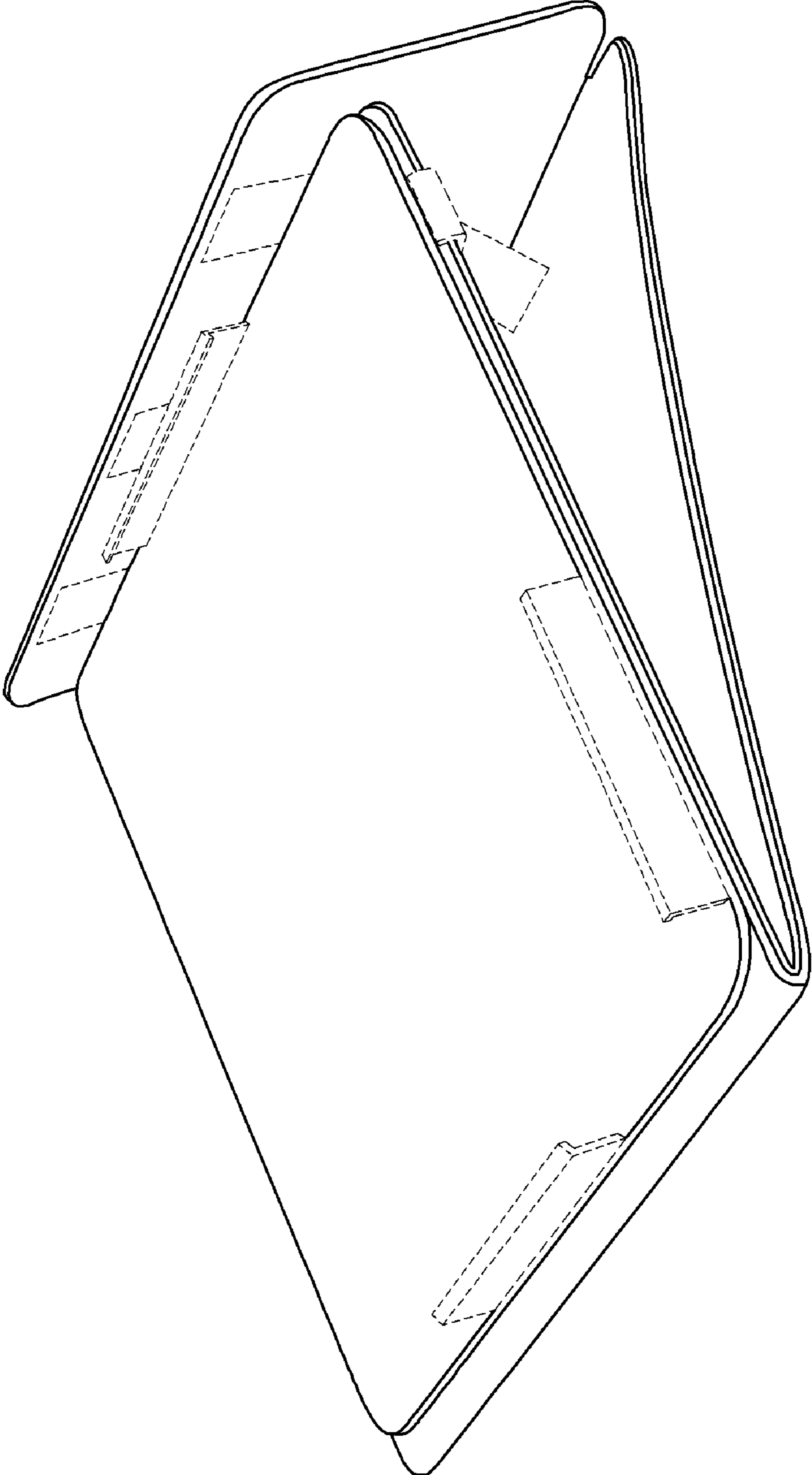


FIG. 8

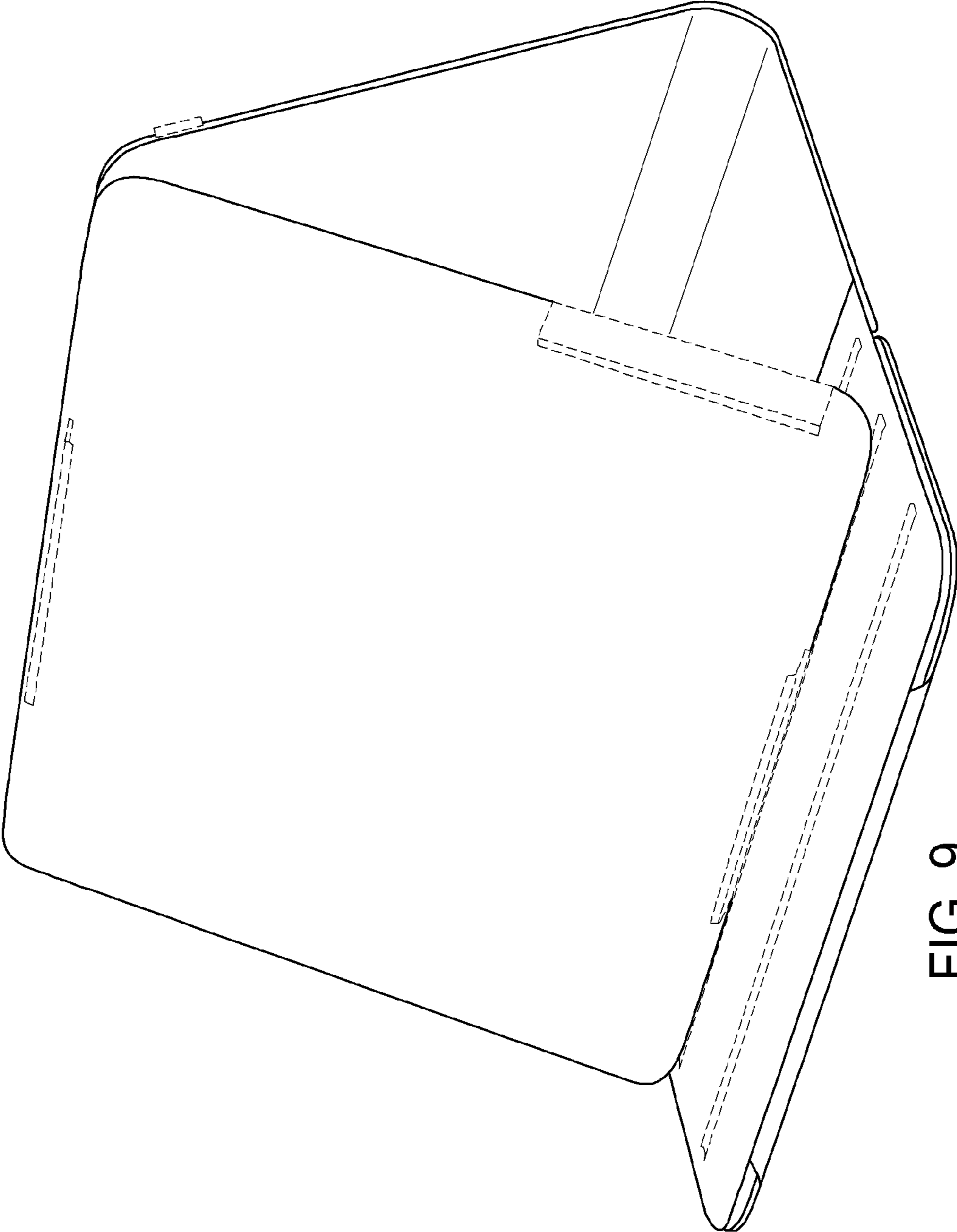


FIG. 9