



US00D672144S

(12) **United States Design Patent**
Buie, II

(10) **Patent No.:** **US D672,144 S**
(45) **Date of Patent:** **** Dec. 11, 2012**

- (54) **CASE FOR A GUN CLEANING KIT**
 - (75) Inventor: **James H. Buie, II**, Little Rock, AR (US)
 - (73) Assignee: **DAC Technologies Group International, Inc**, Little Rock, AR (US)
 - (**) Term: **14 Years**
 - (21) Appl. No.: **29/373,825**
 - (22) Filed: **May 27, 2011**
 - (51) **LOC (9) Cl.** **03-01**
 - (52) **U.S. Cl.** **D3/262**
 - (58) **Field of Classification Search** D3/262,
D3/203.1, 203.3, 203.6-203.8, 221, 222,
D3/273; 206/538, 315.11, 317, 373, 473,
206/579; 42/95
- See application file for complete search history.

- D424,294 S 5/2000 Lundyn
- D427,764 S * 7/2000 Conway D3/203.5
- 6,126,005 A 10/2000 Long, Jr.
- 6,209,723 B1 4/2001 Fields
- 6,244,899 B1 6/2001 Bogursky
- 6,269,579 B1 8/2001 Warner
- 6,547,070 B1 * 4/2003 Kolpin 206/317
- D482,863 S 12/2003 Flood
- 6,701,657 B1 3/2004 Hudspeth
- D500,597 S * 1/2005 Hillman D3/301
- D505,008 S 5/2005 Malik
- 7,020,994 B2 4/2006 Buie, II
- D535,476 S 1/2007 Pennington
- 7,165,673 B2 1/2007 Marks
- D543,025 S 5/2007 Cicione
- 7,356,961 B2 4/2008 Williams
- 7,367,151 B1 5/2008 Black
- D602,663 S 10/2009 Pennington
- D604,947 S 12/2009 Smart
- D632,079 S * 2/2011 Spencer et al. D3/301

* cited by examiner

Primary Examiner — Holly Baynham

(74) *Attorney, Agent, or Firm* — Stephen D. Carver

(56) **References Cited**

U.S. PATENT DOCUMENTS

- 682,877 A 9/1901 Mills
- 2,996,227 A 8/1961 Andrew
- D279,120 S 6/1985 Spangler
- D283,269 S * 4/1986 Durbin D3/262
- 4,807,381 A 2/1989 Southard
- 4,873,777 A 10/1989 Southard
- 4,901,464 A 2/1990 Banoun
- D310,302 S 9/1990 Southard
- D313,886 S 1/1991 Southard
- 5,052,555 A * 10/1991 Harmon 206/315.11
- 5,075,998 A 12/1991 Selleck
- D325,952 S 5/1992 Moore
- 5,202,523 A 4/1993 Grossman
- 5,317,827 A 6/1994 Jaremeo
- 5,379,542 A 1/1995 Guzman
- 5,427,239 A 6/1995 Hunt
- D383,492 S * 9/1997 Siemon et al. D19/26
- D383,896 S * 9/1997 Whang D3/254
- 5,775,021 A 7/1998 Weiss
- 5,931,363 A 8/1999 Ammons, Jr.
- 5,972,125 A 10/1999 Hedge

(57) **CLAIM**

The ornamental design for a case for a gun cleaning kit, as shown and described.

DESCRIPTION

FIG. 1 is a top plan view of the preferred embodiment of my new case for a gun cleaning kit;
 FIG. 2 is a side elevational view of the case of FIG. 1;
 FIG. 3 is a right end elevational view thereof, as viewed from a position generally to the right of FIG. 1;
 FIG. 4 is a left end elevational view thereof, as viewed from a position generally to the left of FIG. 1;
 FIG. 5 is an elevational view of the side opposite that of FIG. 2;
 FIG. 6 is a frontal isometric view thereof; and,
 FIG. 7 is a rear isometric view thereof.

1 Claim, 6 Drawing Sheets

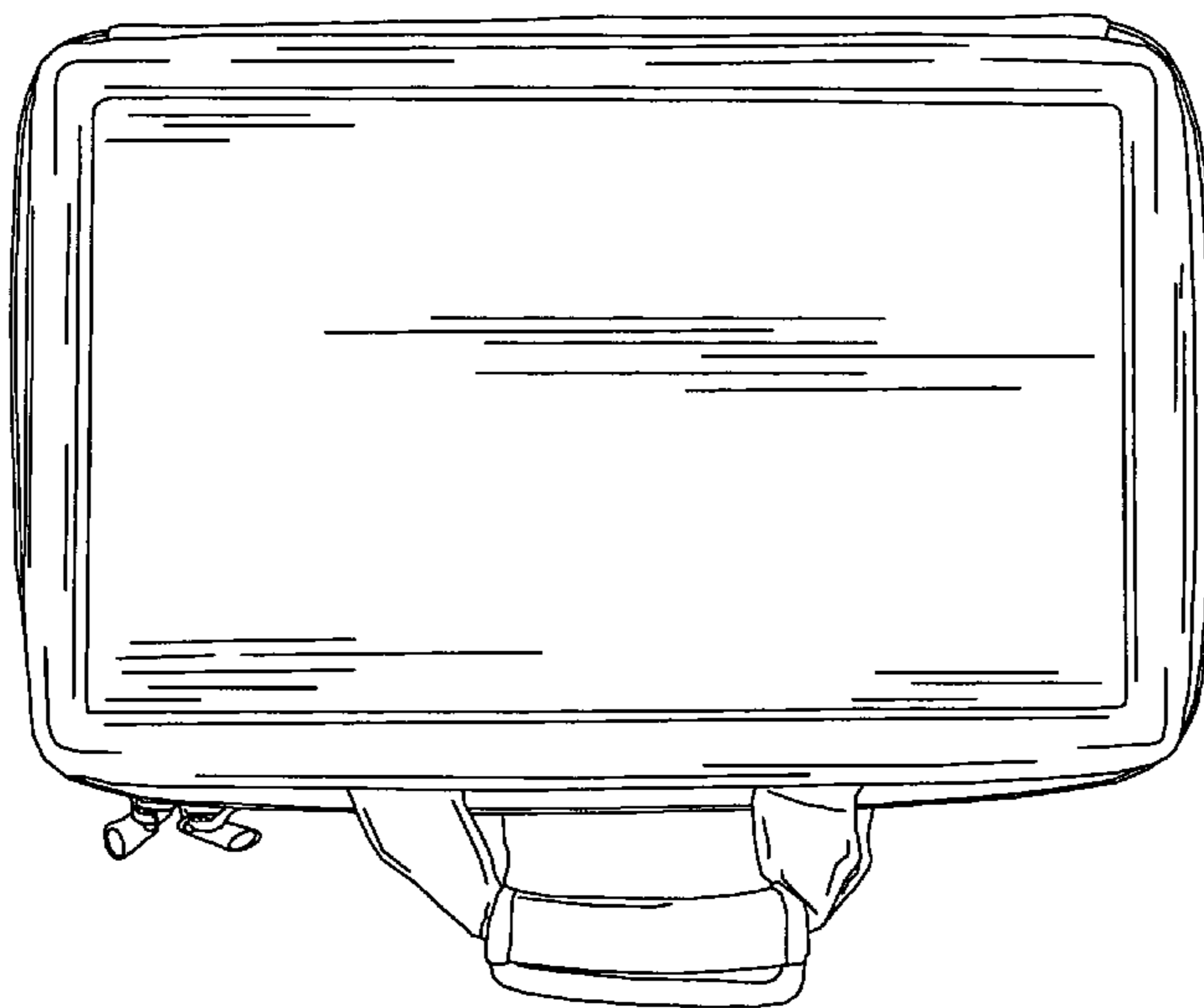


Fig. 1

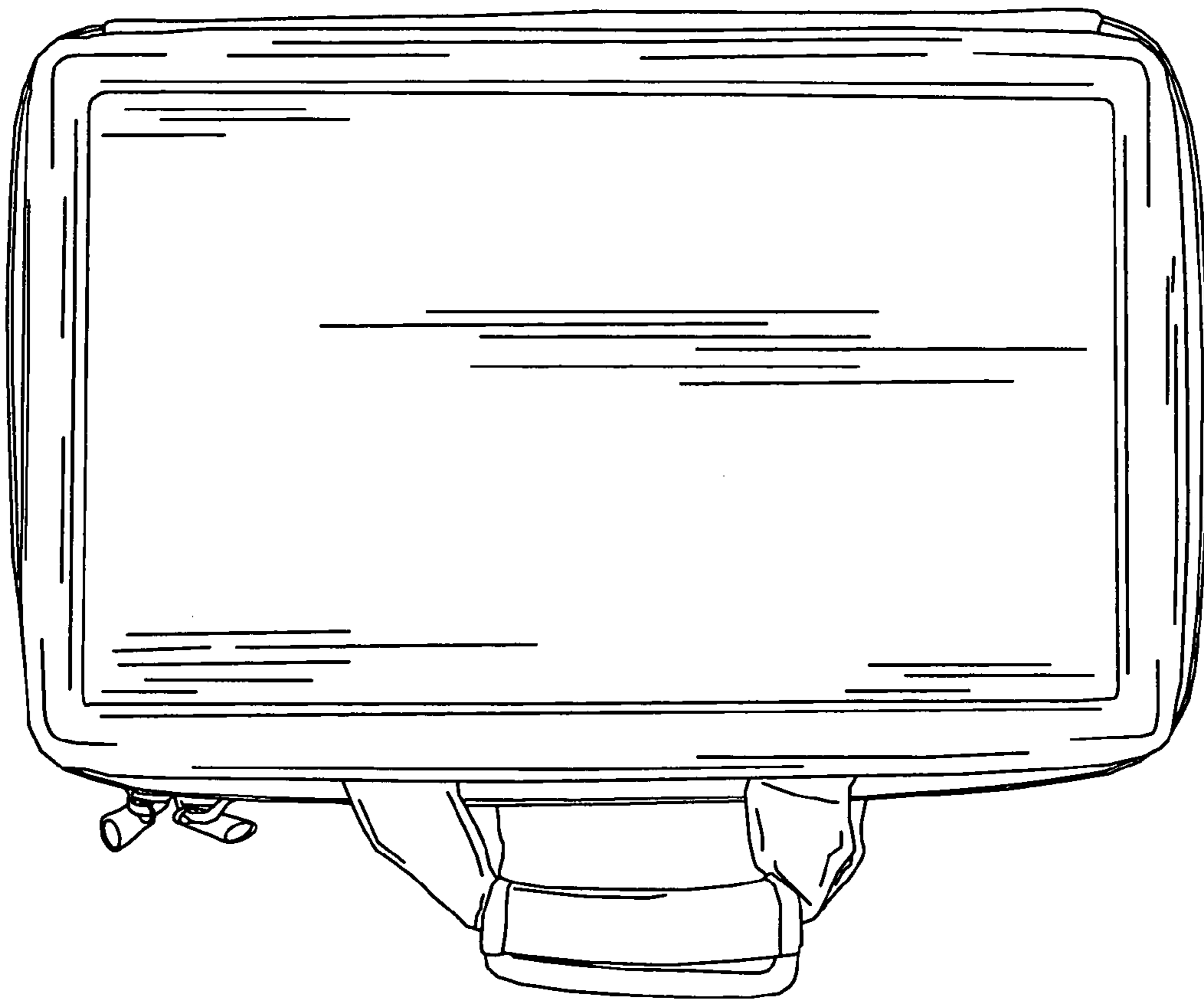


Fig. 2

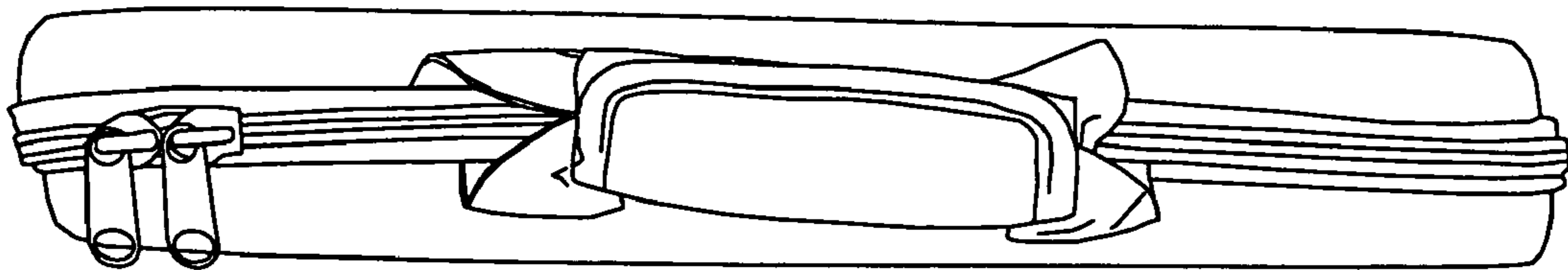


Fig. 3

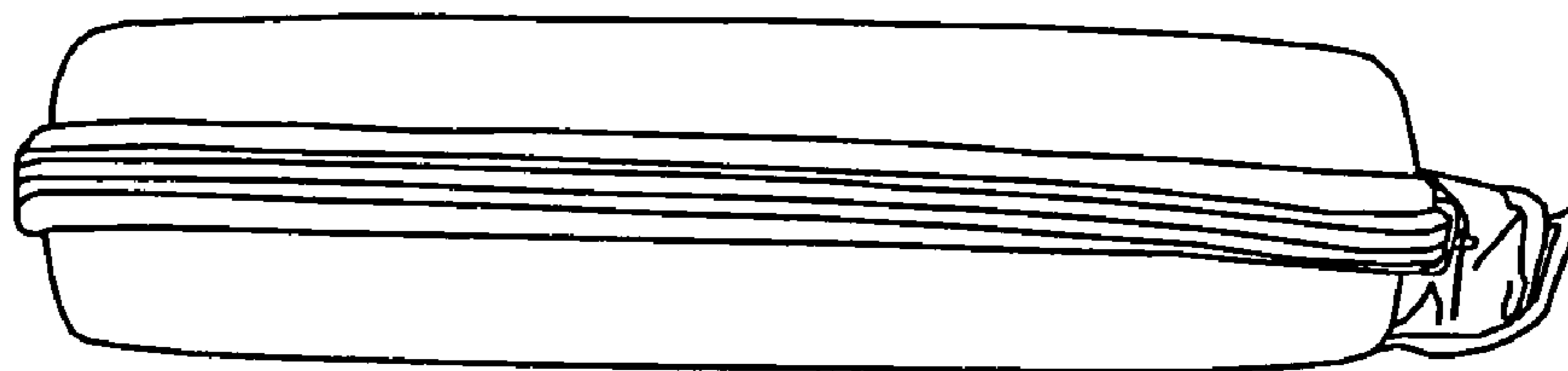


Fig. 4

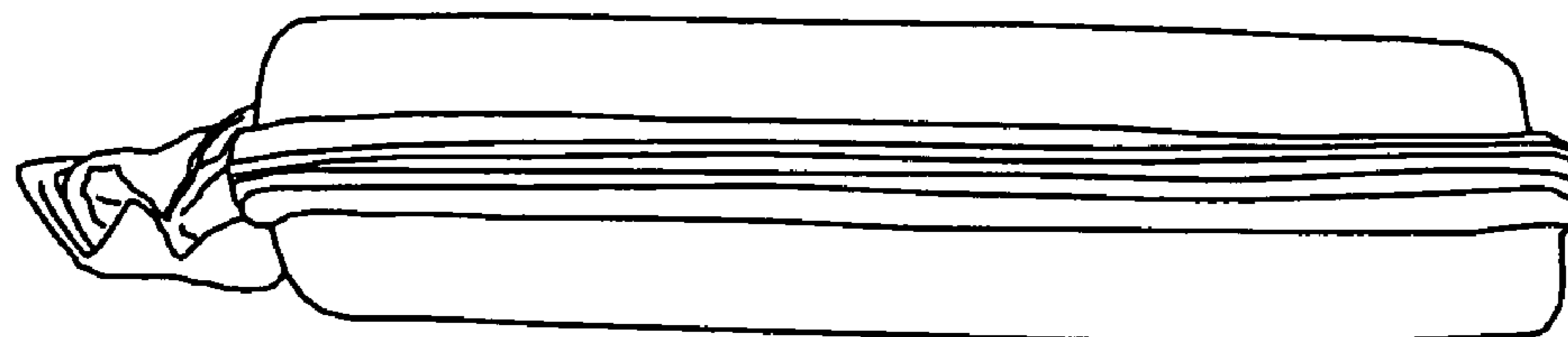


Fig. 5

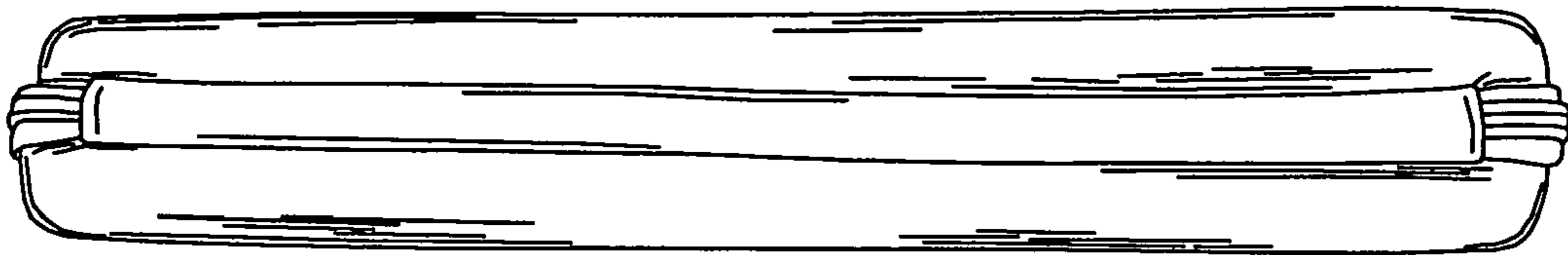


Fig. 6

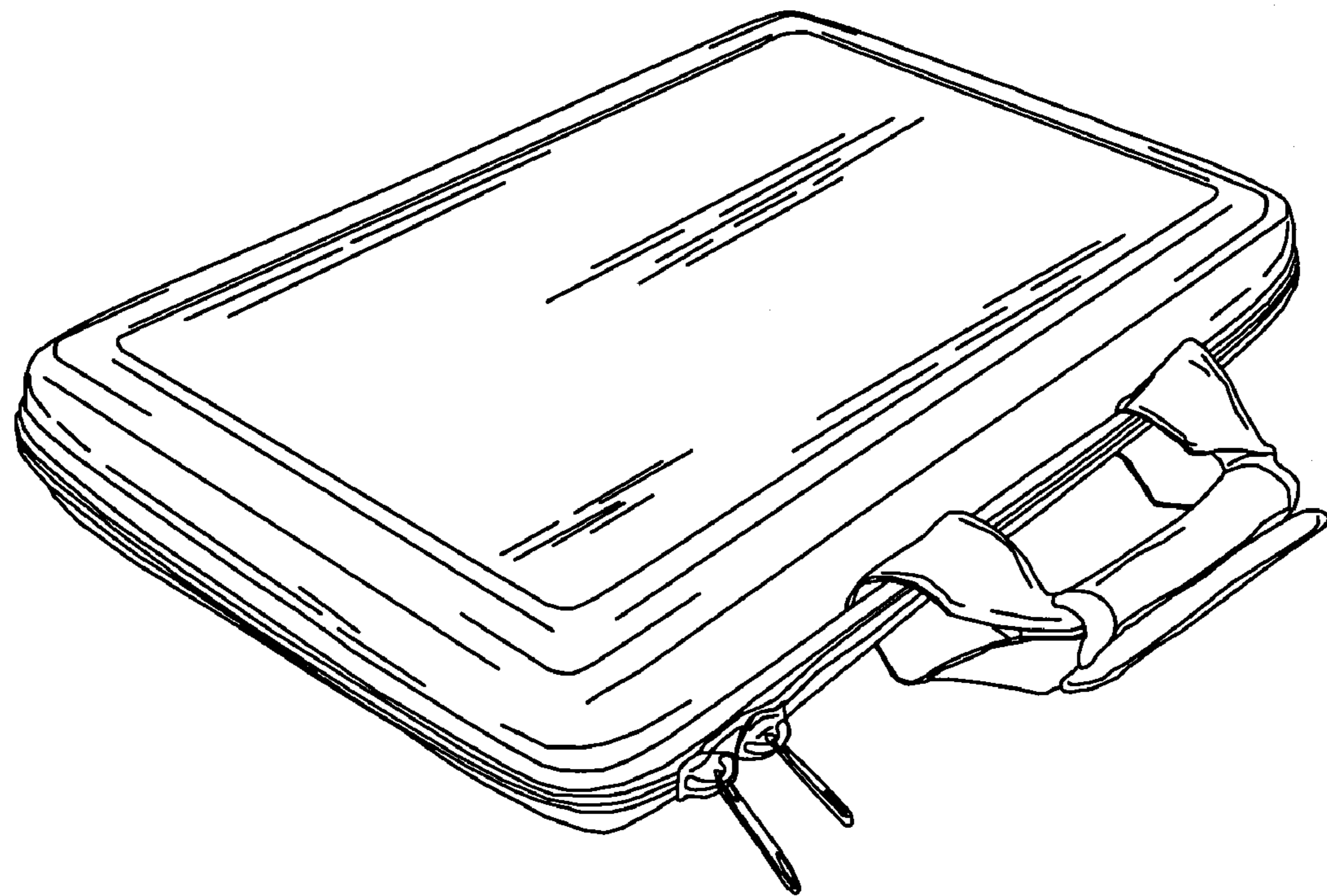


Fig. 7

