



US00D672140S

(12) **United States Design Patent**
Crofton-Sleigh et al.

(10) **Patent No.:** **US D672,140 S**

(45) **Date of Patent:** **** Dec. 11, 2012**

(54) **CARRIER FOR BOTTLES, CANS, BEVERAGES, FOOD CONTAINERS, OR THE LIKE**

(76) Inventors: **Richard Crofton-Sleigh**, Richmond, VA (US); **Leslie M. Haas**, Richmond, VA (US)

(**) Term: **14 Years**

(21) Appl. No.: **29/410,815**

(22) Filed: **Jan. 12, 2012**

Related U.S. Application Data

(63) Continuation of application No. 29/362,369, filed on May 25, 2010, now Pat. No. Des. 654,684.

(51) **LOC (9) Cl.** **03-01**

(52) **U.S. Cl.** **D3/229**

(58) **Field of Classification Search** D3/229, D3/202, 201; 224/148.1–148.6; D7/605–608, D7/619.1, 620, 622; 40/633; D11/4; 248/311.2
See application file for complete search history.

(56) **References Cited**

U.S. PATENT DOCUMENTS

1,208,728	A	12/1916	Bartlett et al.
2,793,901	A	1/1954	Johnson
3,275,366	A	9/1966	Hidding
3,543,976	A	12/1970	Ronald
3,805,427	A	4/1974	Epstein
4,090,729	A	5/1978	Erickson
4,154,011	A	5/1979	Rakestraw et al.
D276,760	S	12/1984	Kesterson
4,902,261	A	2/1990	Pratt
5,056,696	A	10/1991	Lahr
D347,734	S	6/1994	Patterson
D349,190	S	8/1994	Wasserman
D350,024	S	8/1994	Ryker
5,407,110	A	4/1995	Marsh, Jr.
5,431,319	A	7/1995	Cavadini et al.
5,505,353	A	4/1996	Marsh, Jr.
5,622,346	A	4/1997	Story, Jr.
5,730,340	A	3/1998	Bosic
5,782,390	A	7/1998	Dorney
D408,991	S	5/1999	Perez

6,401,993	B1	6/2002	Andrino
6,806,124	B2	7/2007	Wang
D554,847	S	11/2007	Schmelzer et al.
2005/0127120	A1	6/2005	Pablo
2007/0108239	A1	5/2007	San Nicholas
2008/0060110	A1	3/2008	Schmelzer et al.
2008/0290225	A1	11/2008	Mostert
2009/0107018	A1	4/2009	Schmelzer et al.

OTHER PUBLICATIONS

Written Opinion and International Preliminary Report; International Application No. PCT/US2010/028859; mailing date Oct. 6, 2011; 6 pages.

Primary Examiner — Catheri Oliver

(74) *Attorney, Agent, or Firm* — Thomas & Karceski, P.C.

(57) **CLAIM**

I claim the ornamental design for a carrier for bottles, cans, beverages, food containers, or the like, as shown and described.

DESCRIPTION

FIG. 1 is a perspective view of the first embodiment of a carrier for bottles, cans, beverages, food containers, or the like;

FIG. 2 is a perspective view thereof from a different angle;

FIG. 3 is a front elevation view thereof;

FIG. 4 is a rear elevation view thereof;

FIG. 5 is a right side elevation view thereof;

FIG. 6 is a left side elevation view thereof;

FIG. 7 top view thereof;

FIG. 8 is a bottom view thereof;

FIG. 9 is a perspective view of a second embodiment of a carrier for bottles, cans, beverages, food containers, or the like;

FIG. 10 is a perspective view thereof from a different angle;

FIG. 11 is a front elevation view thereof;

FIG. 12 is a rear elevation view thereof;

FIG. 13 is a right side elevation view thereof;

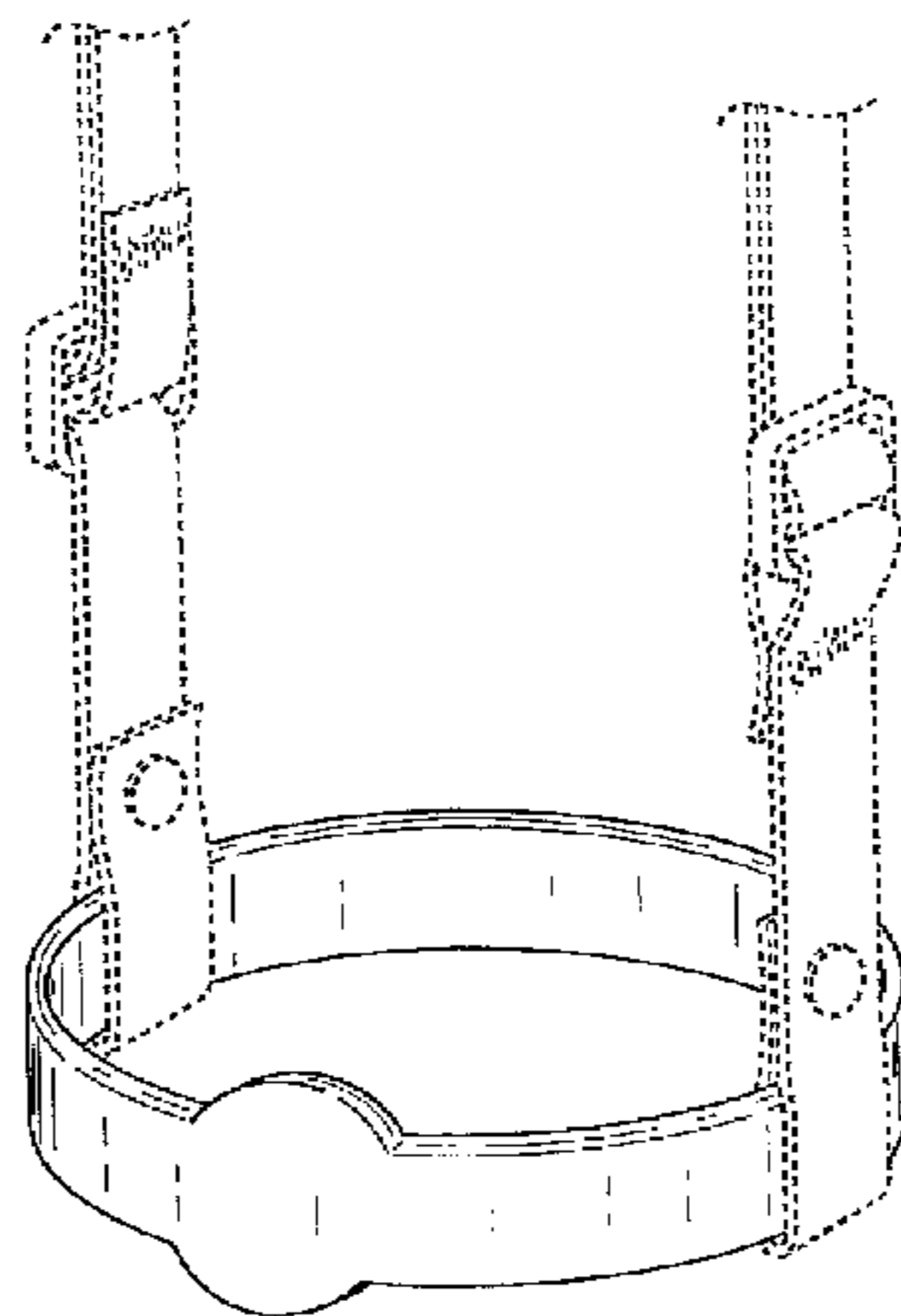
FIG. 14 is a left side elevation view thereof;

FIG. 15 is a top view thereof; and,

FIG. 16 is a bottom view thereof.

Specific features shown in broken lines do not form any part of or otherwise limit the claimed design.

1 Claim, 6 Drawing Sheets



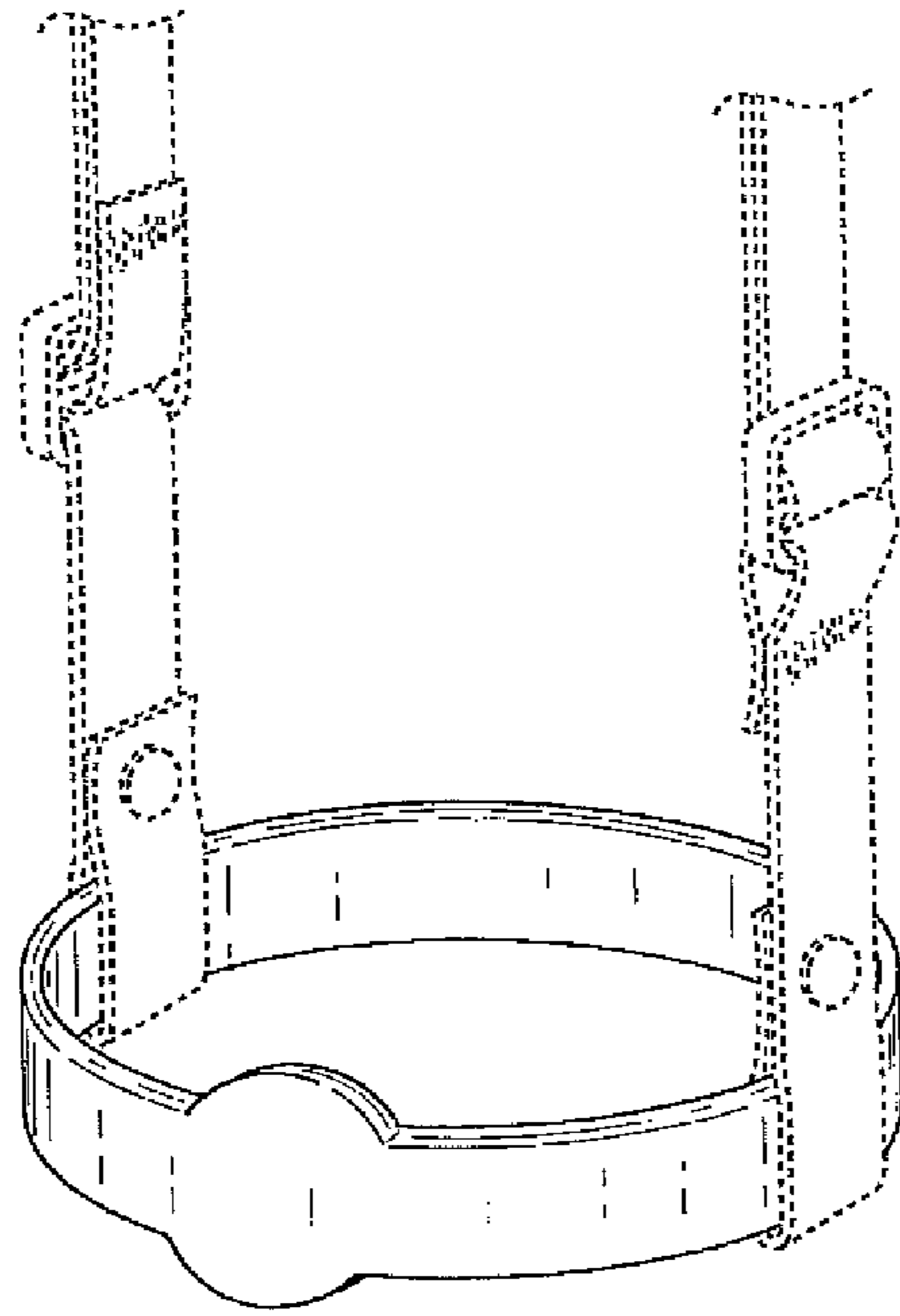


FIG. 1

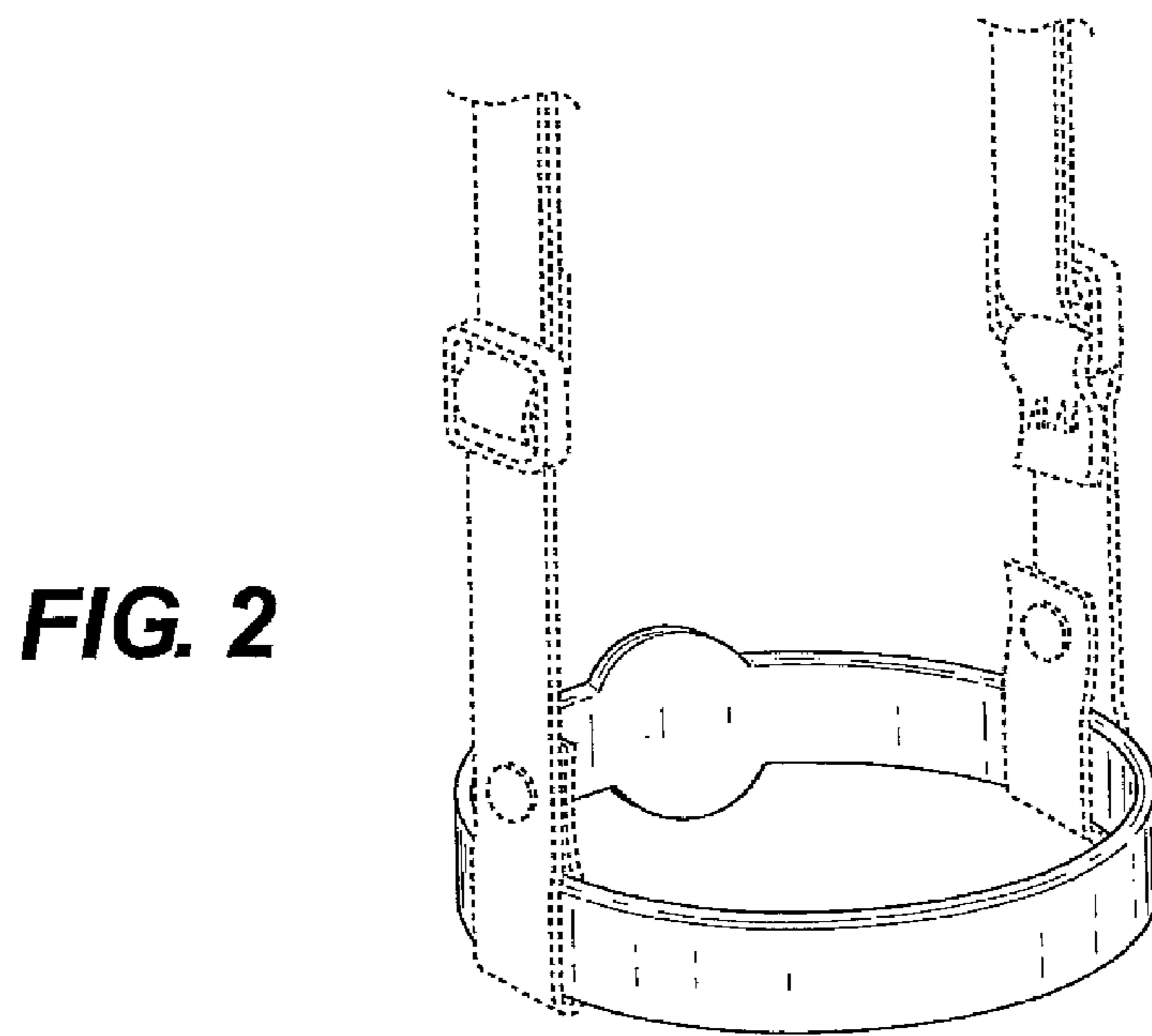


FIG. 2

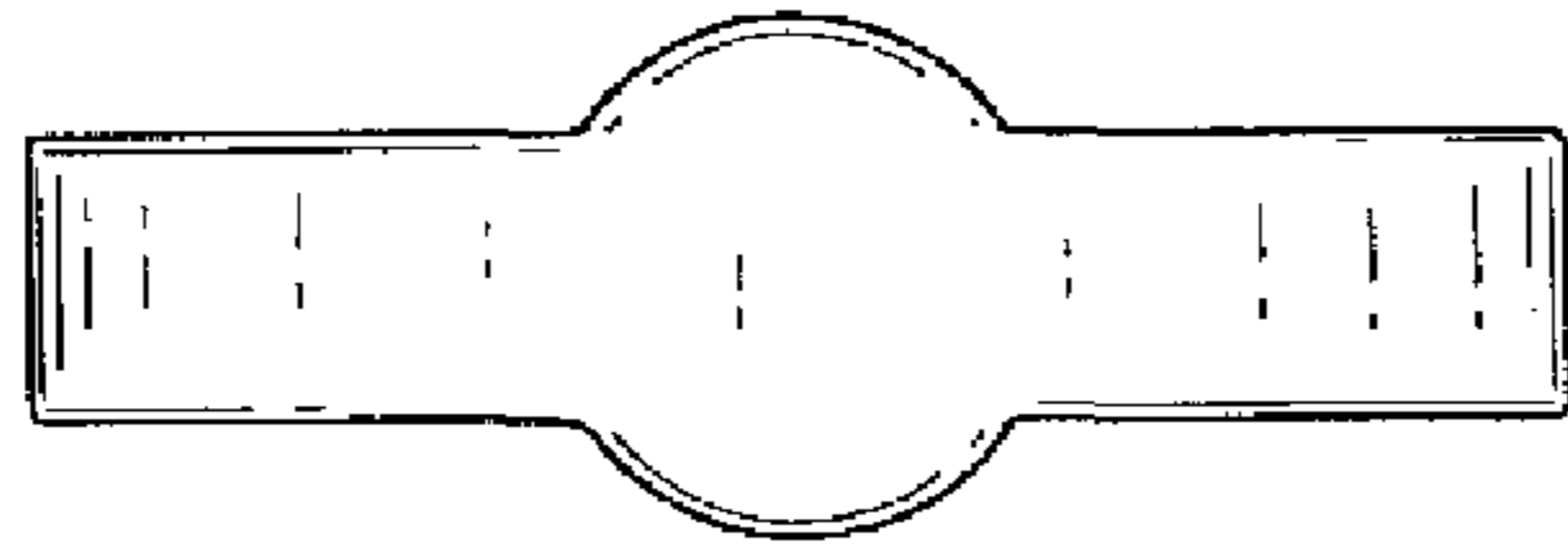


FIG. 3

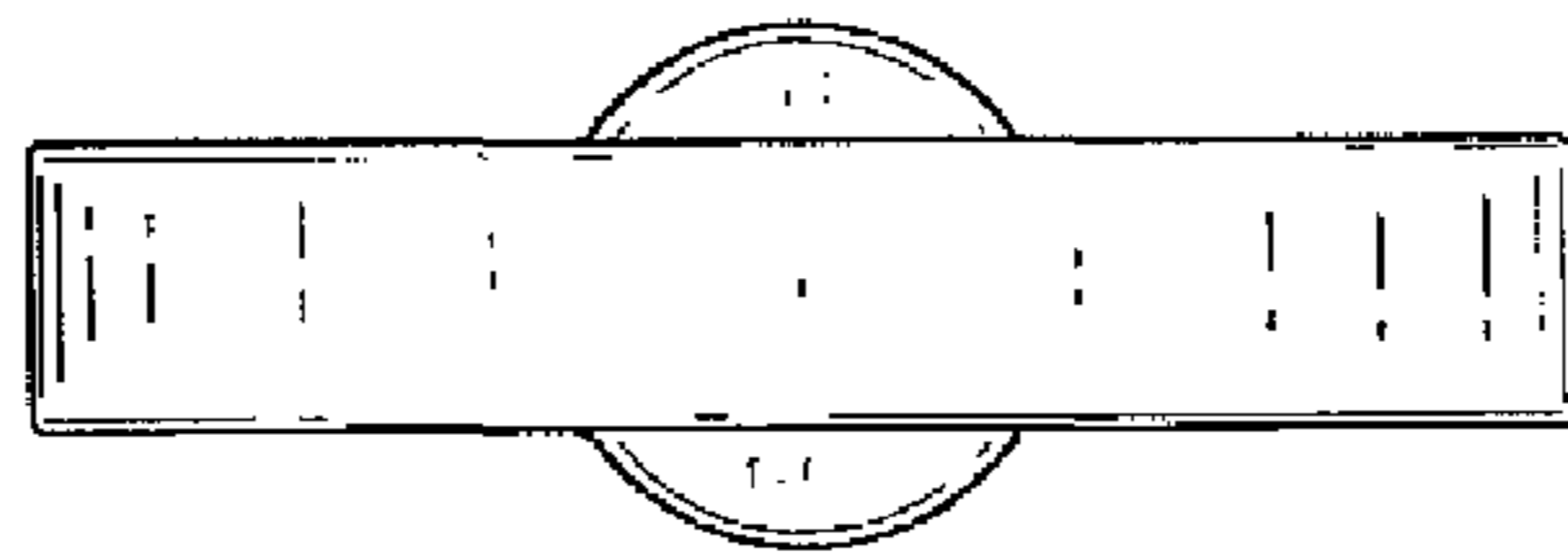


FIG. 4

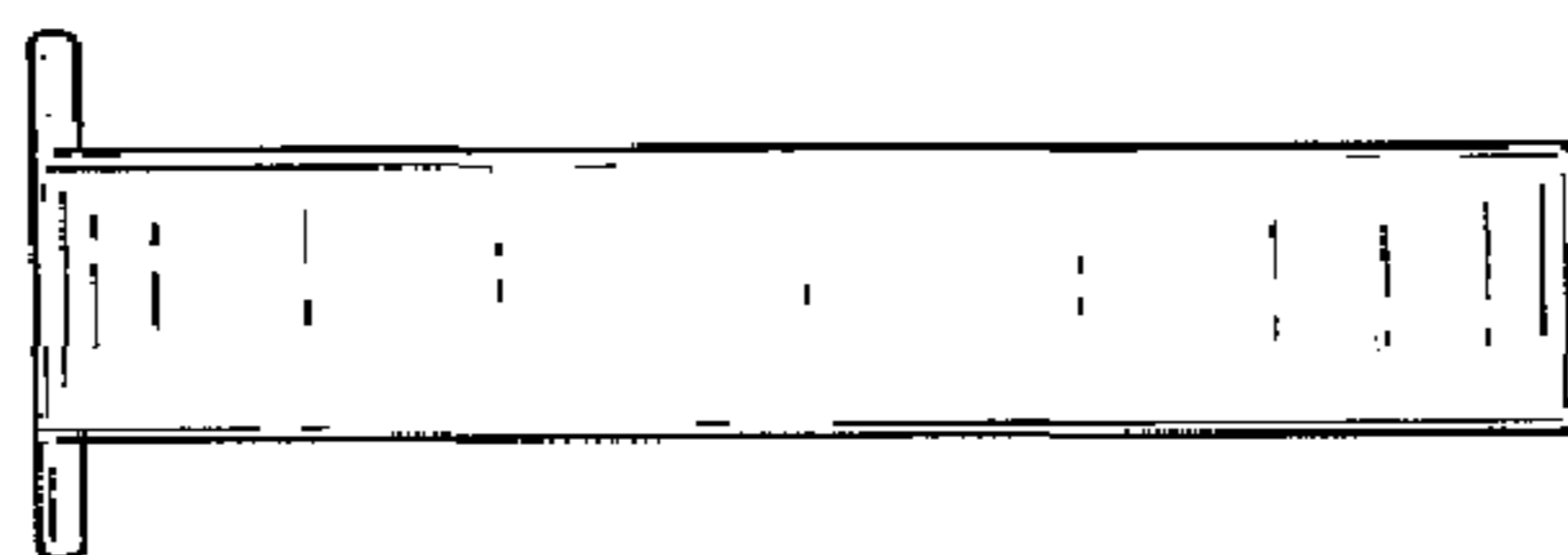


FIG. 5

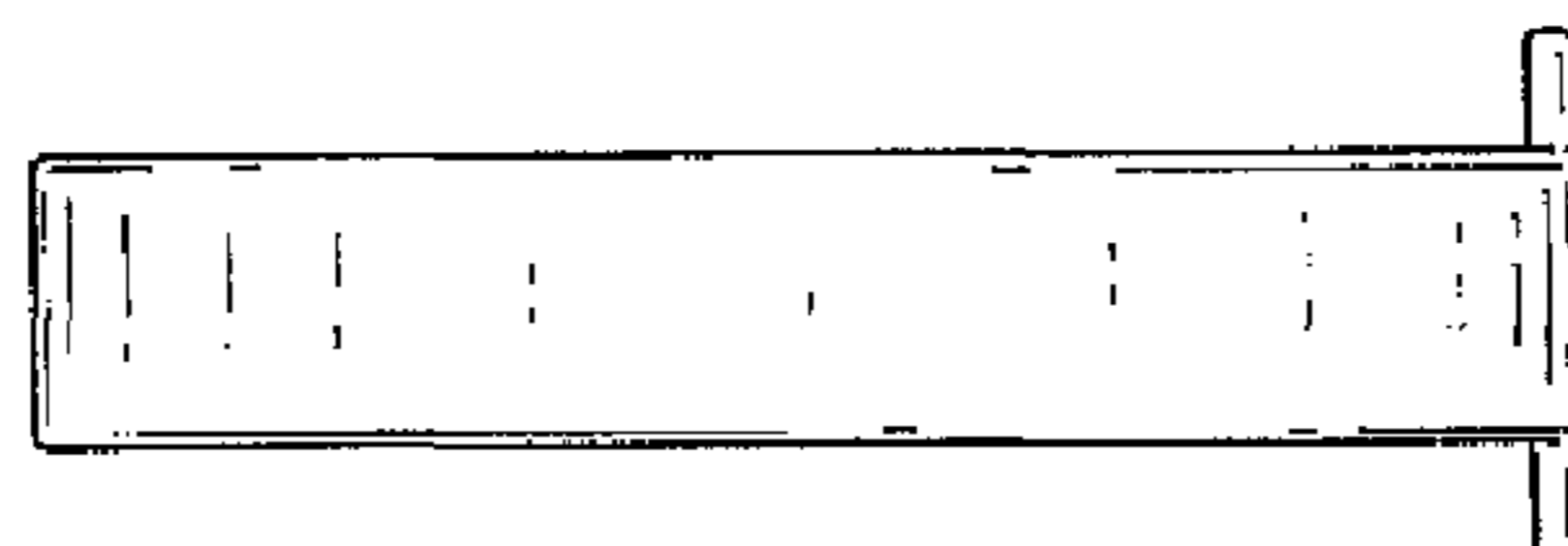


FIG. 6

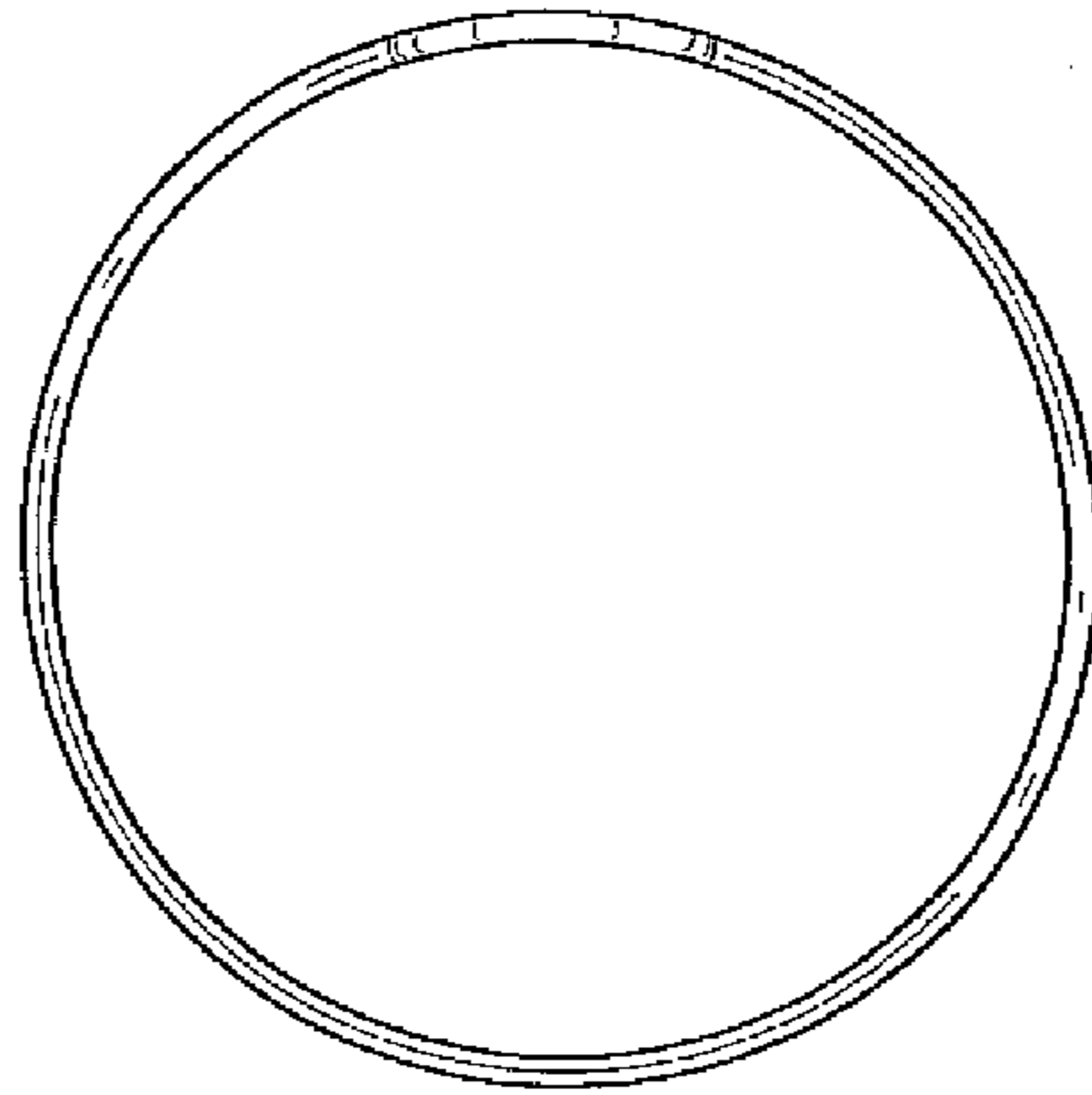


FIG. 7

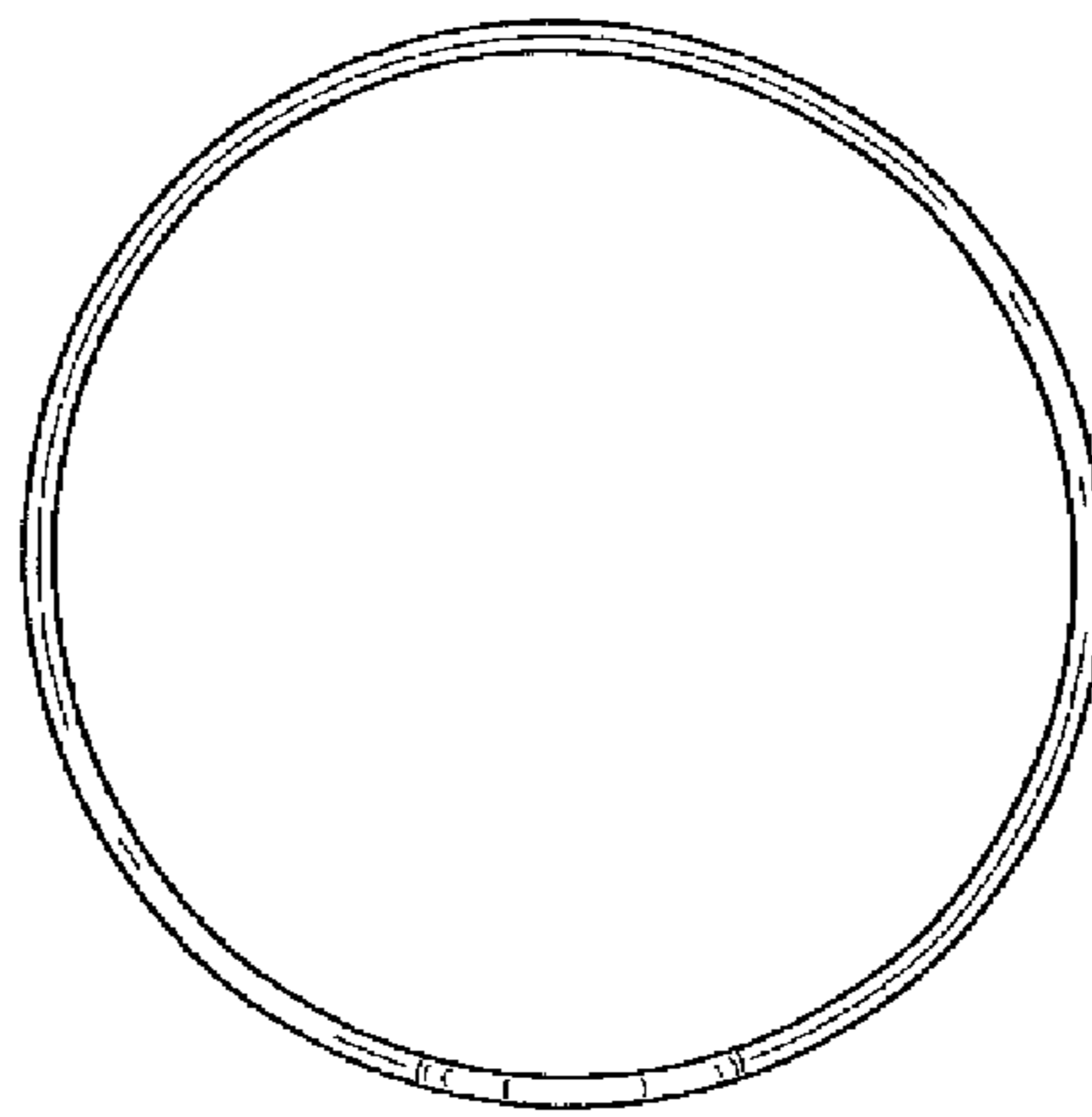


FIG. 8

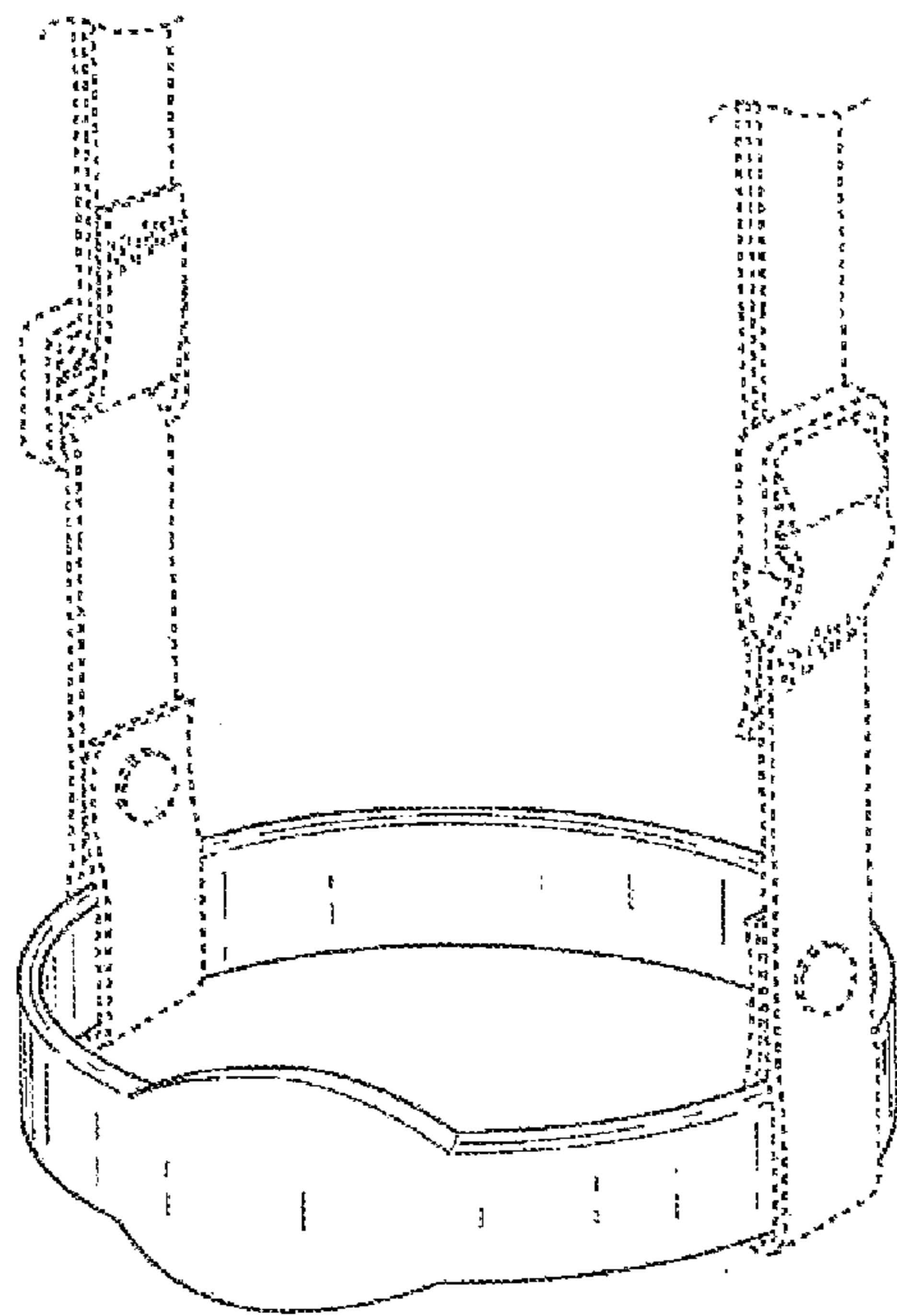


FIG. 9

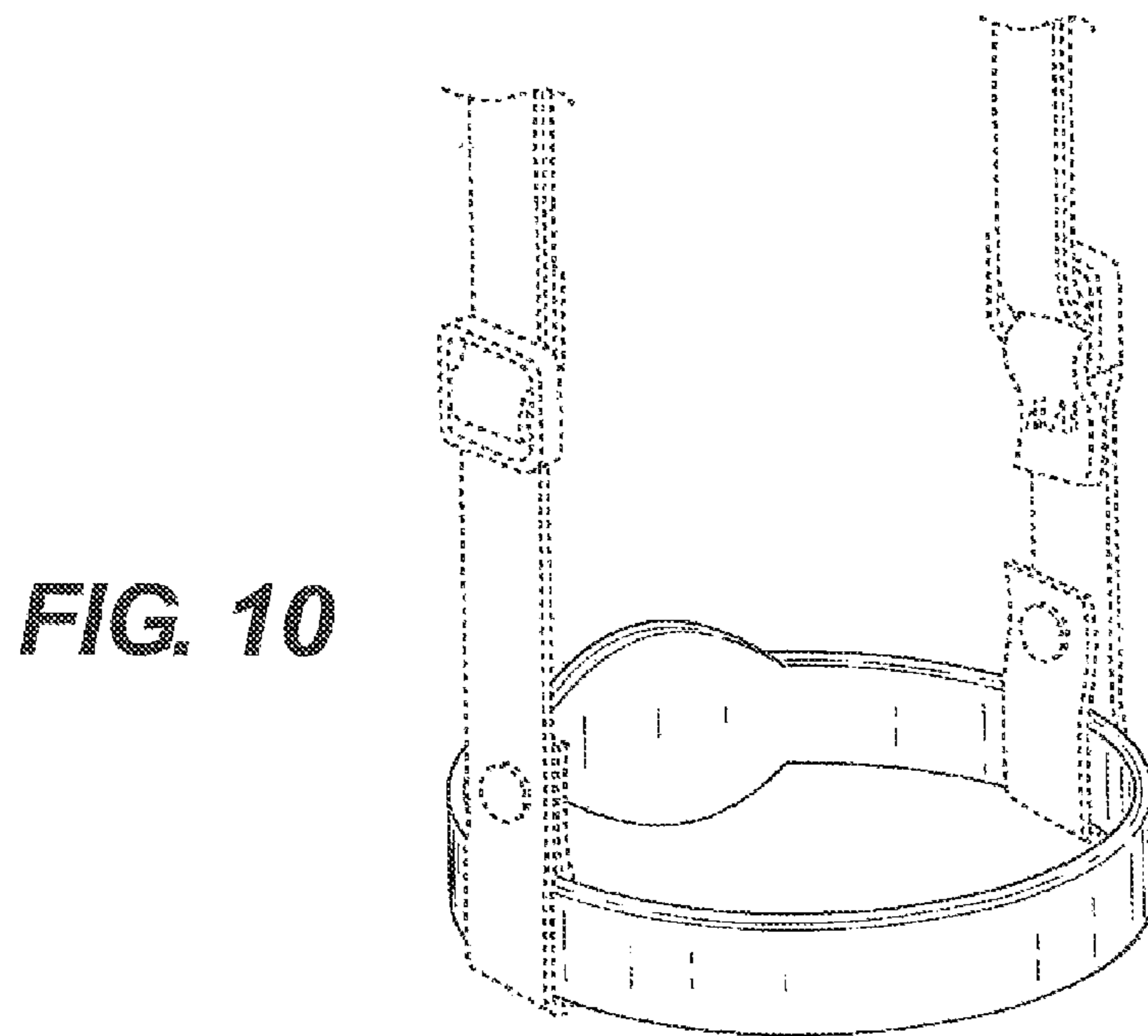


FIG. 10

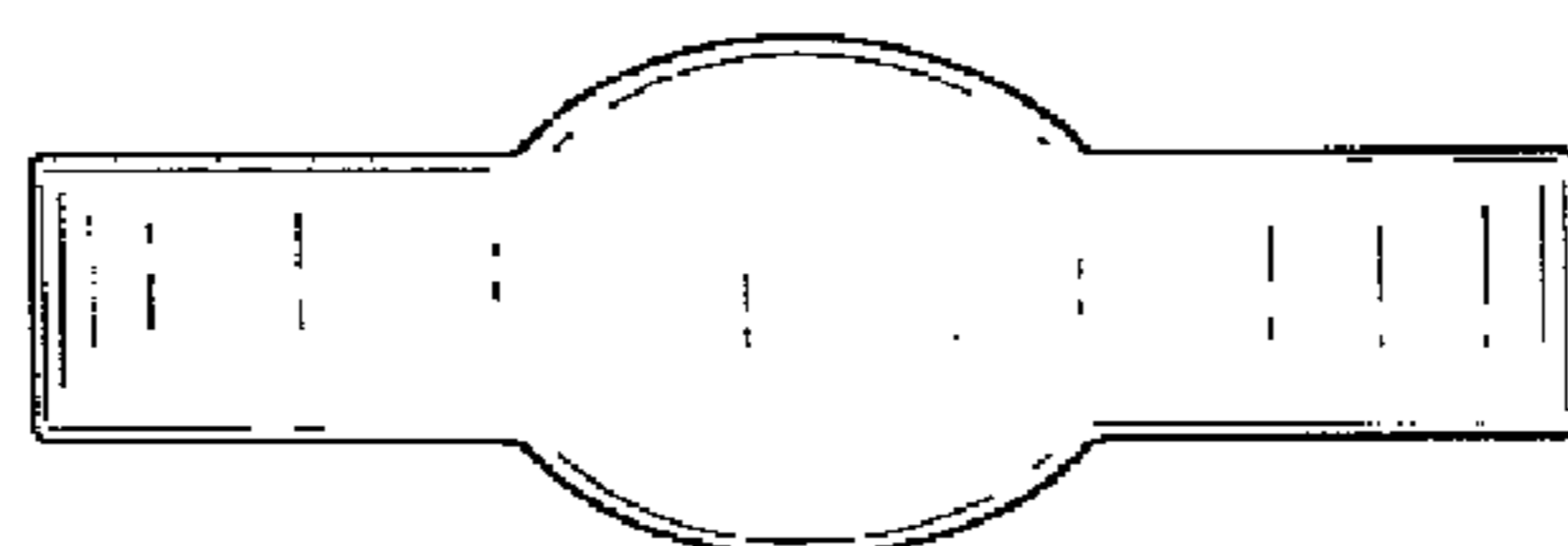


FIG. 11

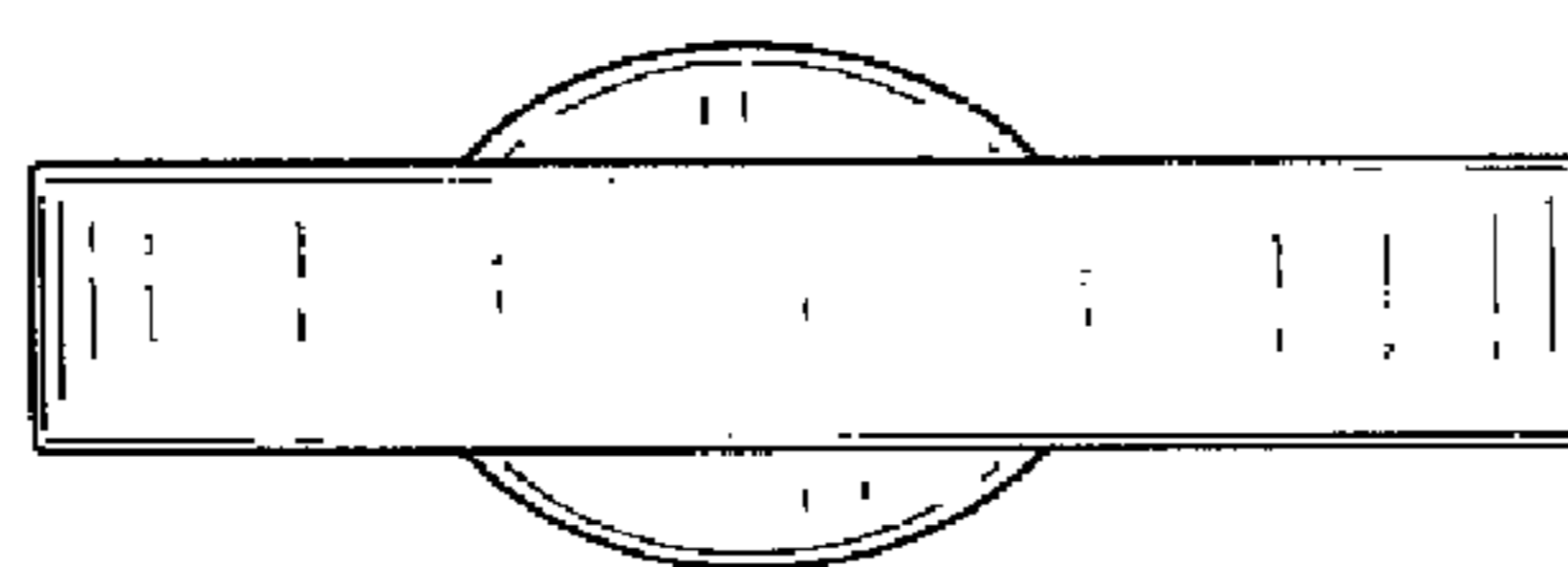


FIG. 12

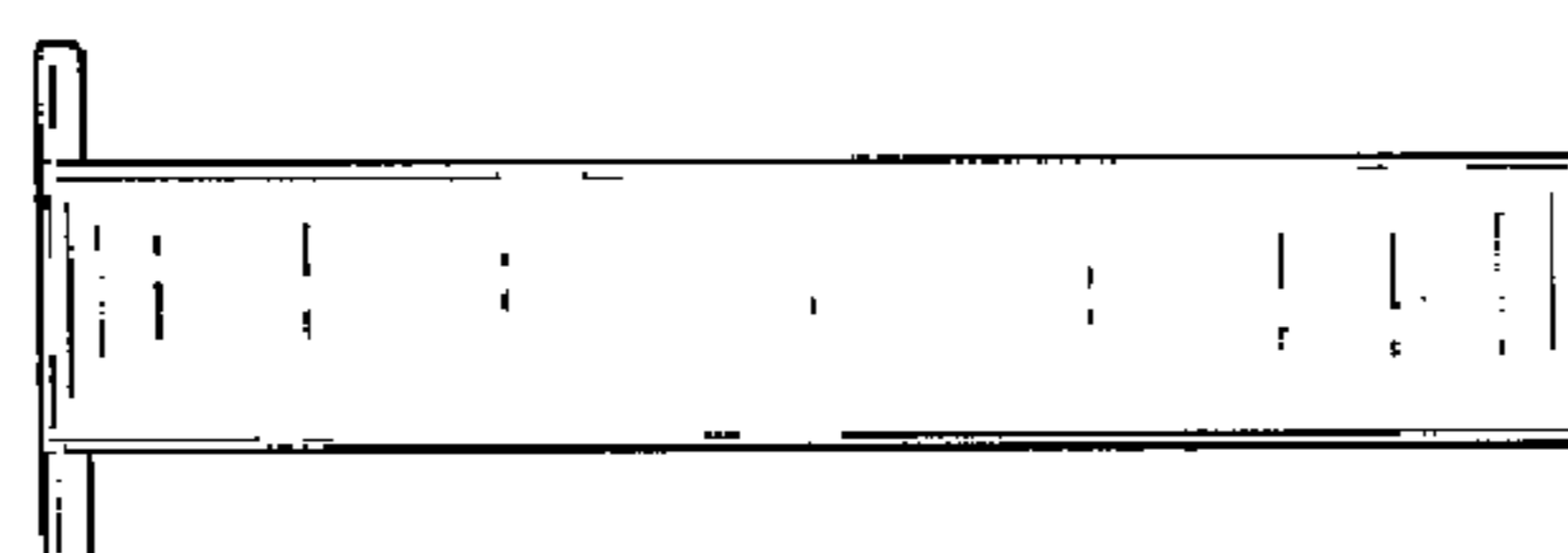


FIG. 13

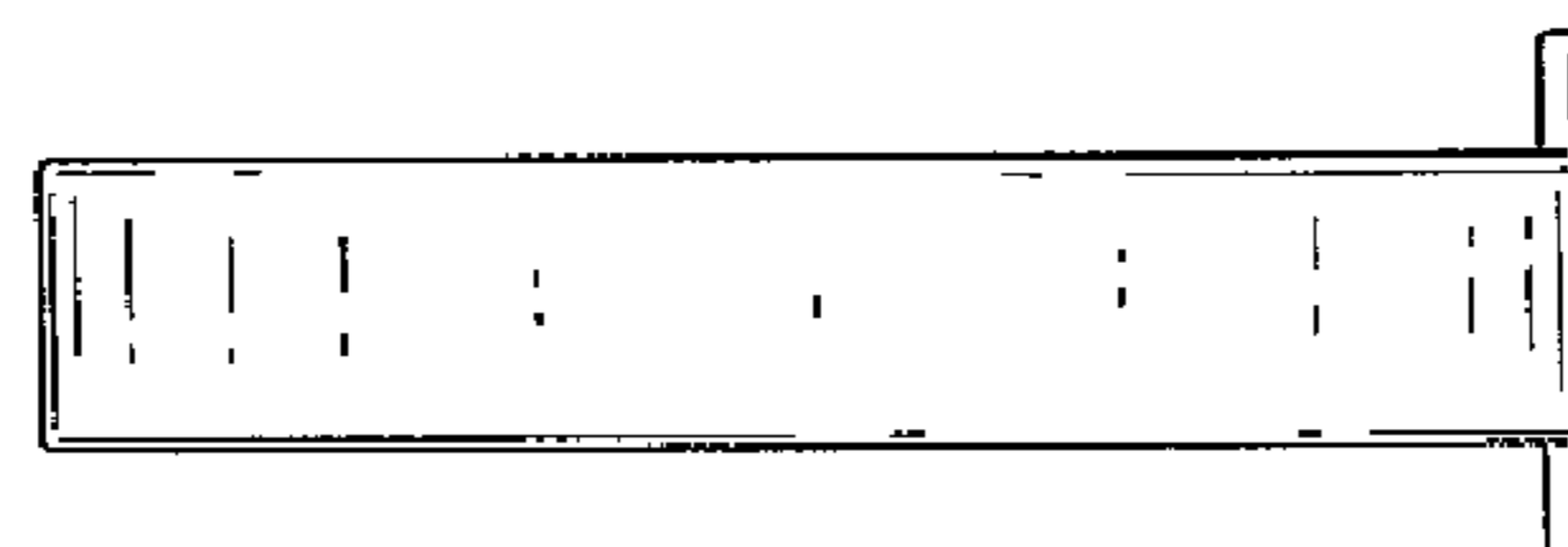


FIG. 14

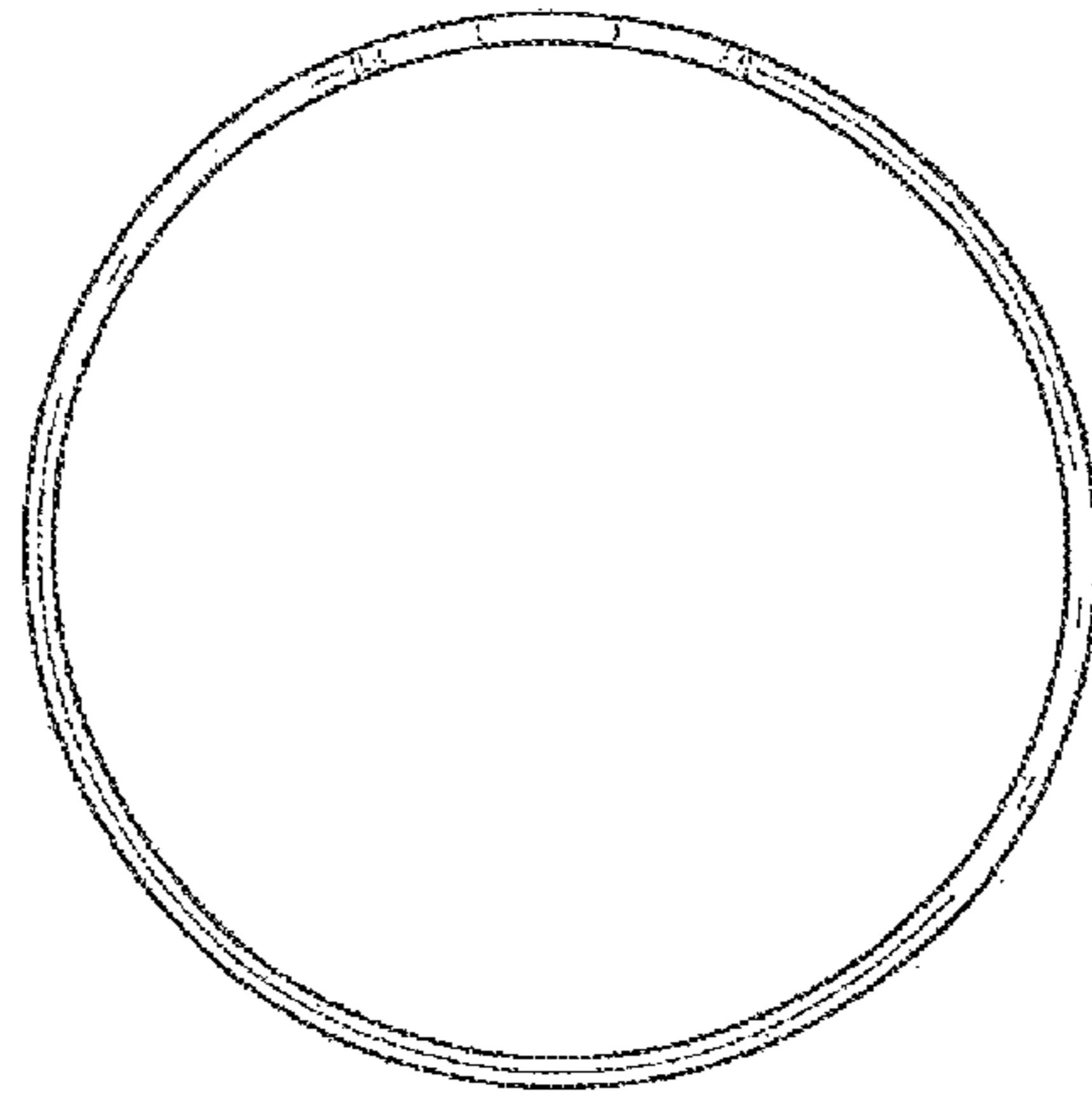


FIG. 15

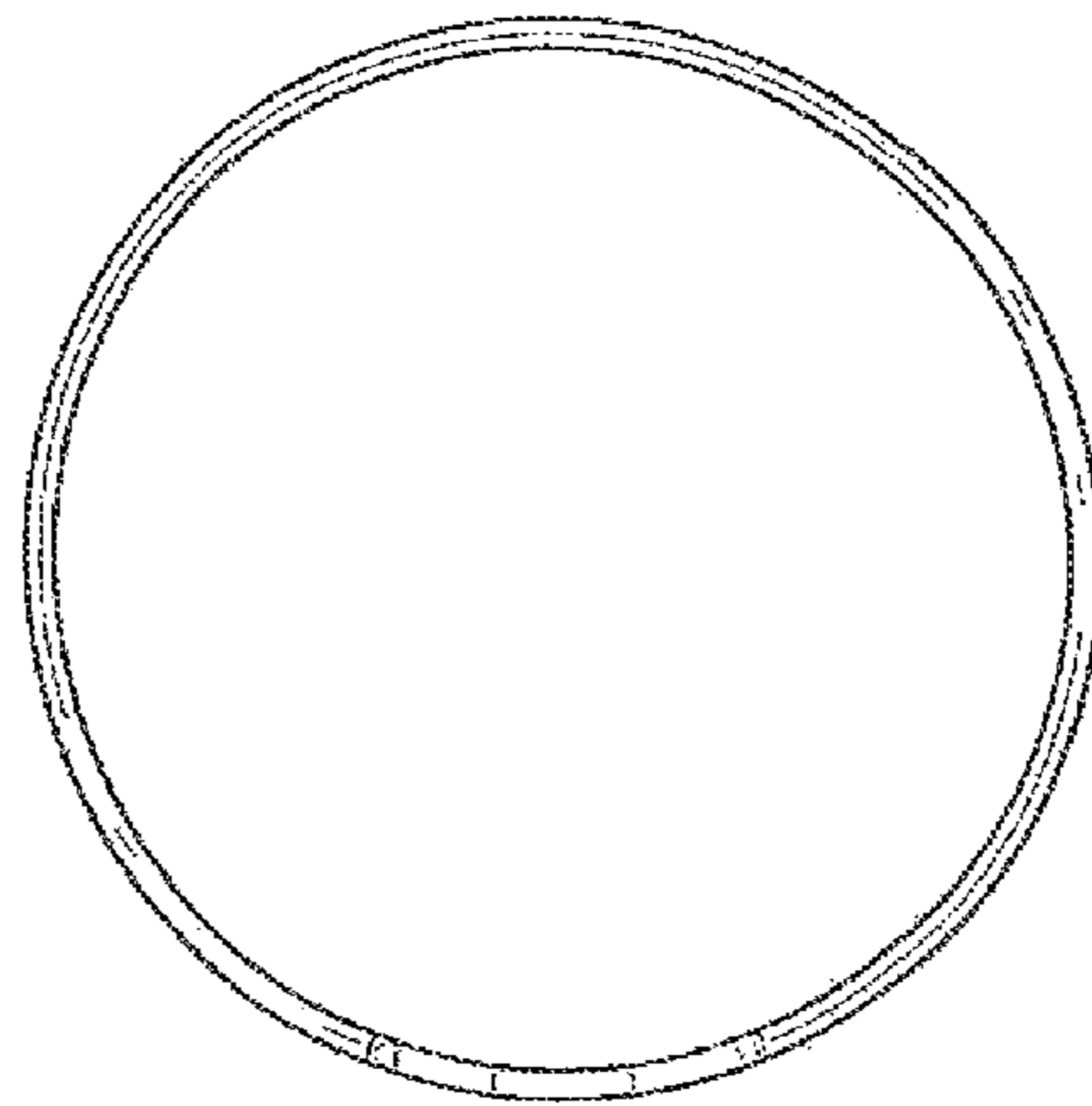


FIG. 16