



US00D672139S

(12) **United States Design Patent**  
**Liu**

(10) **Patent No.:** **US D672,139 S**

(45) **Date of Patent:** **\*\* Dec. 11, 2012**

(54) **TOOL HOLDER FOR ALLEN WRENCHES**

D555,354 S \* 11/2007 Chen ..... D3/228  
D560,906 S \* 2/2008 Meng ..... D3/228  
8,047,386 B2 \* 11/2011 Chen ..... 211/70.6

(76) Inventor: **Yi Feng Liu**, Hsinjuan (TW)

\* cited by examiner

(\*\*) Term: **14 Years**

*Primary Examiner* — Catheri Oliver-Garcia

(21) Appl. No.: **29/395,715**

(74) *Attorney, Agent, or Firm* — Charles E. Baxley

(22) Filed: **Mar. 16, 2012**

(57) **CLAIM**

The ornamental design for a tool holder for Allen wrenches, as shown and described.

**Related U.S. Application Data**

**DESCRIPTION**

(63) Continuation-in-part of application No. 12/930,838, filed on Jan. 19, 2011, now abandoned.

(51) **LOC (9) Cl.** ..... **03-01**

(52) **U.S. Cl.** ..... **D3/228**

(58) **Field of Classification Search** ..... D3/228;  
224/240–241, 245; 206/373, 376–379, 743,  
206/747, 755; 211/69, 70.6; 220/832, 843  
See application file for complete search history.

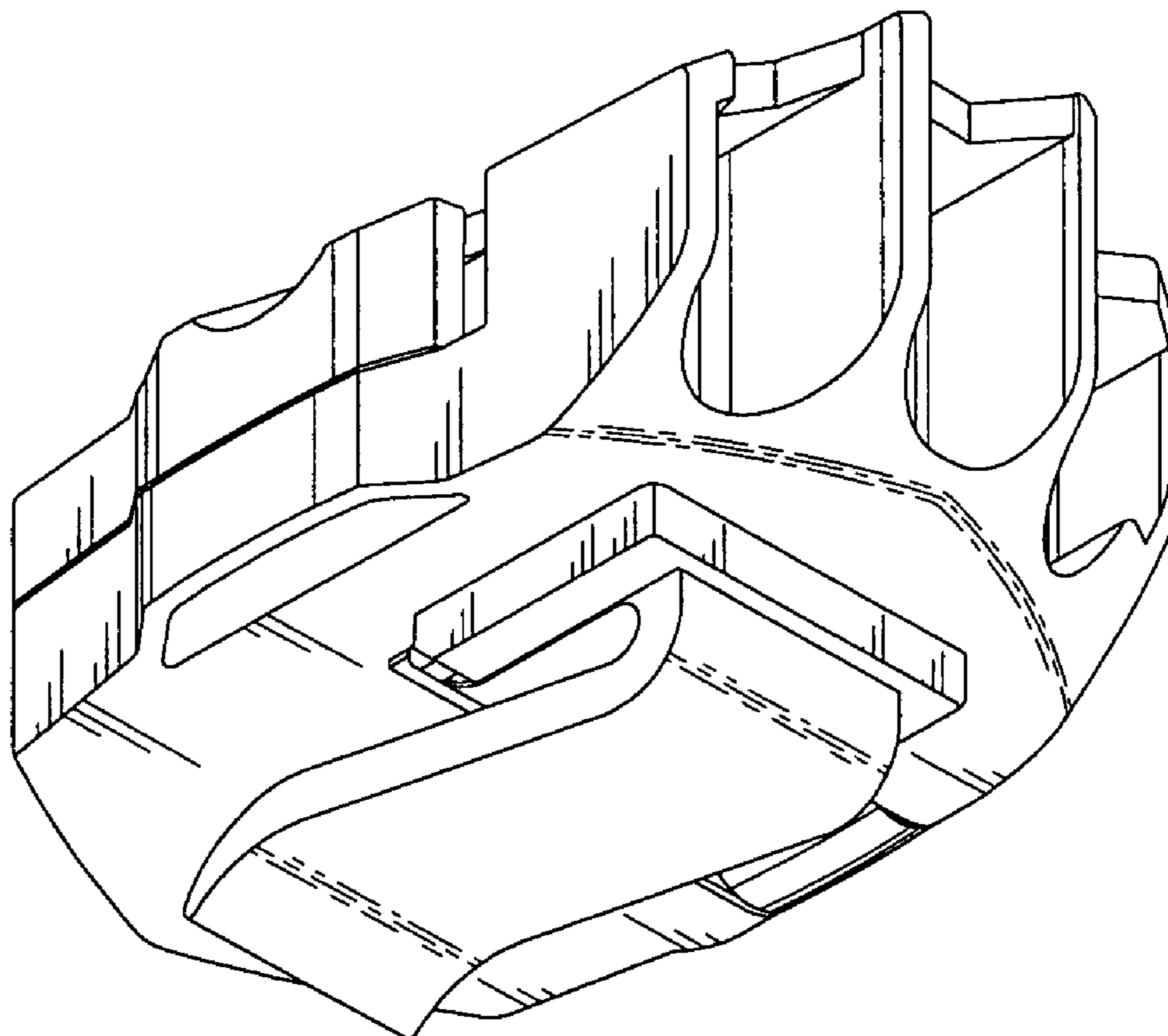
FIG. 1 is an upper perspective view of a tool holder for Allen wrenches showing my new design;  
FIG. 2 is a front elevational view thereof;  
FIG. 3 is a rear elevational view thereof;  
FIG. 4 is a top plan view thereof;  
FIG. 5 is a bottom plan view thereof;  
FIG. 6 is a left side elevational view thereof;  
FIG. 7 is a right side elevational view thereof;  
FIG. 8 is a bottom perspective view thereof; and,  
FIG. 9 is an upper perspective view thereof, the tool members depicted by means of broken lines being for illustrative purposes only and forming no part of the claimed design.

(56) **References Cited**

**U.S. PATENT DOCUMENTS**

D272,201 S \* 1/1984 Garcia ..... D3/228  
D436,436 S \* 1/2001 Lin ..... D3/228  
D532,603 S \* 11/2006 Chen ..... D3/228  
7,188,726 B2 \* 3/2007 Lin ..... 206/373

**1 Claim, 5 Drawing Sheets**



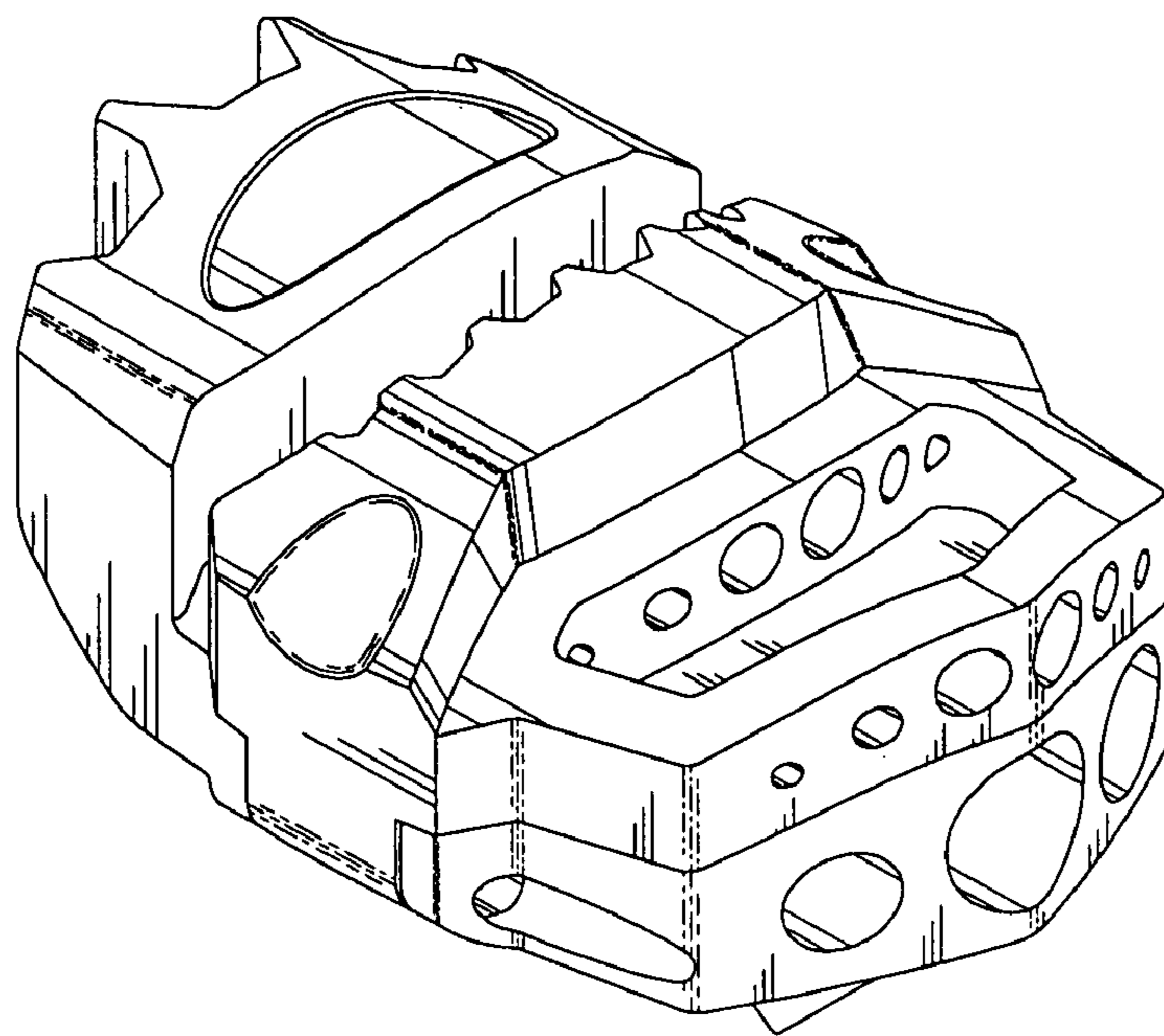


FIG. 1

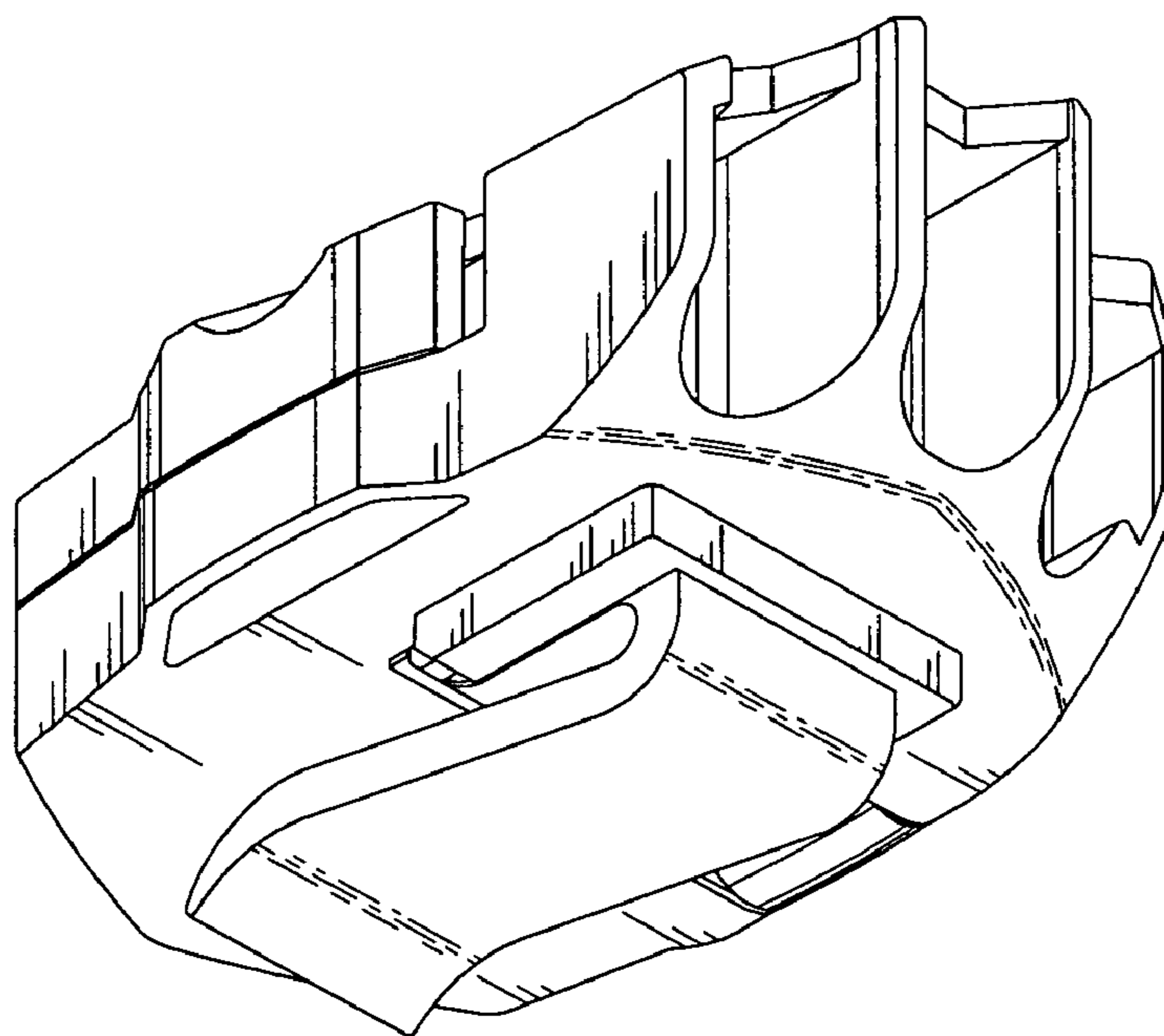


FIG. 8

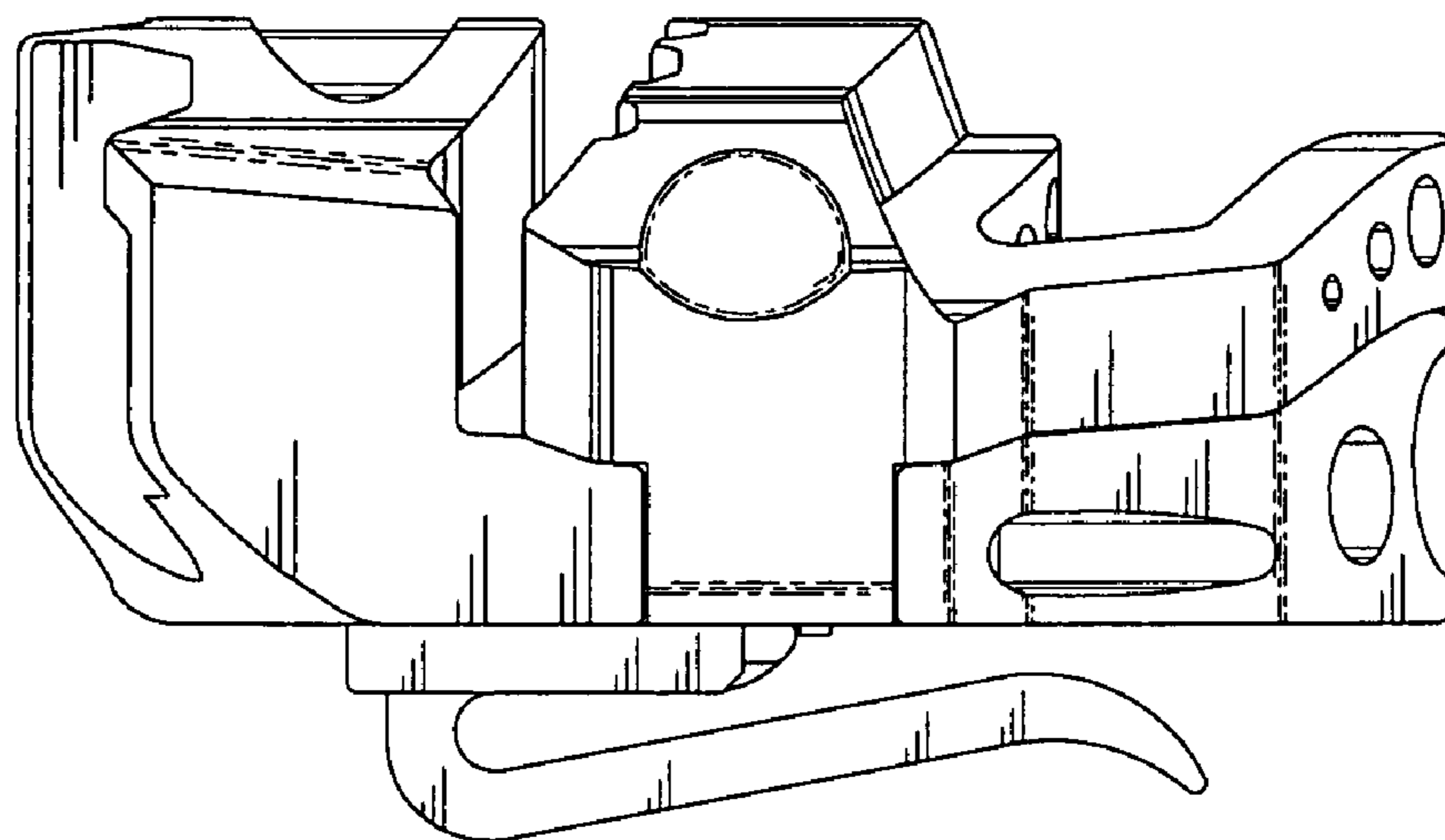


FIG. 2

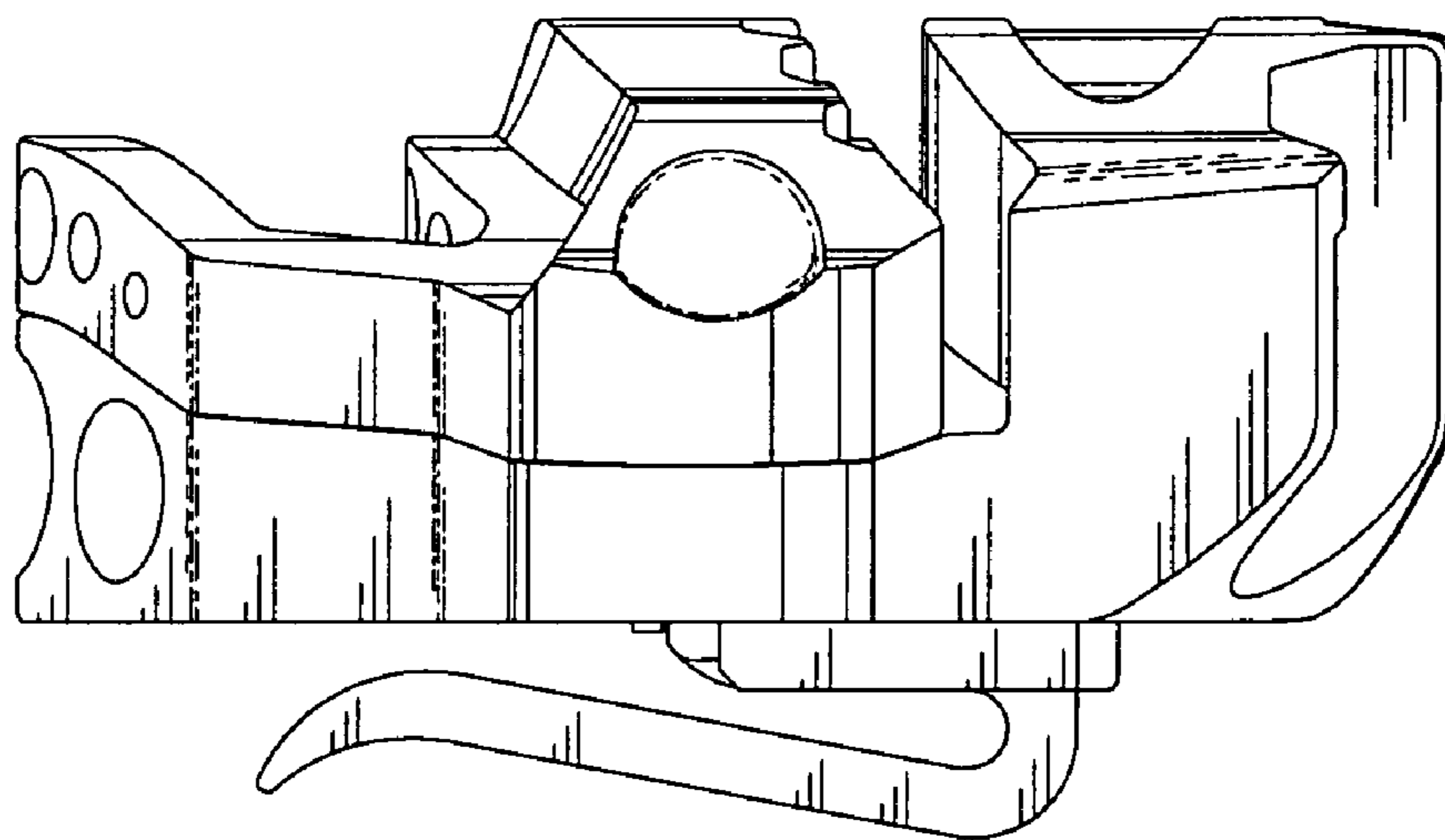


FIG. 3

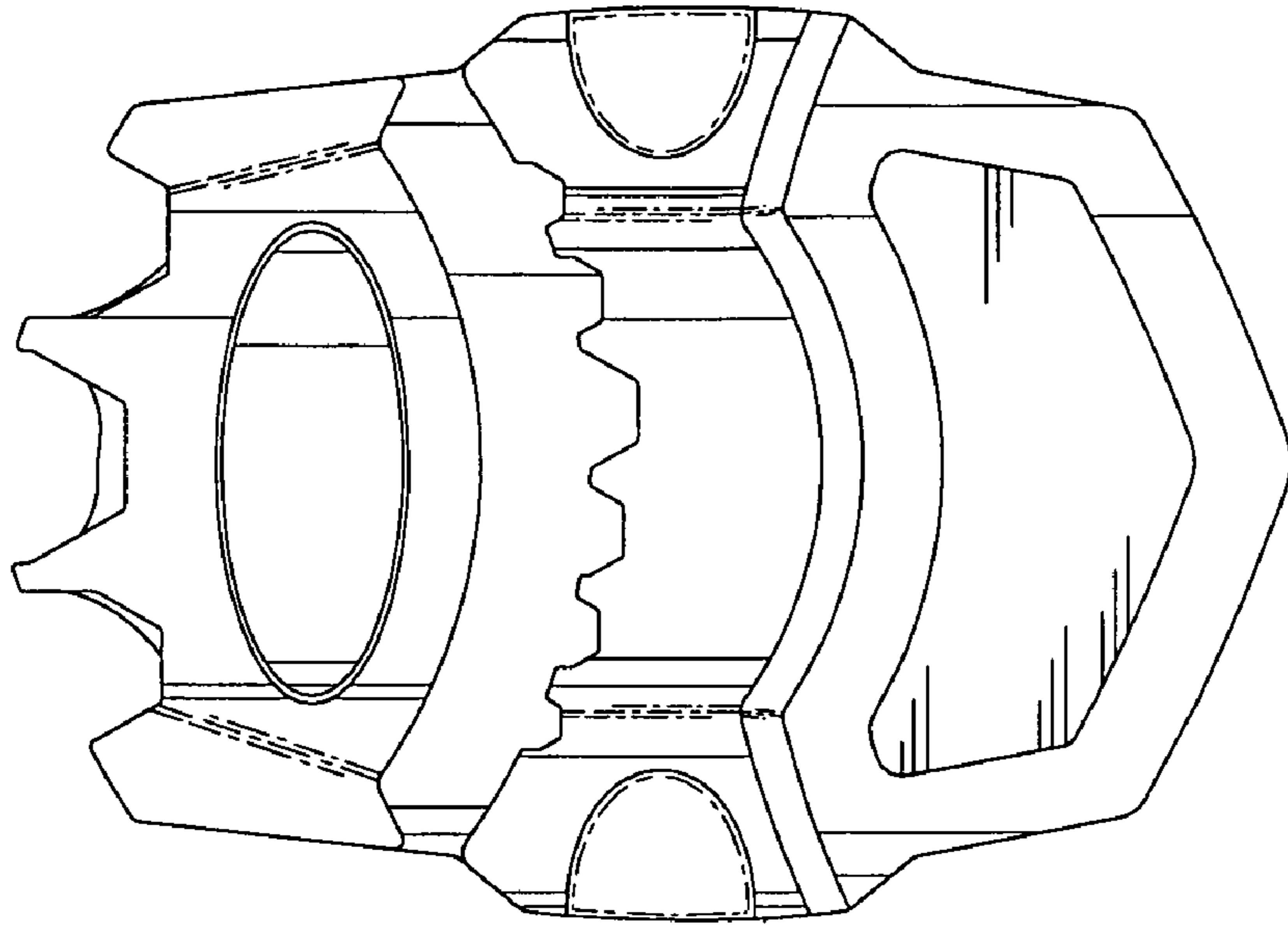


FIG. 4

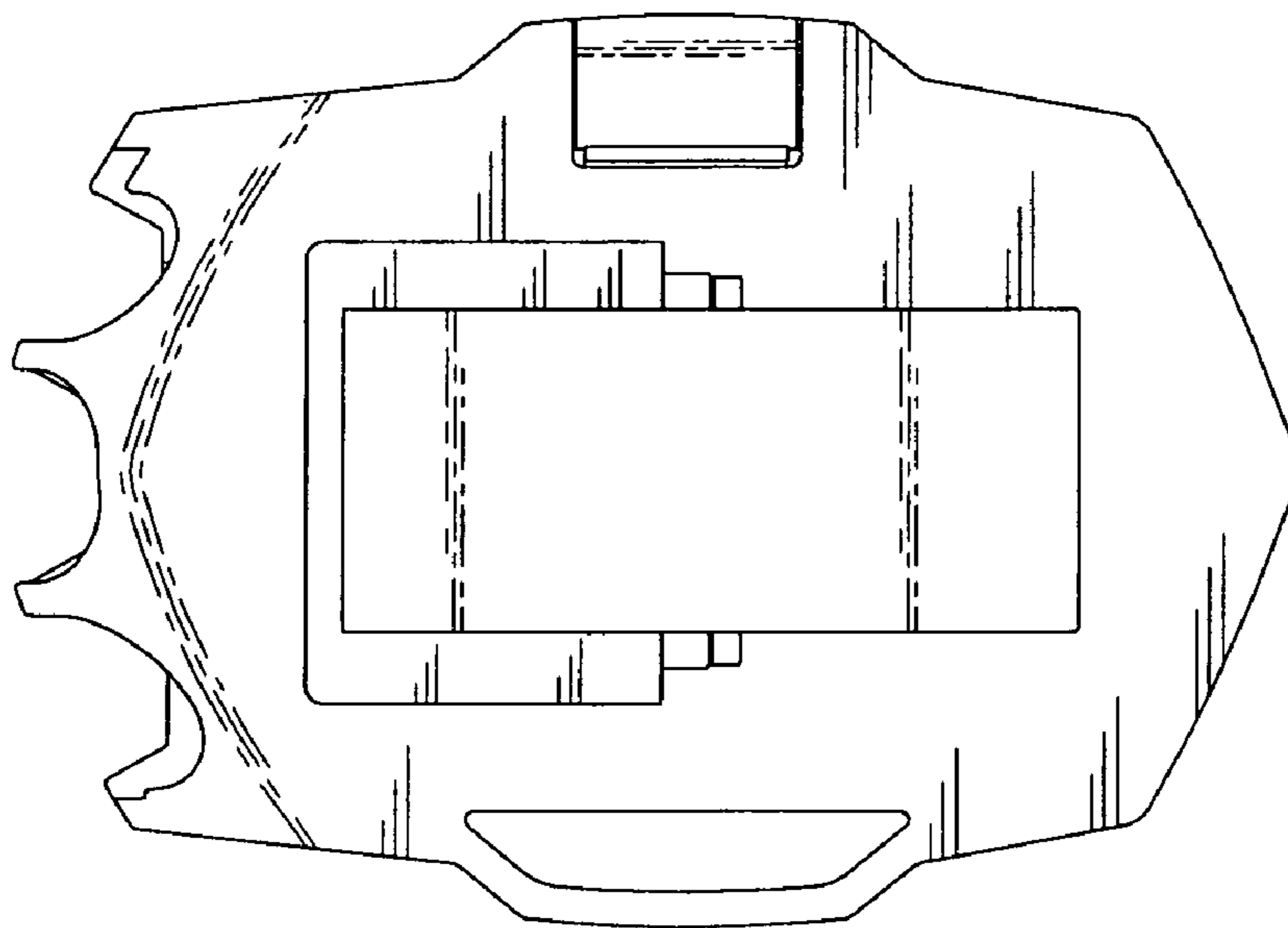


FIG. 5

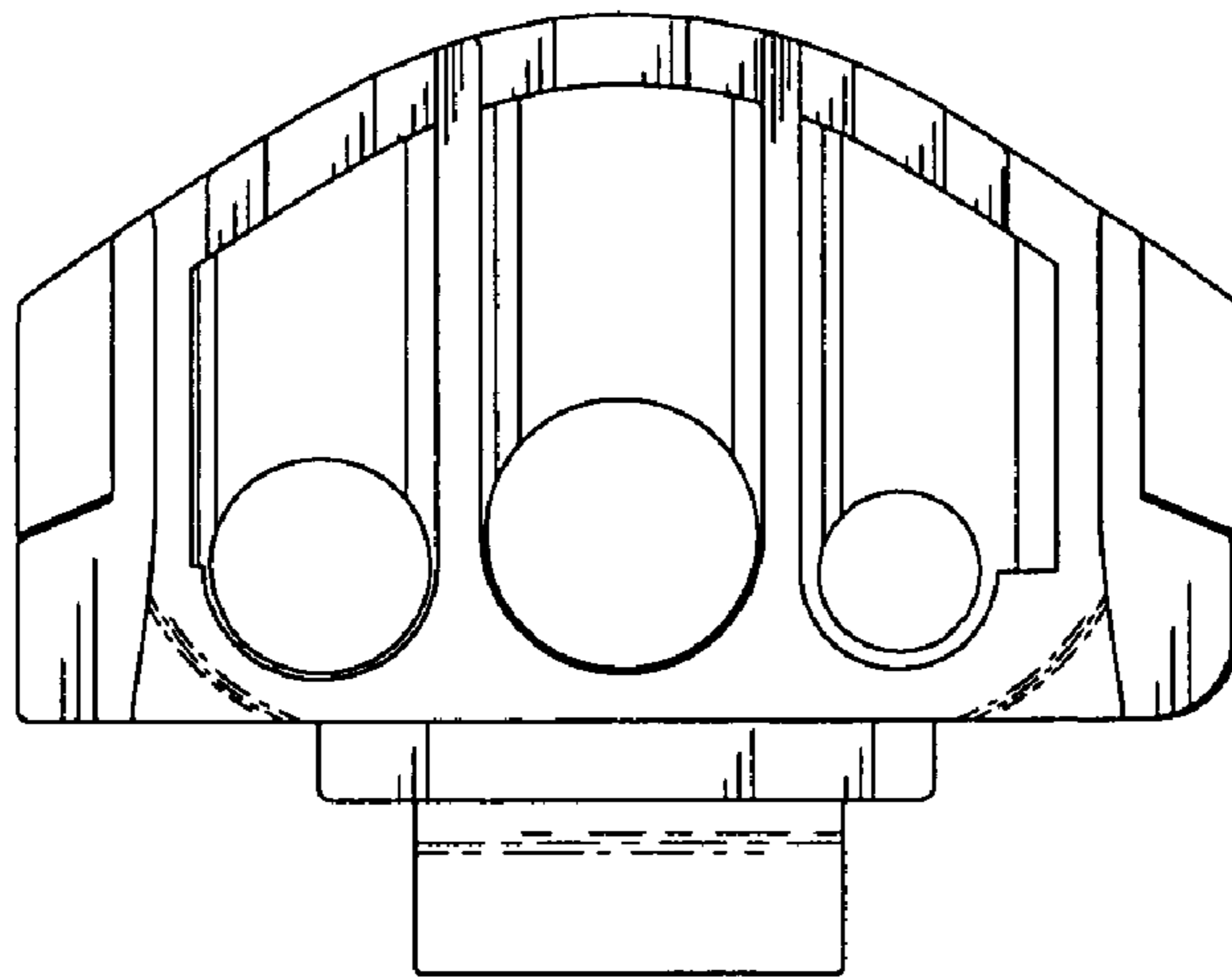


FIG. 6

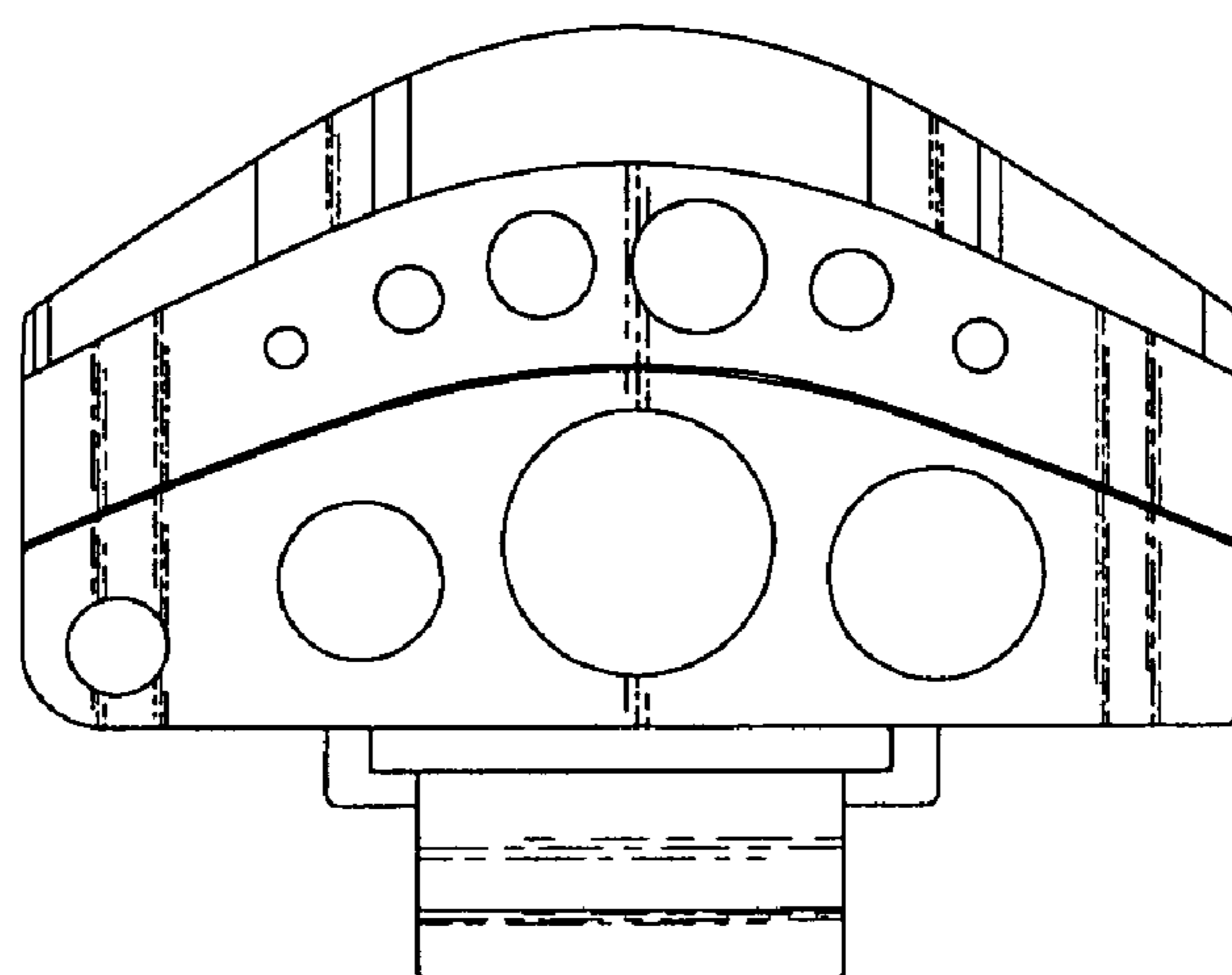


FIG. 7

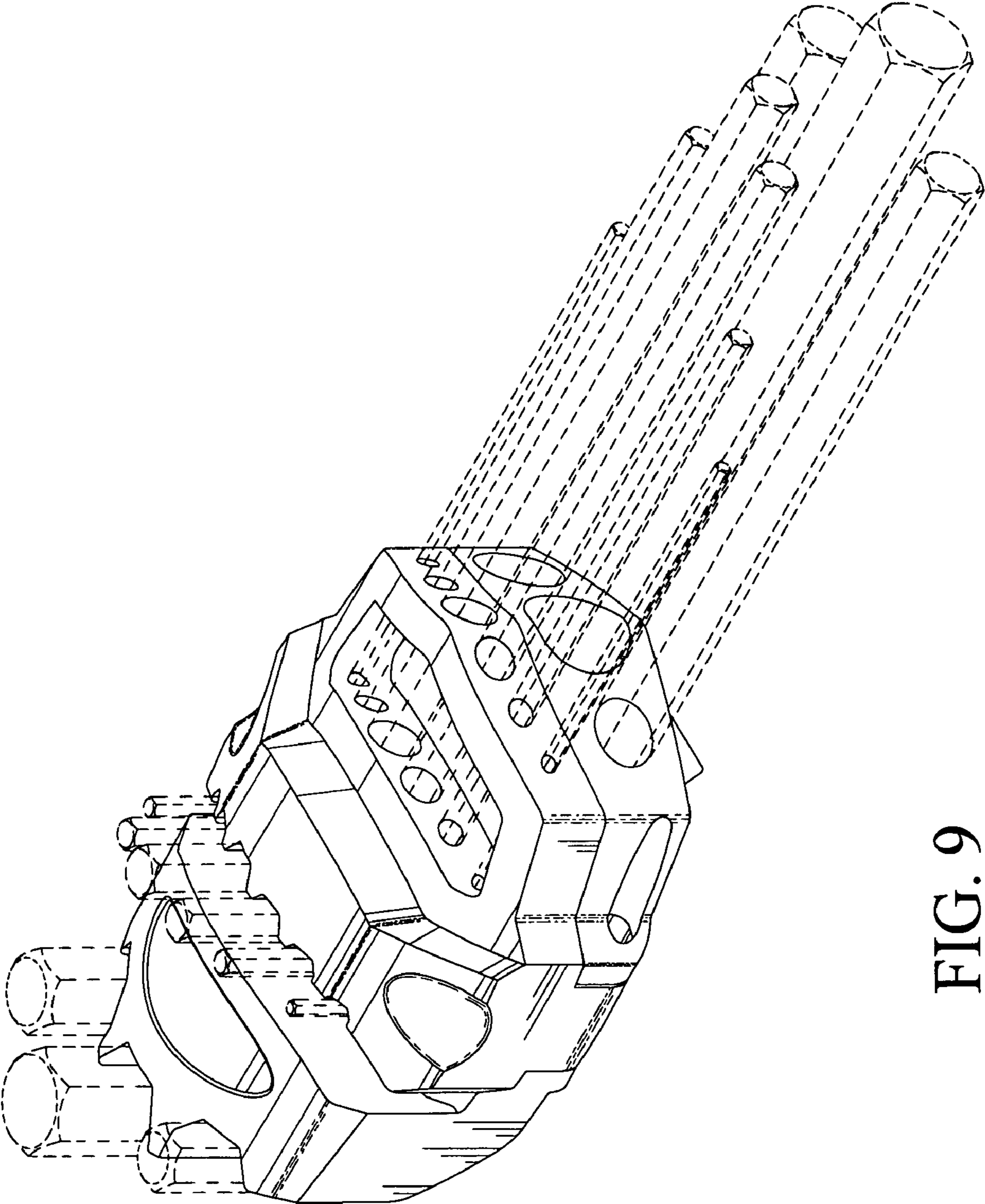


FIG. 9