



US00D672138S

(12) **United States Design Patent**
Hale

(10) **Patent No.:** **US D672,138 S**
(45) **Date of Patent:** **** Dec. 11, 2012**

(54) **STRAP POCKET COVER**

(76) Inventor: **Emily M. Hale**, Louisville, KY (US)

(**) Term: **14 Years**

(21) Appl. No.: **29/372,388**

(22) Filed: **Nov. 15, 2010**

(51) **LOC (9) Cl.** **03-01**

(52) **U.S. Cl.** **D3/215**

(58) **Field of Classification Search** D3/215,
D3/224, 226, 201, 327; 224/264, 600, 664,
224/667, 669, 676-677, 901.2; D2/639;
2/268; 297/482

See application file for complete search history.

(56) **References Cited**

U.S. PATENT DOCUMENTS

D275,153	S	*	8/1984	Weinreb	D3/327
4,601,418	A	*	7/1986	Gruzensky	224/222
D363,154	S	*	10/1995	Petty	D2/639
5,566,871	A	*	10/1996	Weintraub	224/264
5,595,332	A	*	1/1997	Freedman	224/264
5,595,336	A	*	1/1997	Everdyke	227/7
D435,171	S	*	12/2000	Anderson	D3/327
D465,324	S	*	11/2002	Matthew	D3/226
D489,890	S	*	5/2004	Gorham, Jr.	D2/639
D518,632	S	*	4/2006	Montgomery	D3/226
7,121,628	B2	*	10/2006	Lo	297/482

D617,551 S * 6/2010 Siekman et al. D3/226

* cited by examiner

Primary Examiner — Catheri Oliver-Garcia

(74) *Attorney, Agent, or Firm* — Carrithers Law Office
PLLC; David W. Carrithers

(57) **CLAIM**

The ornamental design for a strap pocket cover, as shown and described.

DESCRIPTION

FIG. 1 is a perspective view of the strap pocket cover showing my new design;

FIG. 2 is a top view thereof;

FIG. 3 is a bottom view thereof;

FIG. 4 is a left side view thereof;

FIG. 5 is a right side view thereof;

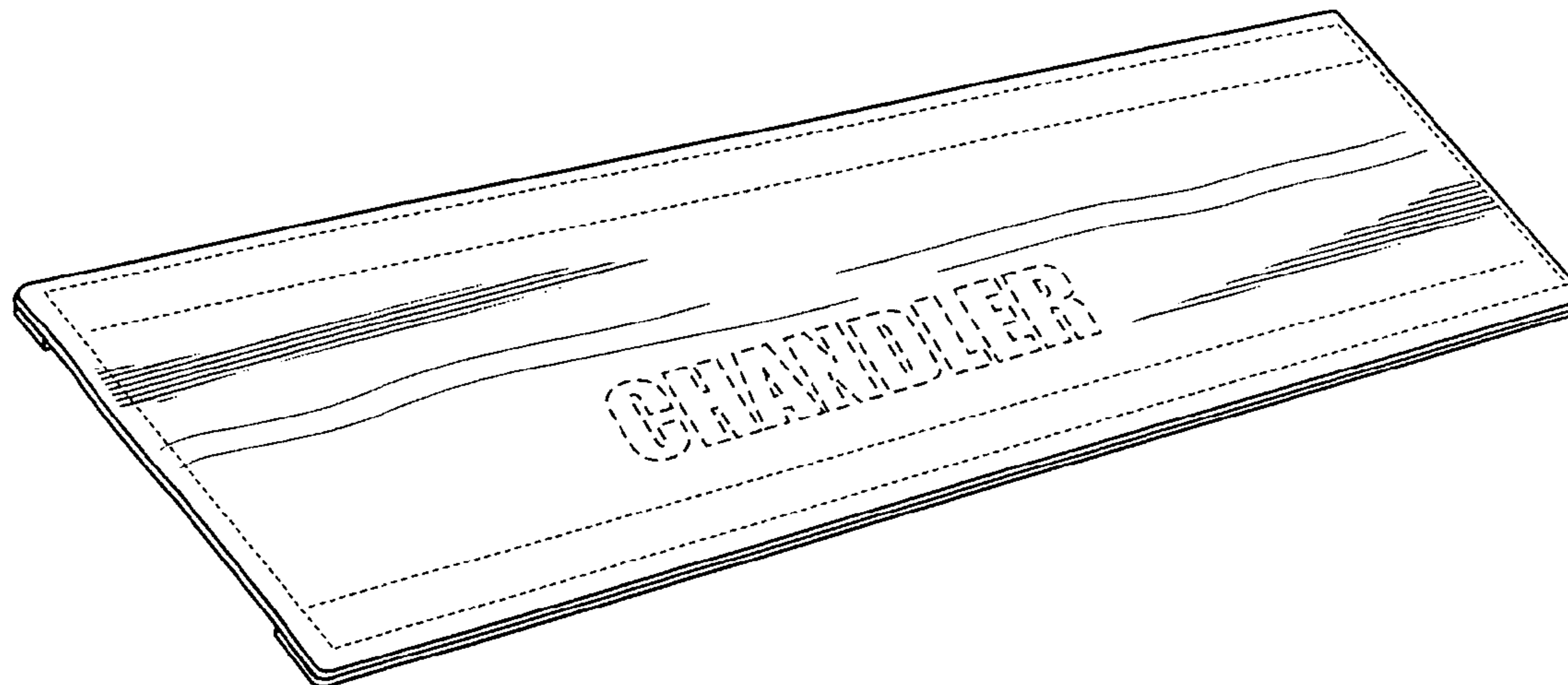
FIG. 6 is a front end view thereof;

FIG. 7 is a rear end view thereof; and,

FIG. 8 is a perspective front view showing the strap pocket cover covering a strap with the strap and advertising indicia shown in phantom lines.

The broken lines showing the strap and advertising indicia are for illustrative purposes only and form no part of the claimed design.

1 Claim, 2 Drawing Sheets



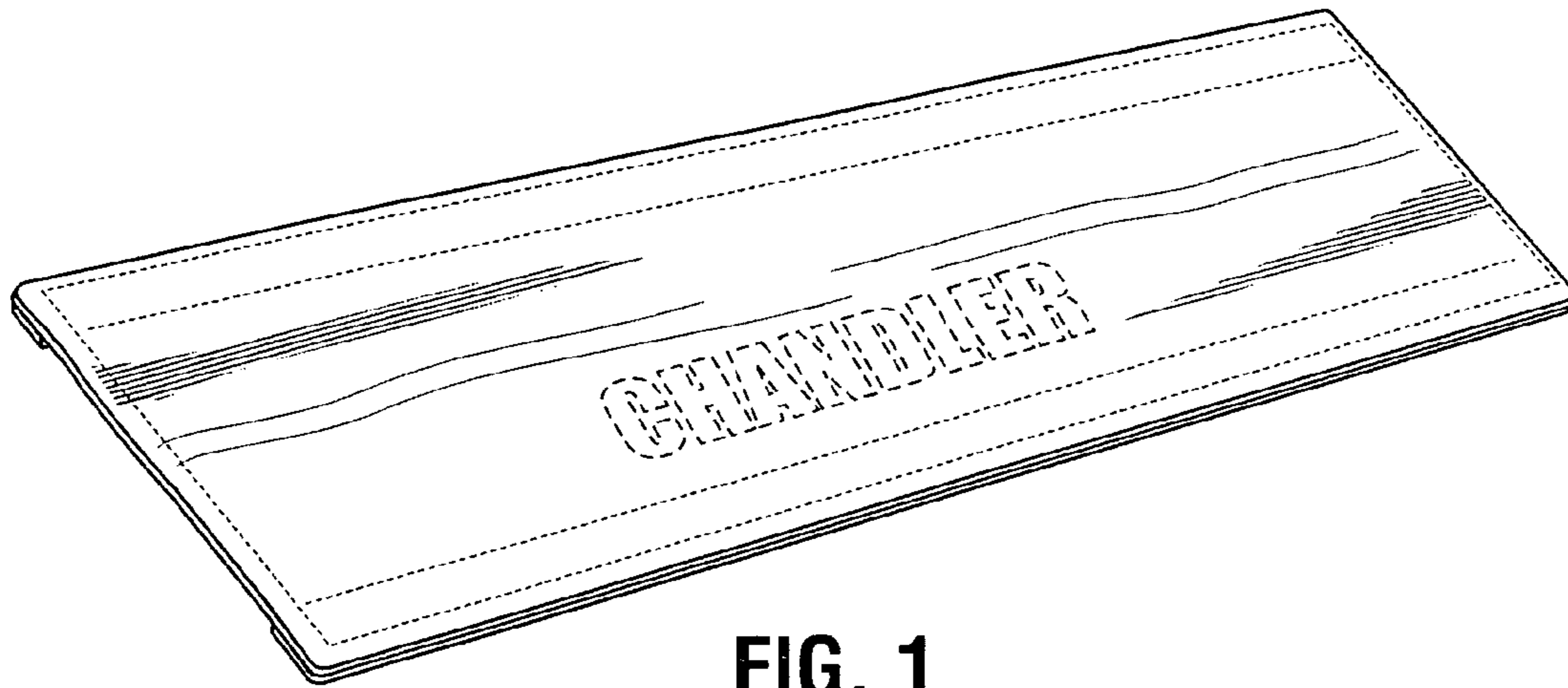


FIG. 1

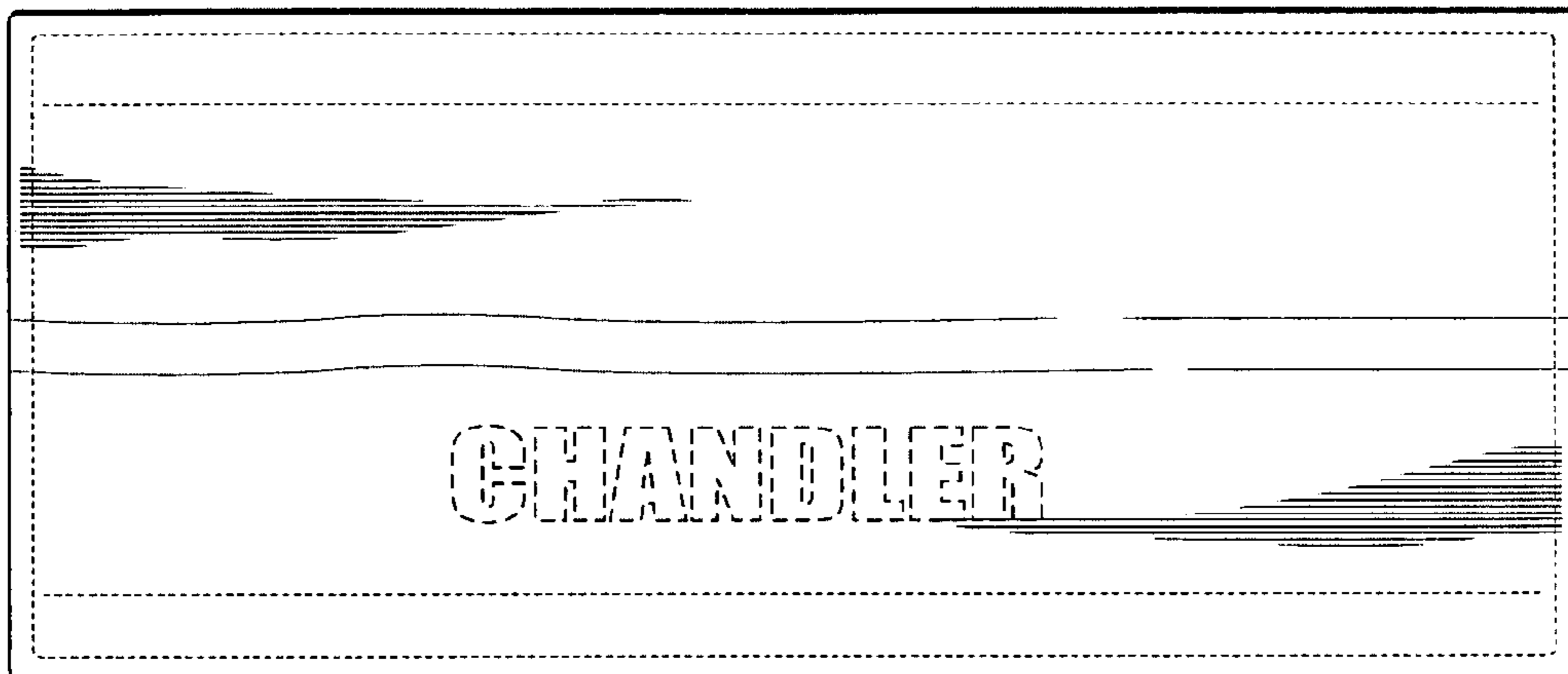


FIG. 2

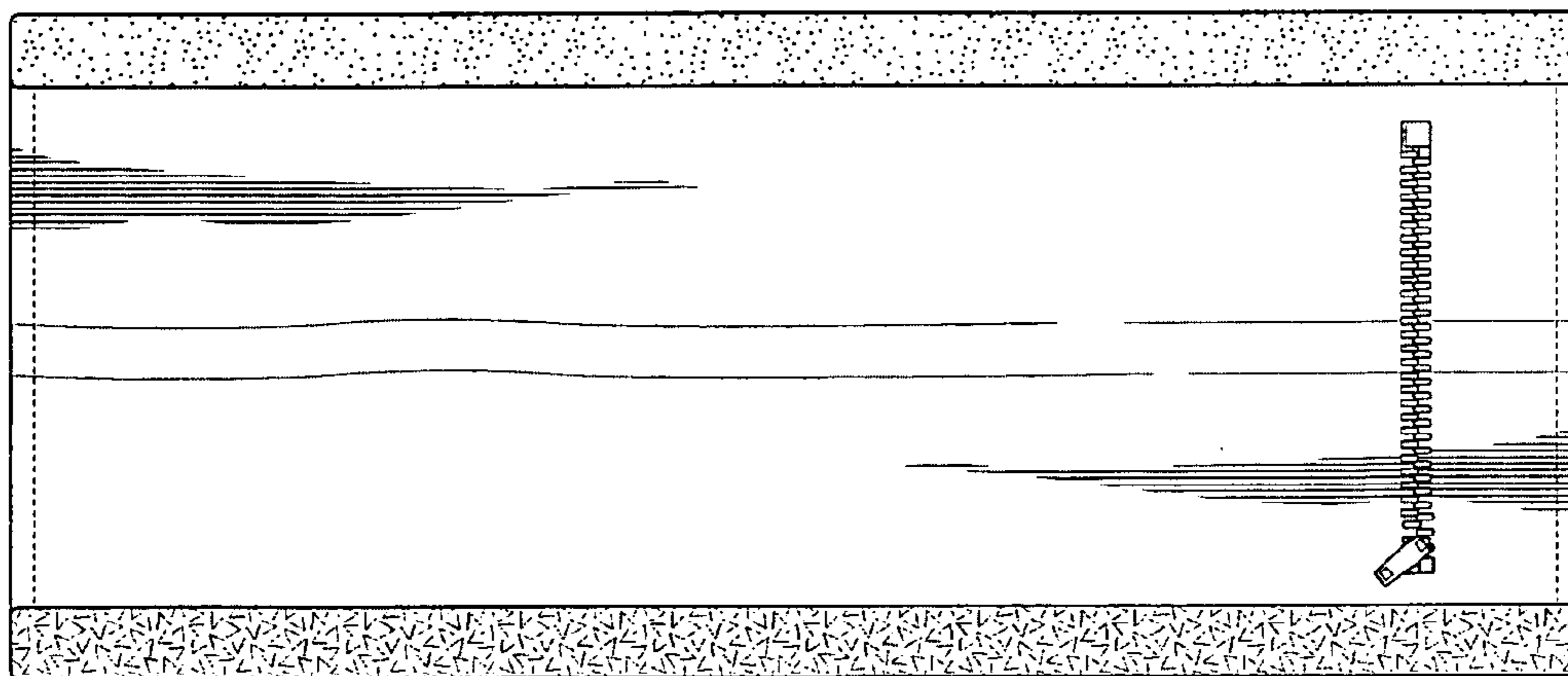


FIG. 3

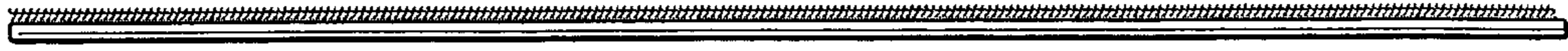


FIG. 4

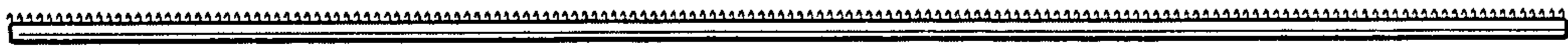


FIG. 5

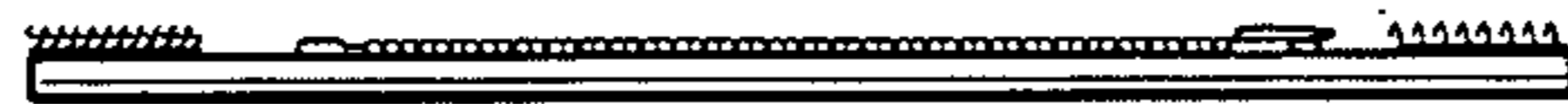


FIG. 6



FIG. 7

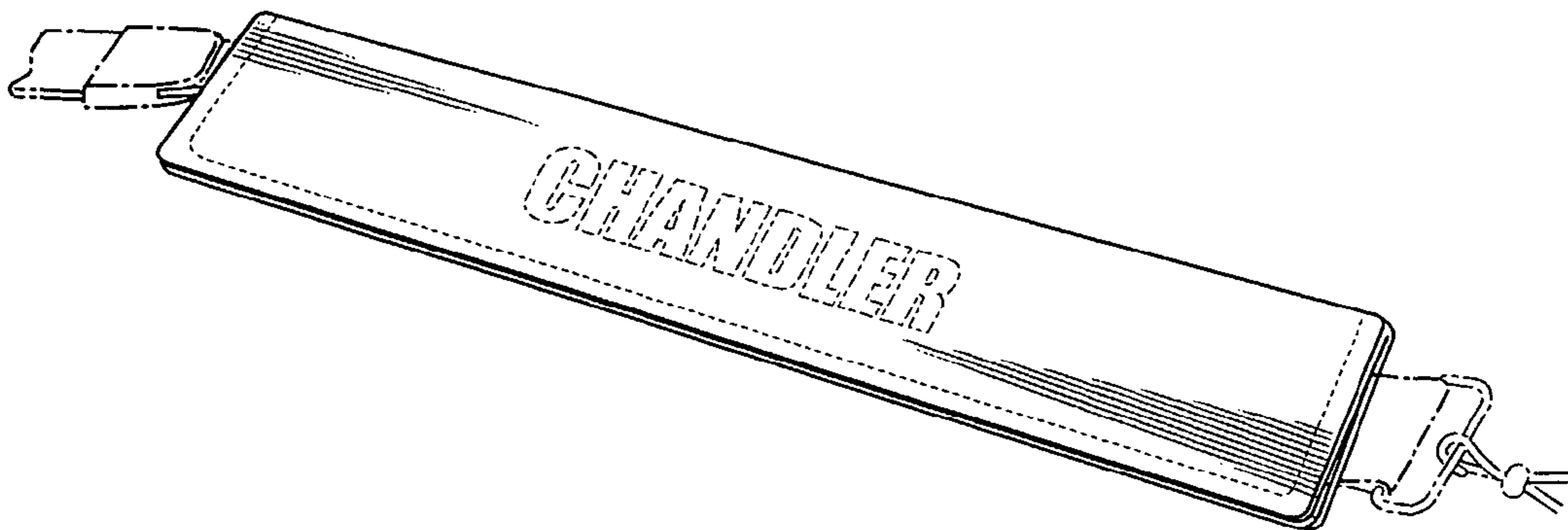


FIG. 8