



US00D672115S

(12) **United States Design Patent**  
**Auf der Maur**

(10) **Patent No.:** **US D672,115 S**  
(45) **Date of Patent:** **\*\* Dec. 4, 2012**

(54) **GRIPPER PART**

(75) Inventor: **Konrad Auf der Maur**, Gossau (CH)  
(73) Assignee: **Ferag AG**, Hinwil (CH)  
(\*\*) Term: **14 Years**  
(21) Appl. No.: **29/424,578**  
(22) Filed: **Jun. 13, 2012**

**Related U.S. Application Data**

(62) Division of application No. 29/390,594, filed on Apr. 27, 2011.

**Foreign Application Priority Data**

Oct. 29, 2010 (WO) ..... DM/074 683

(51) **LOC (9) Cl.** ..... **12-05**  
(52) **U.S. Cl.** ..... **D34/35**  
(58) **Field of Classification Search** ..... D34/35,  
D34/29; 198/851, 838, 853, 825; 104/93,  
104/153, 106, 150; 271/99, 10.04, 10.01,  
271/11, 10.11; D15/28, 32

See application file for complete search history.

(56) **References Cited**

U.S. PATENT DOCUMENTS

D142,093	S	8/1945	Kennedy
4,299,381	A	11/1981	Smith
4,570,543	A	2/1986	Ishikura et al.
D301,179	S	5/1989	Miller
5,125,637	A	6/1992	Glaser
D367,143	S	2/1996	Sauber
D373,883	S	9/1996	Dillard
D448,908	S	10/2001	Kangas et al.
D459,047	S	6/2002	Tanaka
6,616,137	B2	9/2003	Kaya
7,252,209	B2	8/2007	Julius
D586,074	S	2/2009	Auf der Maur

*Primary Examiner* — Cynthia Ramirez

(74) *Attorney, Agent, or Firm* — Rankind, Hill & Clark LLP

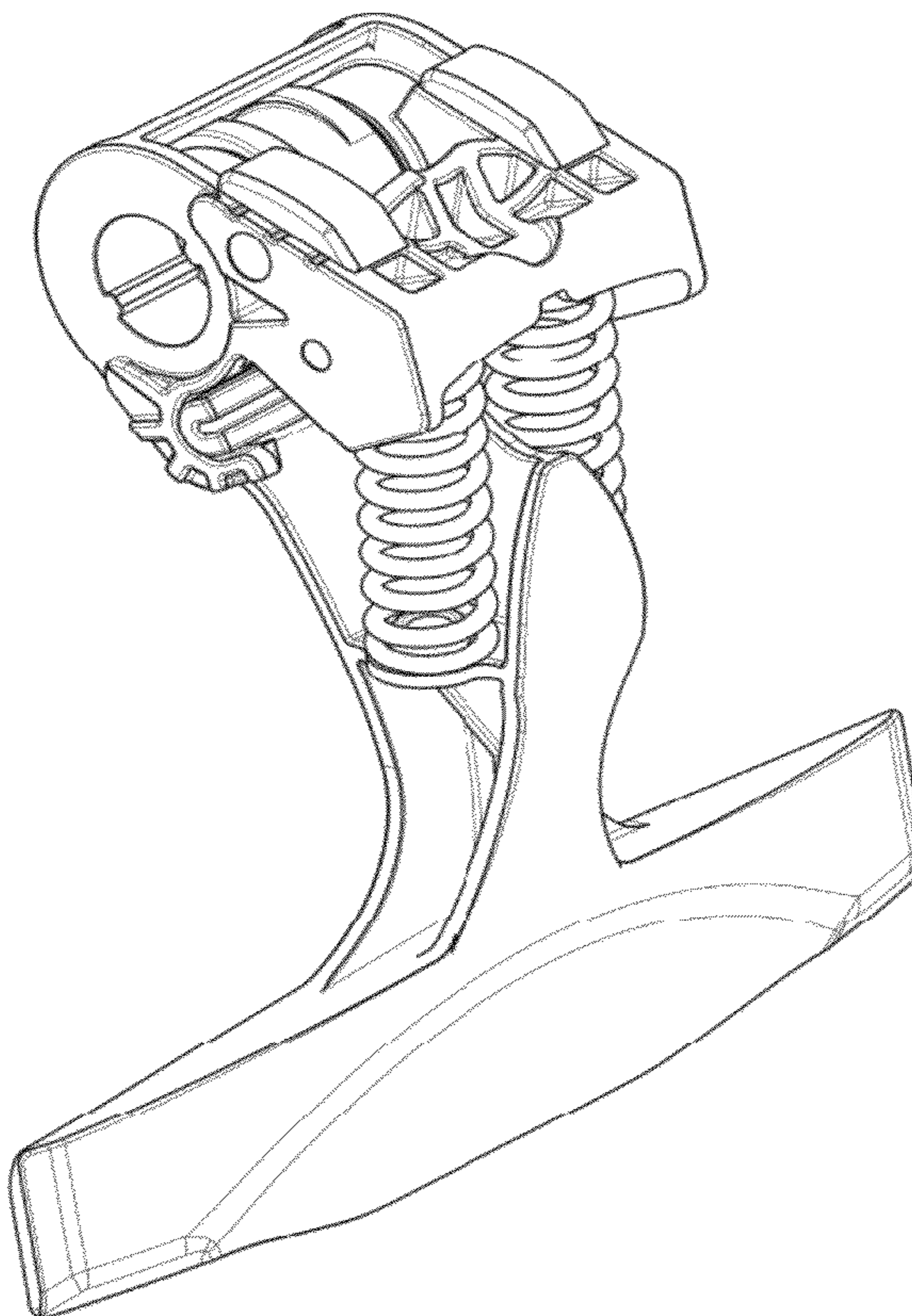
(57) **CLAIM**

The ornamental design for a gripper part, as shown and described.

**DESCRIPTION**

FIG. 1 is a front perspective view of a gripper part embodying our design;  
FIG. 2 is a rear perspective view thereof;  
FIG. 3 is a right side view thereof;  
FIG. 4 is a left side view thereof;  
FIG. 5 is a top view thereof;  
FIG. 6 is a bottom view thereof;  
FIG. 7 is a front view thereof; and,  
FIG. 8 is a rear view thereof.

**1 Claim, 8 Drawing Sheets**



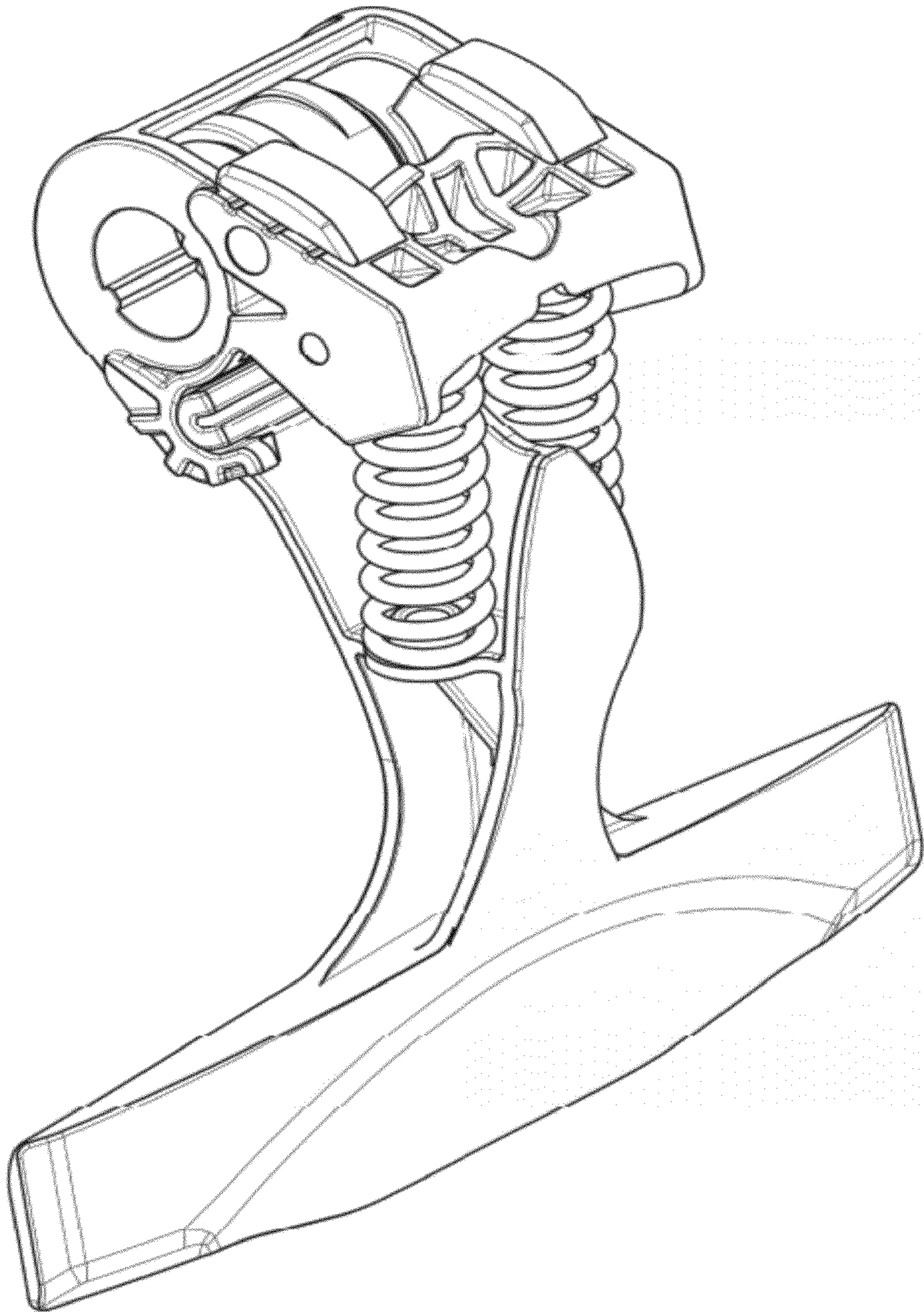


Fig. 1



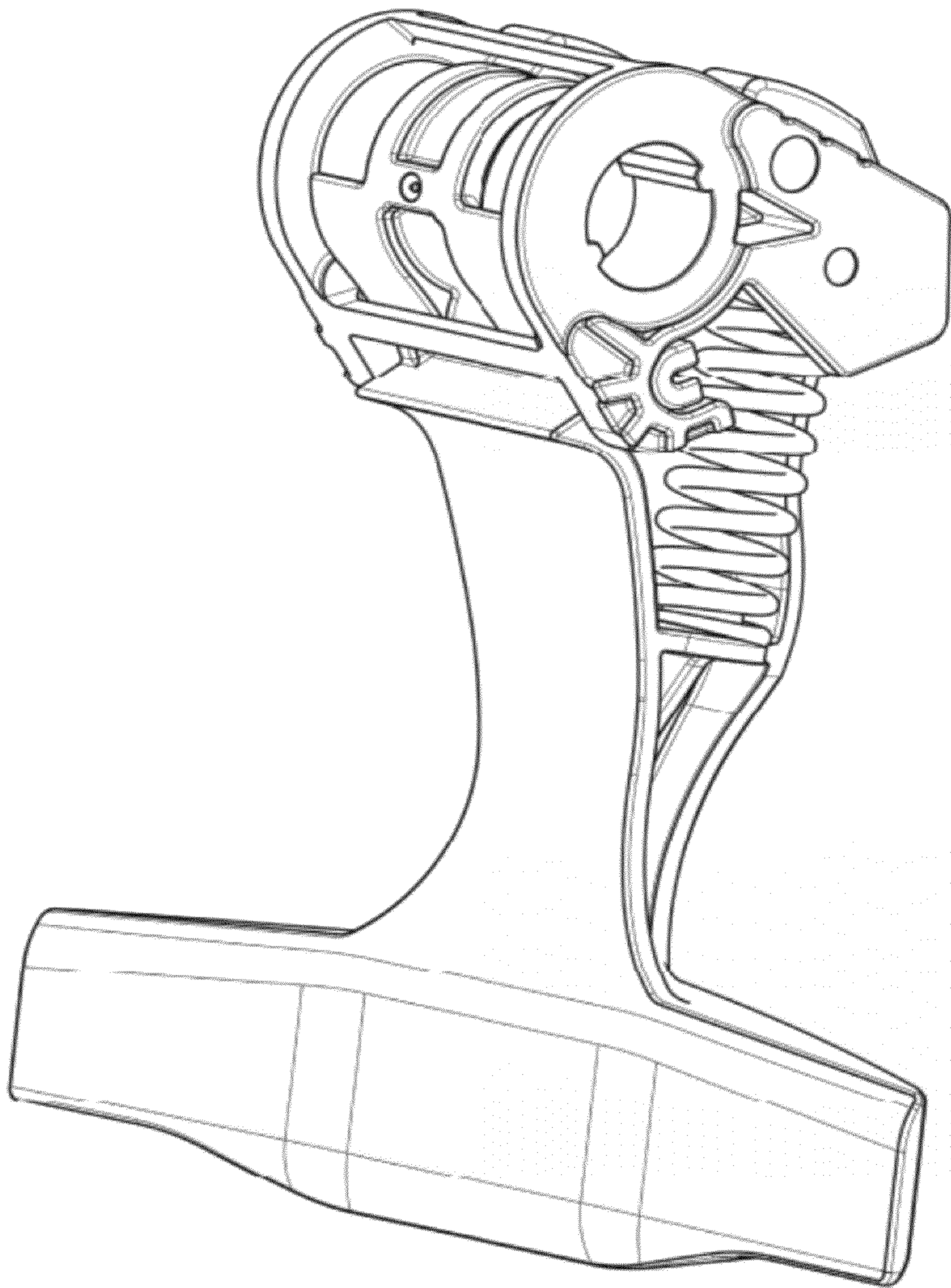


Fig. 2



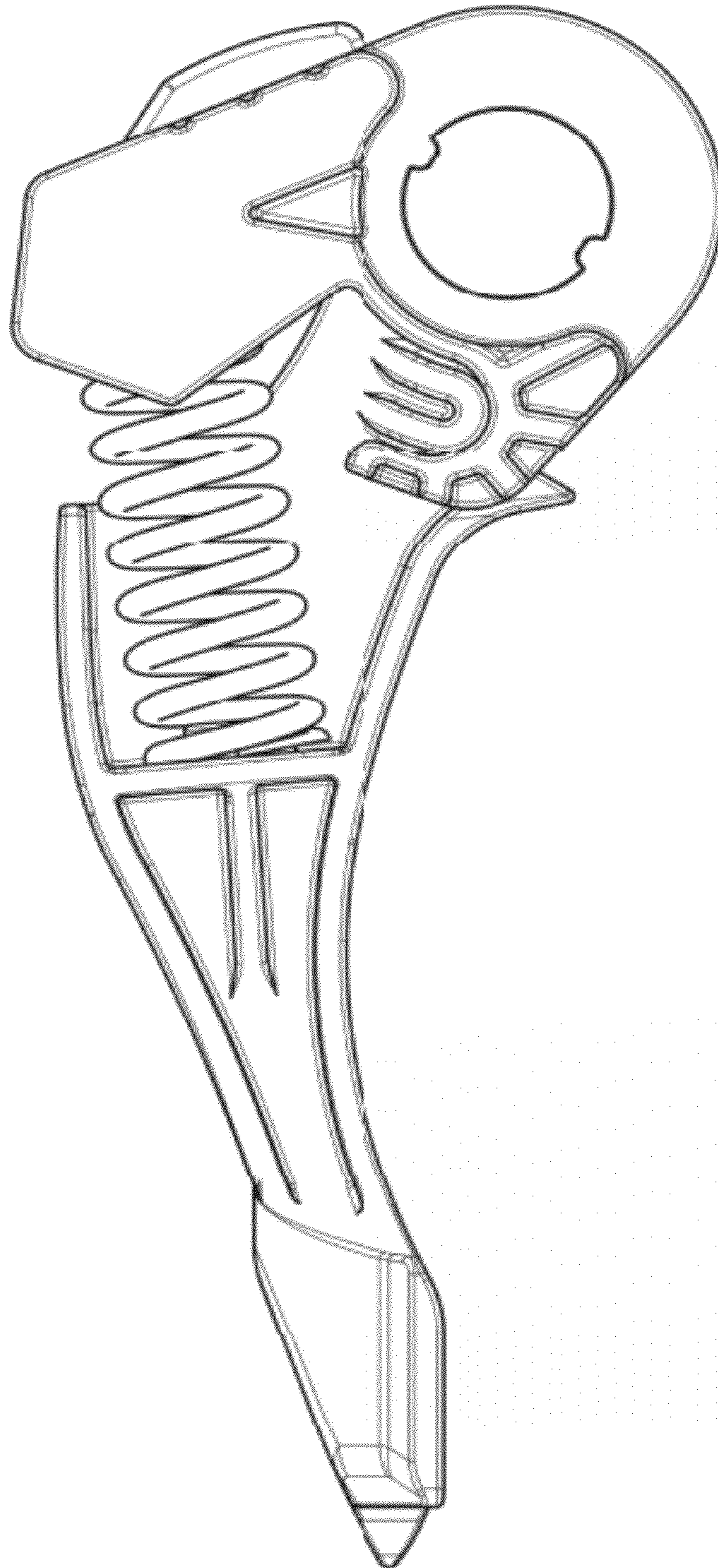


Fig. 3

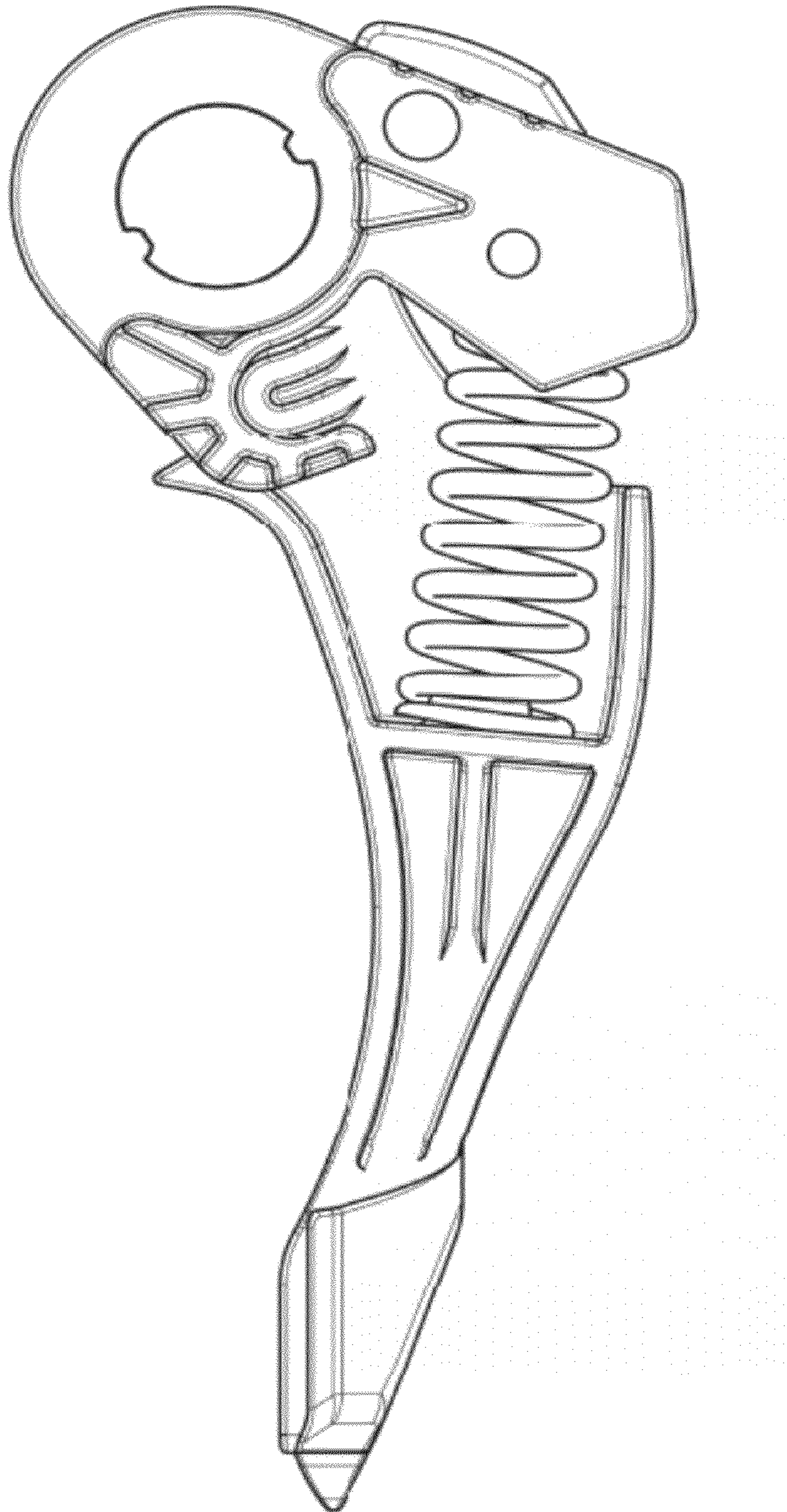


FIG. 4



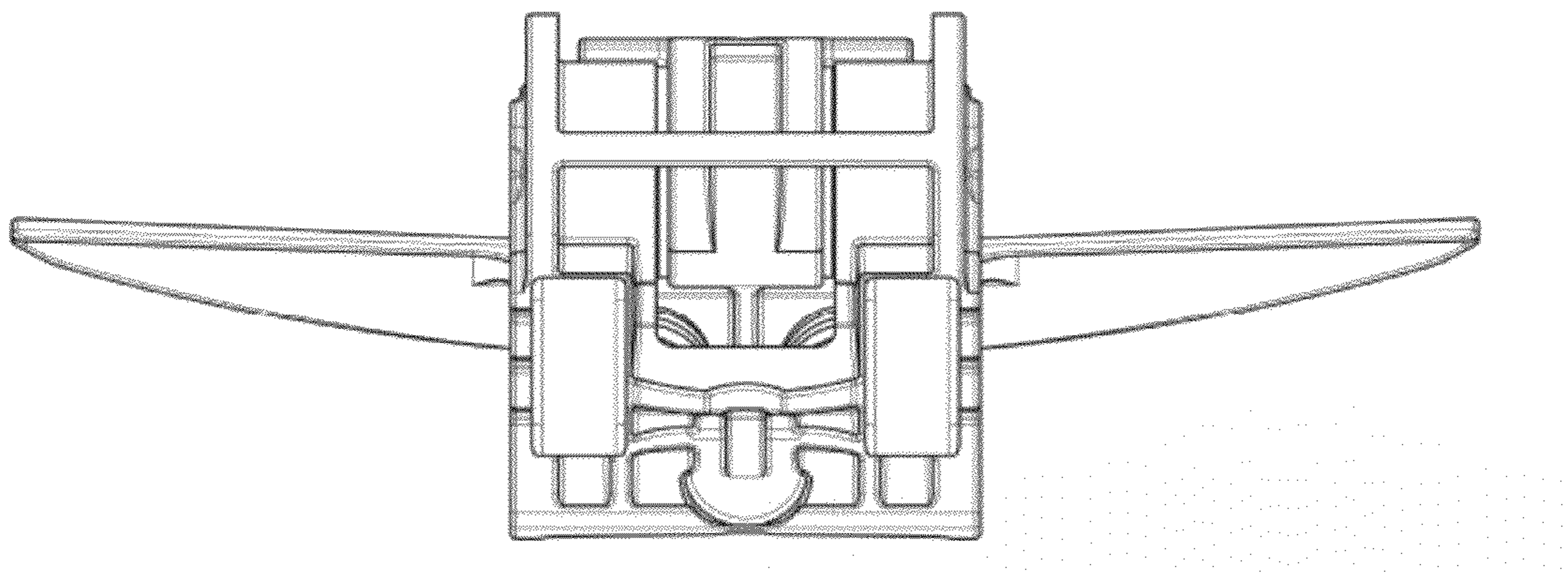


FIG. 5

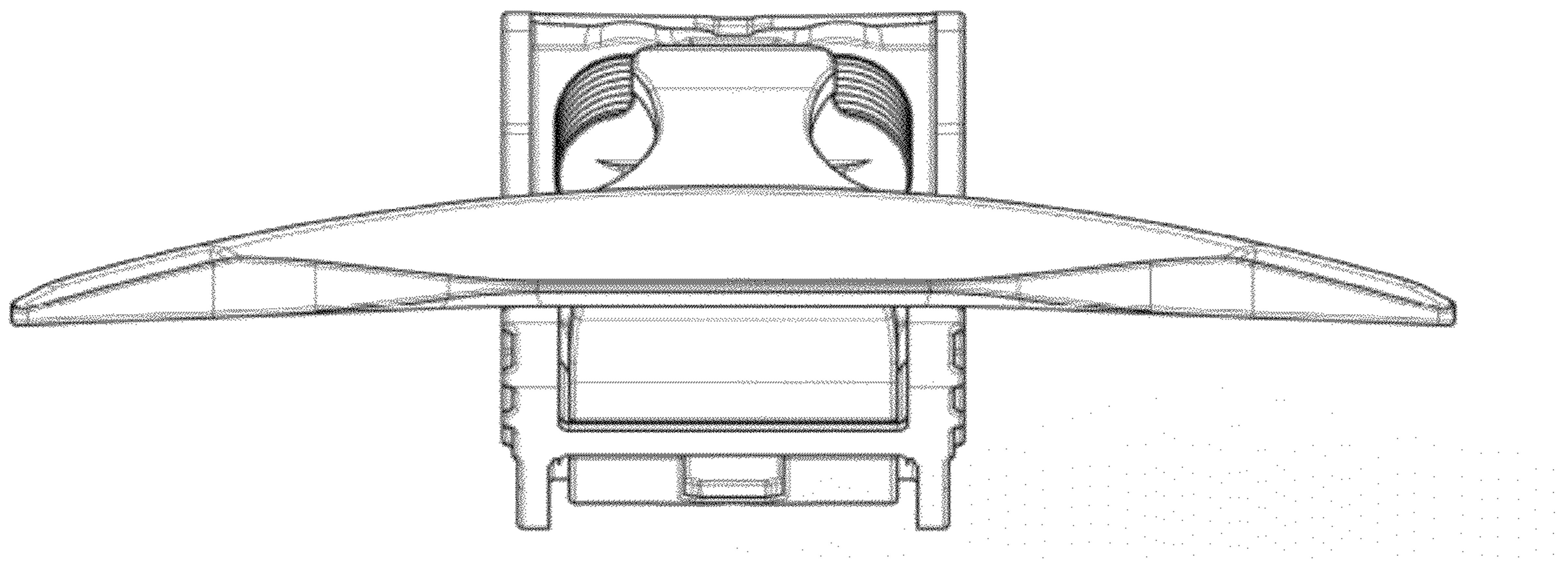


FIG. 6

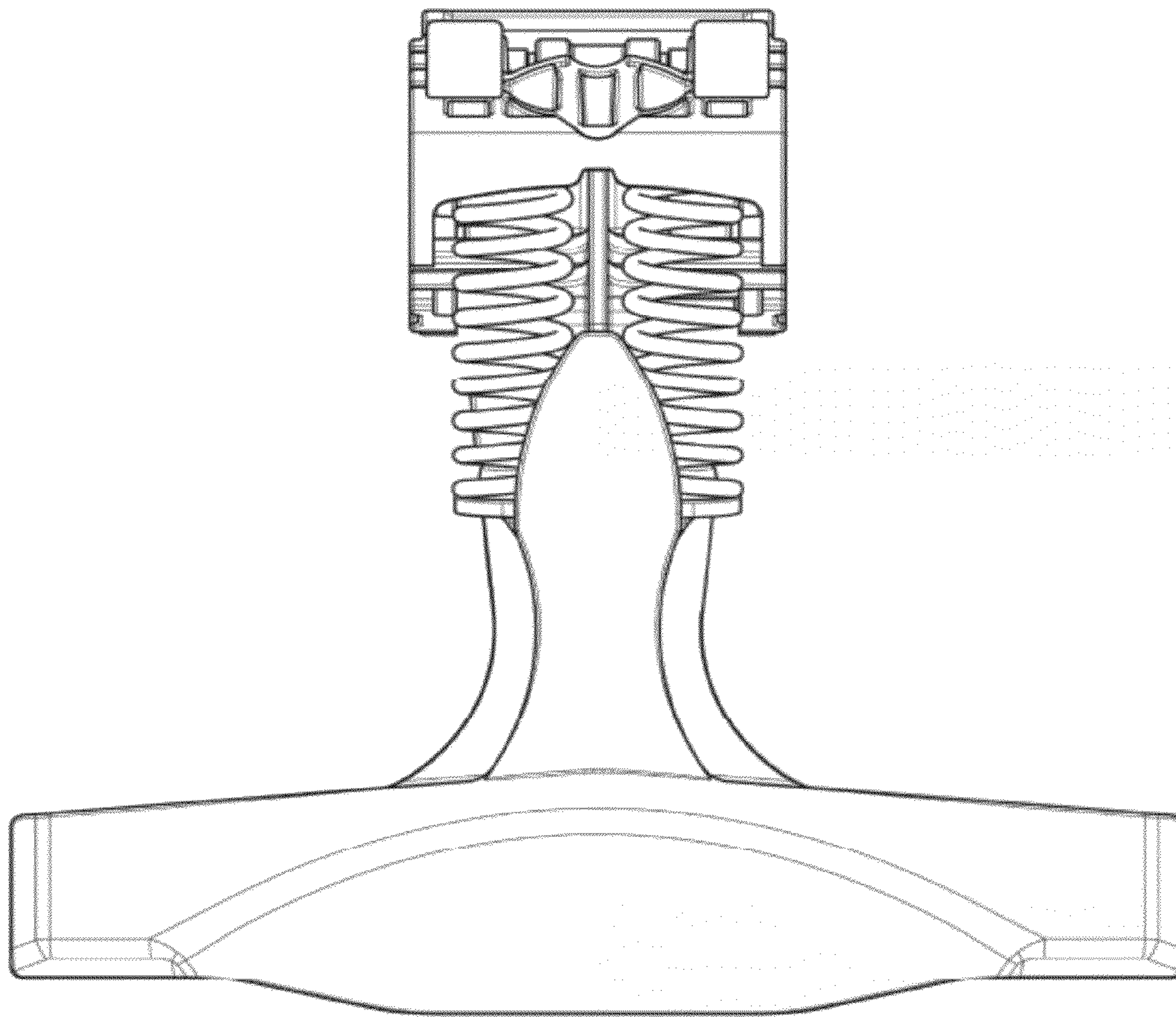


FIG. 7



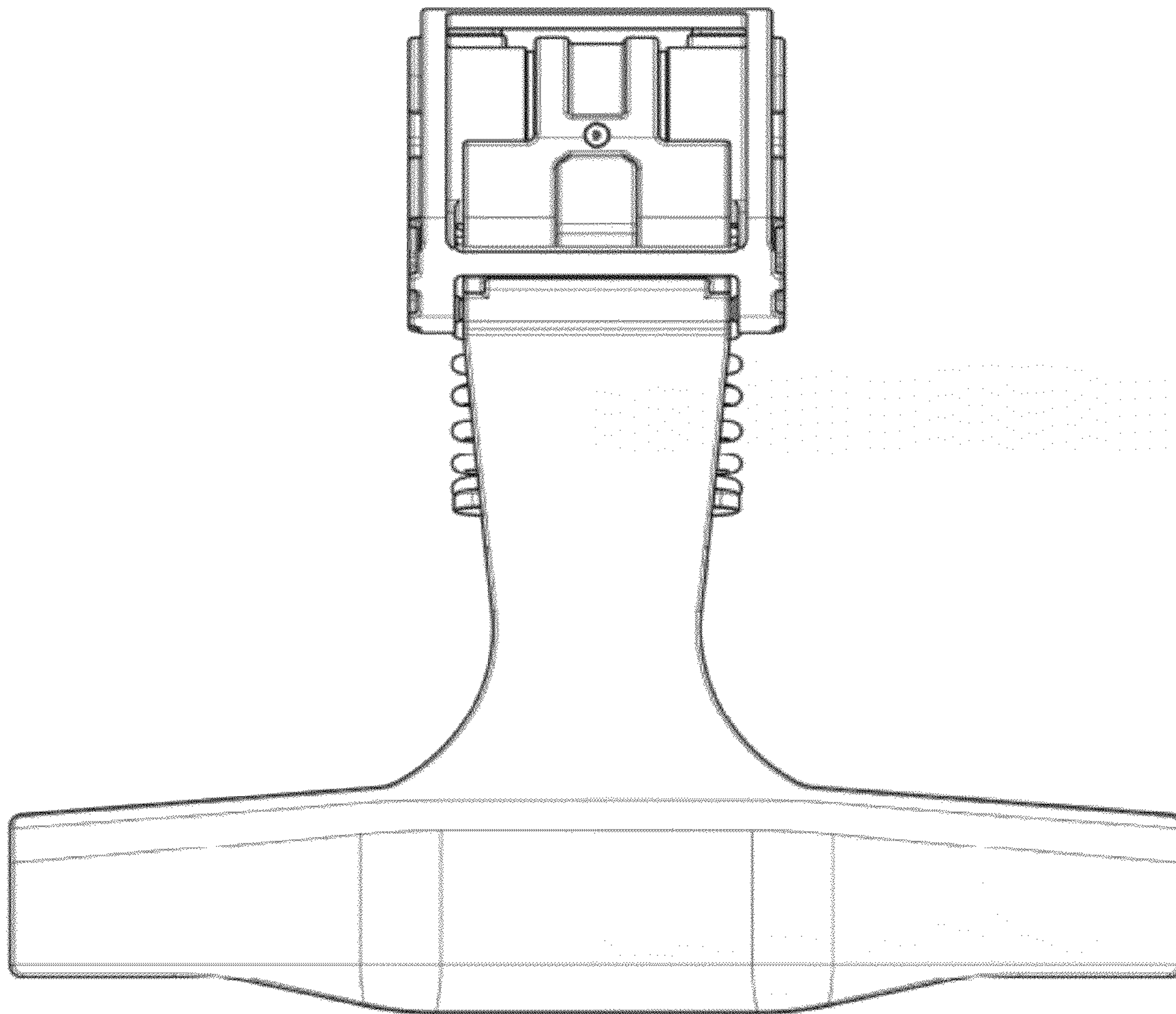


FIG. 8