



US00D672109S

(12) **United States Design Patent**  
**Moore**

(10) **Patent No.:** **US D672,109 S**

(45) **Date of Patent:** **\*\* Dec. 4, 2012**

(54) **GARBAGE CART ENCLOSURE**

(75) Inventor: **David E. Moore**, Temecula, CA (US)

(73) Assignee: **Compumeric Engineering, Inc.**,  
Ontario, CA (US)

(\*\*) Term: **14 Years**

(21) Appl. No.: **29/364,355**

(22) Filed: **Jun. 22, 2010**

(51) **LOC (9) Cl.** ..... **09-09**

(52) **U.S. Cl.** ..... **D34/6**

(58) **Field of Classification Search** ..... D34/1-11;  
220/908-913

See application file for complete search history.

(56) **References Cited**

**U.S. PATENT DOCUMENTS**

135,396 A	2/1873	Bishop
140,307 A	6/1873	Rand
416,433 A	12/1889	Wilson
1,044,047 A	11/1912	Hess
D54,676 S	3/1920	Richardson
D54,677 S	3/1920	Richardson
1,364,209 A	1/1921	Richardson
D57,379 S	3/1921	Richardson
D57,380 S	3/1921	Richardson et al.
D57,593 S	4/1921	Dickerman
1,424,519 A	8/1922	Richardson
1,424,520 A	8/1922	Richard
1,447,462 A	3/1923	Butscher et al.
1,460,166 A	6/1923	McArthur
1,515,612 A	11/1924	O'Connor
1,865,205 A	6/1932	Palmquist
1,870,746 A	8/1932	Pyle
1,922,062 A	8/1933	Sullivan
2,075,495 A	3/1937	Aten
2,169,692 A	8/1939	Hansen
2,194,408 A	3/1940	Sluss
D120,270 S	4/1940	Martinez
2,594,253 A	4/1952	Vander Veer
2,946,640 A	7/1960	Sitler
3,084,965 A	4/1963	Carosello
3,222,517 A	12/1965	Peter

3,586,360 A	6/1971	Perrotta
3,793,756 A	2/1974	Kay et al.
3,803,738 A	4/1974	Weiss
D234,288 S	2/1975	Kay et al.
3,953,061 A	4/1976	Hansen et al.
3,999,792 A	12/1976	Smith
4,046,412 A	9/1977	Lee

(Continued)

**FOREIGN PATENT DOCUMENTS**

JP 02016275 A 1/1990

(Continued)

**OTHER PUBLICATIONS**

“Bear Resistant Recycling Enclosures”, Bear Saver, <http://web.archive.org/web/20080318222229/www.bearsaver.com/RecyclingEnclosures.htm>; downloaded from web.archive Feb 16, 2008.

(Continued)

*Primary Examiner* — Cynthia Ramirez

(74) *Attorney, Agent, or Firm* — Knobbe, Martens, Olson & Bear, LLP

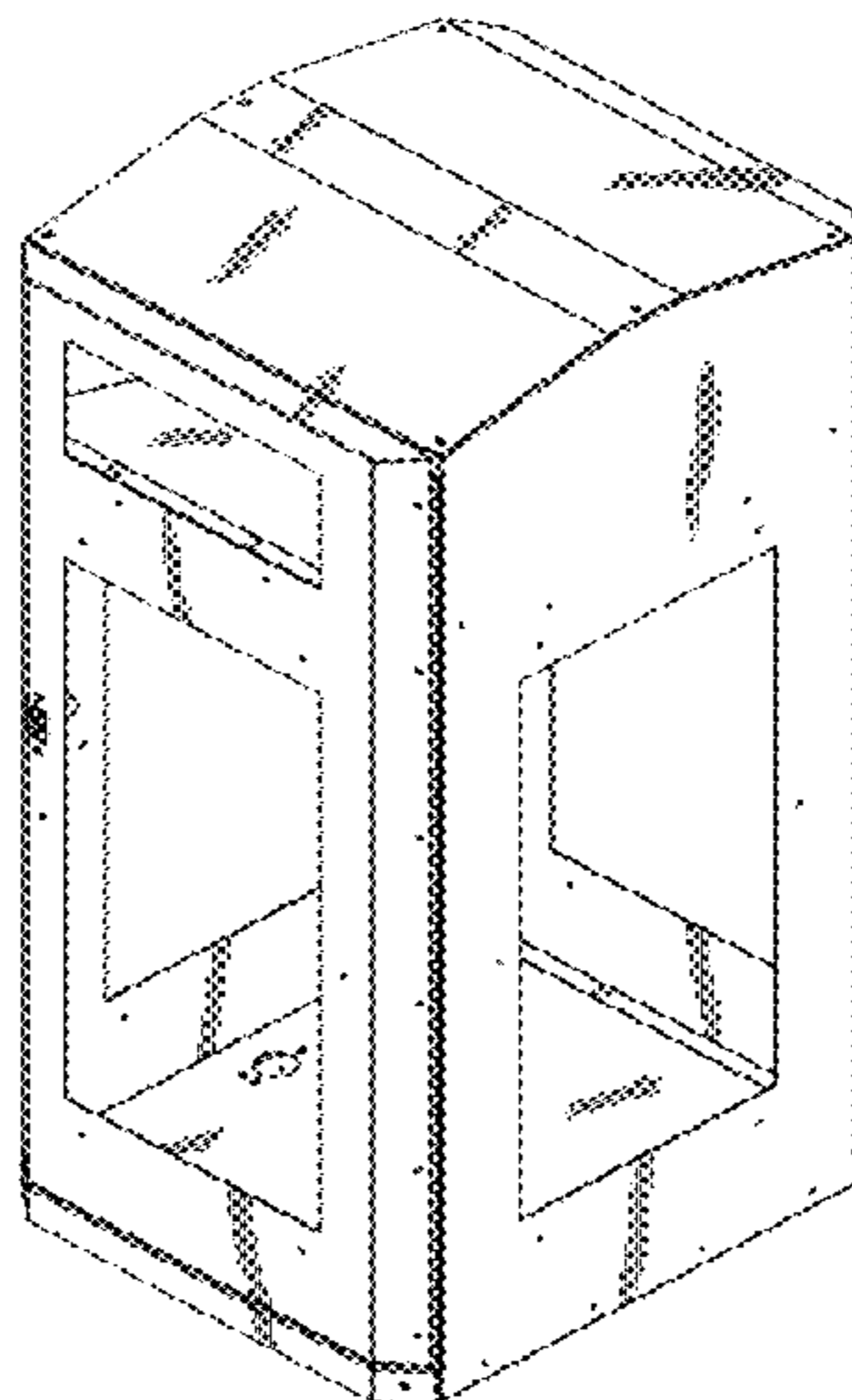
(57) **CLAIM**

The ornamental design for a garbage cart enclosure, as shown and described.

**DESCRIPTION**

FIG. 1 is a perspective view of the garbage cart enclosure of the present design;  
FIG. 2 is a front view thereof;  
FIG. 3 is a rear view thereof;  
FIG. 4 is a first side view thereof; and  
FIG. 5 is second side view thereof.  
FIG. 6 is a top view thereof; and,  
FIG. 7 is a bottom view thereof.  
The broken line shown in the drawings are included for the purpose of illustrating portions of the enclosure and form no part of the claimed design.

**1 Claim, 7 Drawing Sheets**



# US D672,109 S

Page 2

## U.S. PATENT DOCUMENTS

4,319,762 A 3/1982 Streit et al.  
4,854,448 A 8/1989 Hair, II  
5,029,909 A 7/1991 Bunger  
5,092,143 A 3/1992 Rumbles  
D327,152 S 6/1992 Rose et al.  
5,118,037 A 6/1992 Ekegren  
D328,659 S 8/1992 Brenner et al.  
D332,332 S 1/1993 Markey  
D333,541 S 2/1993 Kropf  
D338,758 S 8/1993 Sexton et al.  
D345,239 S 3/1994 Cooper  
5,341,752 A 8/1994 Hambleton  
5,385,258 A 1/1995 Sutherlin  
D356,419 S 3/1995 Kamm  
5,470,115 A 11/1995 Berg et al.  
5,509,700 A 4/1996 Kennedy, Jr.  
5,601,206 A 2/1997 Haas et al.  
D381,156 S 7/1997 Kent  
D389,631 S 1/1998 Peters  
6,065,314 A 5/2000 Nicholson  
D446,373 S \* 8/2001 Weiss et al. .... D34/1  
6,454,320 B1 9/2002 Weinerman et al.  
6,508,087 B2 1/2003 Lemley et al.  
D480,854 S 10/2003 Hardy et al.  
6,688,656 B1 2/2004 Becken  
6,771,183 B2 8/2004 Hunter  
6,783,162 B1 8/2004 Harper  
D507,687 S 7/2005 Moon et al.  
7,062,945 B2 6/2006 Saitoh et al.  
D536,853 S 2/2007 Presnell  
D537,223 S 2/2007 Lin  
D537,596 S 2/2007 Marshall  
D538,995 S 3/2007 Lin  
D545,374 S 6/2007 Gollob  
7,237,812 B2 7/2007 Tweedy

D549,418 S 8/2007 Boydston et al.  
D551,414 S 9/2007 Weiss  
D558,421 S 12/2007 DesLaurier et al.  
D558,947 S 1/2008 Gardner et al.  
D566,920 S \* 4/2008 Boydston et al. .... D34/1  
D566,921 S 4/2008 Skalka  
D577,171 S 9/2008 Moore  
D587,874 S 3/2009 Lin  
D606,721 S 12/2009 Moore  
D612,560 S 3/2010 Moore  
D613,019 S 3/2010 Moore  
7,681,752 B2 3/2010 Moore  
7,775,564 B2 8/2010 Moore  
D655,473 S \* 3/2012 Moore ..... D34/11  
2004/0069787 A1 4/2004 Gruennert et al.  
2007/0046032 A1 3/2007 Moore  
2007/0084865 A1 4/2007 Moore  
2010/0181316 A1 7/2010 Moore  
2010/0307062 A1 12/2010 Moore  
2011/0000011 A1 1/2011 Gebka

## FOREIGN PATENT DOCUMENTS

JP 06101378 A 4/1994

## OTHER PUBLICATIONS

“Bear Resistant Trash Enclosures”, Bear Saver, <http://web.archive.org/web/20080402133700.www.bearsaver.com/TrashEnclosures.htm>; downloaded from web.archive Feb 16, 2008.  
“Non Bear Resistant Trash and Recycling Enclosures”, Bear Saver, <http://web.archive.org/web/20080219235907/www.bearsaver.com/TrashAndRecycling.htm>; downloaded from web.archive Feb. 16, 2008.  
U.S. Appl. No. 12/857,484, filed Aug. 16, 2010, Moore.

\* cited by examiner

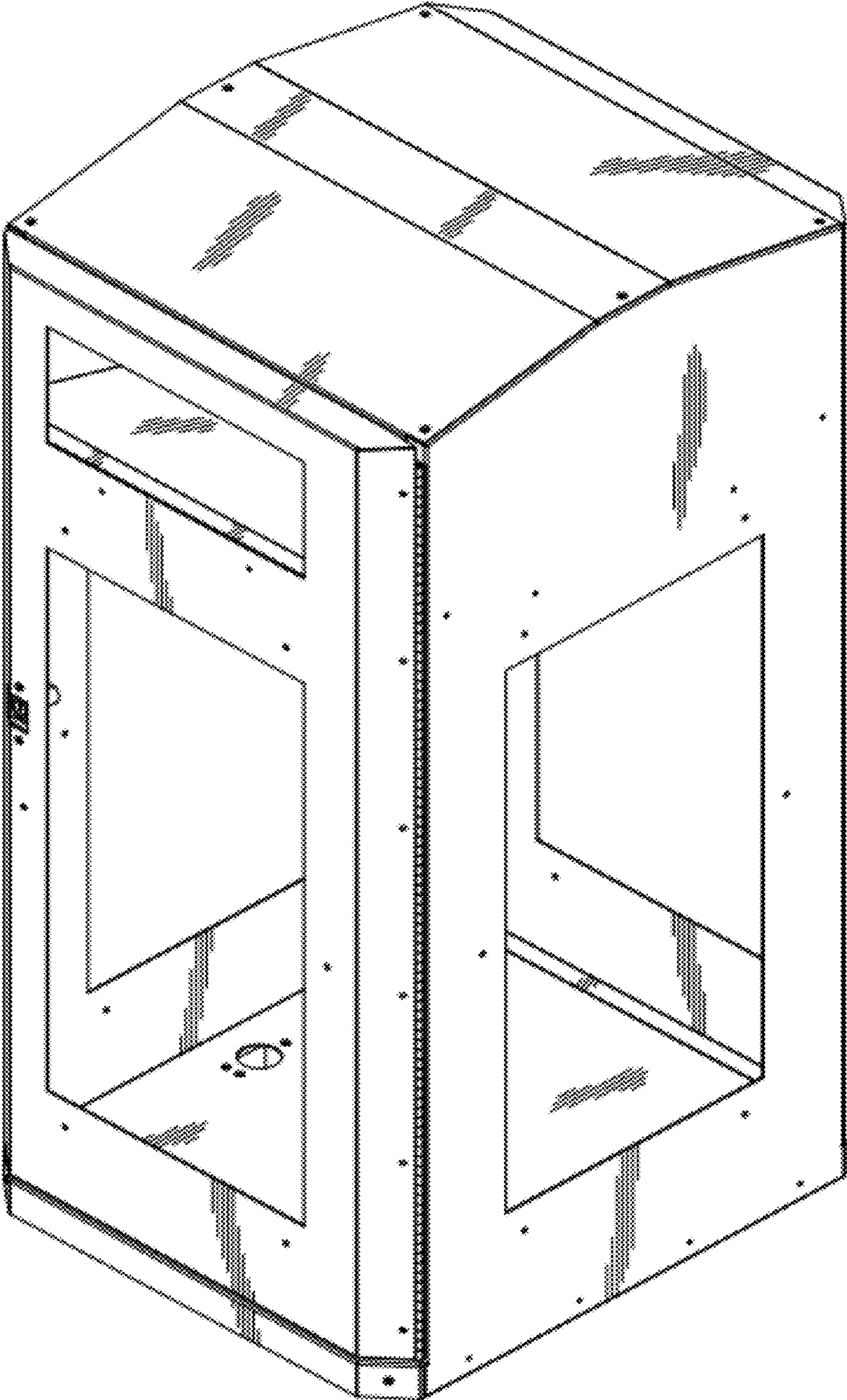


FIG. 1

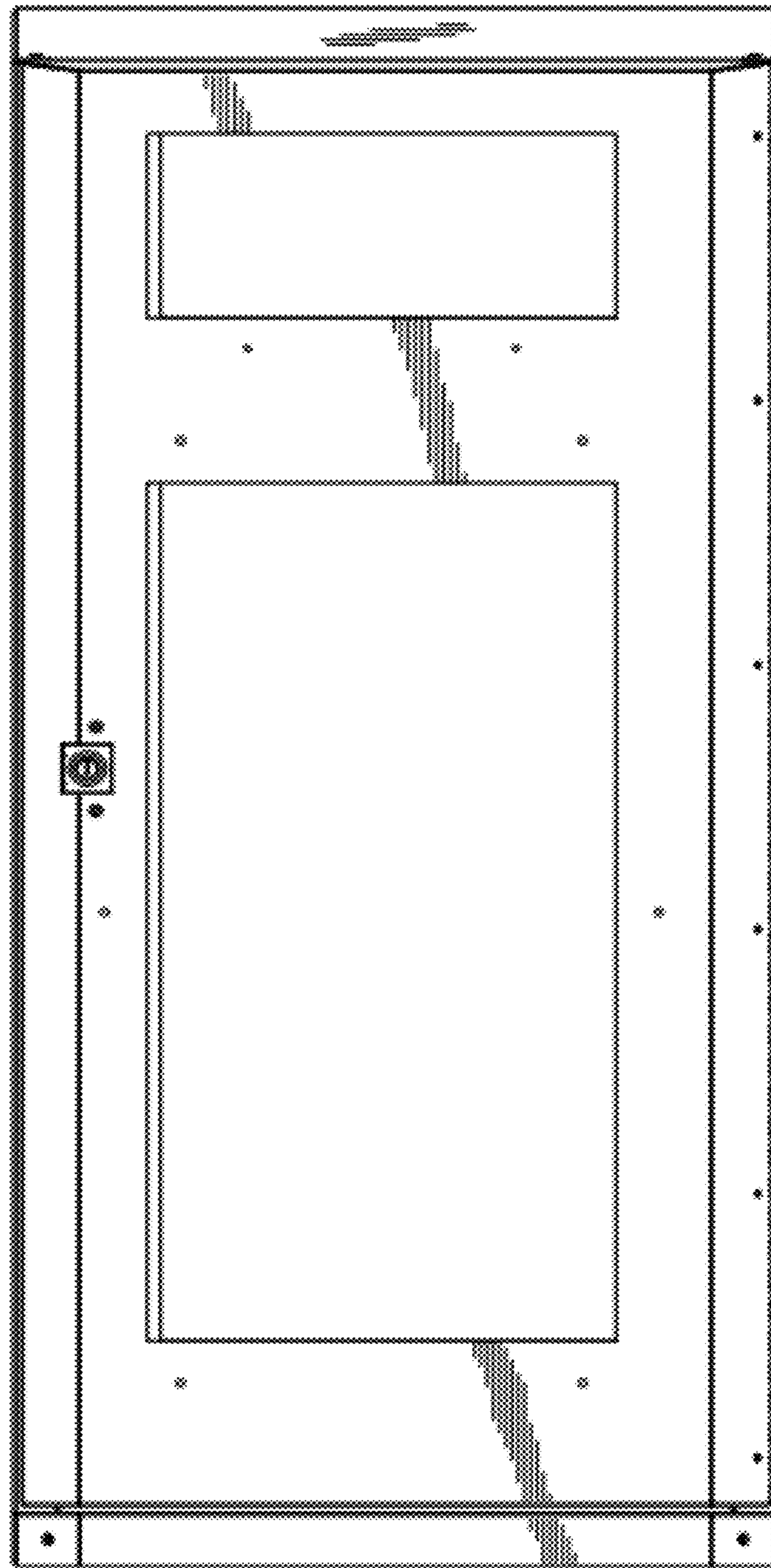


FIG. 2

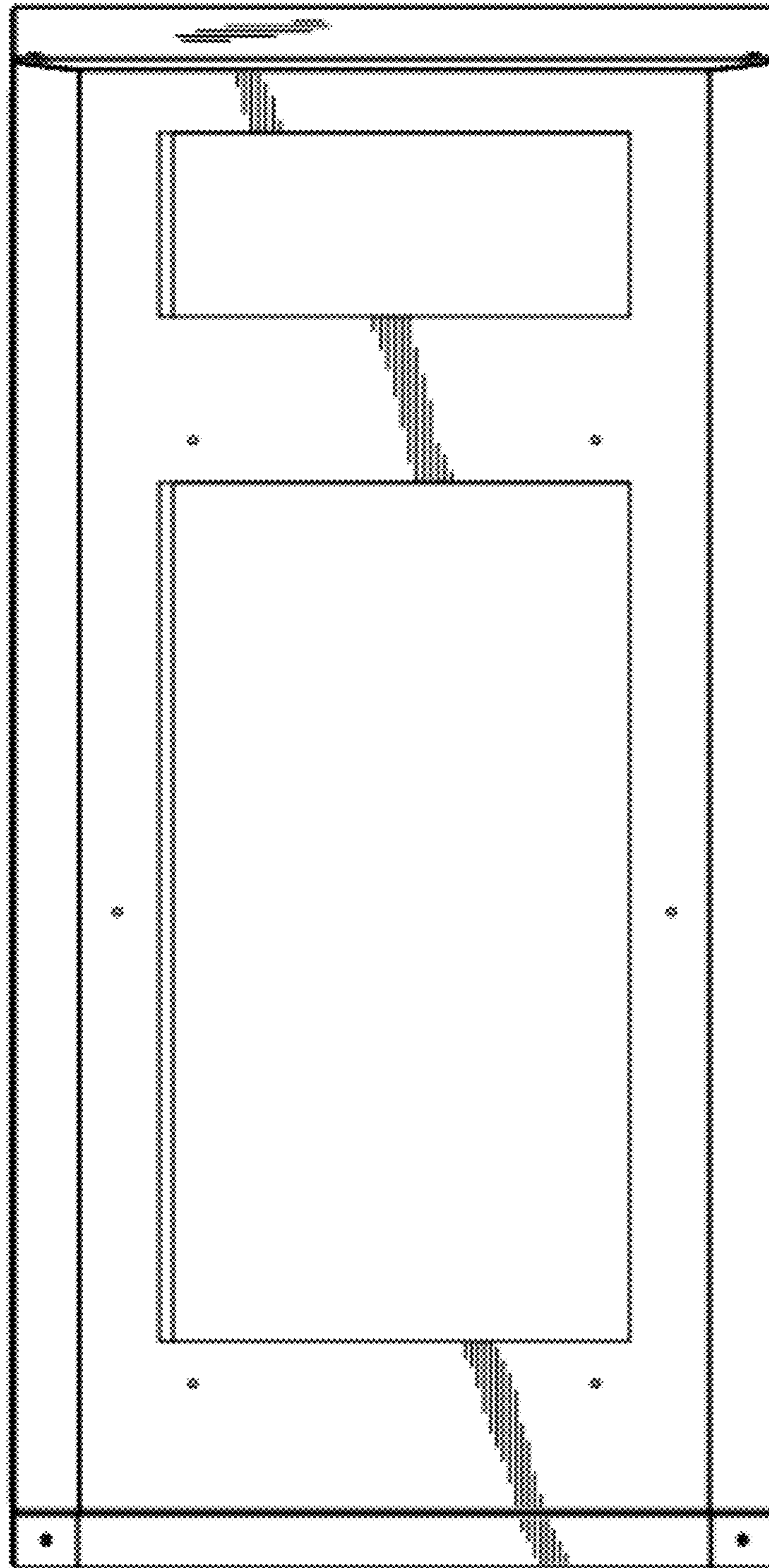


FIG. 3

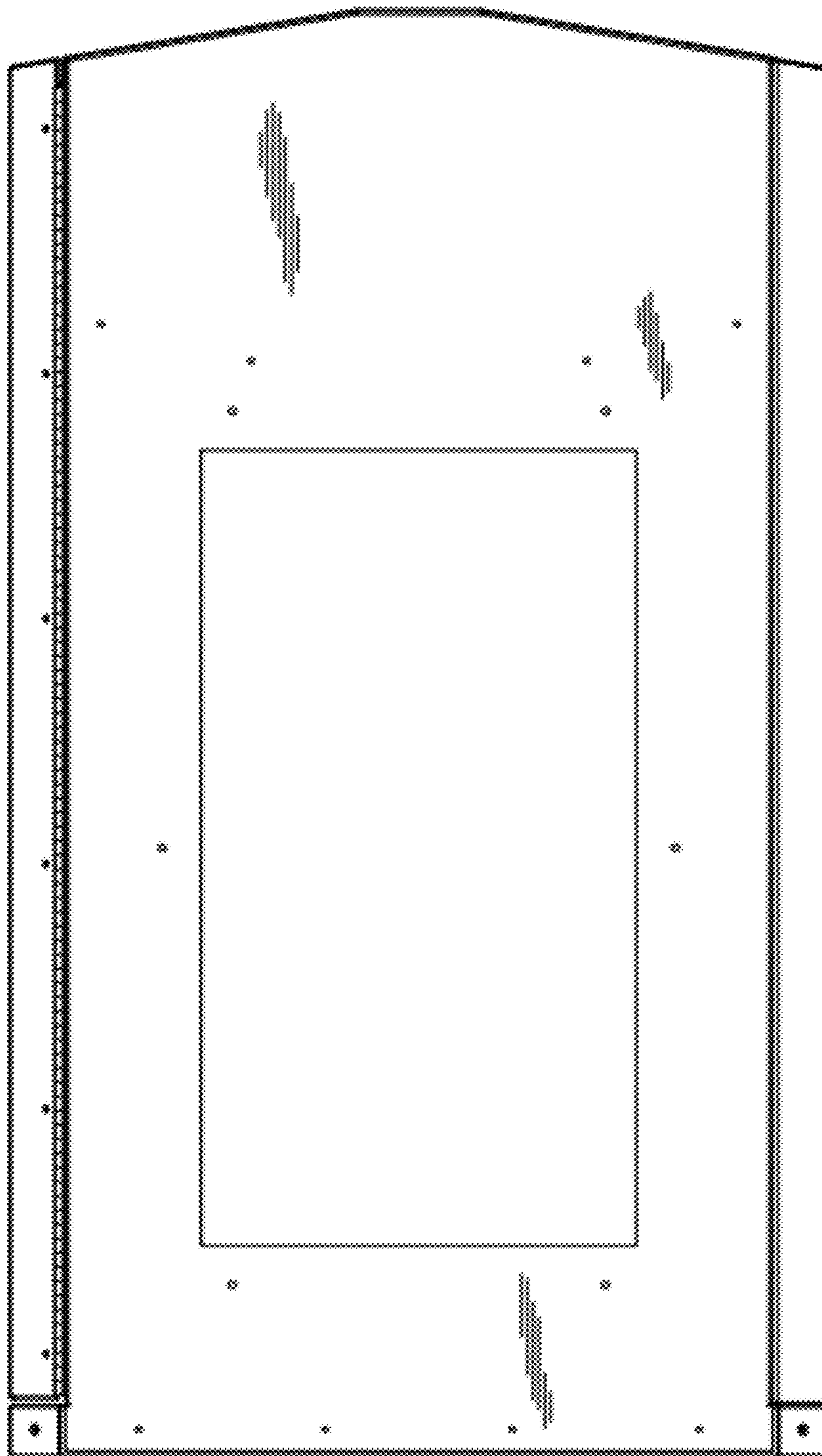


FIG. 4

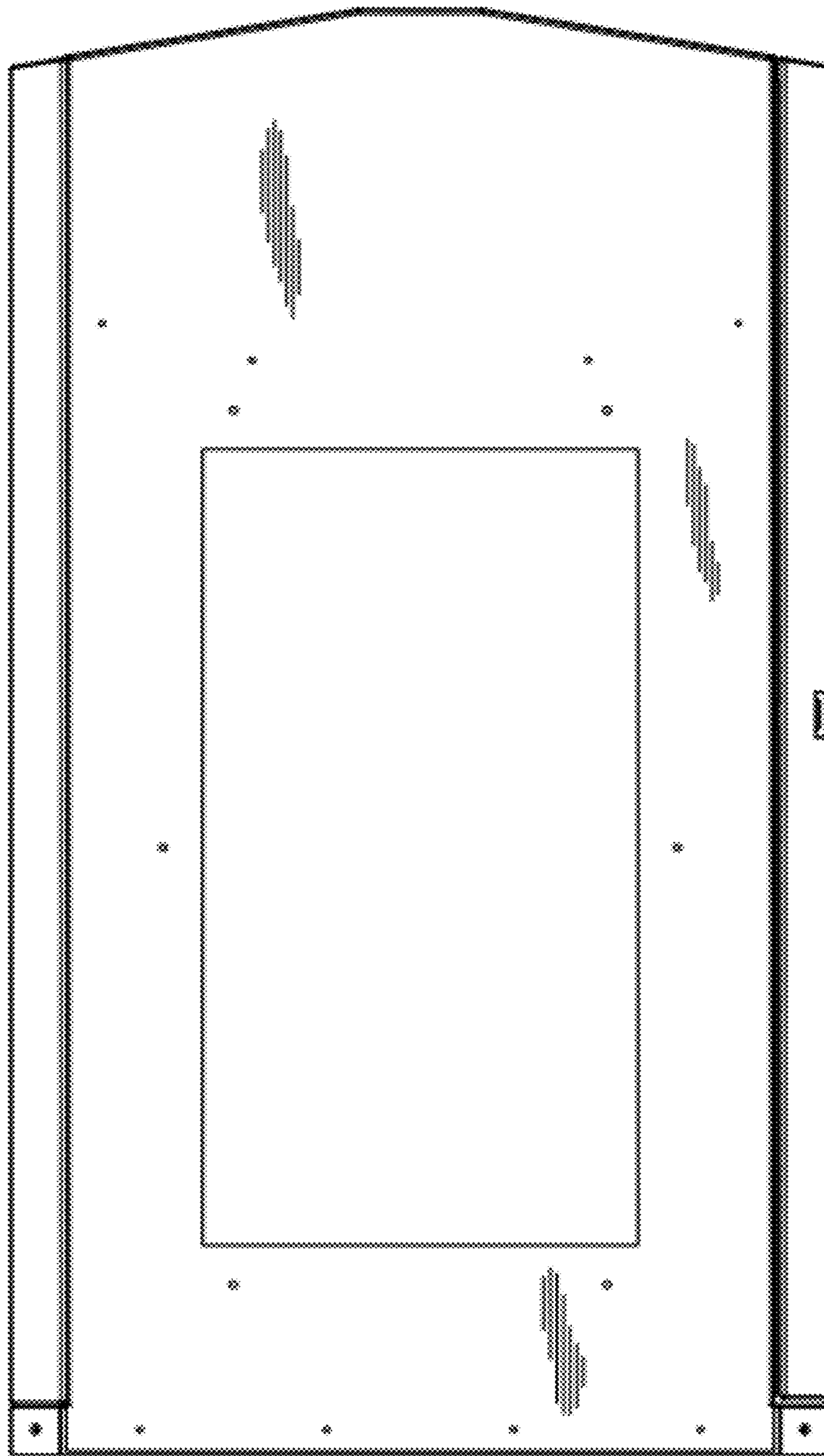


FIG. 5

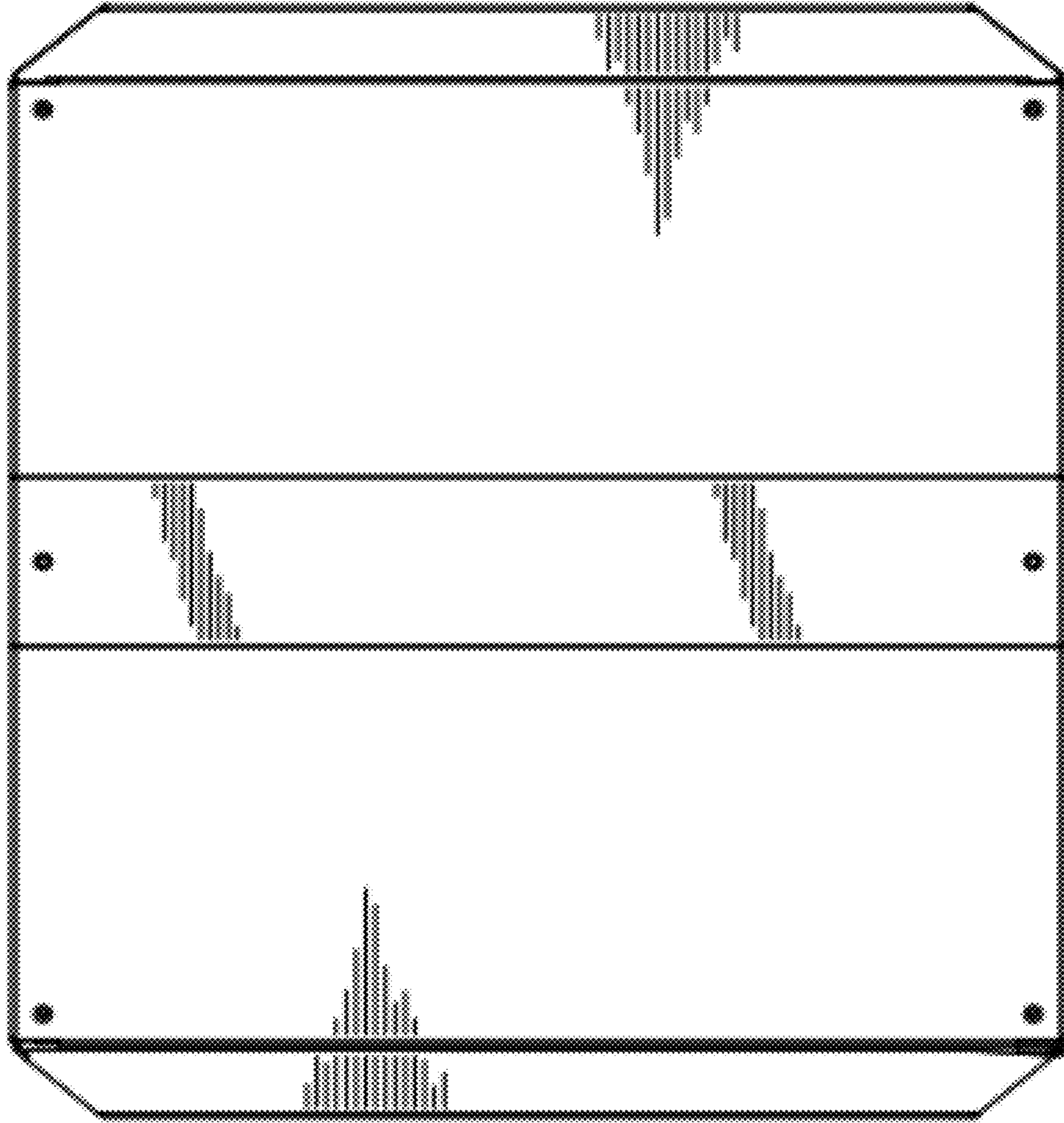


FIG. 6



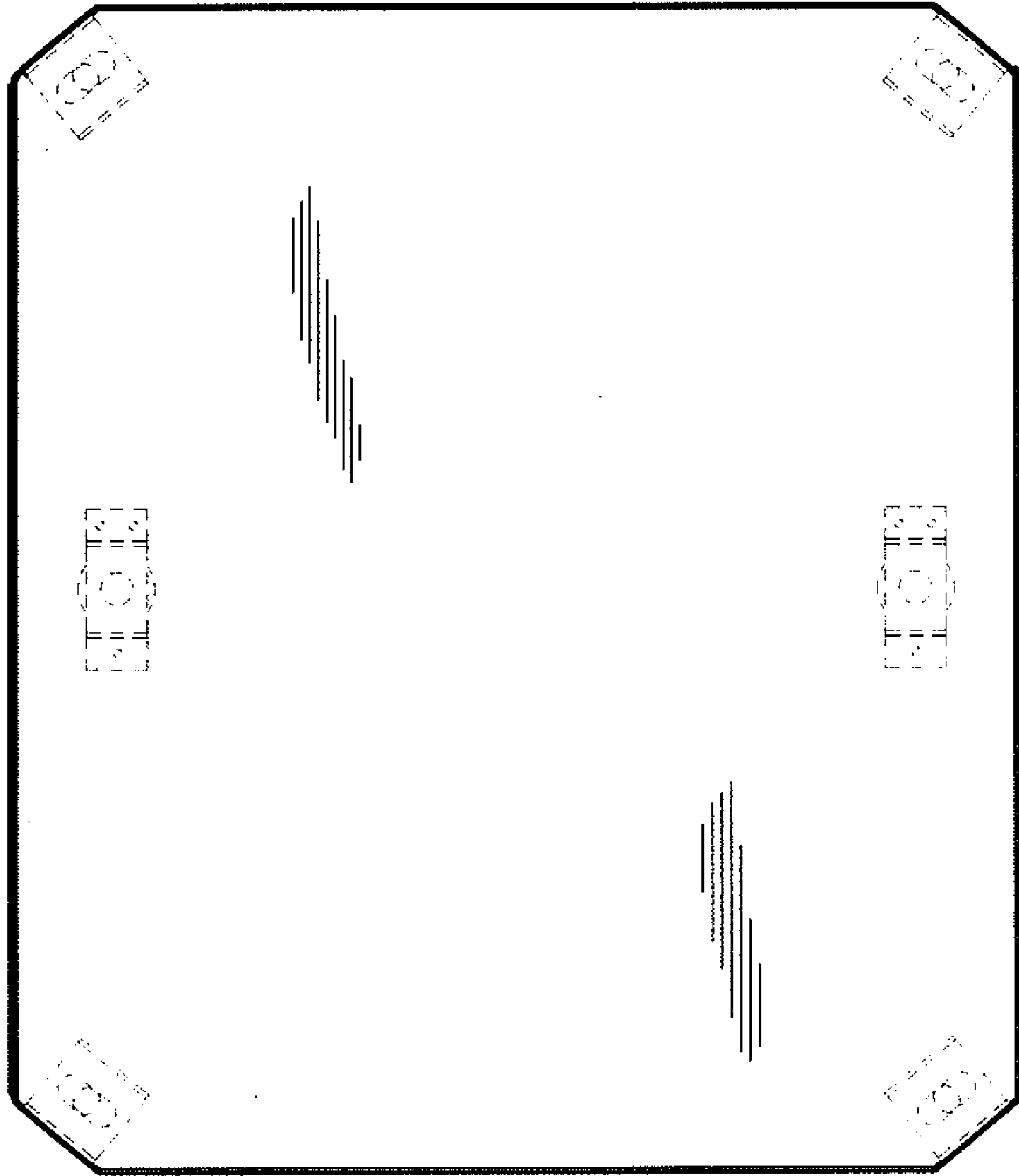


FIG. 7