



US00D672108S

(12) **United States Design Patent**
Lee et al.

(10) **Patent No.:** **US D672,108 S**
(45) **Date of Patent:** **** Dec. 4, 2012**

(54) **TRASH CAN**

(75) Inventors: **Megan L. Lee**, North Oaks, MN (US);
Rachel A. Jones, Minneapolis, MN
(US); **Robin L. Jeffers**, Golden Valley,
MN (US)

(73) Assignee: **Target Brands, Inc.**, Minneapolis, MN
(US)

(**) Term: **14 Years**

(21) Appl. No.: **29/410,772**

(22) Filed: **Jan. 12, 2012**

(51) **LOC (9) Cl.** **09-09**

(52) **U.S. Cl.** **D34/4**

(58) **Field of Classification Search** D34/1,
D34/4; 220/908, 908.1, 909, 911; D19/80;
D26/9, 11, 14, 16, 17, 22; 431/289, 291
See application file for complete search history.

(56) **References Cited**

U.S. PATENT DOCUMENTS

D543,326 S * 5/2007 Dretzka D34/1
D559,493 S * 1/2008 Dretzka D34/1

D590,564 S * 4/2009 Dretzka D34/1
D649,727 S * 11/2011 Memory et al. D34/1
D649,729 S * 11/2011 Salonen et al. D34/1
D654,645 S * 2/2012 Meyer et al. D34/1
D659,337 S * 5/2012 Bradley D34/1

* cited by examiner

Primary Examiner — Cynthia Ramirez

(74) *Attorney, Agent, or Firm* — Leanne Taveggia Farrell;
Westman, Champlin & Kelly, P.A.

(57) **CLAIM**

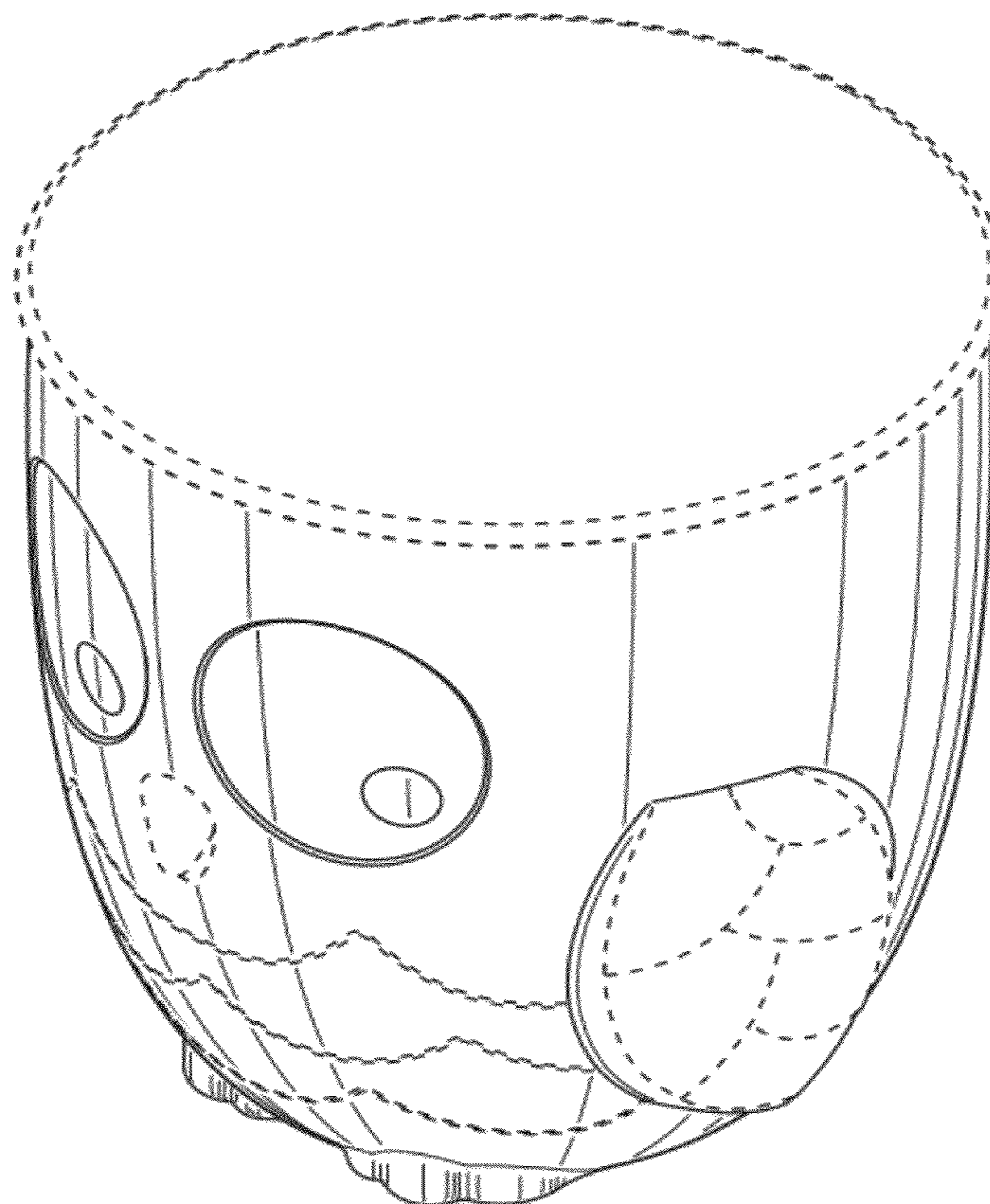
The ornamental design for a trash can, as shown and
described.

DESCRIPTION

FIG. 1 is a perspective view of the trash can;
FIG. 2 is a front view thereof;
FIG. 3 is a bottom view thereof;
FIG. 4 is a right side view thereof;
FIG. 5 is a left side view thereof;
FIG. 6 is a rear view thereof; and,
FIG. 7 is a top view thereof.

The broken lines shown in the drawings are included for the
purpose of illustrating portions of the trash can and form no
part of the claimed design.

1 Claim, 4 Drawing Sheets



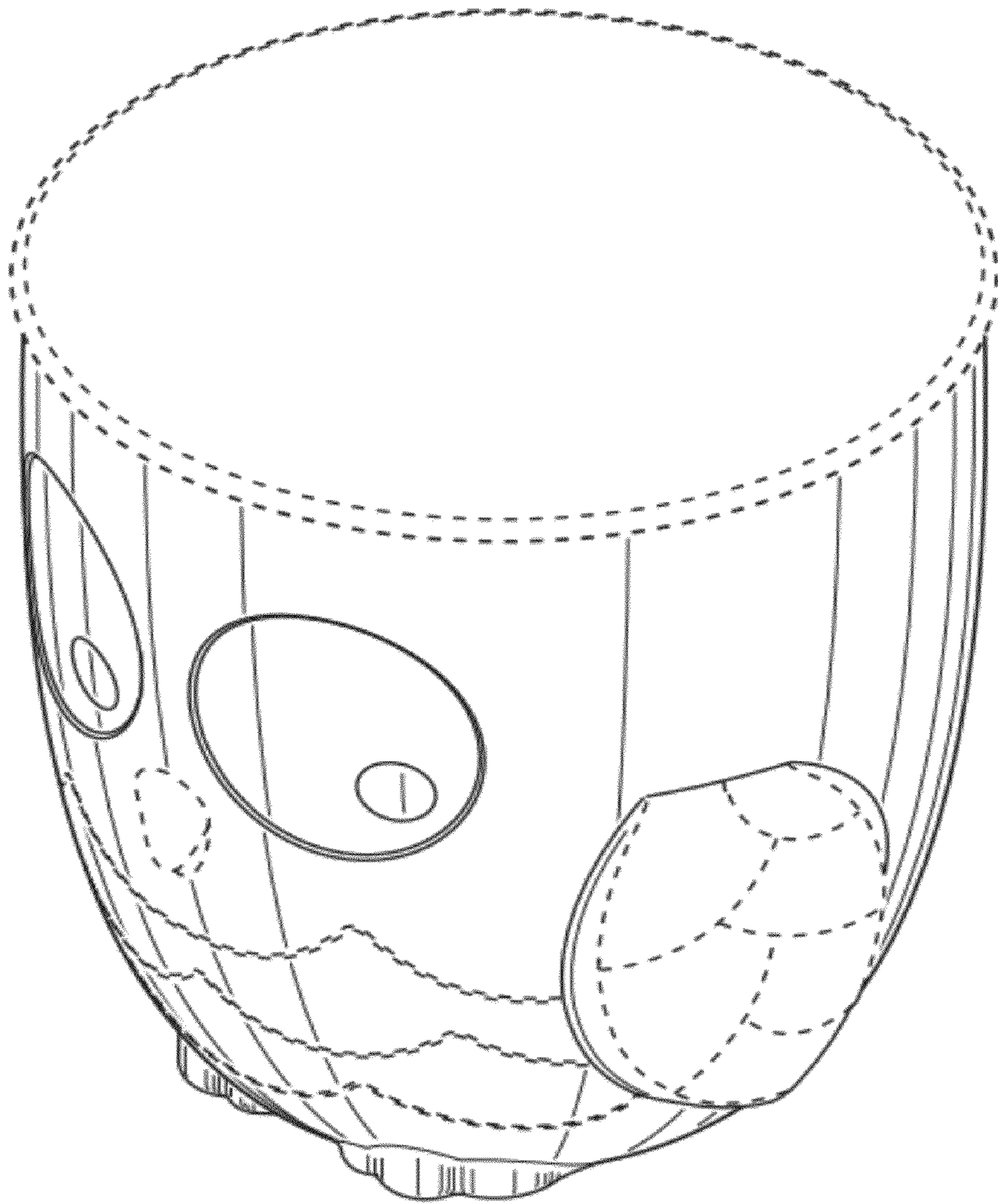


FIG. 1

FIG. 2

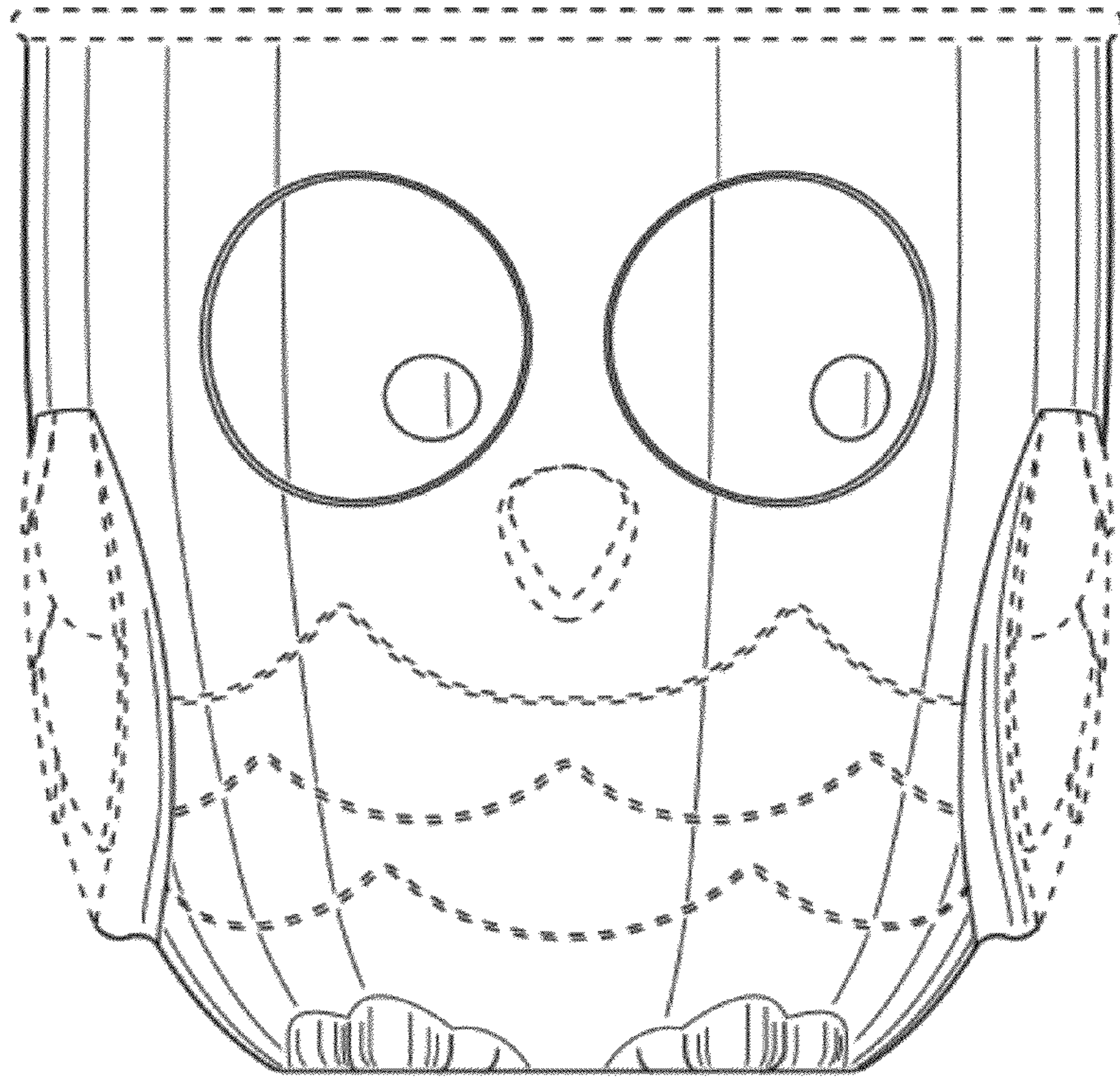


FIG. 3

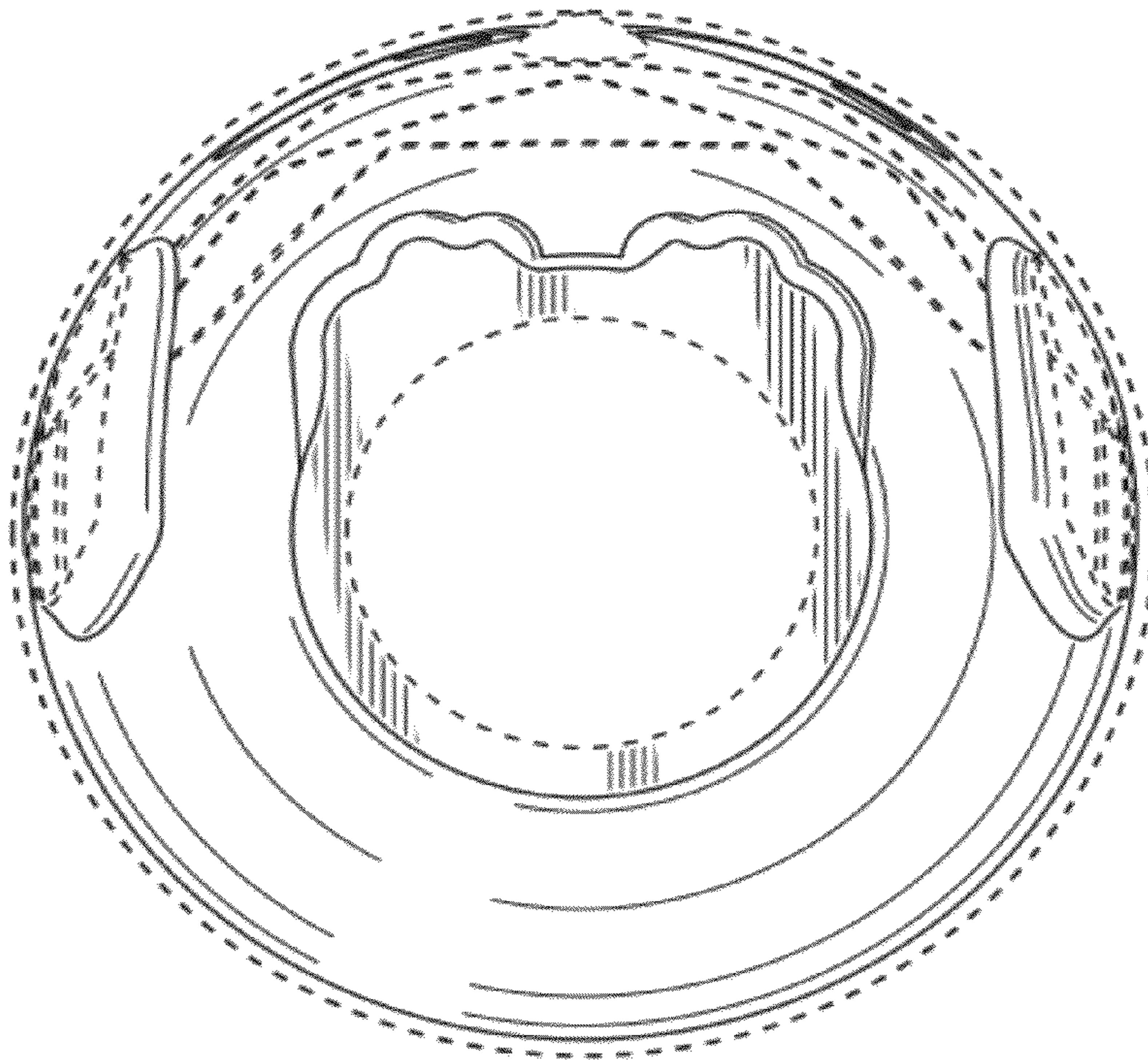


FIG. 4

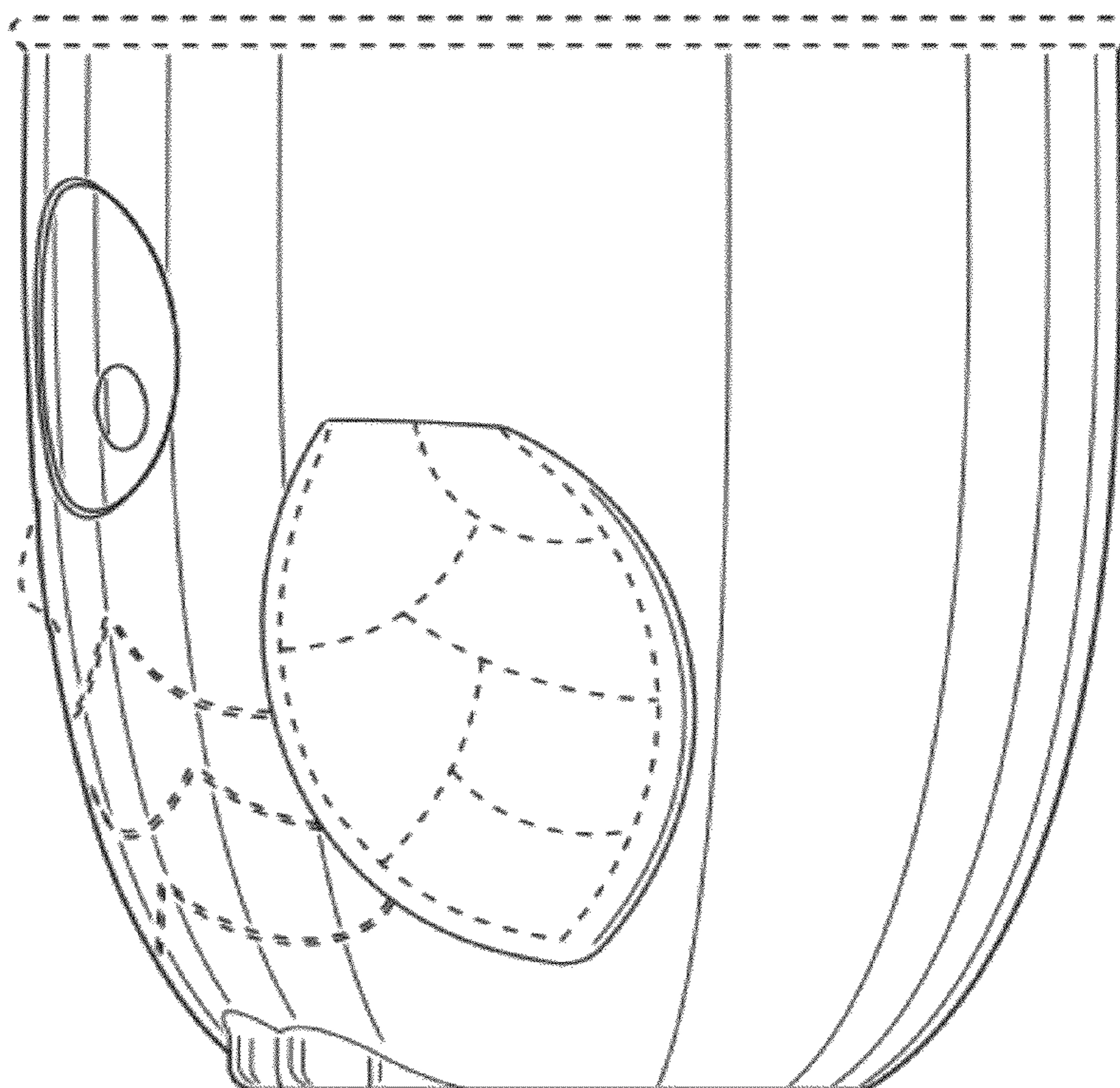


FIG. 5

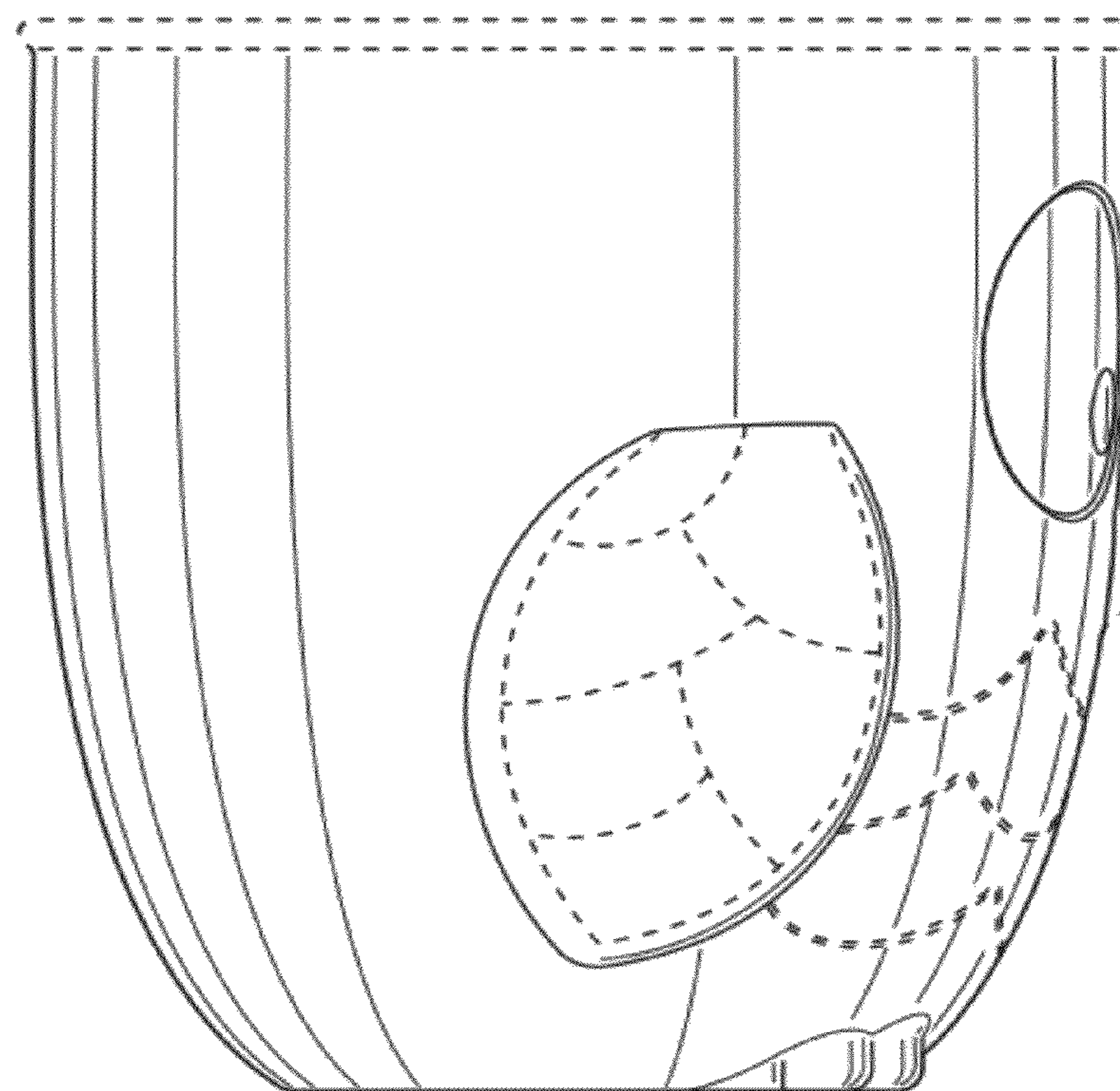


FIG. 6

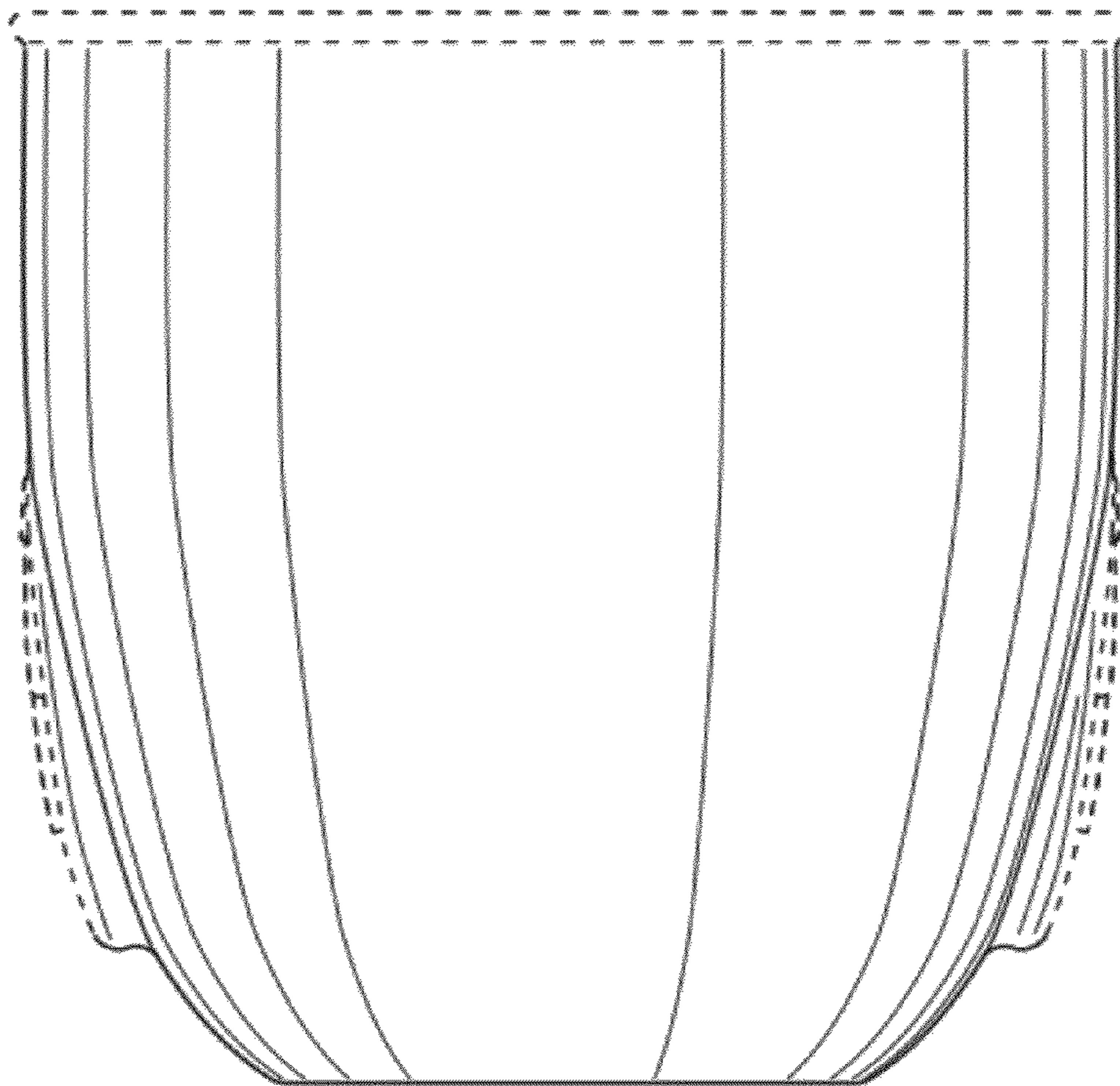


FIG. 7

