



US00D672107S

(12) **United States Design Patent**
Van Landingham, Jr. et al.

(10) **Patent No.:** **US D672,107 S**
(45) **Date of Patent:** **** Dec. 4, 2012**

(54) **MOP FRAME**

(75) Inventors: **Alfred Reneau Van Landingham, Jr.**,
Winchester, VA (US); **Jesse Andrew**
Matola, Winchester, VA (US)

(73) Assignee: **Rubbermaid Commercial Products,**
LLC, Winchester, VA (US)

(**) Term: **14 Years**

(21) Appl. No.: **29/405,784**

(22) Filed: **Nov. 7, 2011**

(51) **LOC (9) Cl.** **04-01**

(52) **U.S. Cl.** **D32/50**

(58) **Field of Classification Search** D32/50,
D32/51, 39-45; 15/116.1, 116.2, 119.2,
15/147.1, 147.2, 150, 208, 209.1, 210.1,
15/228; 401/137-140; 210/767

See application file for complete search history.

FOREIGN PATENT DOCUMENTS

EP 1516575 A2 3/2005
(Continued)

OTHER PUBLICATIONS

Co-pending U.S. Appl. No. 29/405,928, filed Nov. 8, 2011.
(Continued)

Primary Examiner — John Windmuller

(74) *Attorney, Agent, or Firm* — Dennis J. Williamson;
Moore & Van Allen PLLC

(57) **CLAIM**

We claim the ornamental design for a mop frame, as shown
and described.

(56) **References Cited**

U.S. PATENT DOCUMENTS

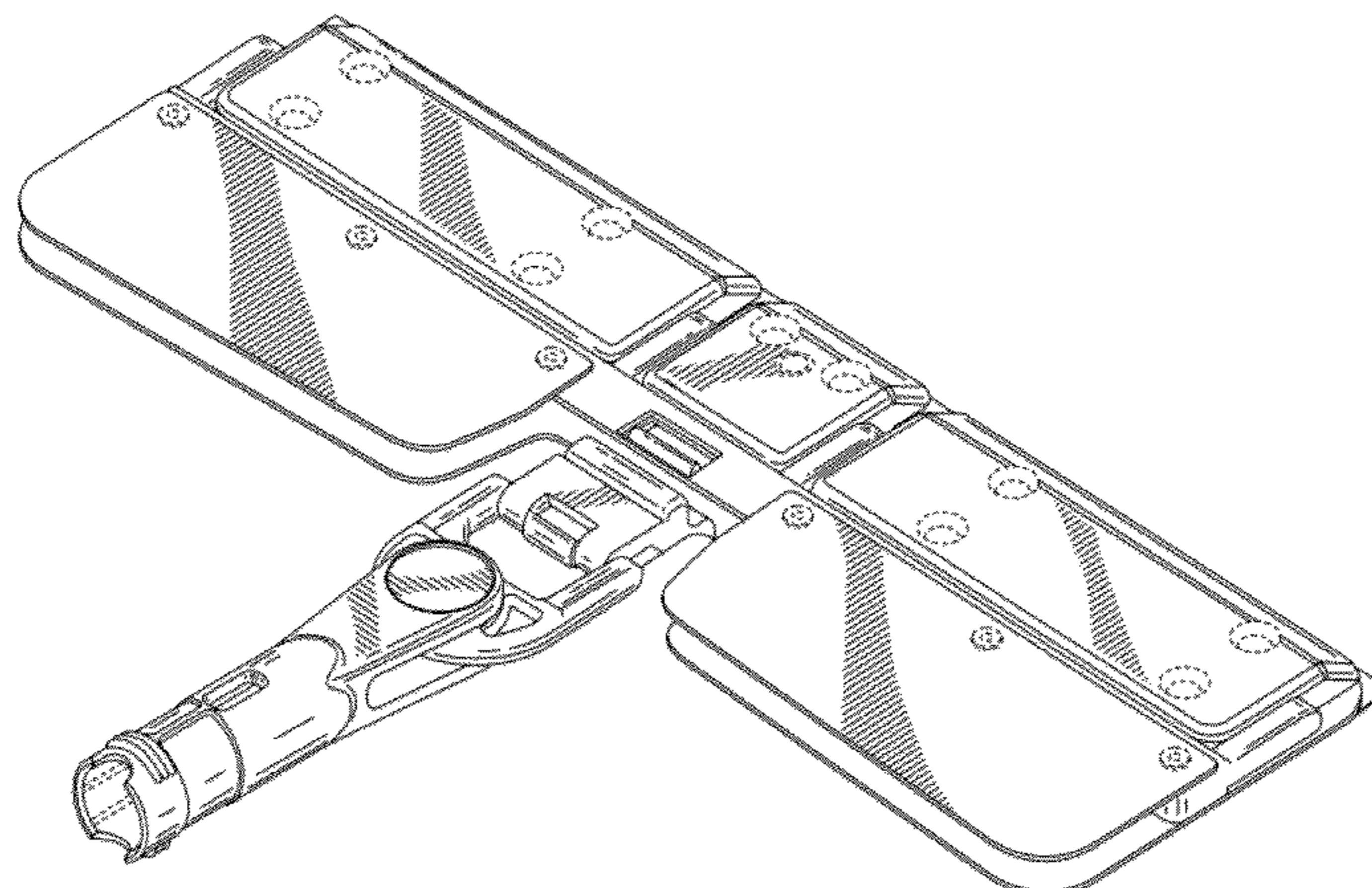
790,030	A	5/1905	Crawford	
2,255,091	A	9/1941	Vaughn	
2,538,336	A	1/1951	Smith	
2,794,997	A *	6/1957	Channell	15/119.2
3,045,252	A	7/1962	Sorrells	
3,383,158	A *	5/1968	Leland	401/201
3,441,973	A	5/1969	Turk	
3,926,452	A	12/1975	Goines	
D250,245	S *	11/1978	Bebb	D32/50
4,161,799	A	7/1979	Sorrells	
4,680,826	A	7/1987	Schunter	
4,798,307	A	1/1989	Evrard	
4,815,160	A	3/1989	Smith, Jr.	
4,827,562	A	5/1989	Blase et al.	
4,845,800	A	7/1989	Pederson et al.	
5,245,724	A	9/1993	Sacks	
5,289,953	A	3/1994	McMillan, III et al.	
5,548,865	A	8/1996	Pagani	
D381,150	S *	7/1997	Berti	D32/50

(Continued)

DESCRIPTION

FIG. 1 is a front view showing our new design for a mop frame;
FIG. 2 is a back side view showing our new design shown in
FIG. 1;
FIG. 3 is a right side view showing our new design shown in
FIG. 1;
FIG. 4 is a left view showing our new design shown in FIG. 1;
FIG. 5 is a perspective view showing our new design shown in
FIG. 1;
FIG. 6 is a top view showing our new design shown in FIG. 1;
and,
FIG. 7 is a bottom view showing our new design shown in
FIG. 1.
The portions shown in broken lines are not part of the claimed
design but show the environment in which the design is asso-
ciated.

1 Claim, 7 Drawing Sheets



US D672,107 S

Page 2

U.S. PATENT DOCUMENTS

5,864,914 A * 2/1999 Salmon 15/147.2
6,000,094 A 12/1999 Young
6,006,397 A 12/1999 Williams et al.
6,026,530 A 2/2000 Camp, Jr.
6,098,239 A * 8/2000 Vosbikian 15/228
6,119,298 A * 9/2000 Kenmochi 15/231
6,279,195 B1 8/2001 Biggs
6,283,170 B1 9/2001 Robinson
6,389,638 B1 5/2002 Dickinson et al.
D465,890 S * 11/2002 Rivera et al. D32/50
6,540,168 B1 4/2003 Archer et al.
6,662,401 B2 12/2003 Zorzo
6,736,969 B2 5/2004 Milne
D549,414 S * 8/2007 Van Ledingham, Jr. D32/50
7,487,881 B2 2/2009 Watzke et al.
7,607,191 B2 * 10/2009 Morris et al. 15/228
7,735,182 B2 * 6/2010 Morris et al. 15/228
2002/0092113 A1 7/2002 Cann
2005/0076465 A1 4/2005 Rousey
2005/0086760 A1 4/2005 Young
2007/0006413 A1 * 1/2007 Lee 15/228

2007/0241049 A1 10/2007 Tytar
2008/0302715 A1 12/2008 Venville
2009/0094769 A1 4/2009 Wilson
2011/0099745 A1 5/2011 Van Ledingham, Jr. et al.
2011/0099837 A1 5/2011 Matola et al.
2011/0100395 A1 5/2011 Van Ledingham, Jr. et al.
2011/0100929 A1 * 5/2011 Van Ledingham et al. . 210/767
2011/0303589 A1 12/2011 Kuennen et al.
2012/0110814 A1 5/2012 Matola et al.

FOREIGN PATENT DOCUMENTS

GB 2260691 A 4/1993
WO 2003065869 A1 8/2003
WO 2006094918 A1 9/2006
WO 2006002654 A1 12/2006
WO 2008106780 A1 9/2008

OTHER PUBLICATIONS

U.S. Patent and Trademark Office, Office Action issued in U.S. Appl.
No. 29/405,928, filed Apr. 11, 2012.

* cited by examiner

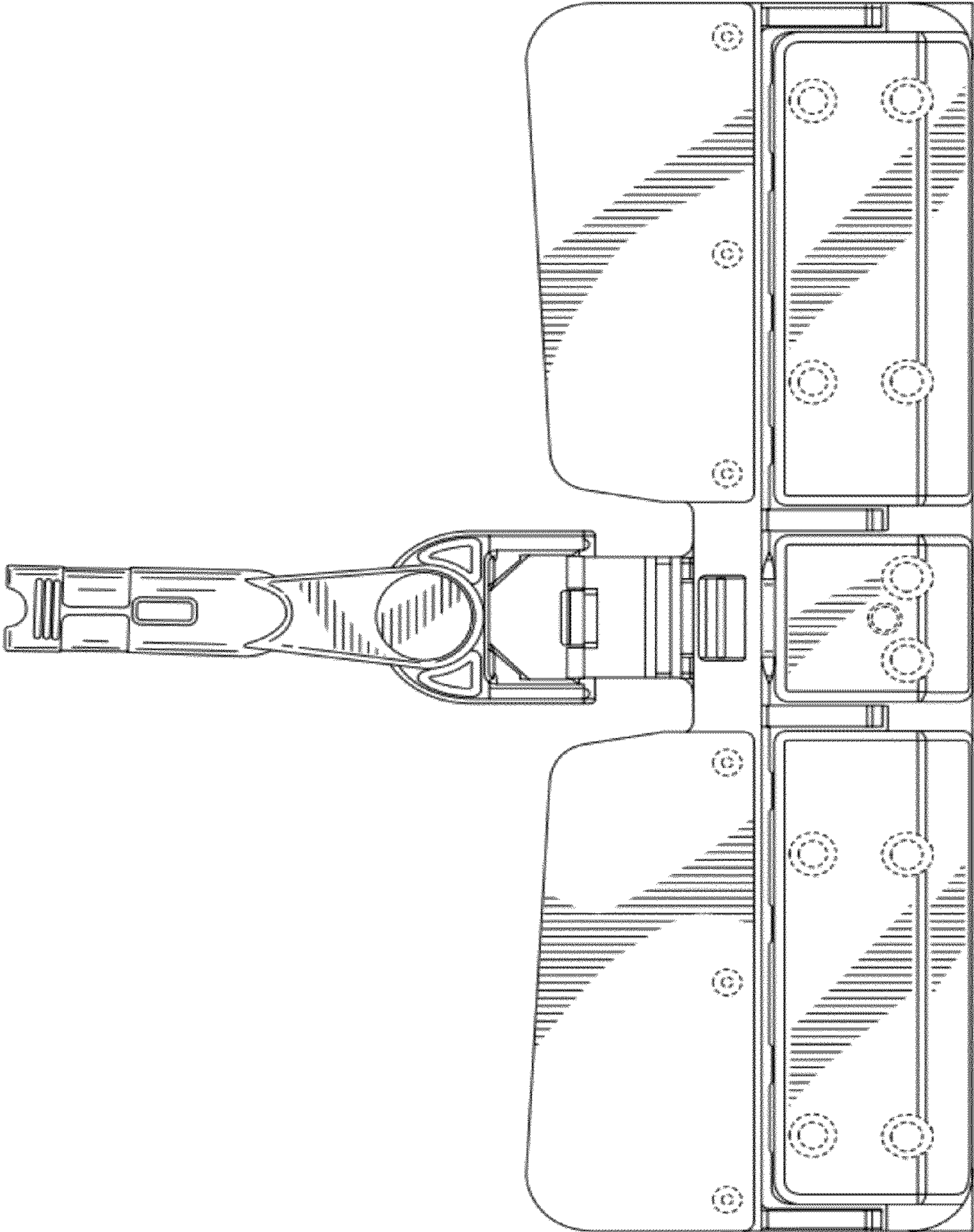


FIG. 1

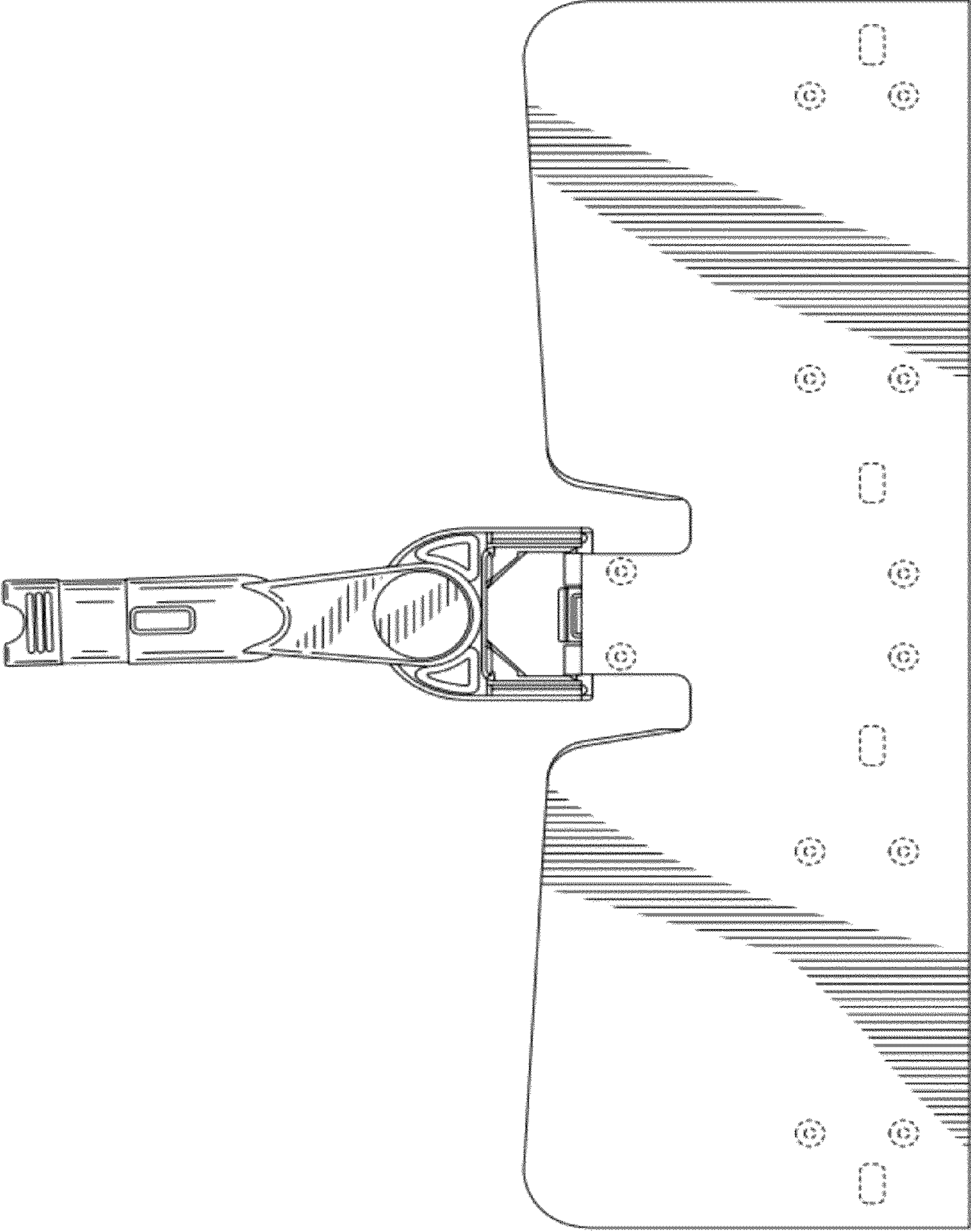


FIG. 2

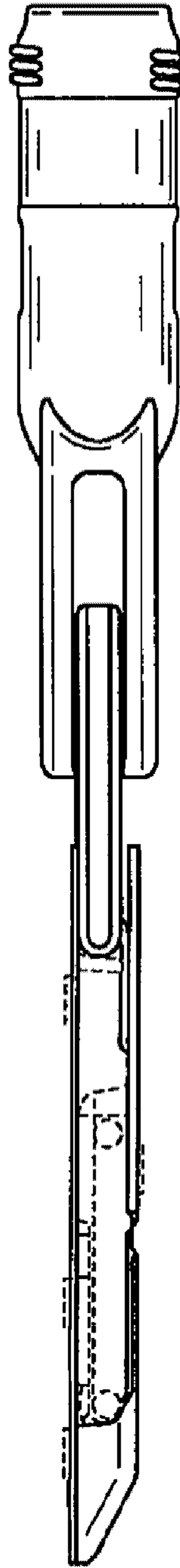


FIG. 3

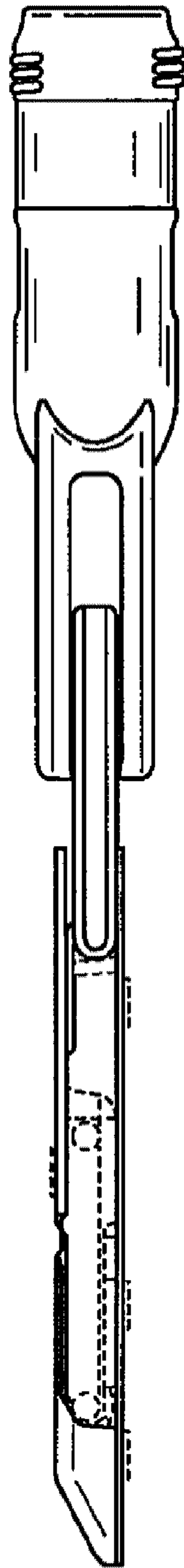


FIG. 4

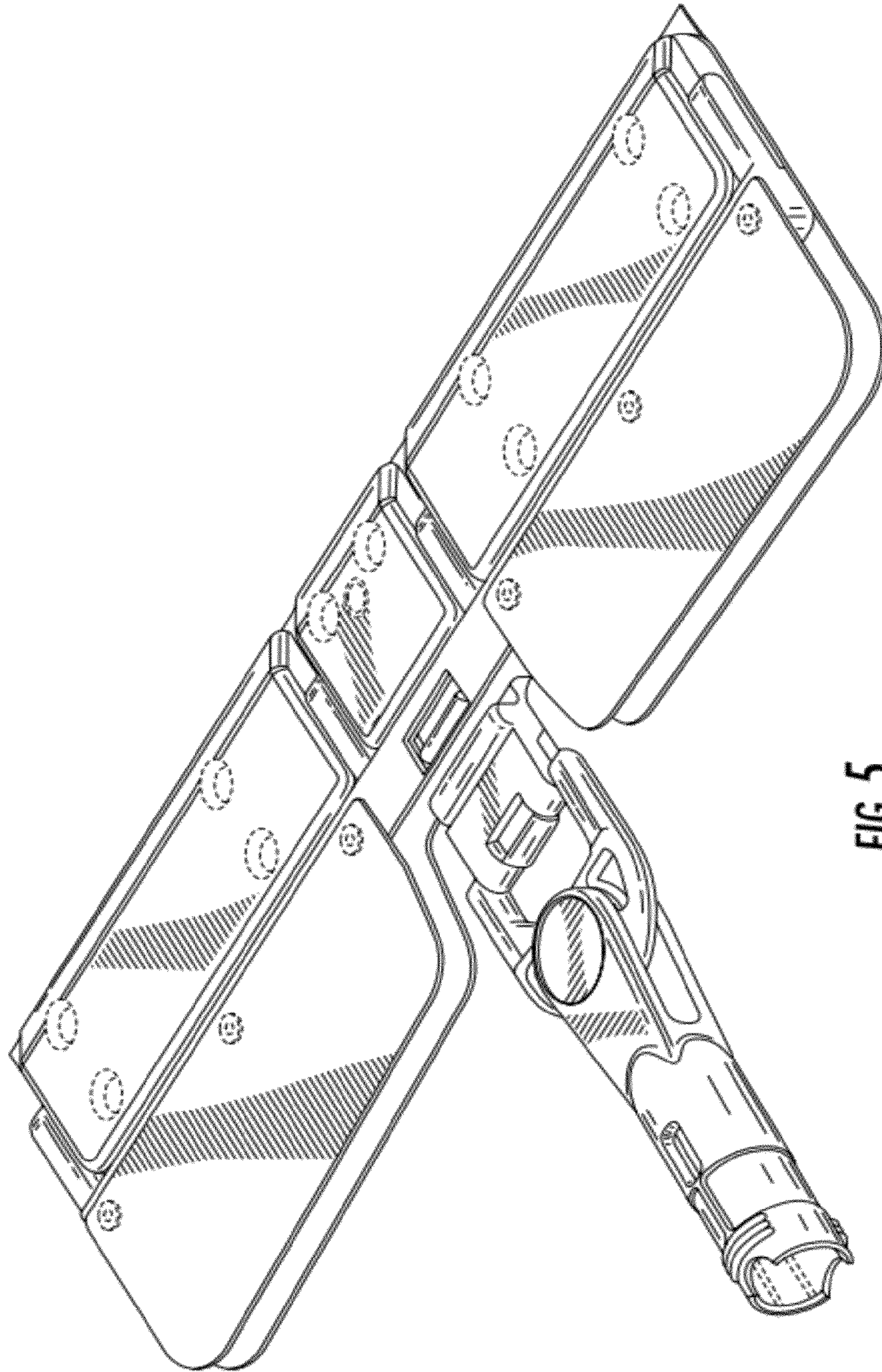


FIG. 5

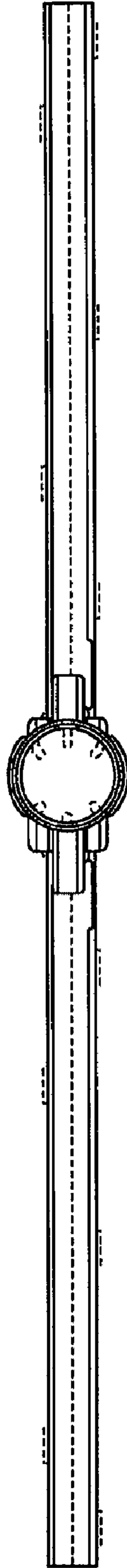


FIG. 6

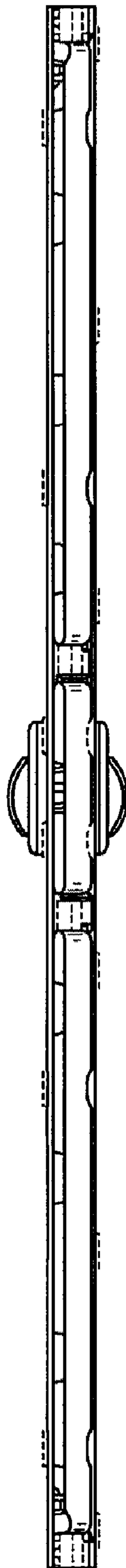


FIG. 7