



US00D672106S

(12) **United States Design Patent**  
**Lee**

(10) **Patent No.:** **US D672,106 S**  
(45) **Date of Patent:** **\*\* Dec. 4, 2012**

(54) **RETRACTABLE SCRAPING APPARATUS**

(76) Inventor: **James Lee**, Baton Rouge, LA (US)

(\*\*) Term: **14 Years**

(21) Appl. No.: **29/336,137**

(22) Filed: **Apr. 29, 2009**

**Related U.S. Application Data**

(63) Continuation-in-part of application No. 11/969,578, filed on Jan. 4, 2008, now abandoned.

(51) **LOC (9) Cl.** ..... **15-05**

(52) **U.S. Cl.** ..... **D32/49**

(58) **Field of Classification Search** ..... D8/14,  
D8/10; D32/46, 49; 15/144.4, 236.01, 429,  
15/144.3; 30/164.4, 169, 164.5-164.7

See application file for complete search history.

(56) **References Cited**

**U.S. PATENT DOCUMENTS**

2,236,323	A *	3/1941	Stachowiak	.....	30/169
2,535,253	A *	12/1950	Anderson	.....	30/128
D303,037	S *	8/1989	Kushitani	.....	D2/911
D313,682	S *	1/1991	Martin et al.	.....	D32/49
D368,345	S *	3/1996	Fisher	.....	D32/49
5,606,761	A *	3/1997	Lynch	.....	15/144.4
D405,930	S *	2/1999	Tisbo et al.	.....	D32/49
D424,385	S *	5/2000	Tisbo et al.	.....	D8/1

D431,101	S *	9/2000	Gracy	.....	D32/49
6,237,225	B1 *	5/2001	Tarrant	.....	30/169
D570,063	S *	5/2008	Manak	.....	D32/49
7,930,795	B1 *	4/2011	Johnston	.....	15/236.02
2009/0172906	A1 *	7/2009	Lee	.....	15/236.01
2011/0000045	A1 *	1/2011	Muhlebach	.....	15/236.01
2011/0119853	A1 *	5/2011	Chen	.....	15/236.01

**OTHER PUBLICATIONS**

45 in. Telescoping Snow broom and Ice Scraper with 11 in. Pivoting Head. Downloaded Jan. 11, 2012 at <http://www.homedepot.com/webapp/wcs/stores/servlet/ProductDisplay?storeId=10051&pr...>\*

\* cited by examiner

*Primary Examiner* — Philip S Hyder

*Assistant Examiner* — Roselynn Cody

(74) *Attorney, Agent, or Firm* — Jerry D. Haynes; Law Office of Jerry D. Haynes, P.A.

(57) **CLAIM**

The ornamental design for a retractable scraping apparatus, as shown and described.

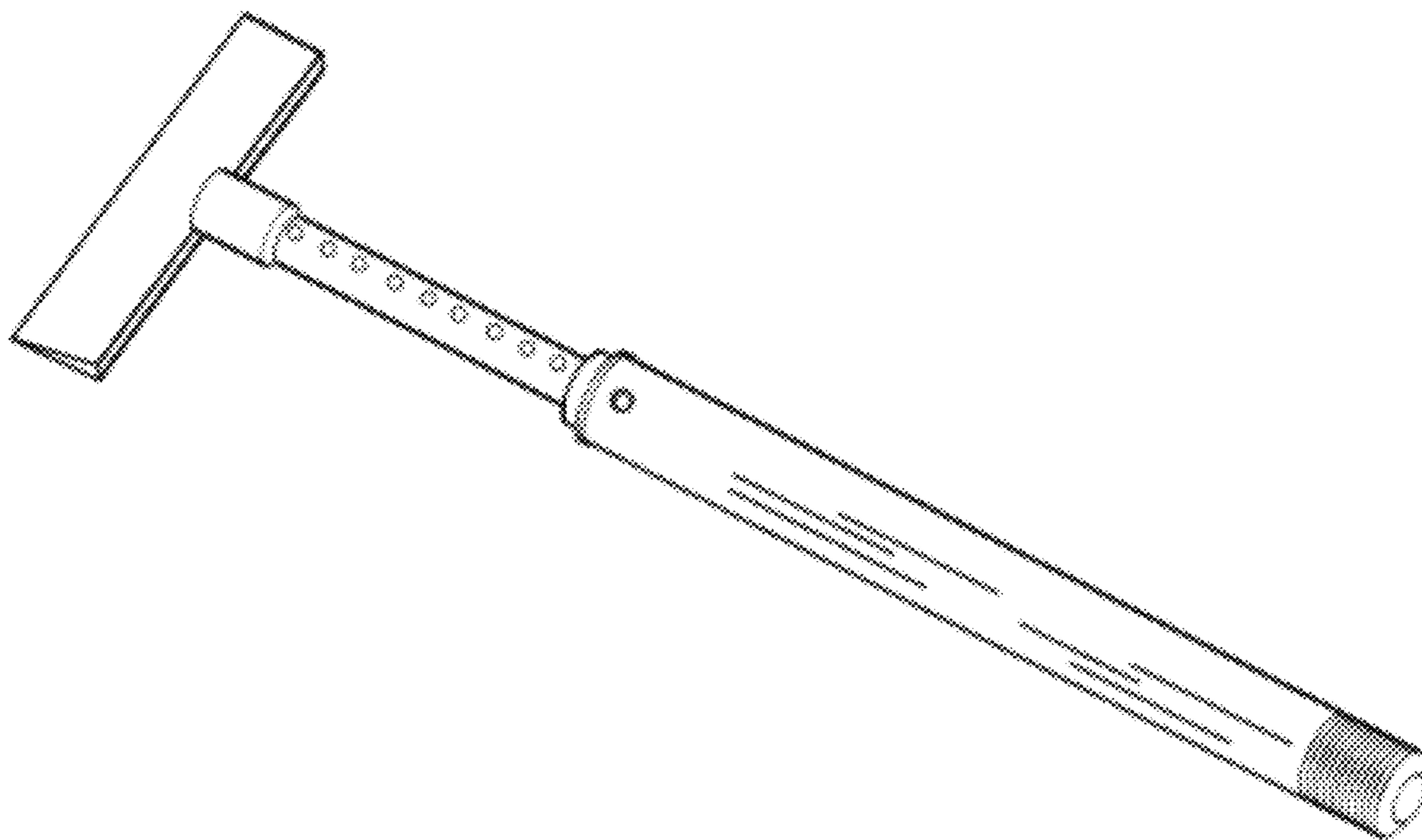
**DESCRIPTION**

FIG. 1 is a perspective view of a retractable scraping apparatus;

FIG. 2 is a top view of the retractable scraping apparatus of FIG. 1; and,

FIG. 3 is a bottom view of the retractable scraping apparatus of FIG. 1.

**1 Claim, 3 Drawing Sheets**



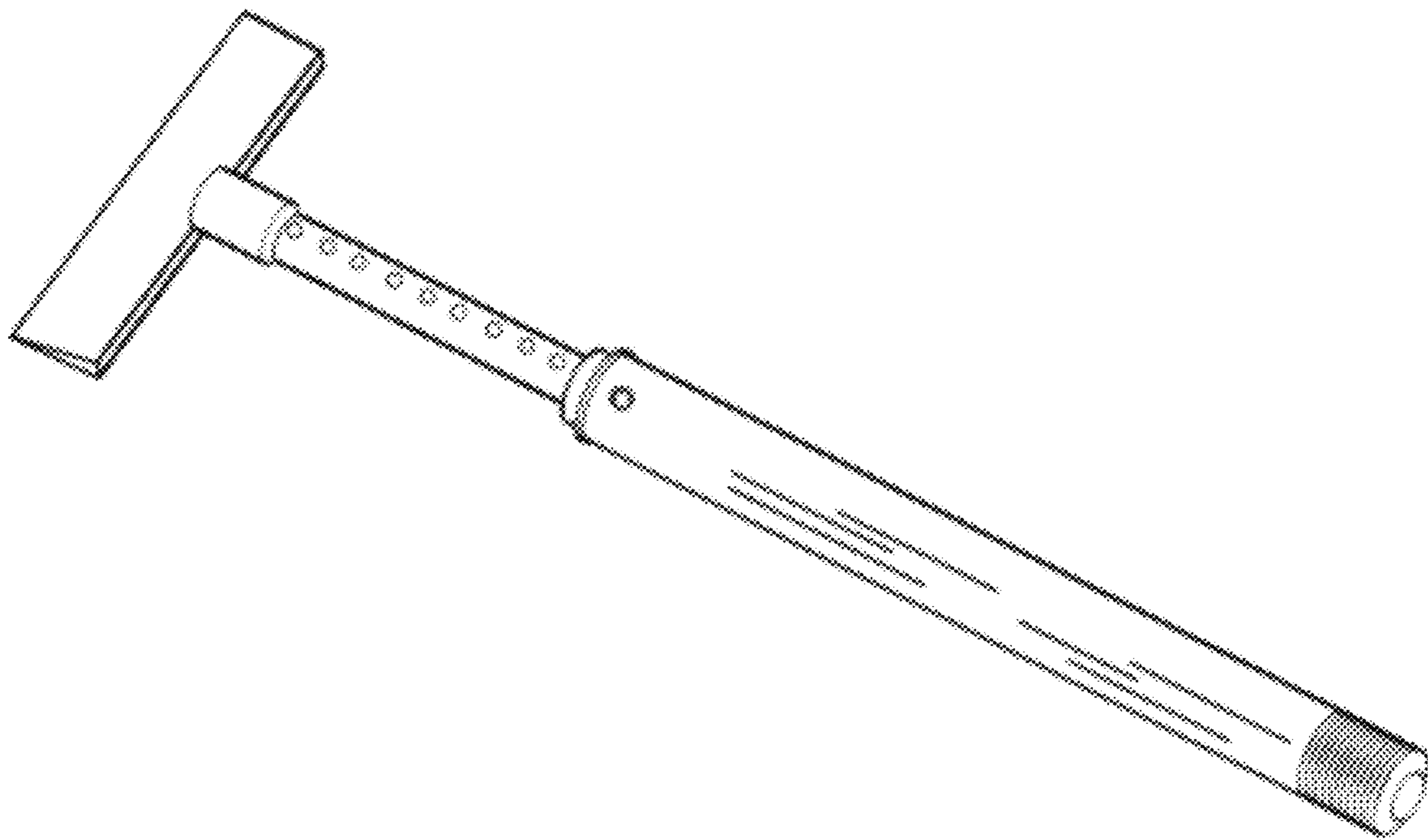


FIG. 1

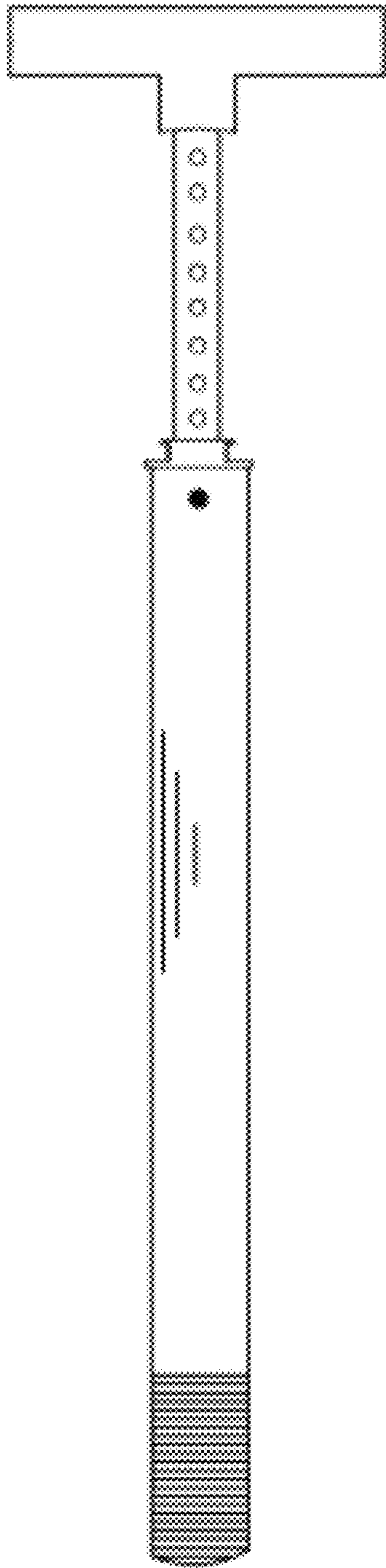


FIG. 2

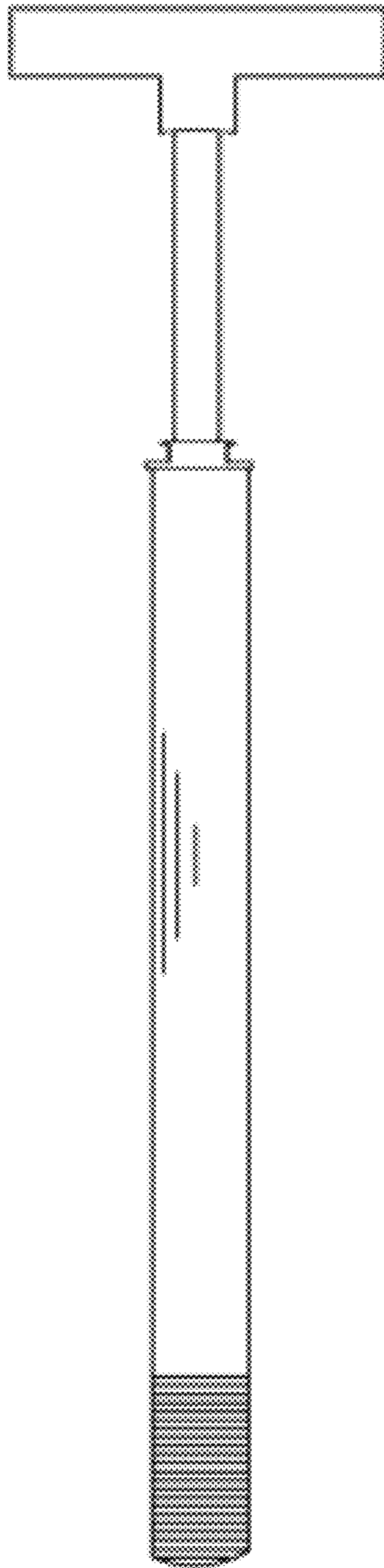


FIG. 3