



US00D672105S

(12) **United States Design Patent**
Restivo

(10) **Patent No.:** **US D672,105 S**
(45) **Date of Patent:** **** Dec. 4, 2012**

(54) **FAN BLADE CLEANING TOOL**

(76) Inventor: **David J. Restivo**, Mulkeytown, IL (US)

(**) Term: **14 Years**

(21) Appl. No.: **29/396,685**

(22) Filed: **Jul. 5, 2011**

(51) **LOC (9) Cl.** **15-05**

(52) **U.S. Cl.** **D32/33**

(58) **Field of Classification Search** D32/31-33,
D32/25; 15/329, 337, 338, 415.1, 416-422,
15/422.1, 93.1, 246.2, 322, 350-354, 361-363,
15/366, 378, 400-401, 414, 412, 344, 393,
15/395, 398

See application file for complete search history.

(56) **References Cited**

U.S. PATENT DOCUMENTS

D178,479 S *	8/1956	Zaidan	D32/33
D196,630 S *	10/1963	Berleme	D32/33
D296,022 S *	5/1988	Restivo	D32/51
D341,452 S *	11/1993	Songer	D32/33
5,410,776 A *	5/1995	Schneider	15/398
D395,102 S *	6/1998	Cika	D32/32
7,168,129 B2 *	1/2007	Smith	15/416
2005/0235456 A1 *	10/2005	Smith	15/416

* cited by examiner

Primary Examiner — Phillip S Hyder

(74) *Attorney, Agent, or Firm* — Arthur G. Yeager

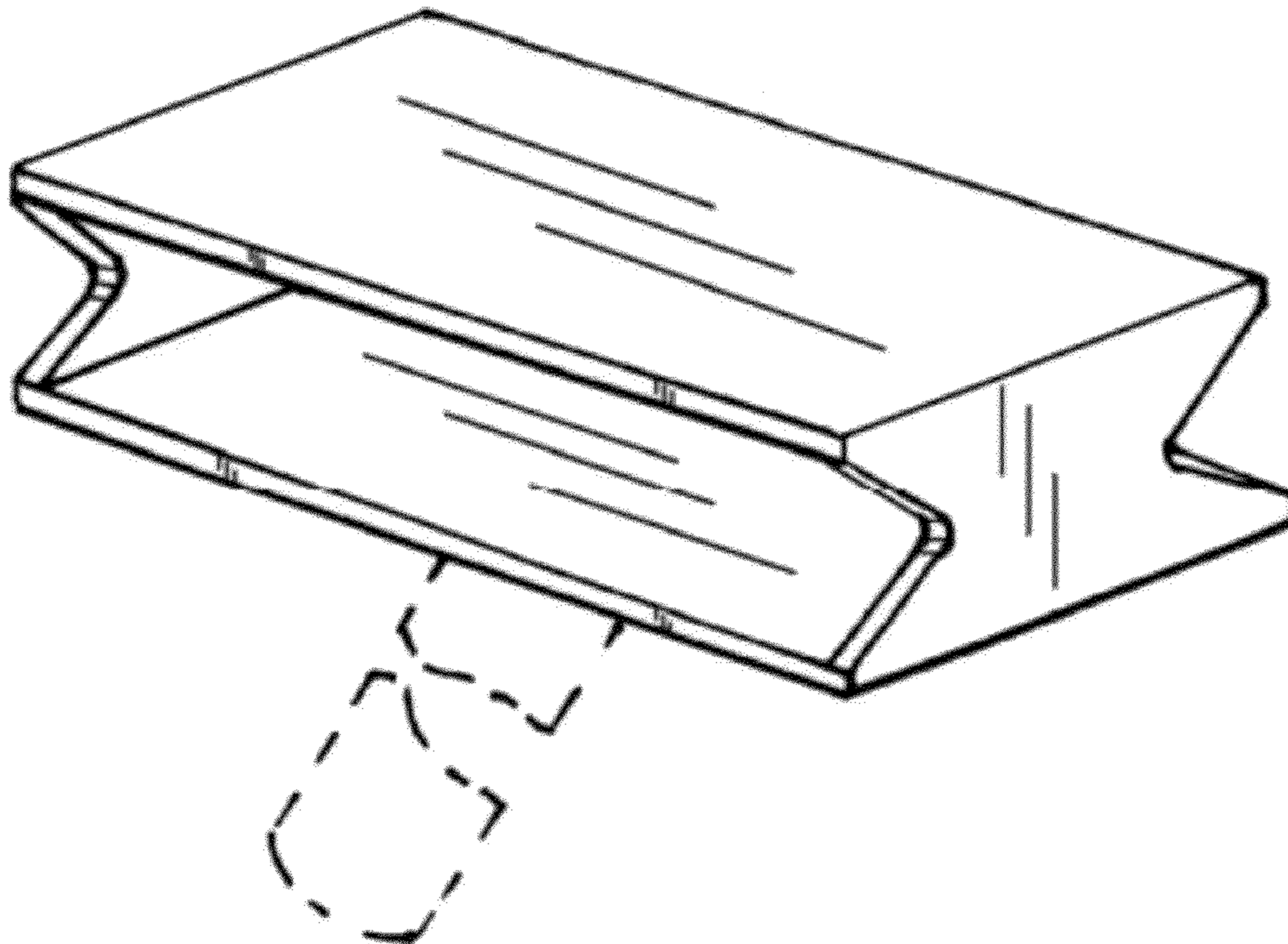
(57) **CLAIM**

The ornamental design for a fan blade cleaning tool, as shown and described.

DESCRIPTION

FIG. 1 is a perspective view of the top, front and right side, of the fan blade cleaning tool;
FIG. 2 is a top plan view thereof;
FIG. 3 is a bottom plan view thereof;
FIG. 4 is a left side view thereof;
FIG. 5 is a front end view thereof; and,
FIG. 6 is an enlarged perspective view thereof, showing the unclaimed pads wrapped around the top and bottom edge of the tool and fastened along the top and bottom of the tool. The broken lines show an elongated handle in FIGS. 1, 3, 4, 5, and 6 which forms no part of the claimed design. The other broken lines in FIG. 6 represent an upper and lower pad of chenille microfibers which extends out the tool front, only partially shown for clarity of illustration, and the dashed lines illustrating that the front portion of each pad continues across the front of the tool, and back ends and wraps around the front and back edges and is fastened along the top and bottom of the tool and forms no part of the claimed design.

1 Claim, 3 Drawing Sheets



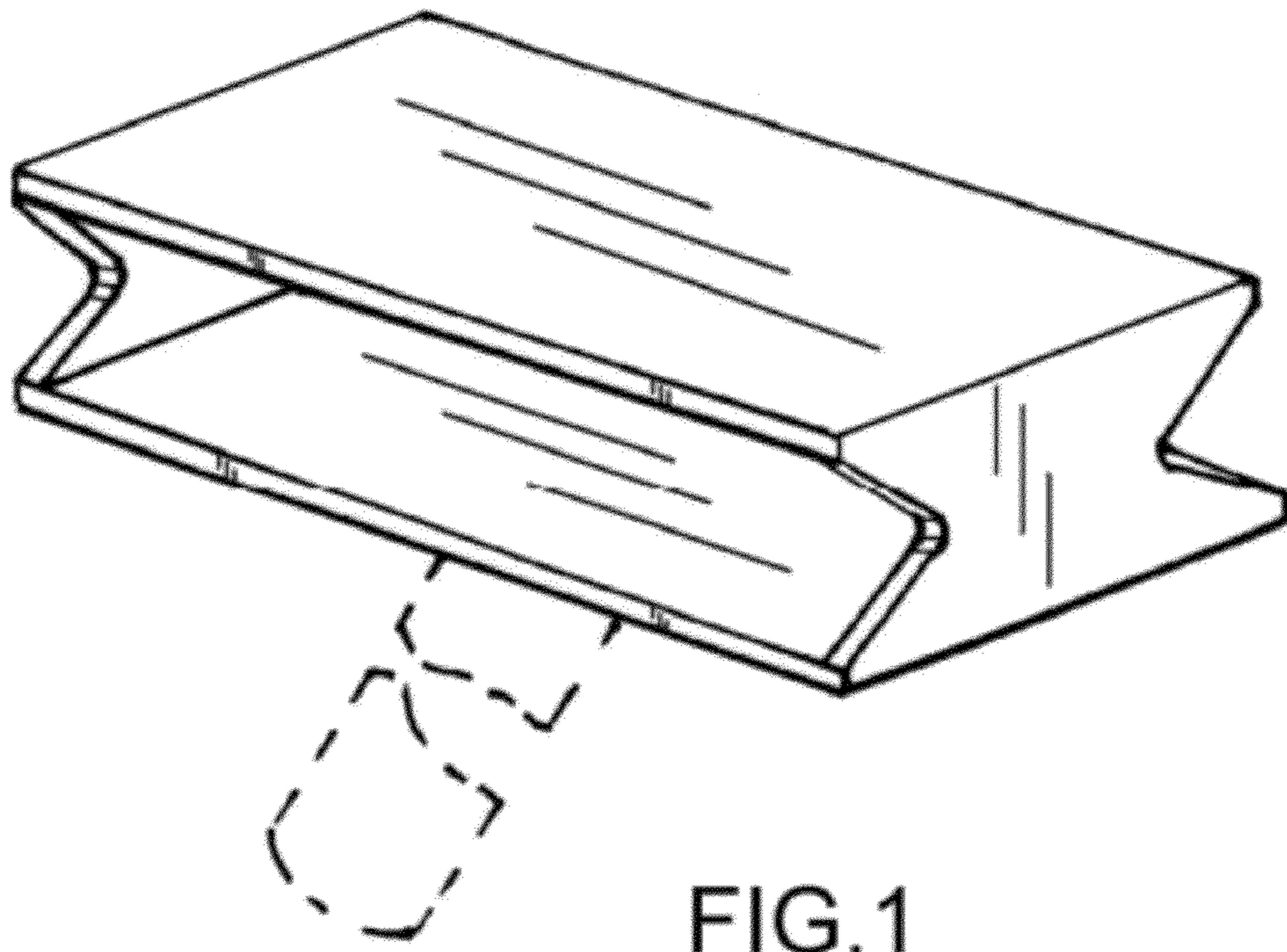


FIG. 1

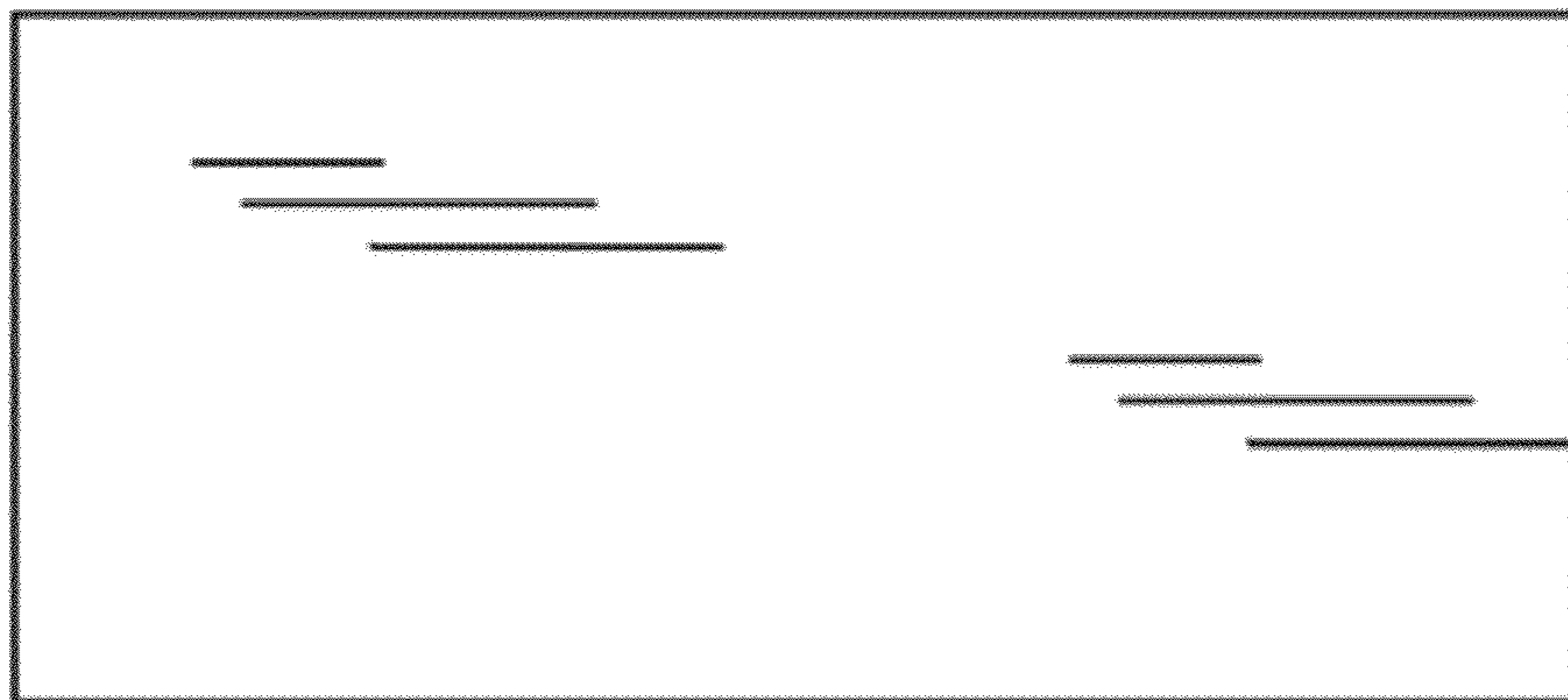


FIG. 2

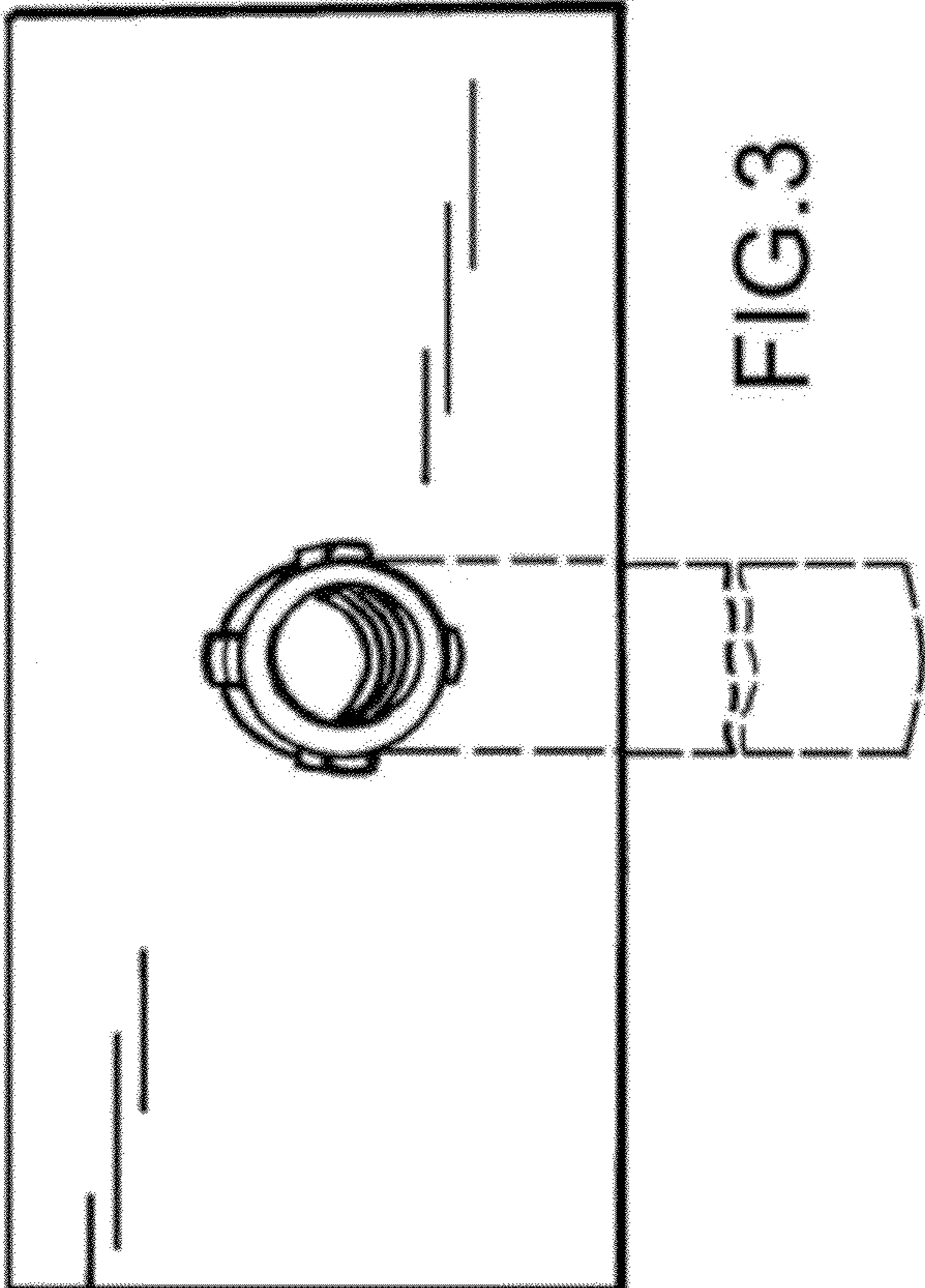


FIG. 3

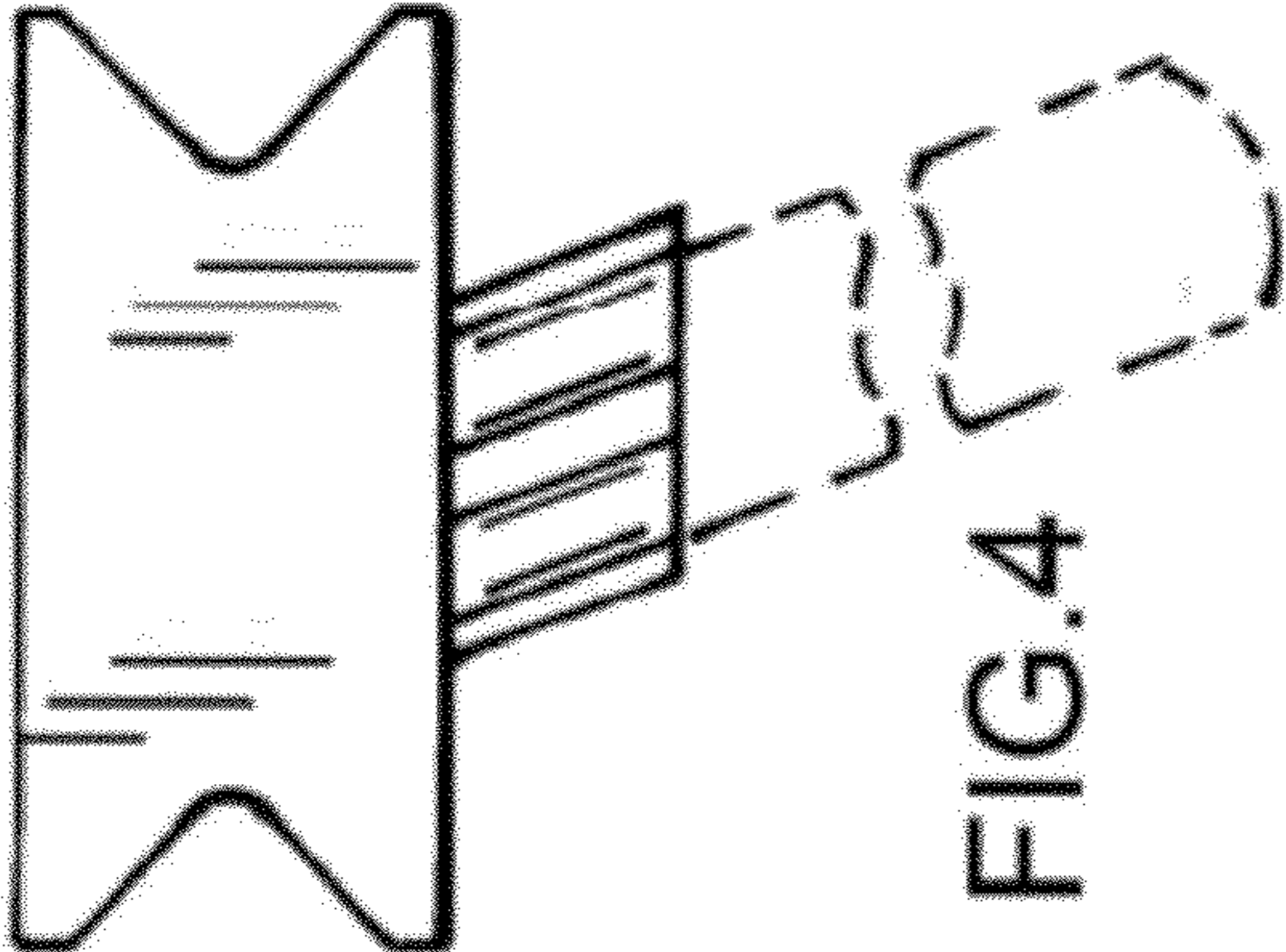


FIG. 4

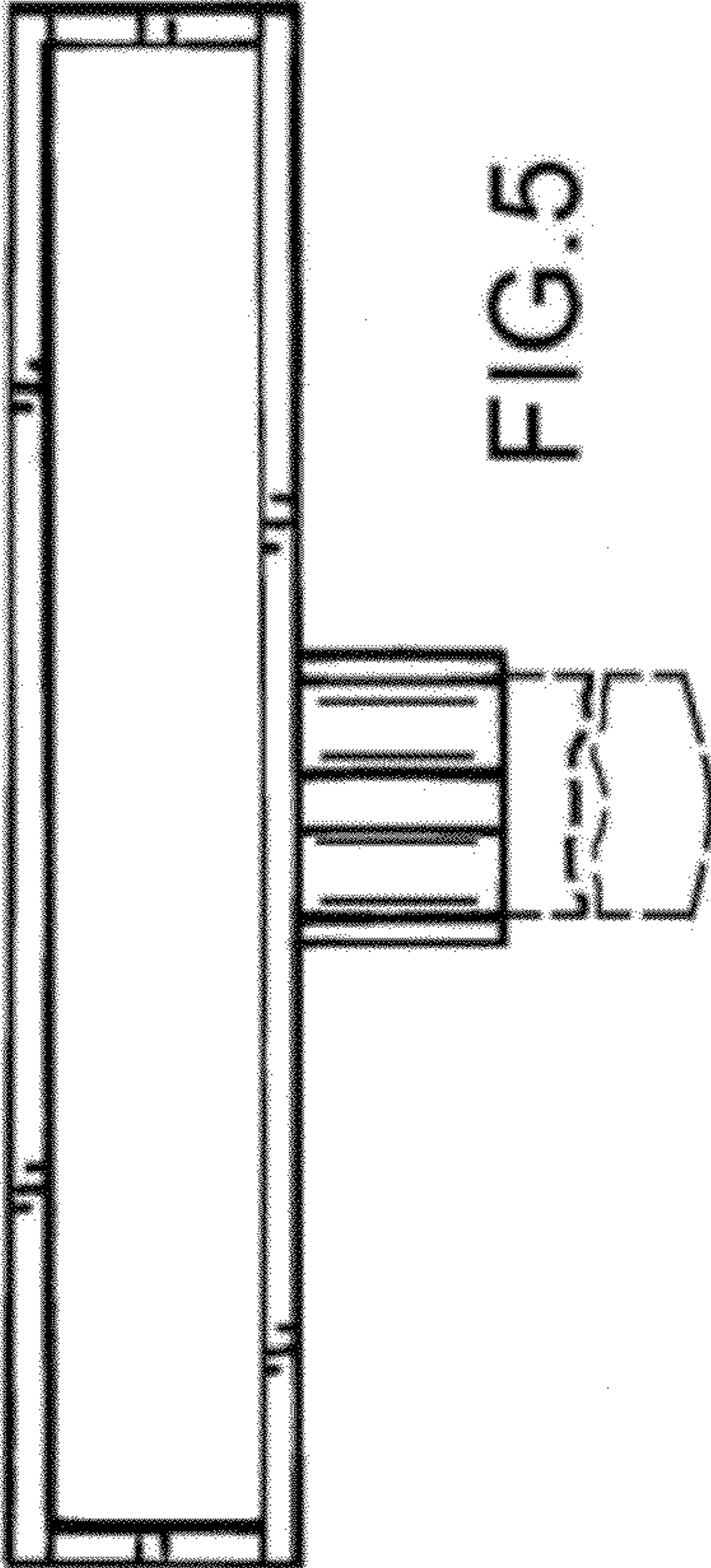


FIG. 5

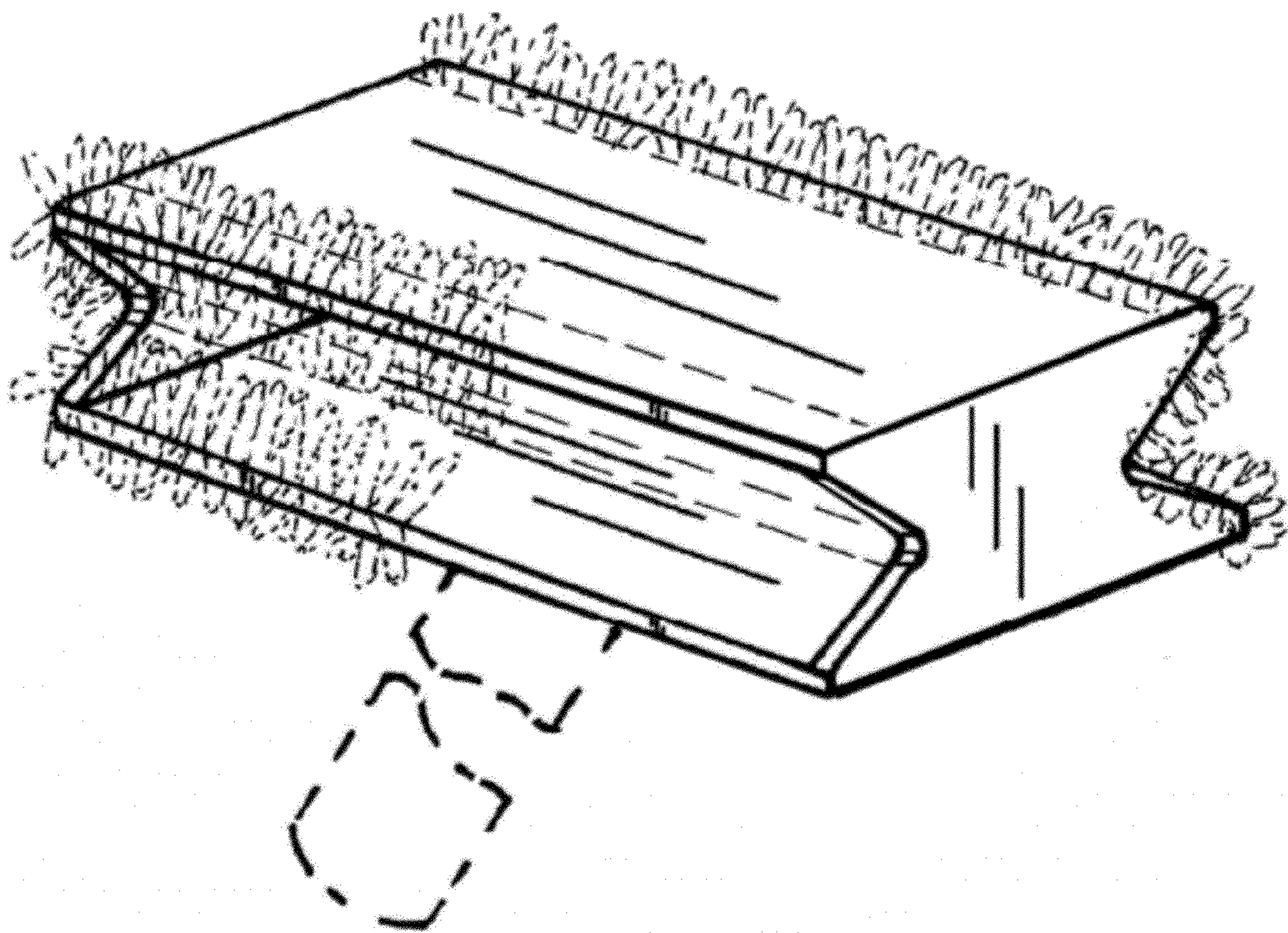


FIG.6