



US00D672104S

(12) **United States Design Patent**
Steele

(10) **Patent No.:** **US D672,104 S**
(45) **Date of Patent:** **** Dec. 4, 2012**

(54) **VACUUM CLEANER BRUSH ATTACHMENT**

D565,263 S * 3/2008 Wishney D32/32
D590,553 S * 4/2009 Crevling et al. D32/31
D621,112 S * 8/2010 Benacquisto D32/33

(75) Inventor: **Daniel L. Steele**, Concord, OH (US)

FOREIGN PATENT DOCUMENTS

(73) Assignee: **The Scott Fetzer Company**, Westlake, OH (US)

JP 1122770 S 10/2001

(**) Term: **14 Years**

OTHER PUBLICATIONS

(21) Appl. No.: **29/366,246**

Russian Official Action issued by the Russian Patent Office on Dec. 21, 2010 for Russian Patent Application No. 2010503783, along with English translation thereof.

(22) Filed: **Jul. 22, 2010**

* cited by examiner

(51) **LOC (9) Cl.** **15-05**

Primary Examiner — Rosemary K Tarcza

(52) **U.S. Cl.** **D32/33**

(74) *Attorney, Agent, or Firm* — Jones Day

(58) **Field of Classification Search** D32/31–34;
15/414–422.1, 236.04, 144.4, 144.3, 406,
15/104.05, 383, 377, 412, 400–402, 387,
15/322, 344

(57) **CLAIM**

The ornamental design for a vacuum cleaner brush attachment, as shown and described.

See application file for complete search history.

DESCRIPTION

(56) **References Cited**

U.S. PATENT DOCUMENTS

D98,082 S * 1/1936 Lofgren D32/33
D141,802 S * 7/1945 Wittke D32/33
D178,141 S * 6/1956 Martinee D32/33
D179,671 S * 2/1957 Andersson-Sason D32/33
D200,194 S * 2/1965 Frost D32/33
D266,962 S * 11/1982 Hachtmann et al. D32/33
4,554,702 A 11/1985 Kochte et al.
4,589,161 A 5/1986 Kochte et al.
D350,852 S * 9/1994 Ferrazzutti D4/129
D444,925 S * 7/2001 Monette D30/158
D470,633 S * 2/2003 Kitts D32/33
D520,202 S * 5/2006 Dyson et al. D32/33

FIG. 1 is a perspective view of a vacuum cleaner brush attachment showing my new design.

FIG. 2 is another perspective view thereof;

FIG. 3 is another perspective view thereof;

FIG. 4 is another perspective view thereof;

FIG. 5 is another perspective view thereof;

FIG. 6 is a side view thereof, the opposite side view being a mirror image.

FIG. 7 is a front view thereof.

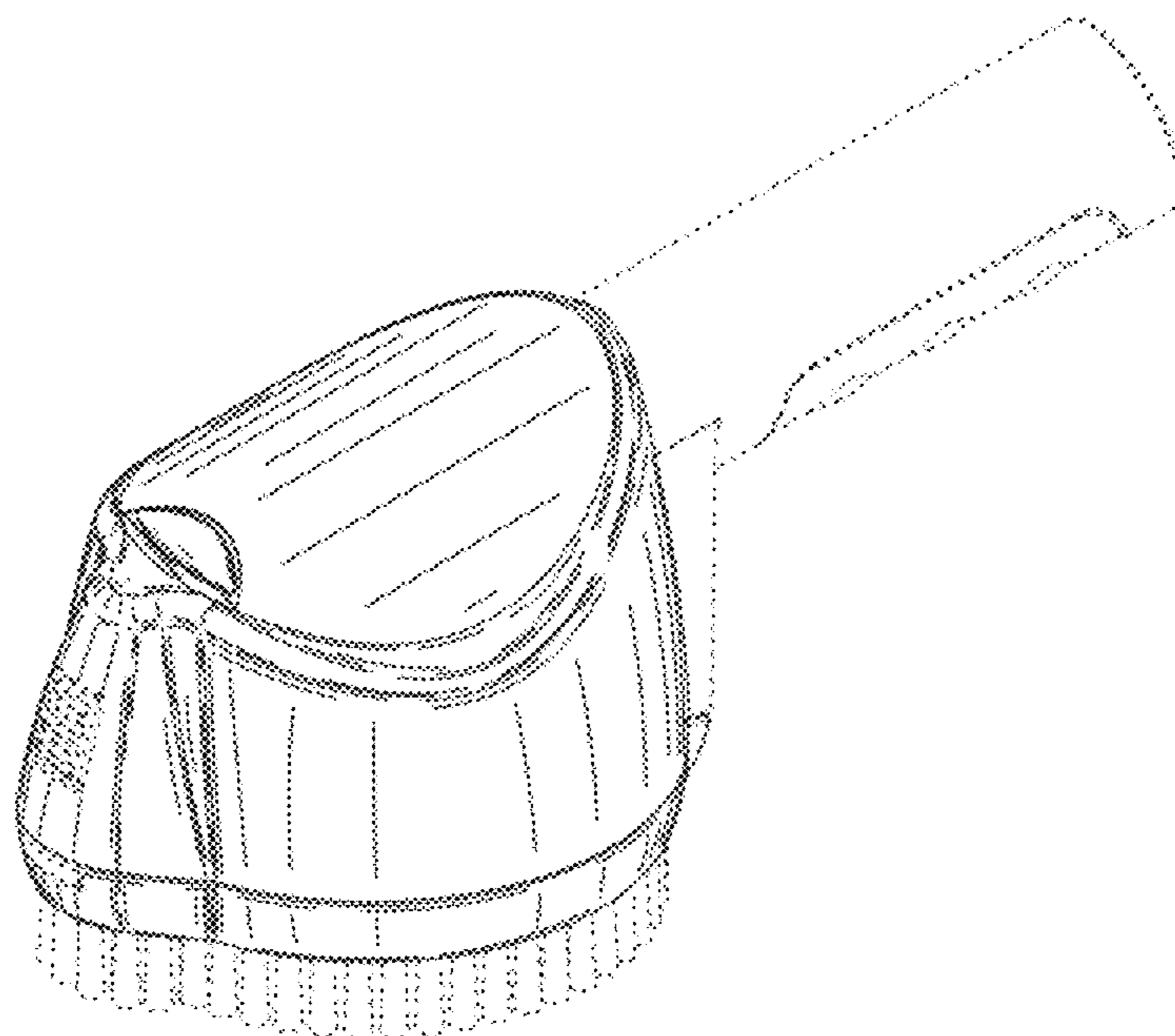
FIG. 8 is a rear view thereof.

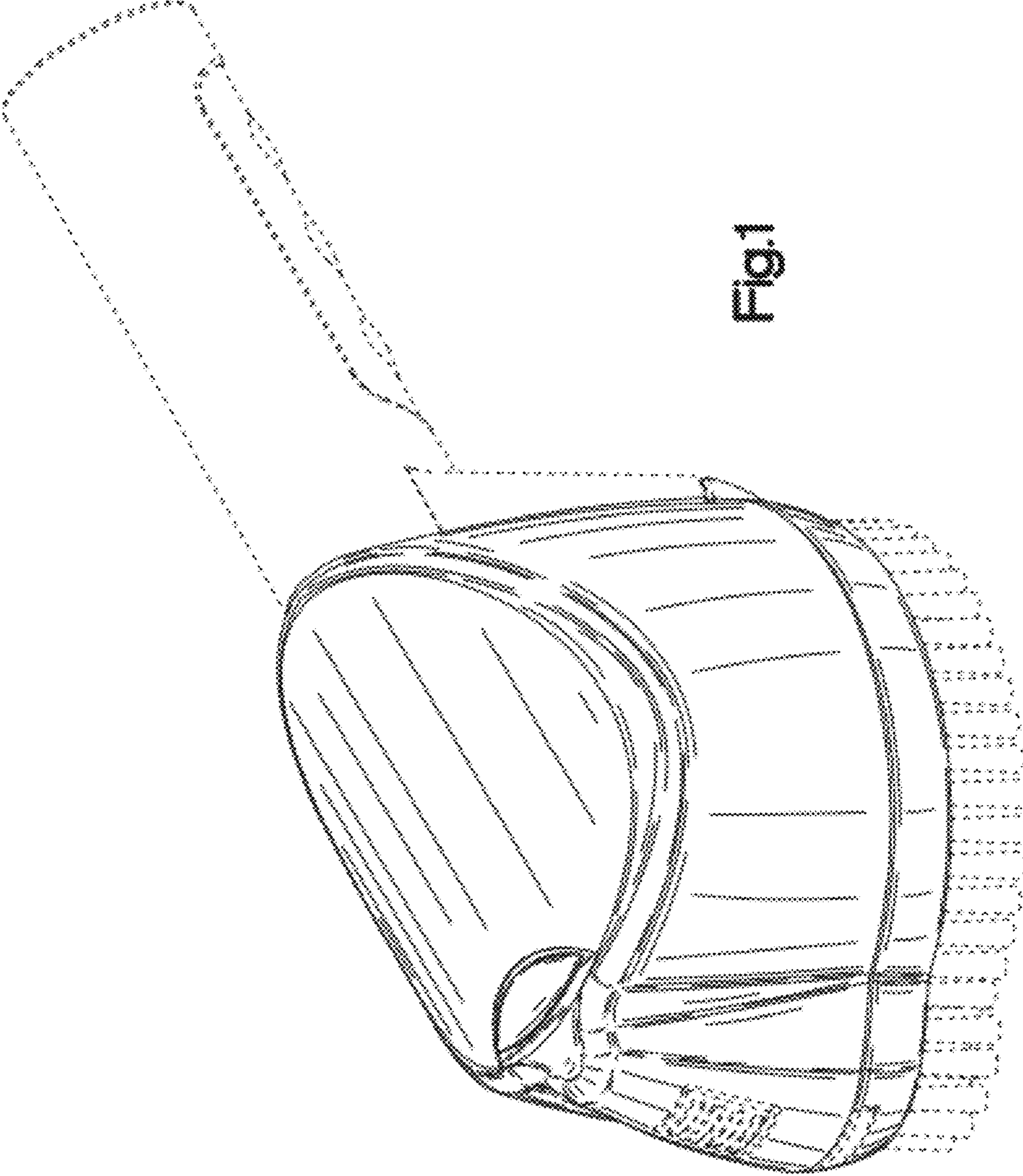
FIG. 9 is a top view thereof; and,

FIG. 10 is a bottom view thereof.

The broken lines shown in the drawings are included for the purpose of illustrating environmental structure and form no part of the claimed design.

1 Claim, 7 Drawing Sheets





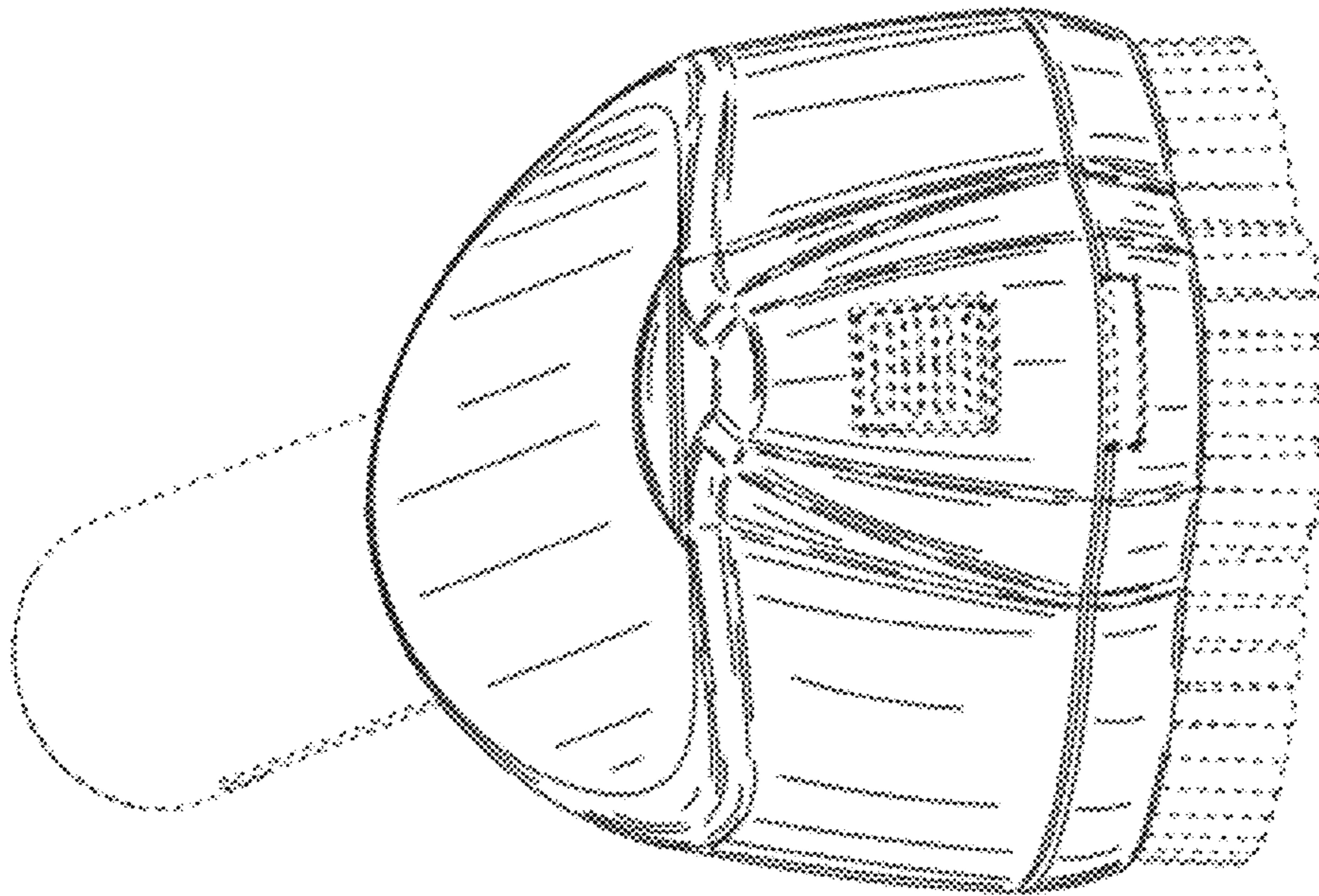


Fig.3

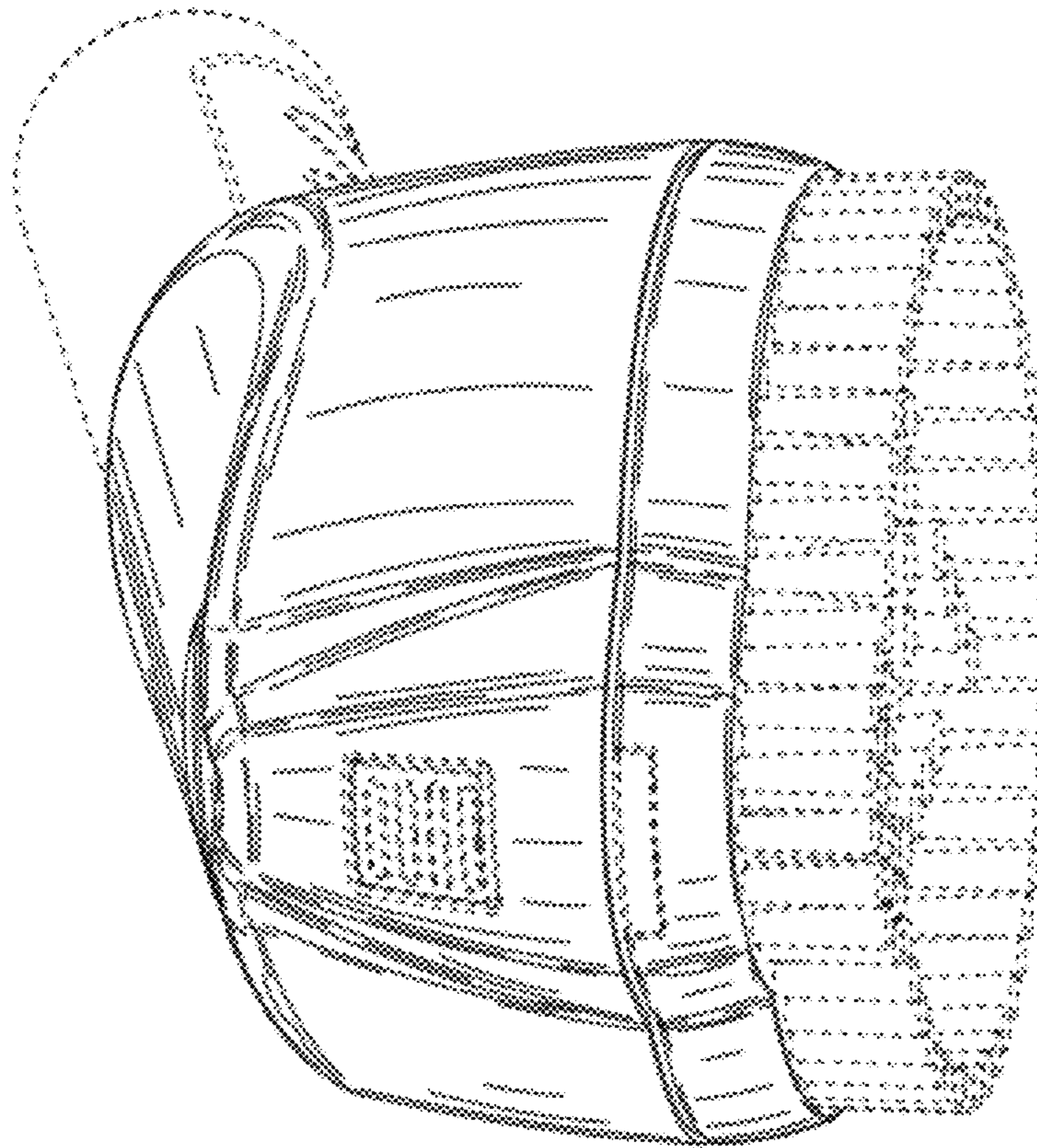


Fig.2

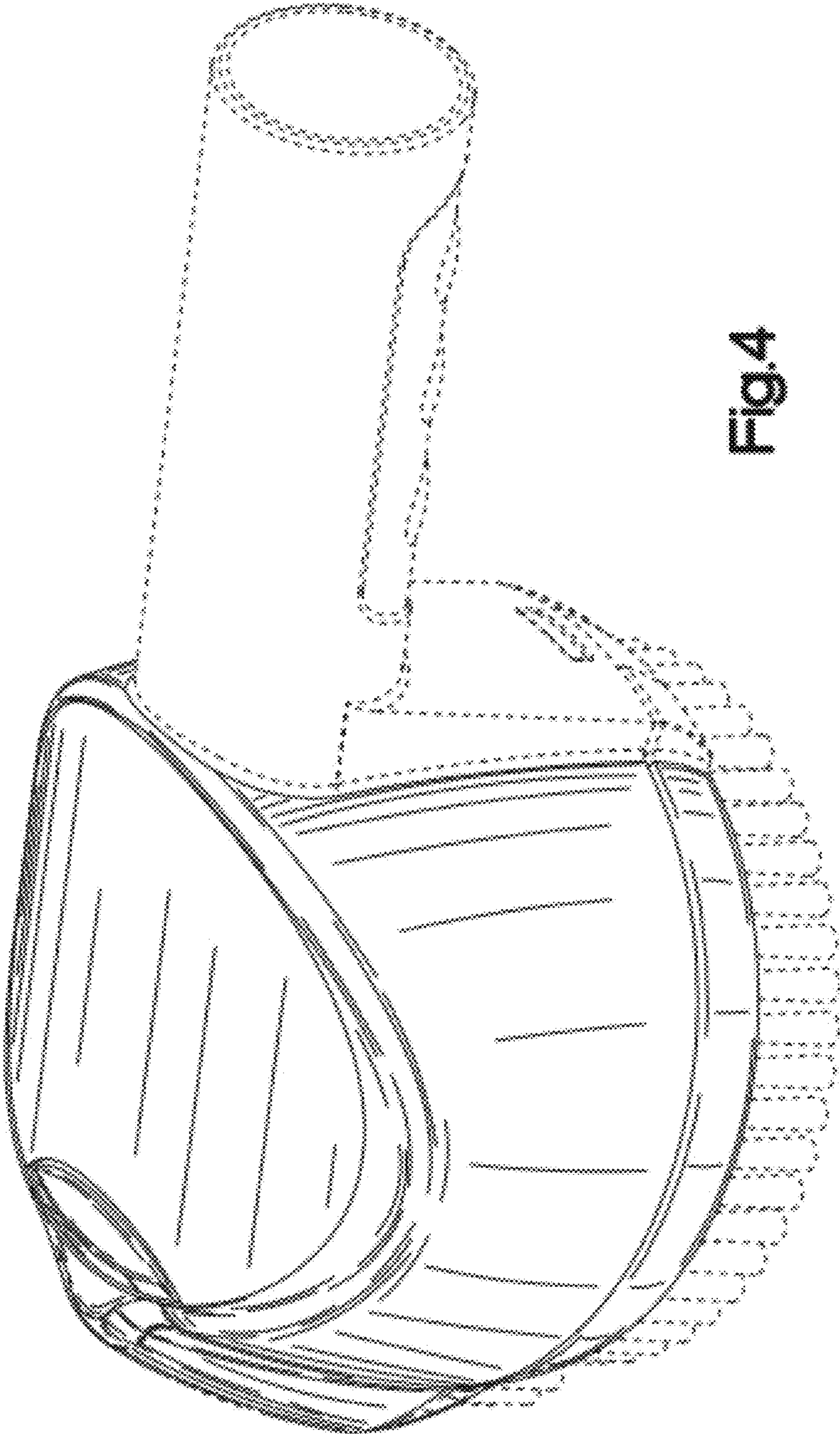


Fig.4

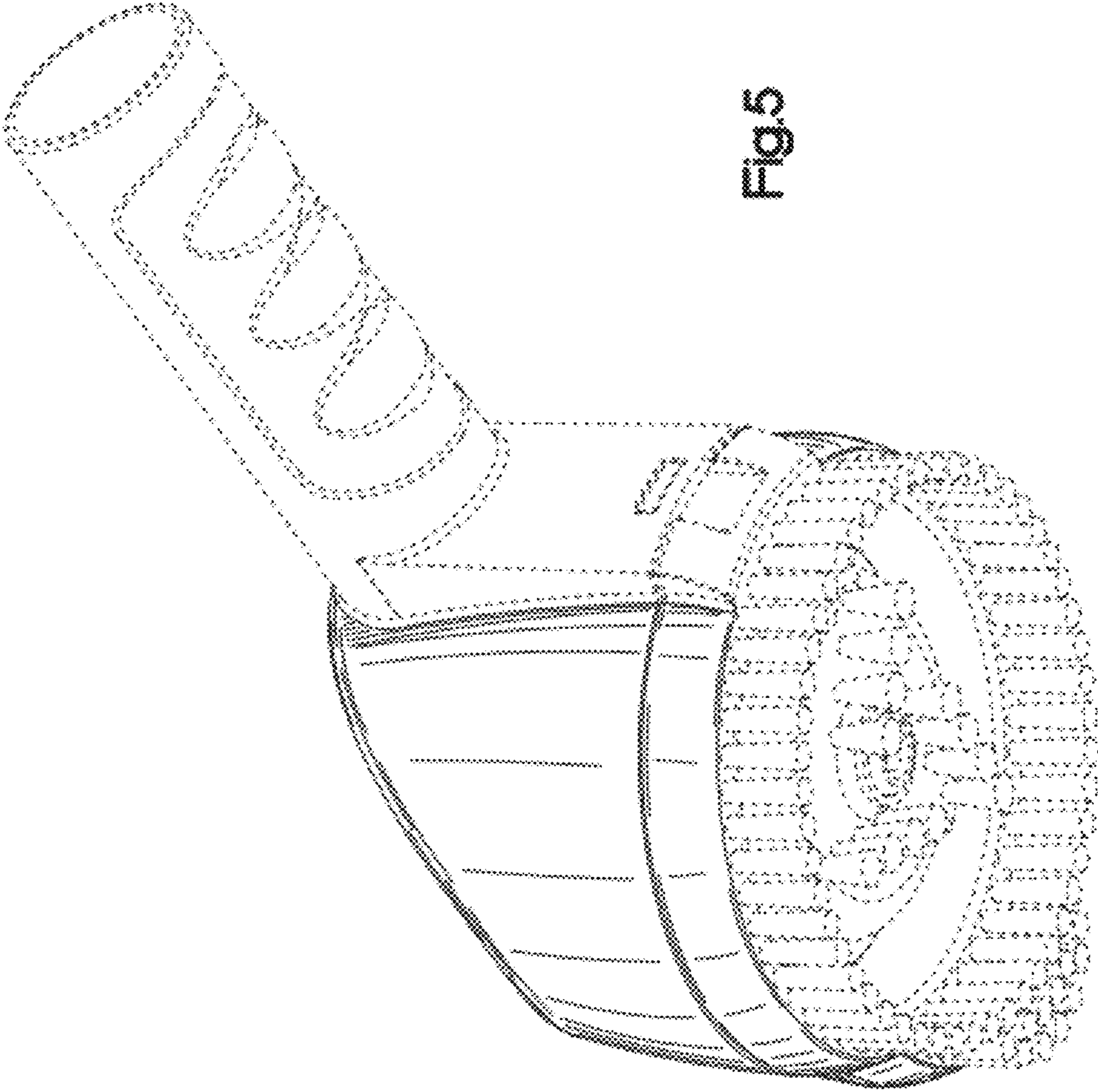


Fig. 5

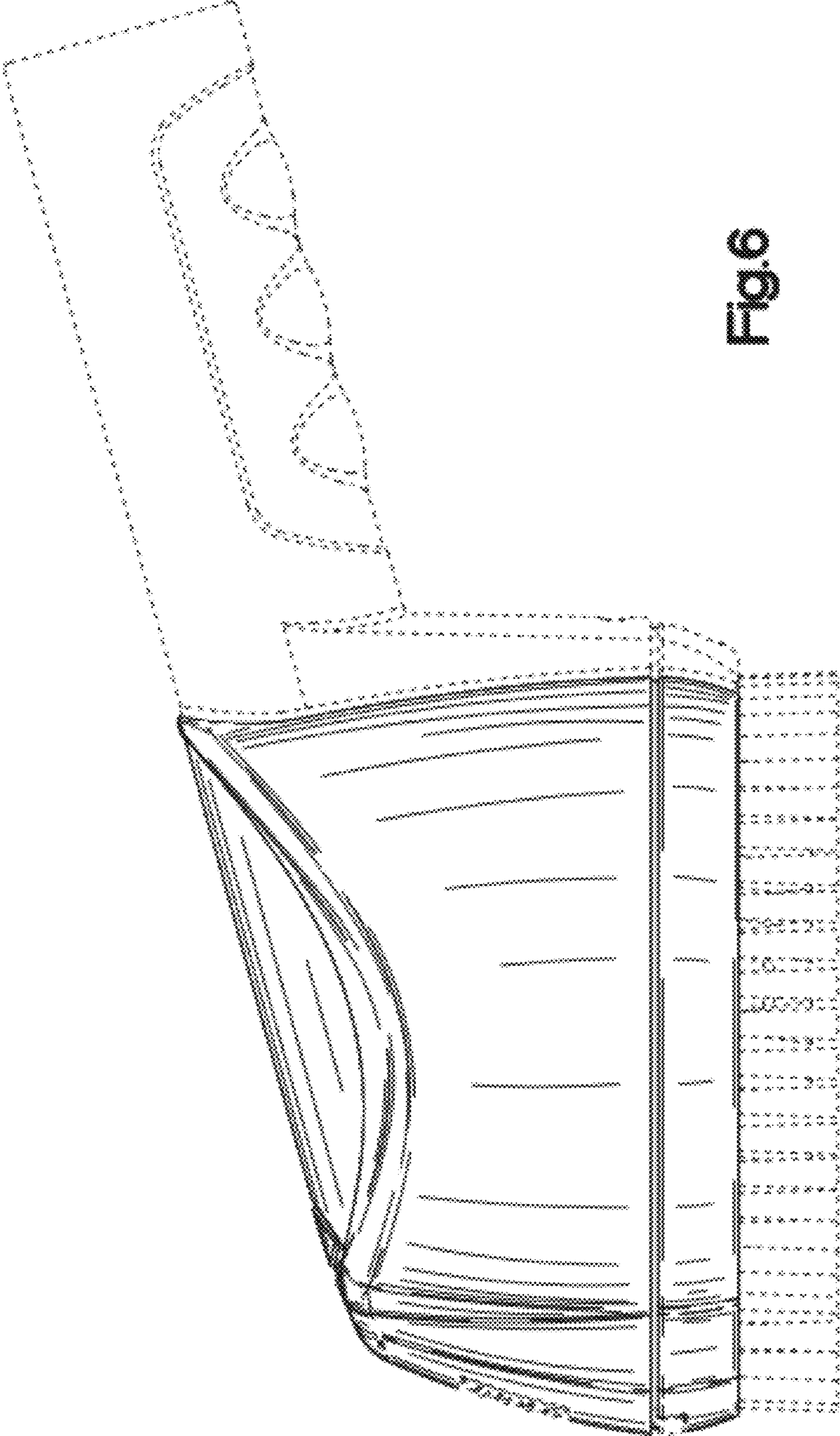


Fig. 6

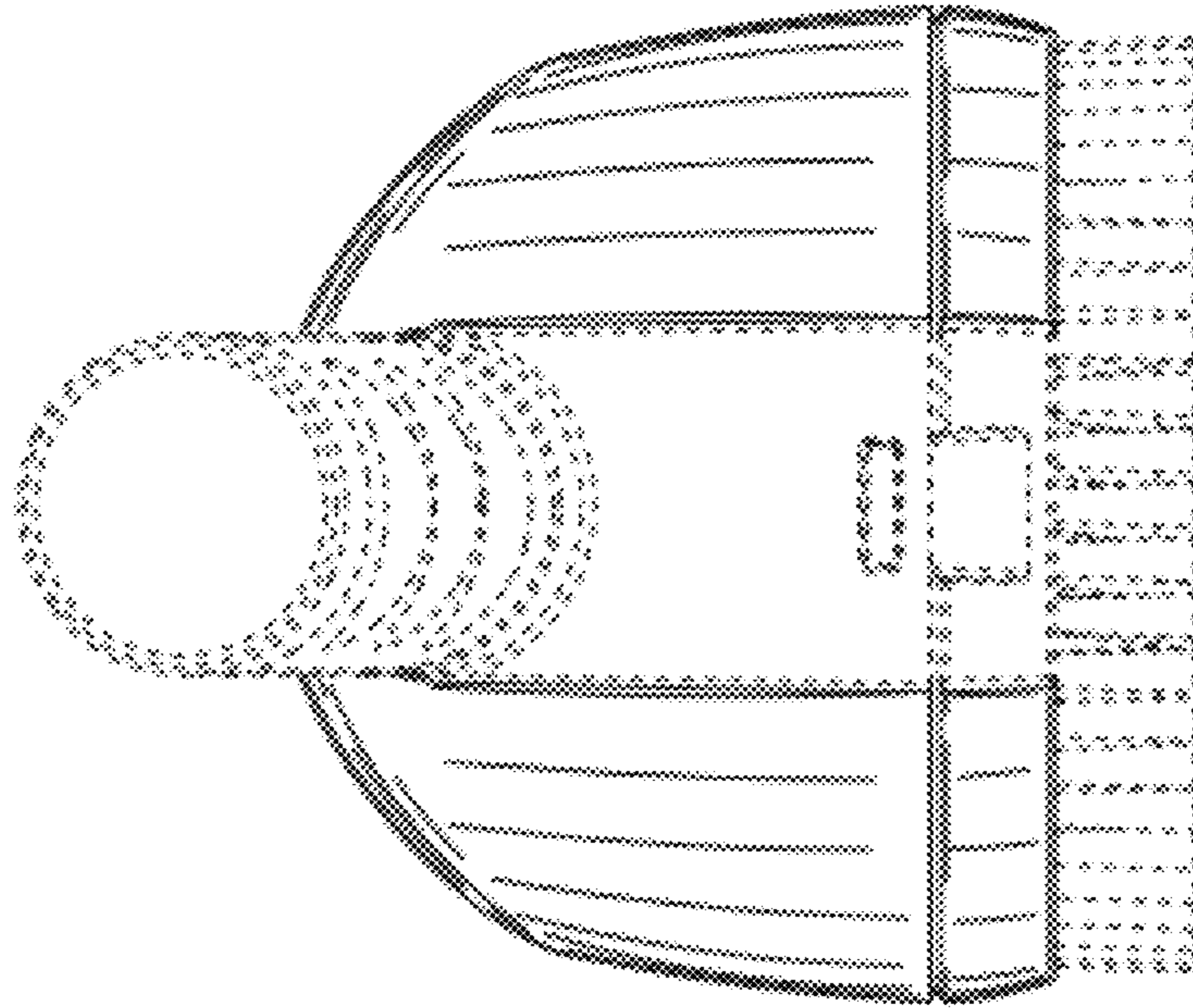


Fig. 8

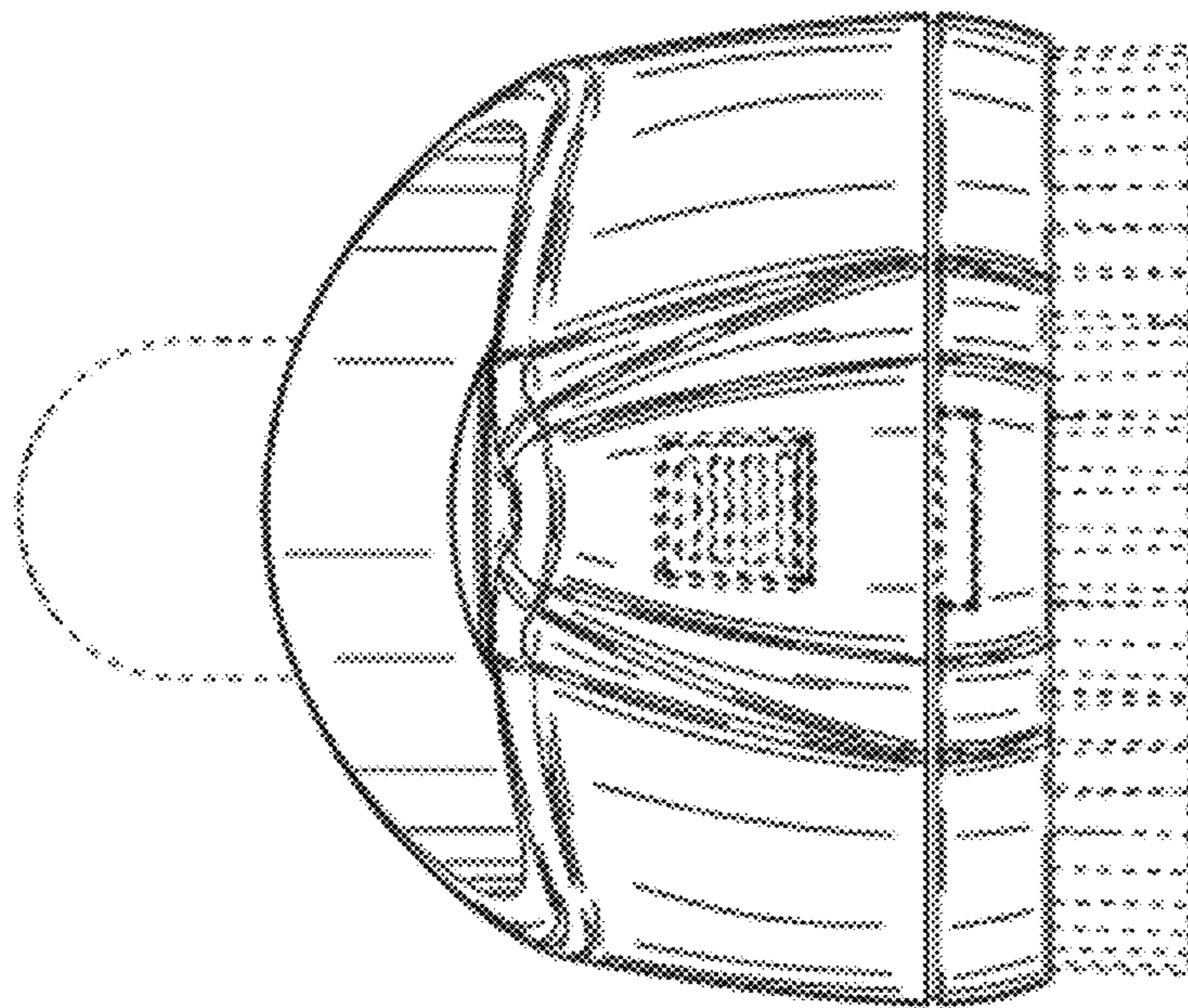


Fig. 7

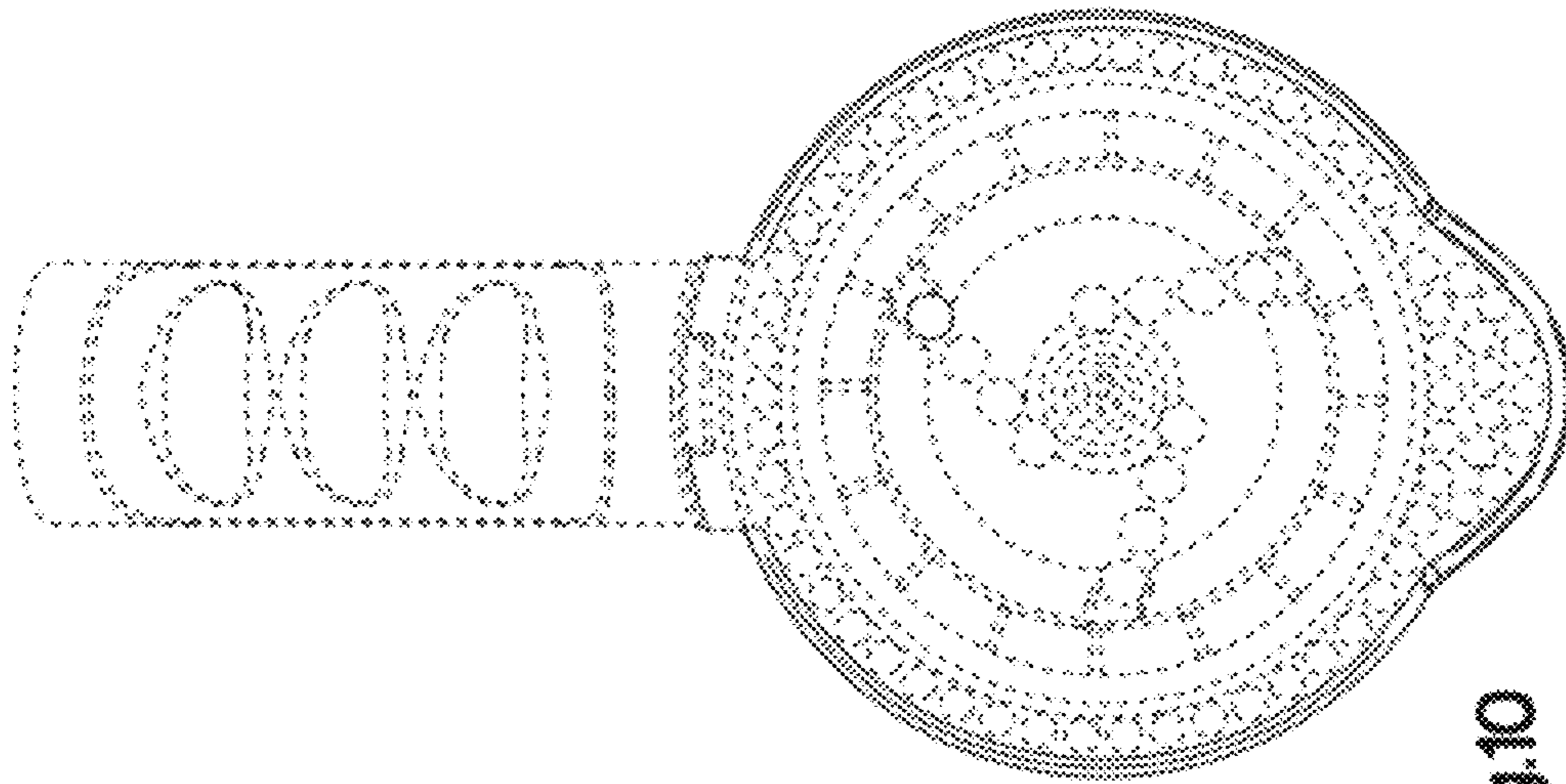


Fig.10

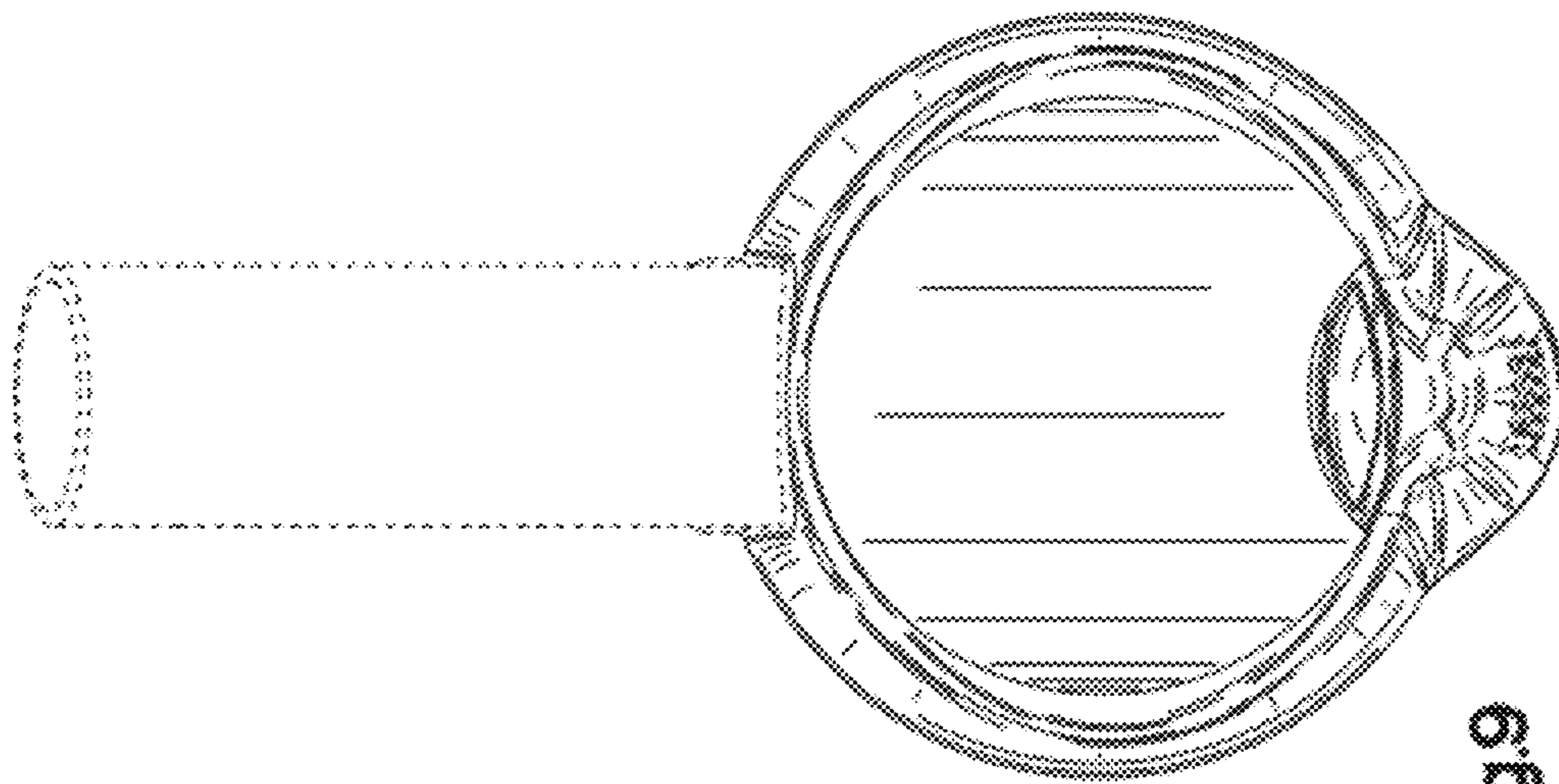


Fig.9