



US00D672103S

(12) **United States Design Patent**
Dyson et al.

(10) **Patent No.:** **US D672,103 S**
(45) **Date of Patent:** **** Dec. 4, 2012**

(54) **PART OF A VACUUM CLEANER**

(75) Inventors: **James Dyson**, Malmesbury (GB); **Peter David Gammack**, Malmesbury (GB); **Alistair William Skuse**, Malmesbury (GB); **Stephen Robert Dimbylow**, Malmesbury (GB)

(73) Assignee: **Dyson Limited**, Malmesbury (GB)

(**) Term: **14 Years**

(21) Appl. No.: **29/394,421**

(22) Filed: **Jun. 16, 2011**

(30) **Foreign Application Priority Data**

Dec. 22, 2010 (EM) 001251383-0003

(51) **LOC (9) Cl.** **15-05**

(52) **U.S. Cl.** **D32/32**

(58) **Field of Classification Search** D32/31-33,
D32/25; 15/329, 337, 338, 415.1, 416-422,
15/422.1, 93.1, 246.2, 322, 350-354, 361-363,
15/366, 378, 400-401, 414, 412, 344
See application file for complete search history.

(56) **References Cited**

U.S. PATENT DOCUMENTS

5,497,532 A * 3/1996 Glatz 15/401
5,564,161 A * 10/1996 Glatz 15/415.1
D427,737 S * 7/2000 Dyson et al. D32/32
D449,724 S * 10/2001 Nighy et al. D32/32
D456,967 S * 5/2002 Santiago D32/32

D460,231 S * 7/2002 Bagwell et al. D32/32
D507,854 S * 7/2005 Kim D32/32
D511,231 S * 11/2005 Langham et al. D32/33
D518,932 S * 4/2006 Maruyama et al. D32/32
D518,933 S * 4/2006 Courtney D32/32
D564,720 S * 3/2008 Dyson et al. D32/32
D565,265 S * 3/2008 Quance et al. D32/32
D599,515 S * 9/2009 Davies et al. D32/32
D600,869 S * 9/2009 Dyson et al. D32/32
D616,164 S * 5/2010 McLeod et al. D32/32
D643,168 S * 8/2011 Dyson et al. D32/32
D649,725 S * 11/2011 Fjellman D32/32
2009/0320235 A1 * 12/2009 Lee 15/415.1
2010/0229339 A1 * 9/2010 Lambourn 15/415.1
2010/0306957 A1 * 12/2010 Follows et al. 15/363
2011/0214252 A1 * 9/2011 McLeod et al. 15/415.1

* cited by examiner

Primary Examiner — Ruth McInroy

(74) *Attorney, Agent, or Firm* — Morrison & Foerster LLP

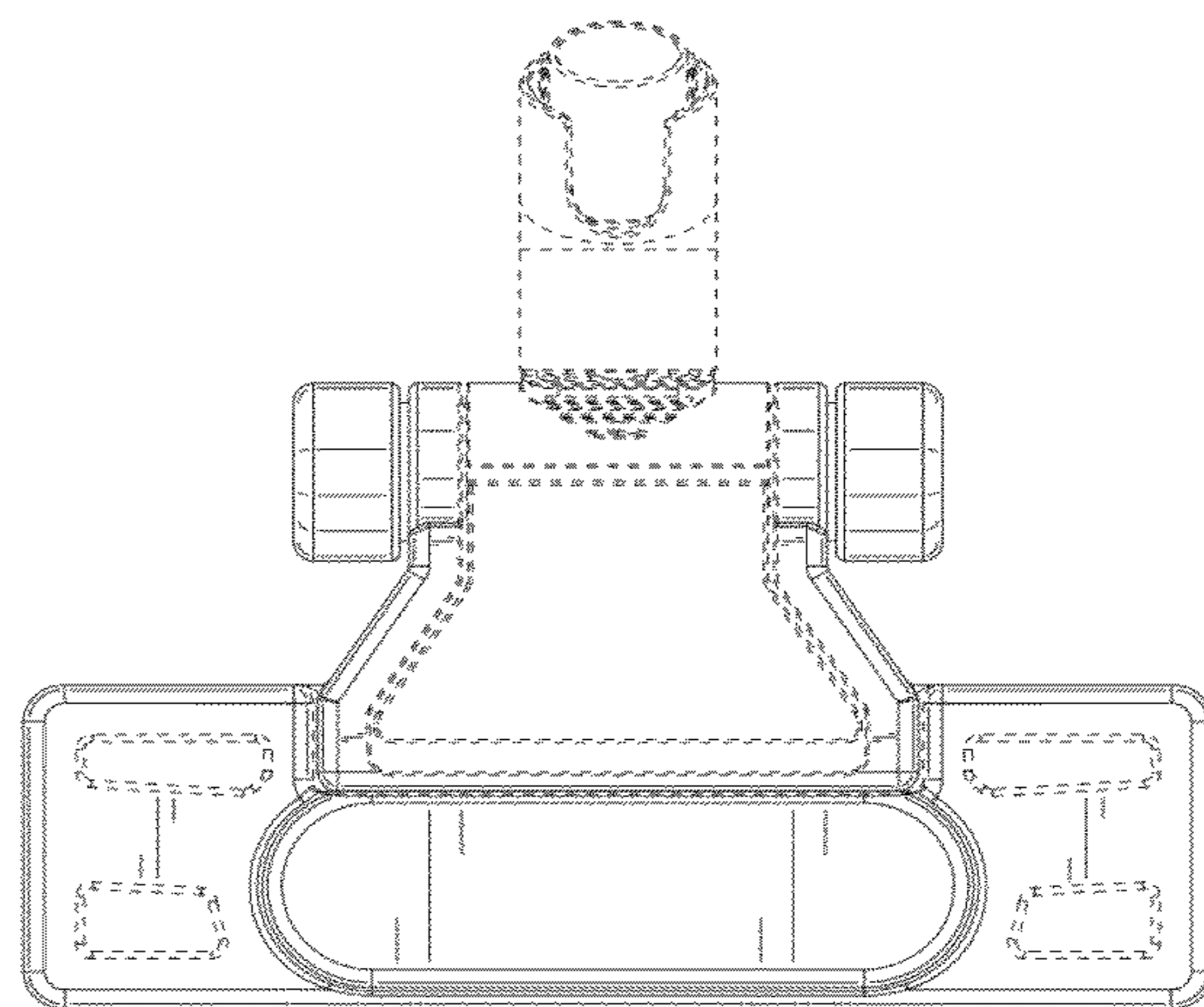
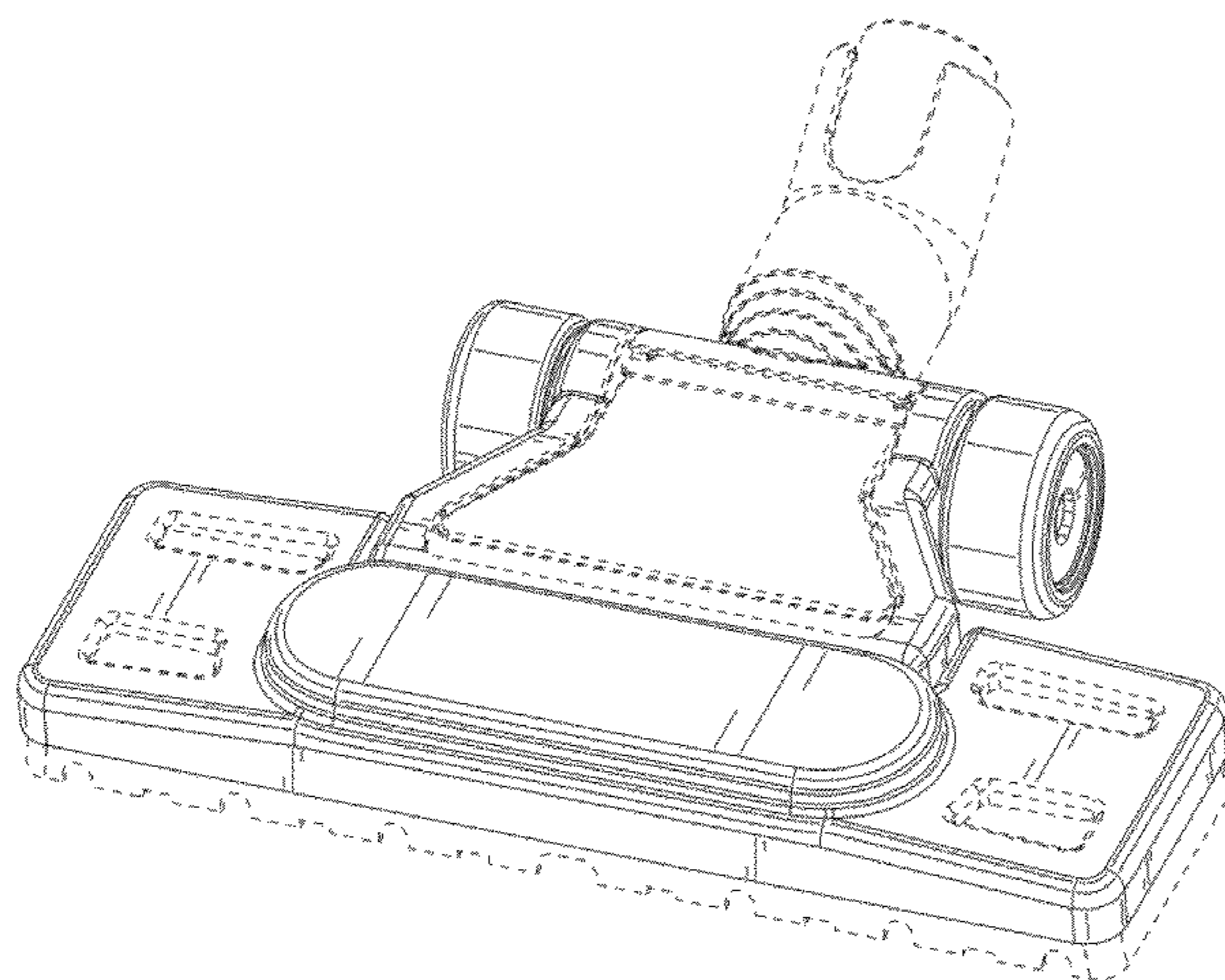
(57) **CLAIM**

We claim the ornamental design for a part of a vacuum cleaner, as shown and described.

DESCRIPTION

FIG. 1 is a perspective view of a part of a vacuum cleaner showing our new design;
FIG. 2 is a plan view thereof from above;
FIG. 3 is a plan view thereof from below;
FIG. 4 is a side view thereof;
FIG. 5 is a side view from the side opposite that of FIG. 4;
FIG. 6 is a front thereof; and,
FIG. 7 is a rear view thereof.

1 Claim, 5 Drawing Sheets



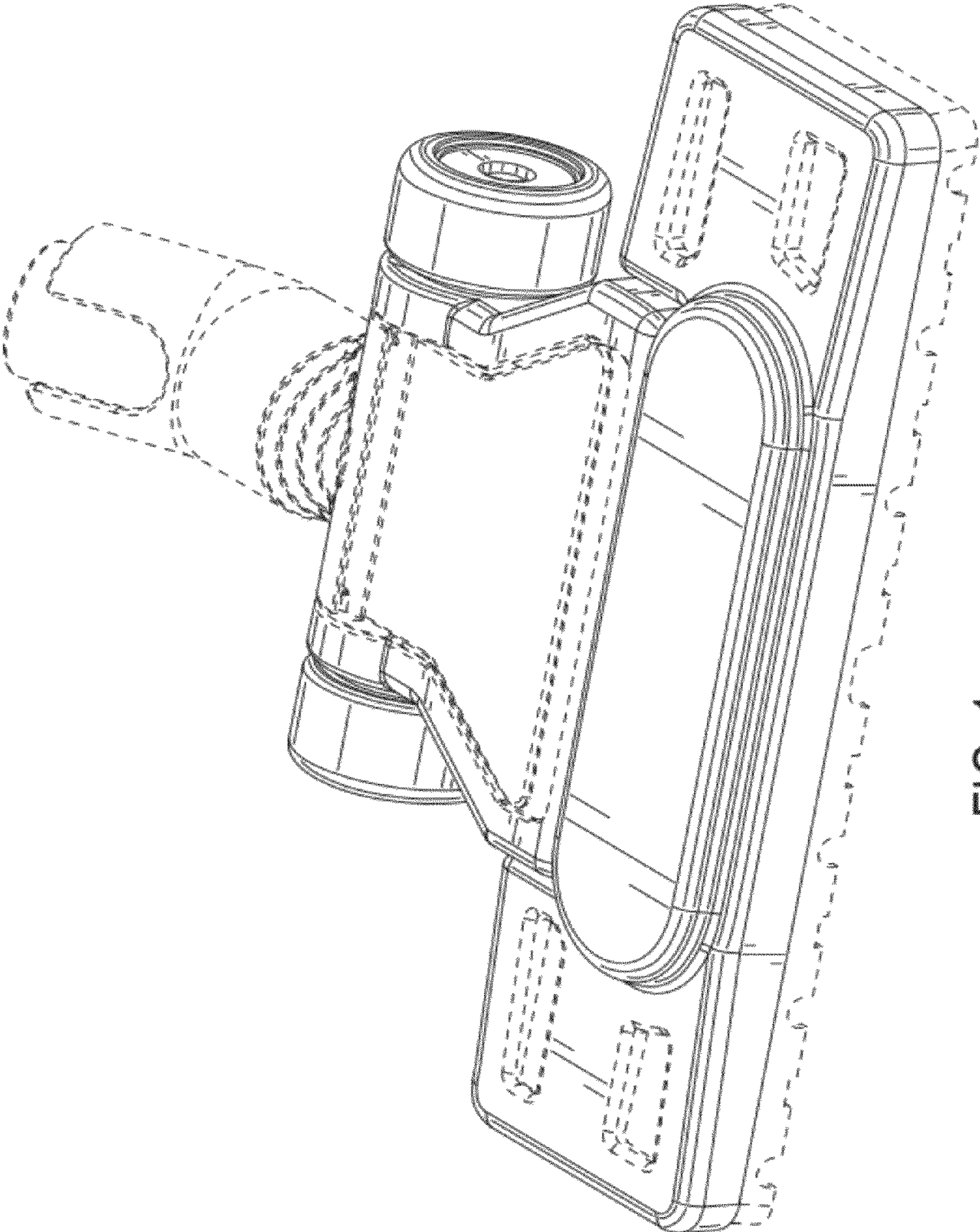


FIG. 1

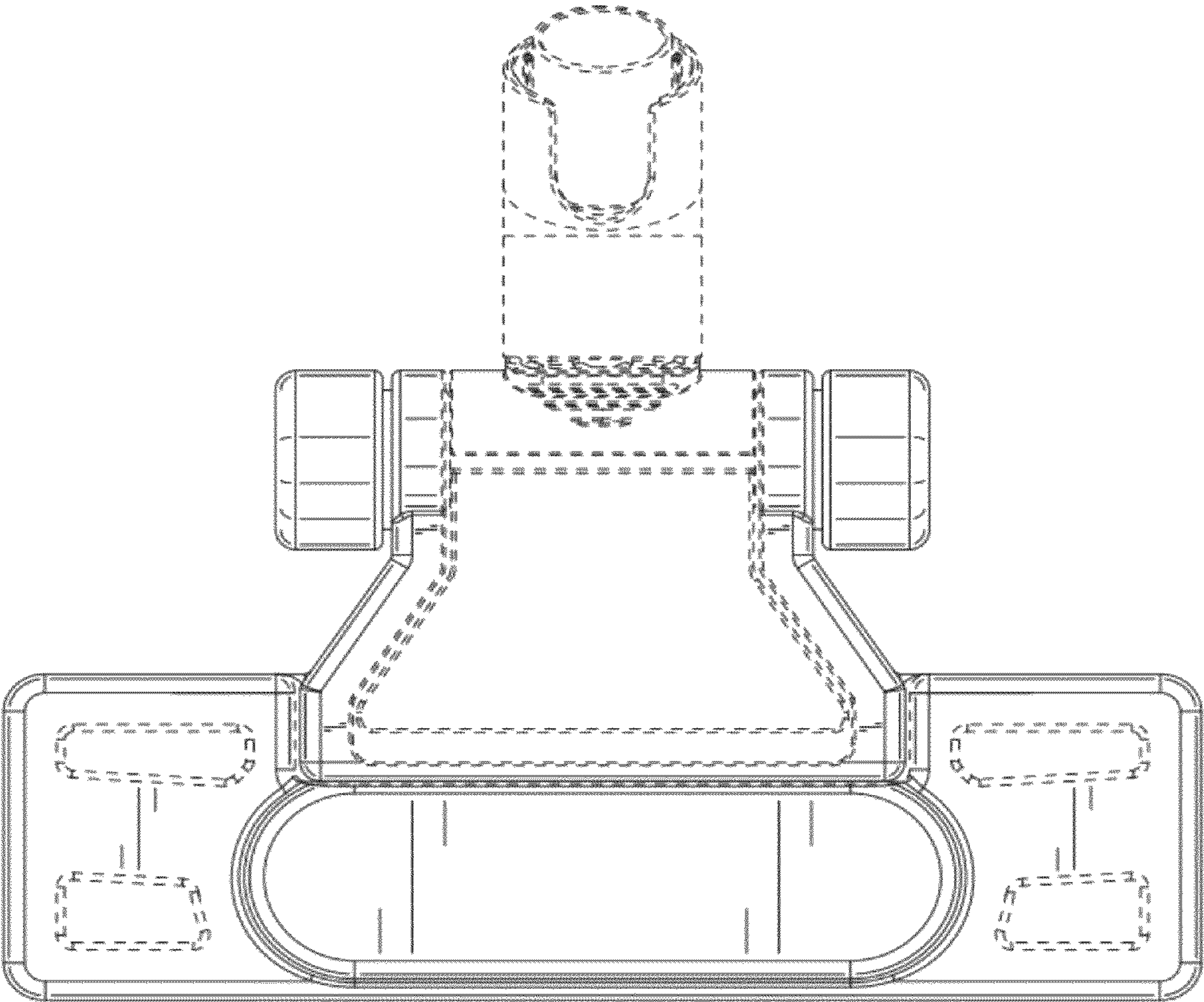


FIG. 2

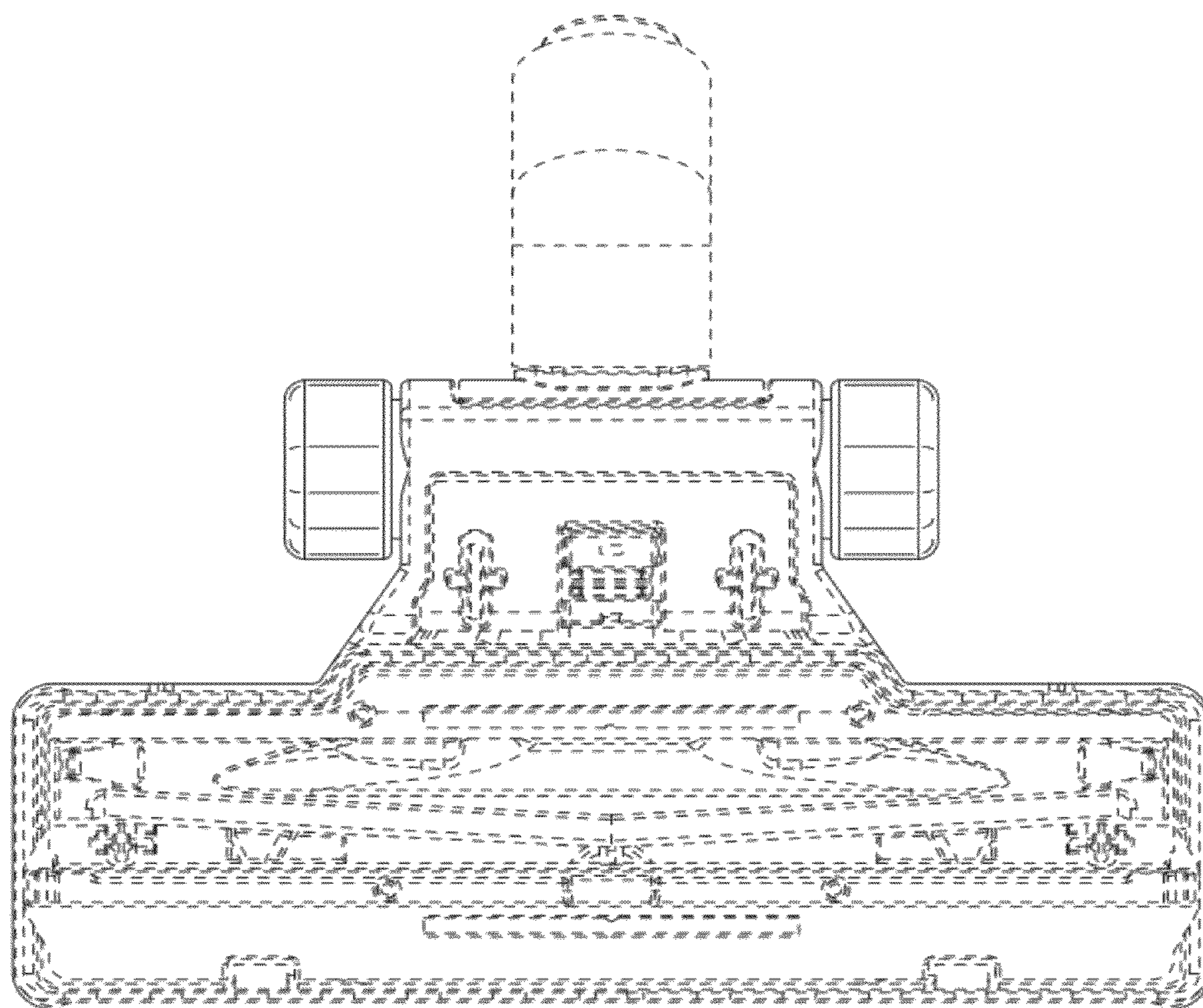


FIG. 3

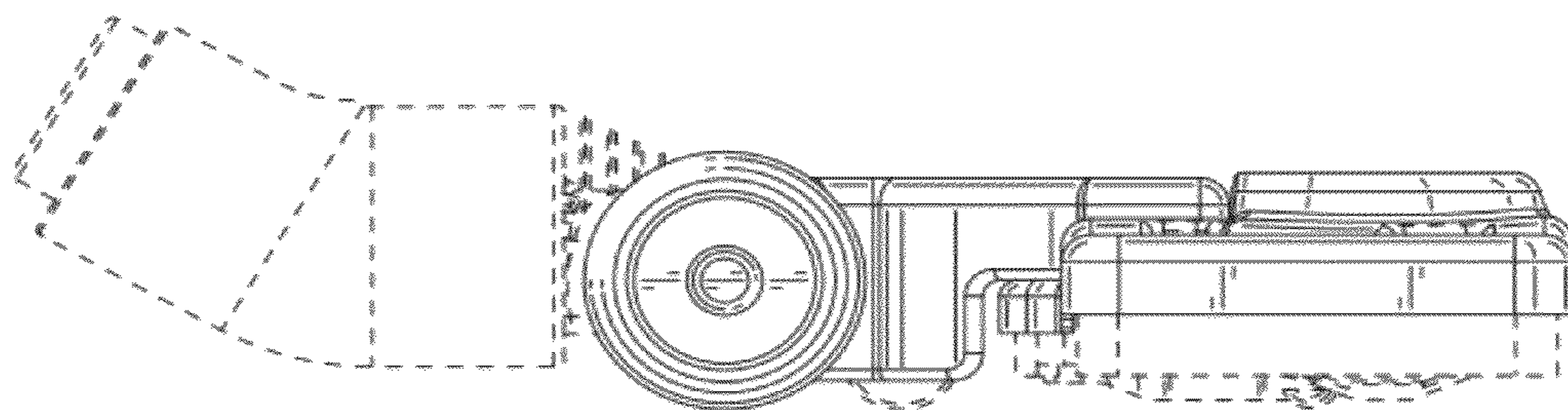


FIG. 4

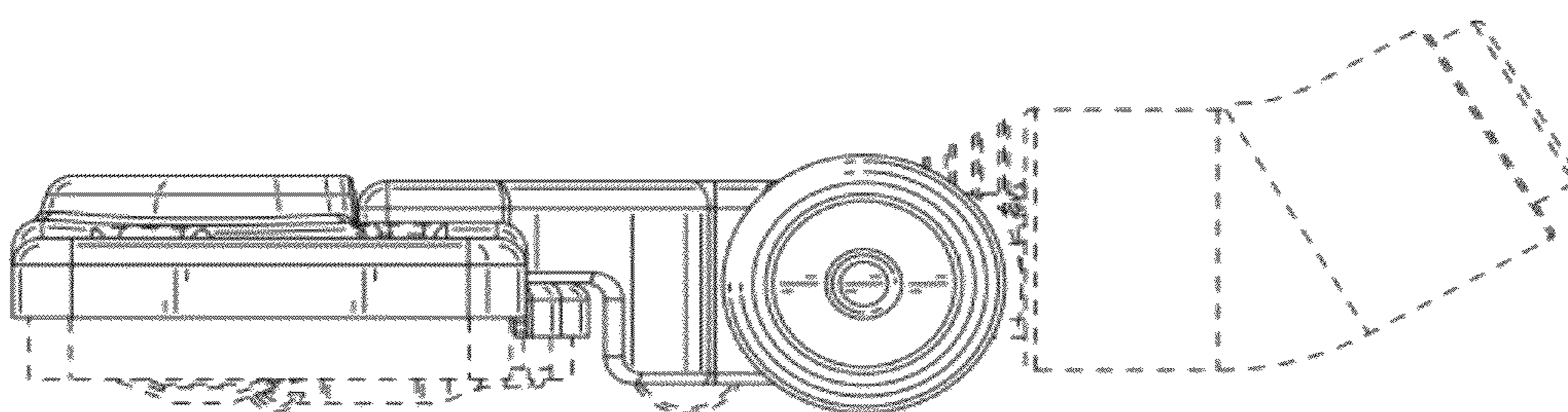


FIG. 5

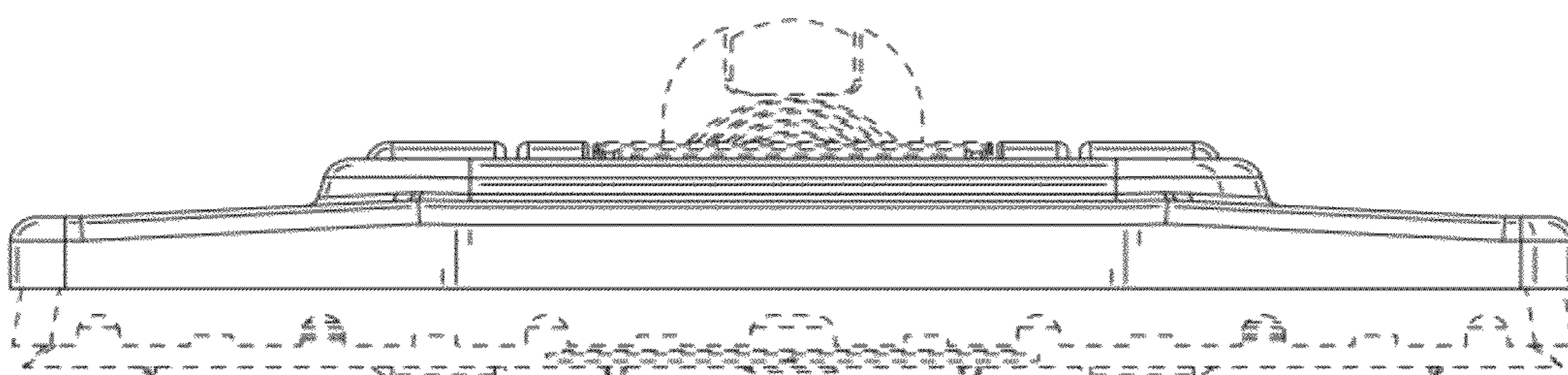


FIG. 6

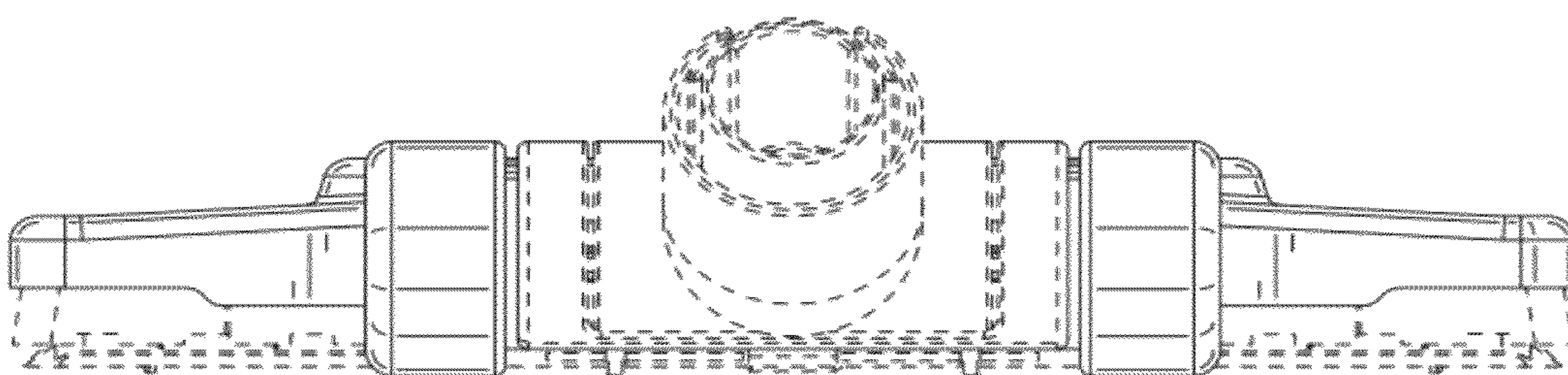


FIG. 7