



US00D672102S

(12) **United States Design Patent**  
**Schouten**

(10) **Patent No.:** **US D672,102 S**  
(45) **Date of Patent:** **\*\* Dec. 4, 2012**

(54) **AUTOMOTIVE VACUUM**

(75) Inventor: **Pieter Schouten**, Berkeley, CA (US)

(73) Assignee: **Carrand Companies, Inc.**, Compton, CA (US)

(\*\*) Term: **14 Years**

(21) Appl. No.: **29/388,402**

(22) Filed: **Mar. 29, 2011**

(51) **LOC (9) Cl.** ..... **15-05**

(52) **U.S. Cl.** ..... **D32/21; D32/18**

(58) **Field of Classification Search** ..... D32/17-18,  
D32/22, 31, 23-24; 15/320-321, 350-354,  
15/415.1-422, 329, 344, 361, 410-411, 347,  
15/1.7, DIG. 1, 327.1-327.3, 327.6, 327.7;  
55/DIG. 3

See application file for complete search history.

(56) **References Cited**

**U.S. PATENT DOCUMENTS**

D346,051 S *	4/1994	Freiwald et al.	.....	D32/21
D398,100 S *	9/1998	Stephens et al.	.....	D32/23
D462,488 S *	9/2002	Santiago et al.	.....	D32/18
D528,253 S *	9/2006	Wu et al.	.....	D32/18
D536,492 S *	2/2007	Rosenzweig	.....	D32/17
D537,216 S *	2/2007	Davis et al.	.....	D32/18

D541,495 S *	4/2007	DiPasquale et al.	.....	D32/18
D549,406 S *	8/2007	Rosenzweig	.....	D32/17
D595,462 S *	6/2009	Crawley	.....	D32/18
D601,767 S *	10/2009	Duncan et al.	.....	D32/17
2006/0207052 A1 *	9/2006	Tran	.....	15/320
2011/0219570 A1 *	9/2011	Conrad	.....	15/344

\* cited by examiner

*Primary Examiner* — Ruth McInroy

(74) *Attorney, Agent, or Firm* — George R. McGuire; Bond Schoeneck & King

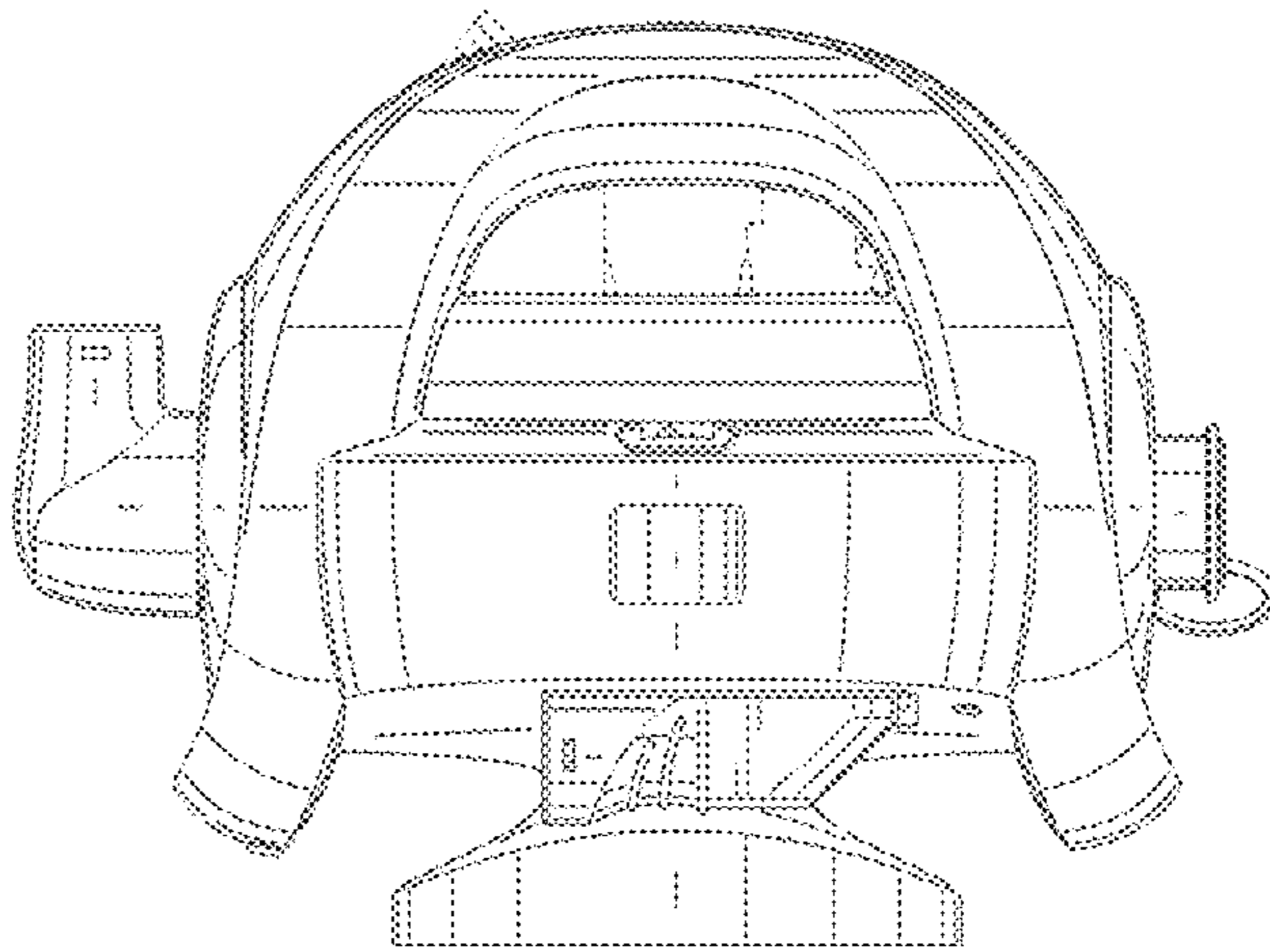
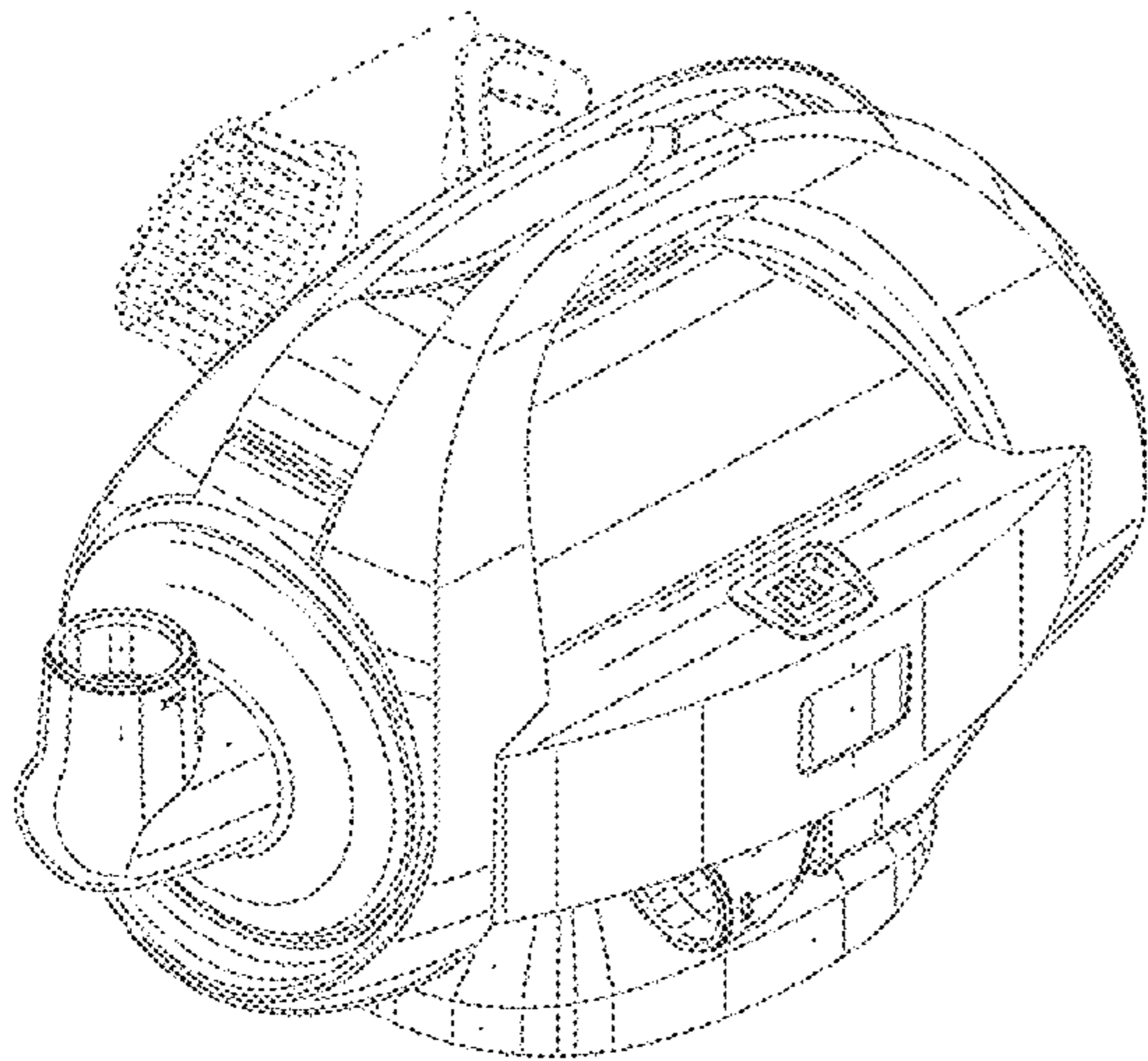
(57) **CLAIM**

The ornamental design for a automotive vacuum, as shown and described.

**DESCRIPTION**

FIG. 1 is a top, front and left-side perspective view of an automotive vacuum showing my new design; FIG. 2 is a left end elevation view thereof; FIG. 3 is a right end elevation view thereof; FIG. 4 is a rear elevation view thereof; FIG. 5 is a front elevation view thereof; FIG. 6 is a top plan view thereof; and, FIG. 7 is a bottom plan view thereof. The details shown in broken lines form no part of the claimed design.

**1 Claim, 7 Drawing Sheets**



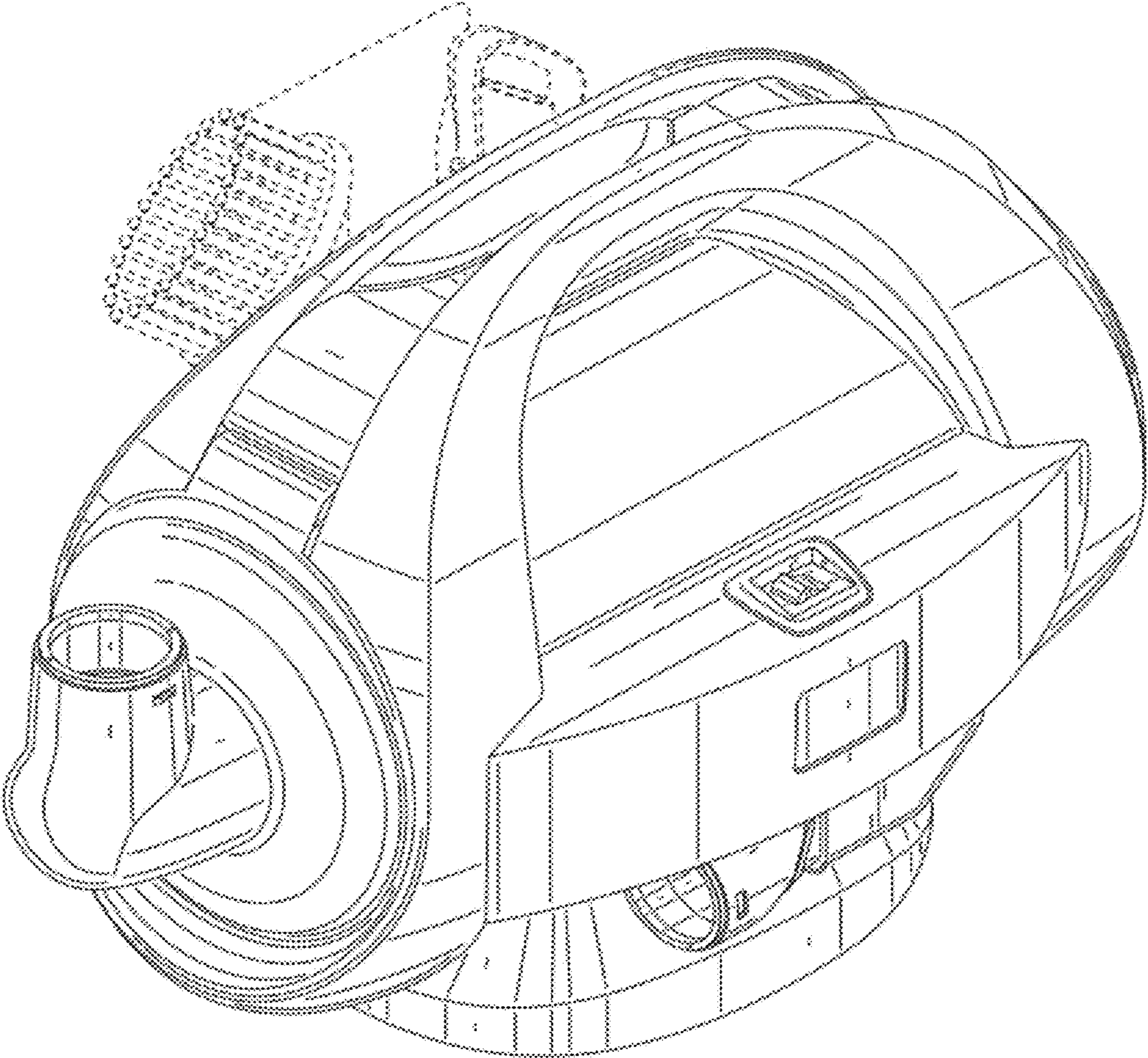


FIG. 1

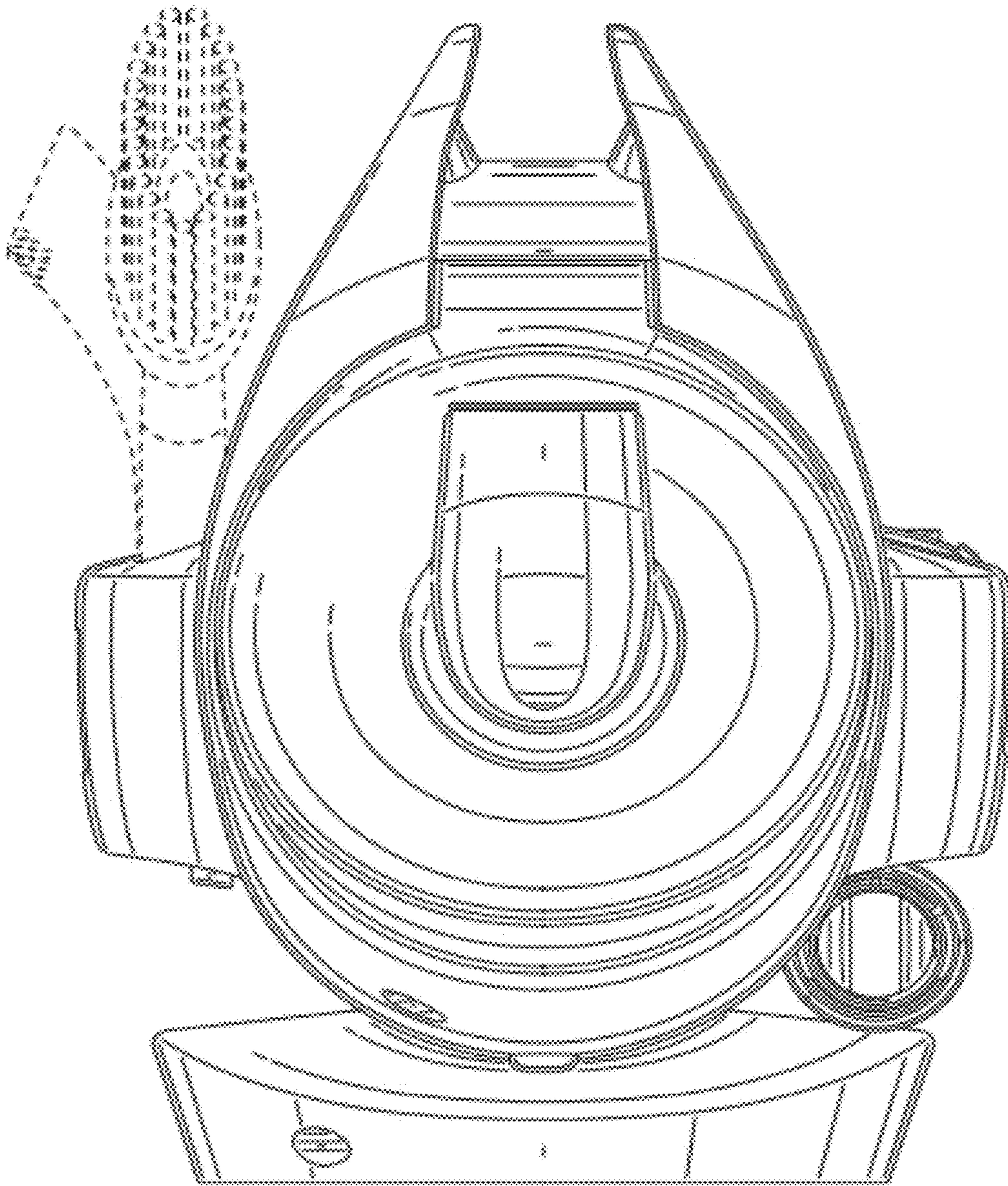


FIG. 2

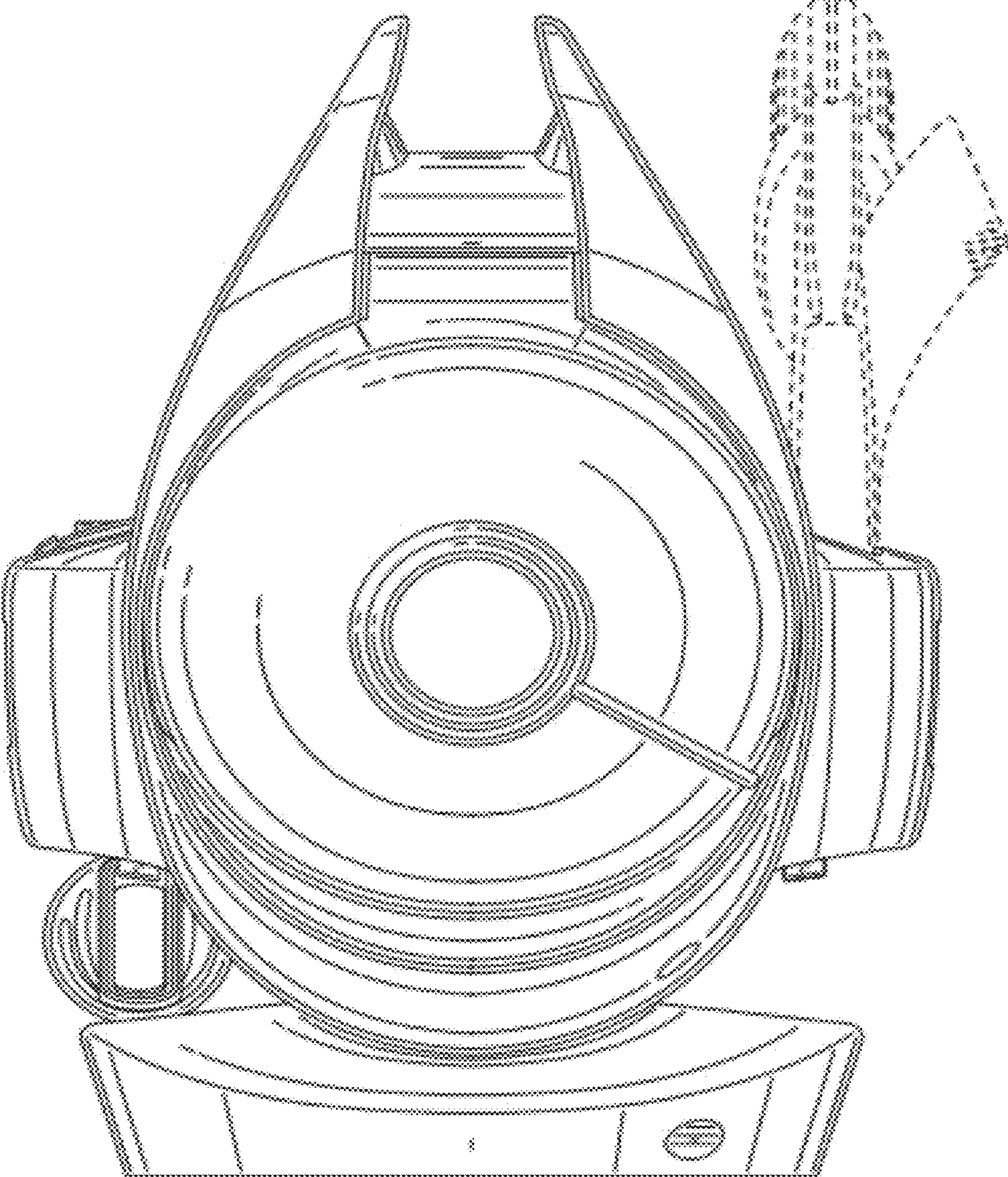


FIG. 3

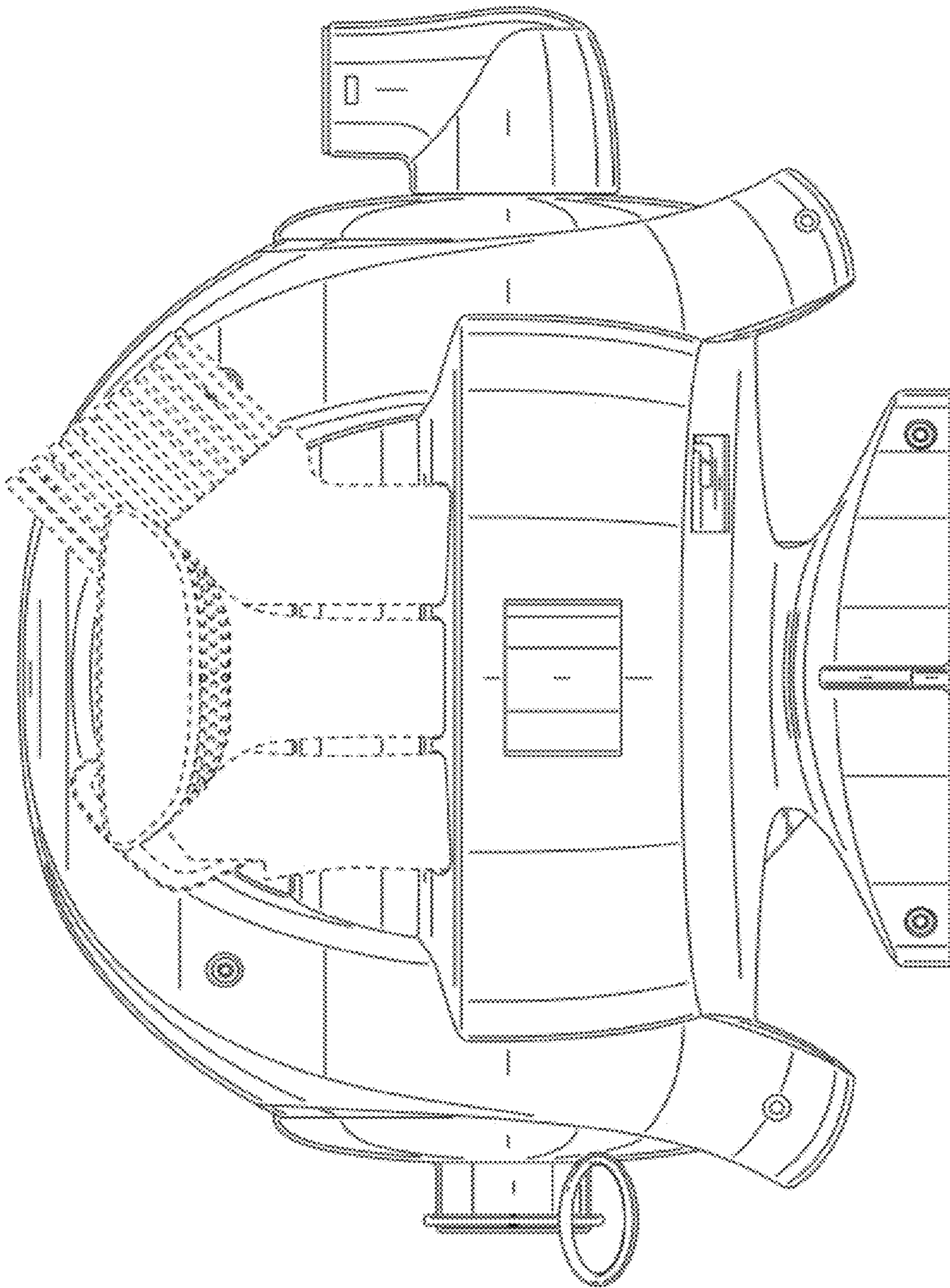


FIG. 4

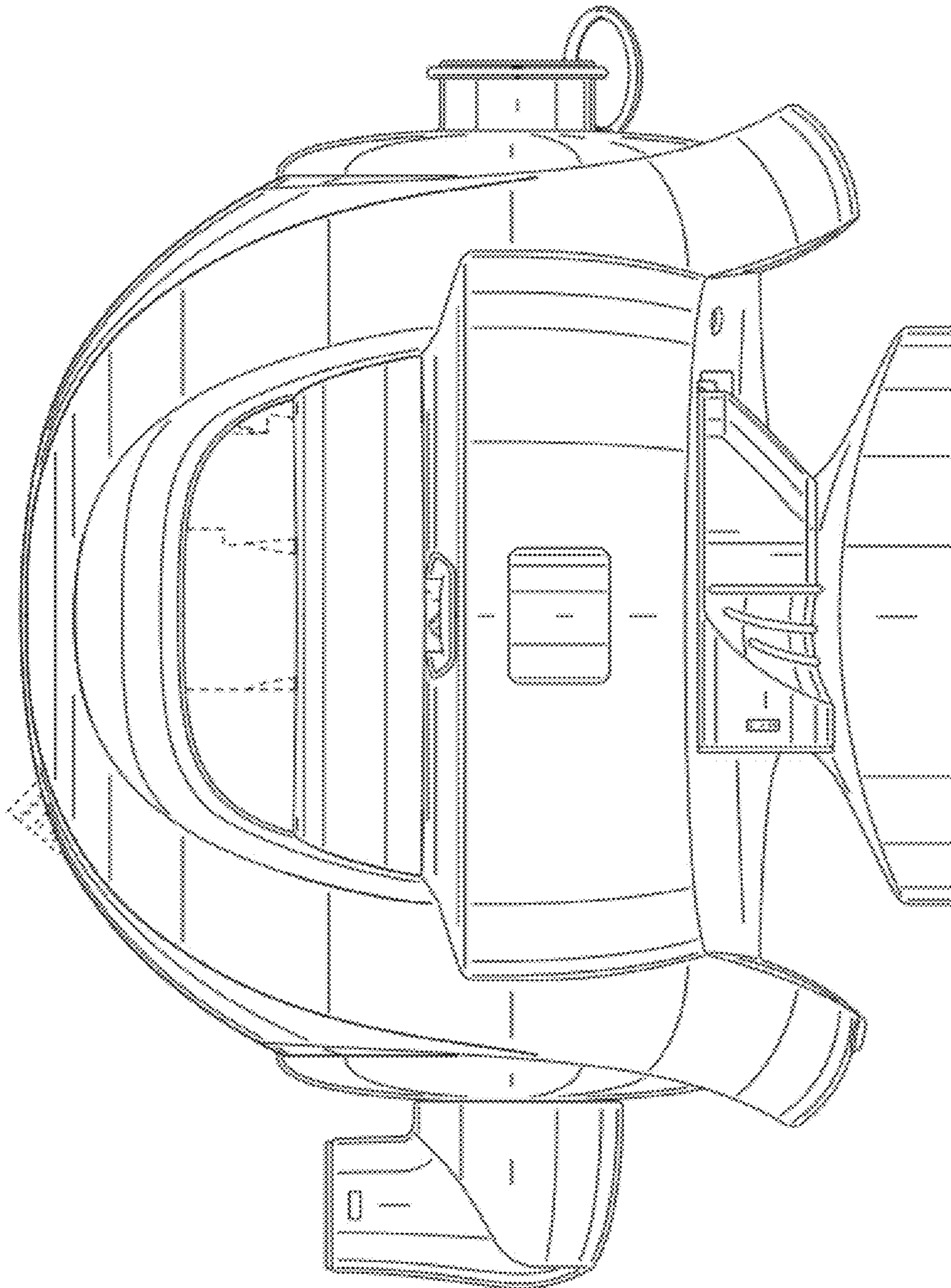


FIG. 5

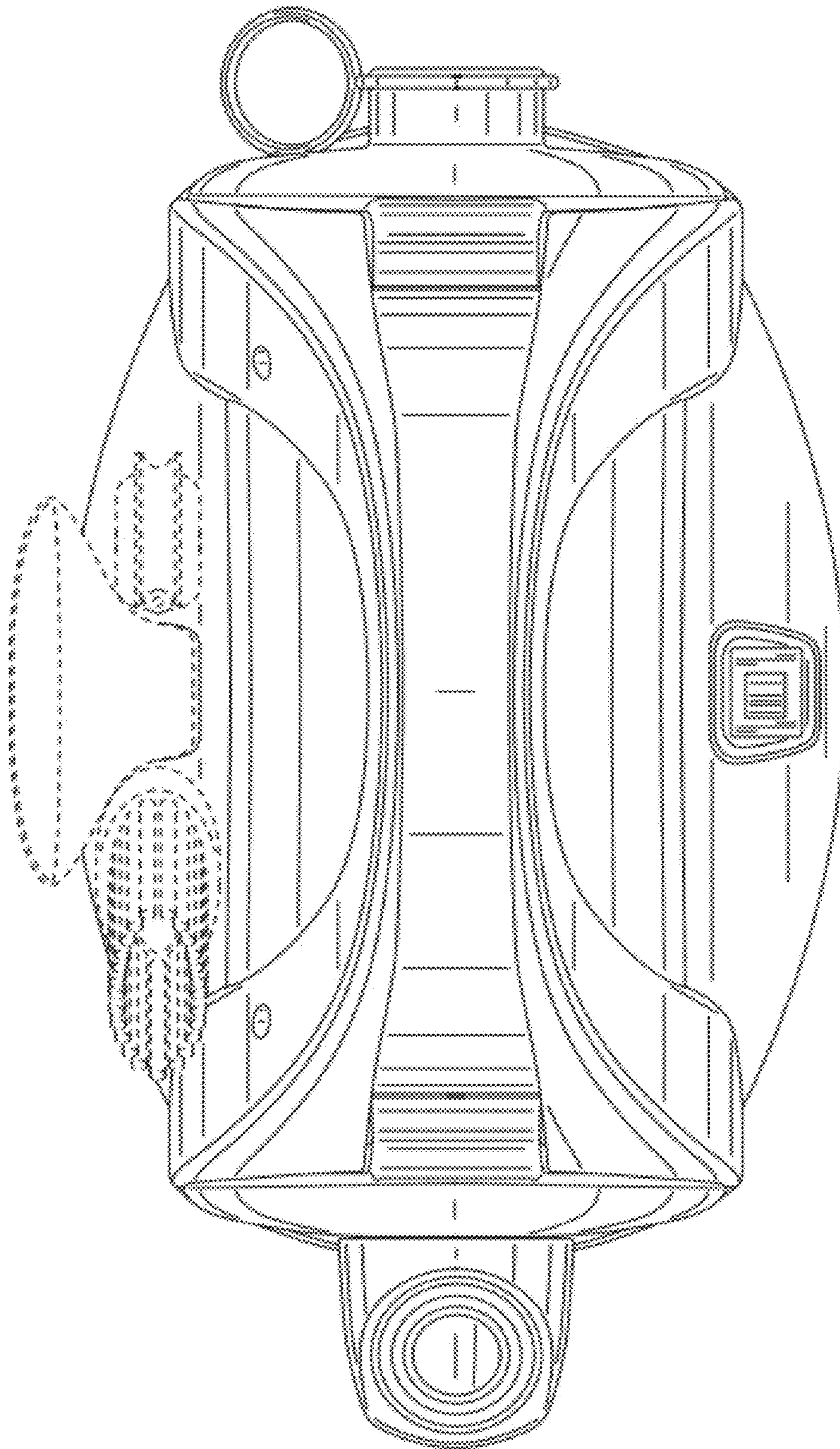


FIG. 6

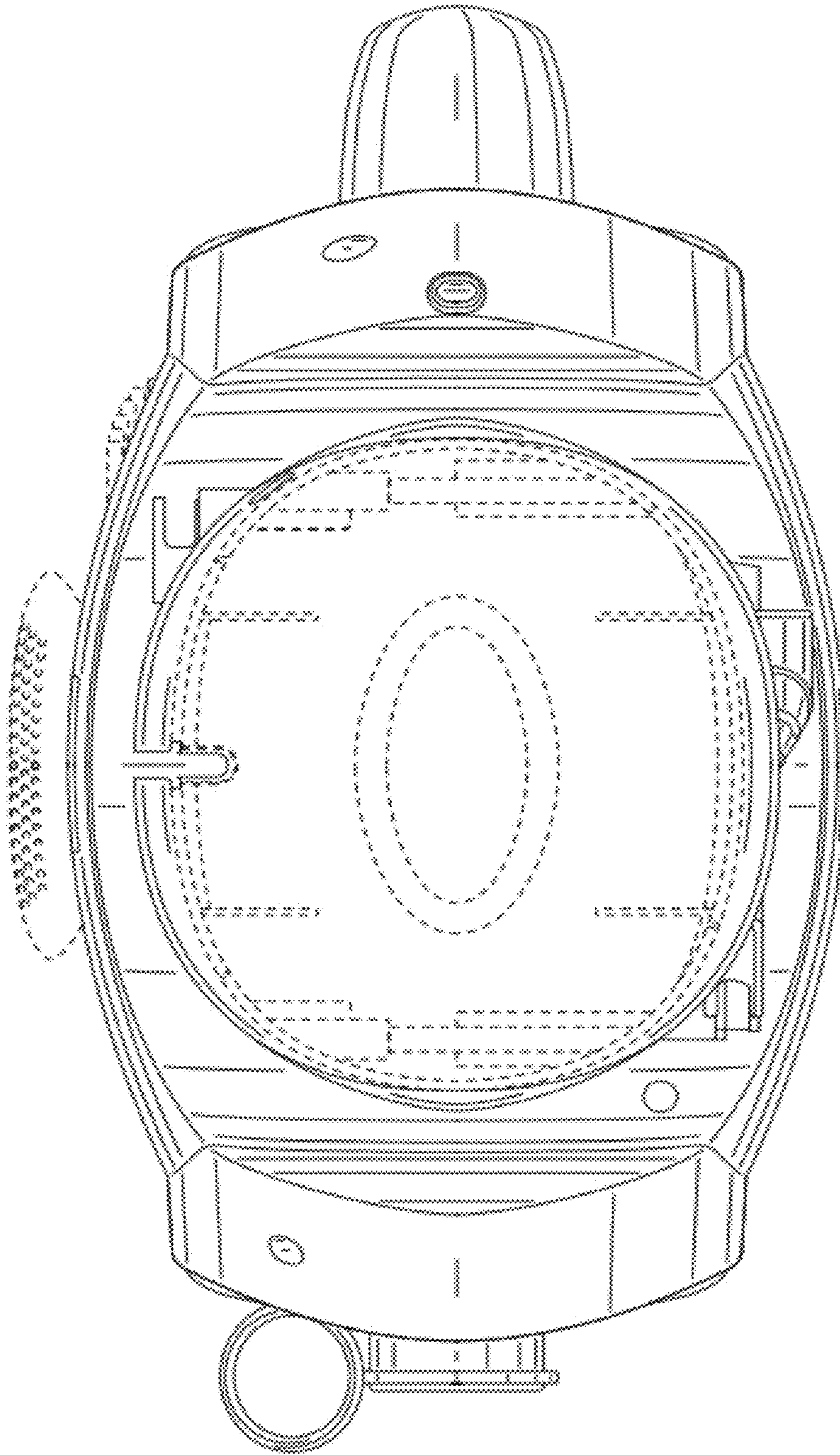


FIG. 7