



US00D672100S

(12) **United States Design Patent**
Willinger

(10) **Patent No.:** **US D672,100 S**
(45) **Date of Patent:** **** Dec. 4, 2012**

(54) **BIRD TOY**

(75) Inventor: **Jonathan Willinger**, Tenafly, NJ (US)

(73) Assignee: **J.W. Pet Company, Inc.**, Teterboro, NJ (US)

(**) Term: **14 Years**

(21) Appl. No.: **29/411,408**

(22) Filed: **Jan. 20, 2012**

Related U.S. Application Data

(62) Division of application No. 29/378,832, filed on Nov. 10, 2010, now Pat. No. Des. 655,461.

(51) **LOC (9) Cl.** **30-99**

(52) **U.S. Cl.** **D30/160; D30/119**

(58) **Field of Classification Search** D30/119, D30/160; D21/406, 786; 119/702, 706-711
See application file for complete search history.

(56) **References Cited**

U.S. PATENT DOCUMENTS

D120,558 S *	5/1940	Sochurek	D21/786
D239,673 S *	4/1976	Ziegler	D7/624.1
5,390,629 A *	2/1995	Simone	119/711
D396,253 S *	7/1998	Beecher	D21/406
D439,378 S *	3/2001	Loomis	D30/160
D494,716 S *	8/2004	Chang	D30/160

D526,688 S *	8/2006	Marshall et al.	D21/473
D545,510 S *	6/2007	Viola	D30/160
D552,307 S *	10/2007	Renforth et al.	D30/160
D553,808 S *	10/2007	Axelrod	D30/160
D635,309 S *	3/2011	Axelrod et al.	D30/160
D643,586 S *	8/2011	Freije	D30/160
D648,906 S *	11/2011	Byrne	D30/160
8,087,387 B2 *	1/2012	Gamble et al.	119/707
2001/0029904 A1 *	10/2001	Viola	119/707

* cited by examiner

Primary Examiner — Cathy A MacCormac

(74) *Attorney, Agent, or Firm* — Katten Muchin Rosenman LLP

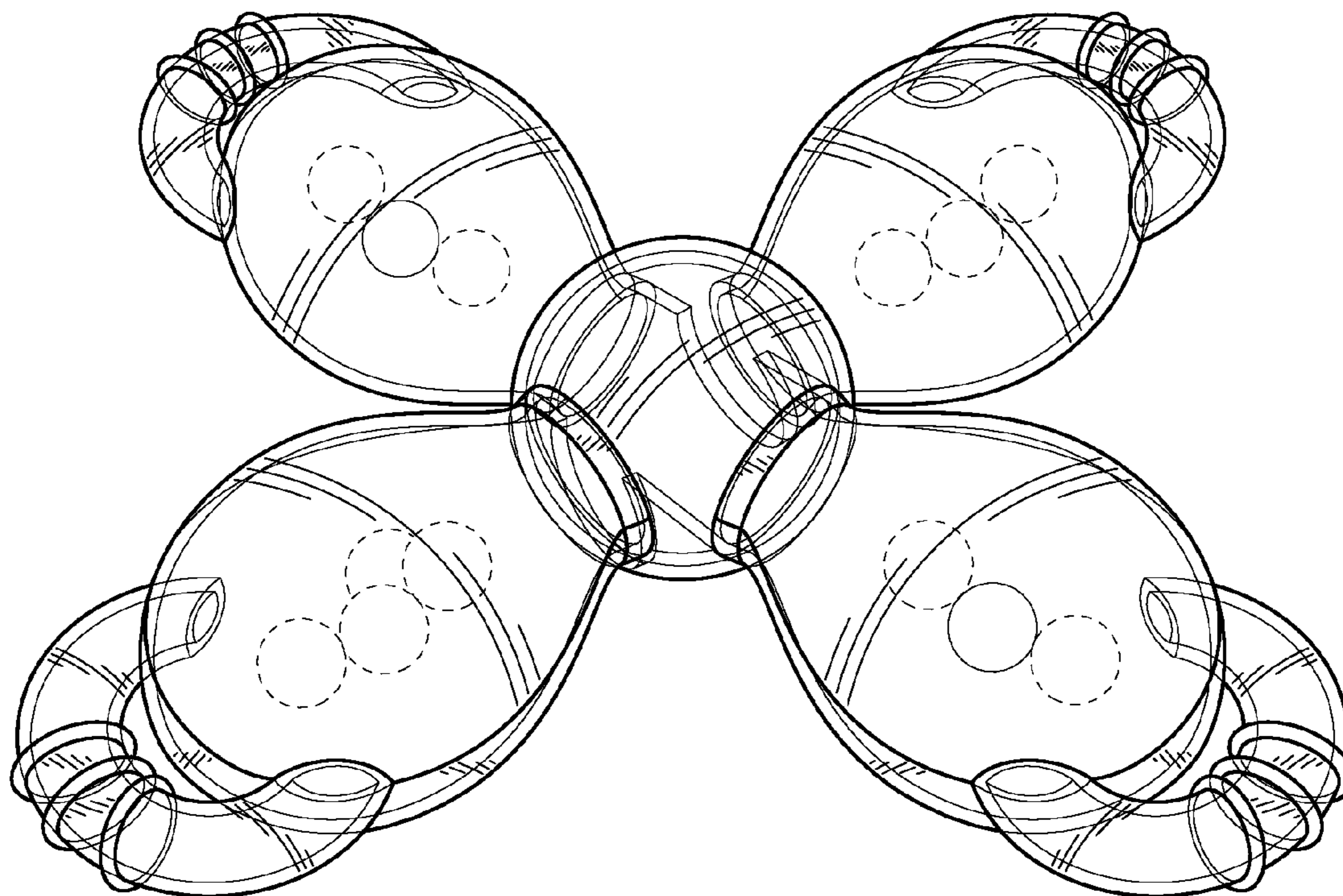
(57) **CLAIM**

The ornamental design for a bird toy, as shown and described.

DESCRIPTION

FIG. 1 is a perspective view of the bird toy;
FIG. 2 is a front view thereof;
FIG. 3 is a rear view thereof;
FIG. 4 is a left-side view thereof;
FIG. 5 is a right-side view thereof;
FIG. 6 is a top view thereof; and,
FIG. 7 is a bottom view thereof.
The portions of the design that are shown in broken lines do not form part of the claimed design.

1 Claim, 6 Drawing Sheets



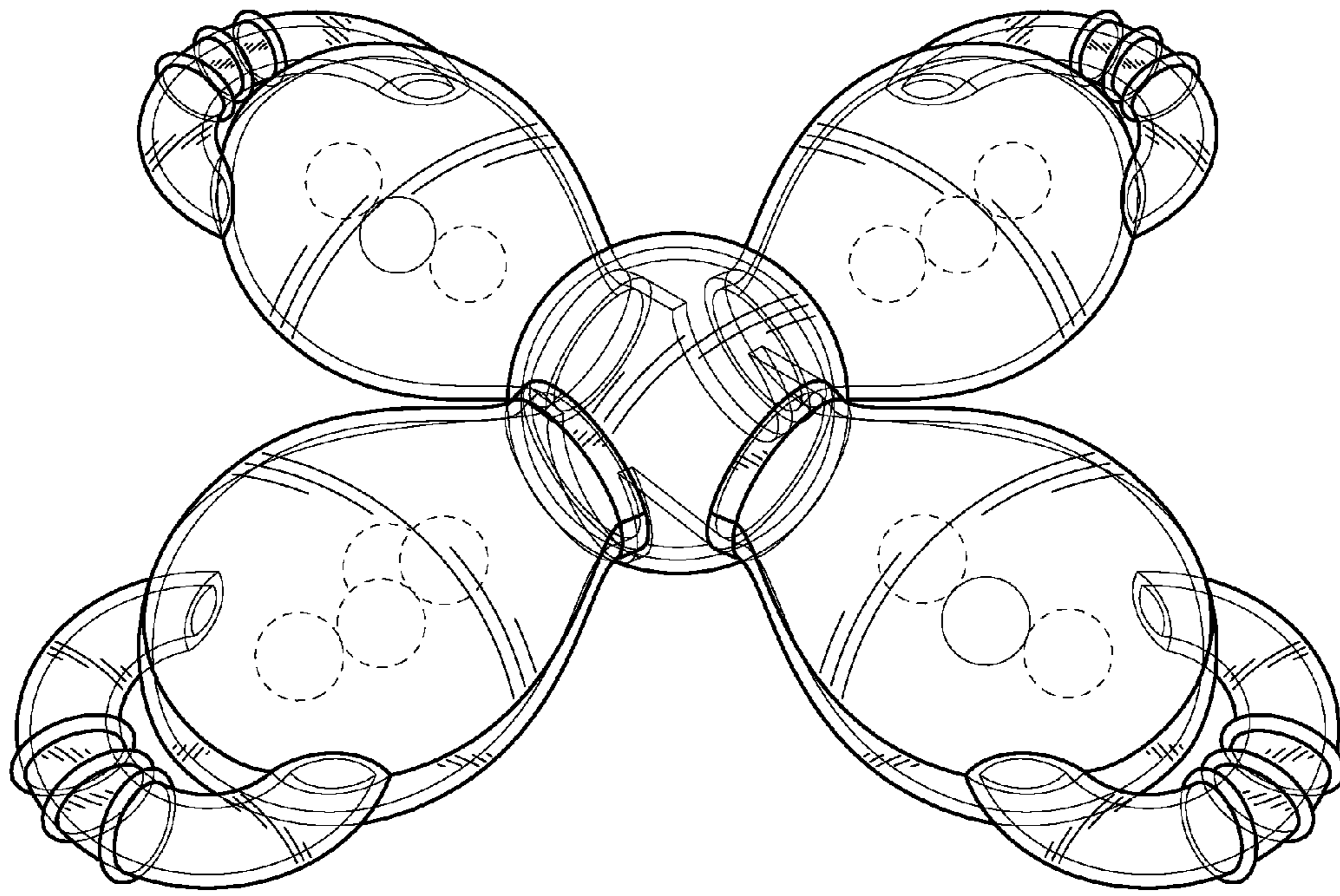


FIG. 1

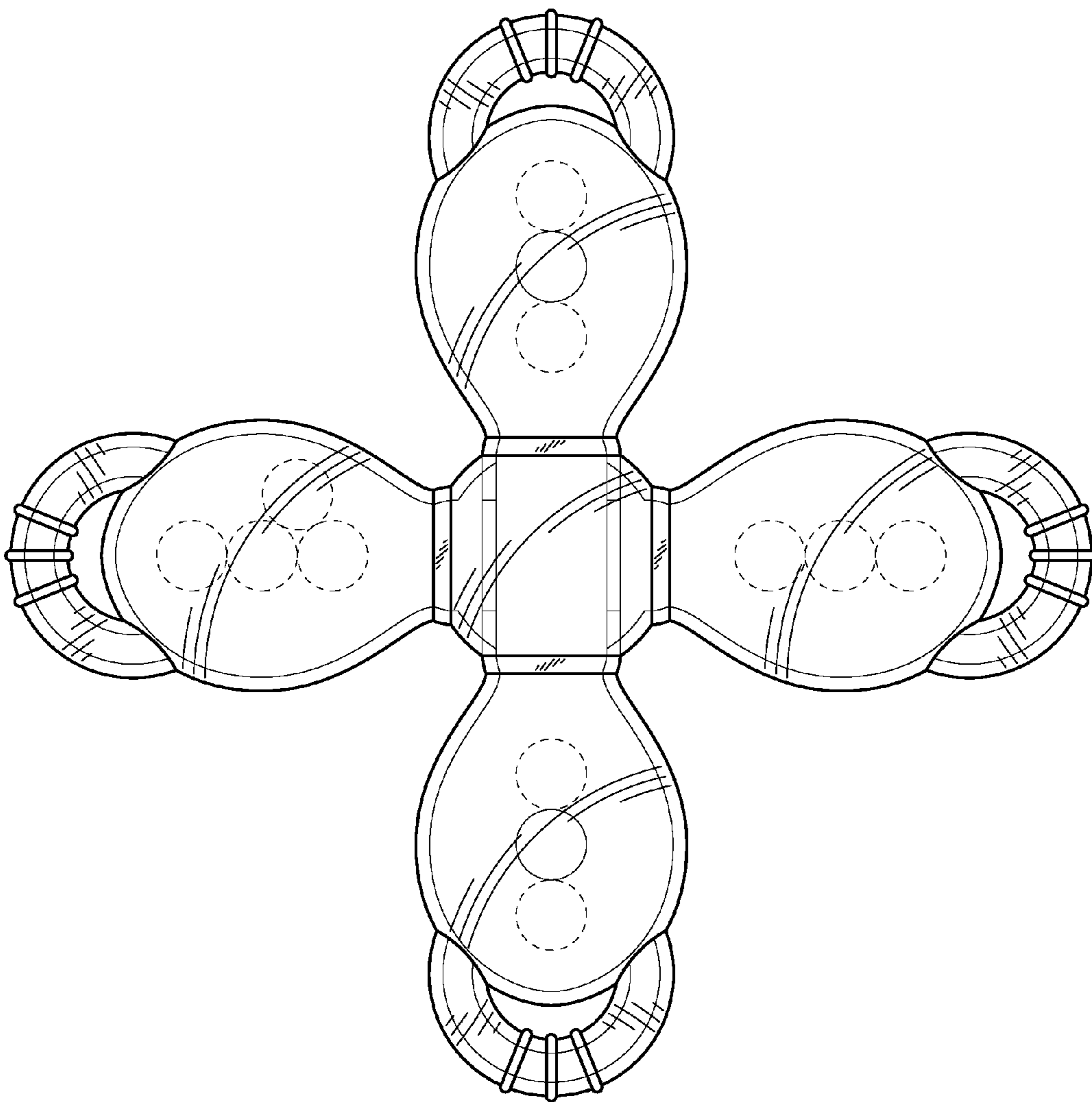


FIG. 2

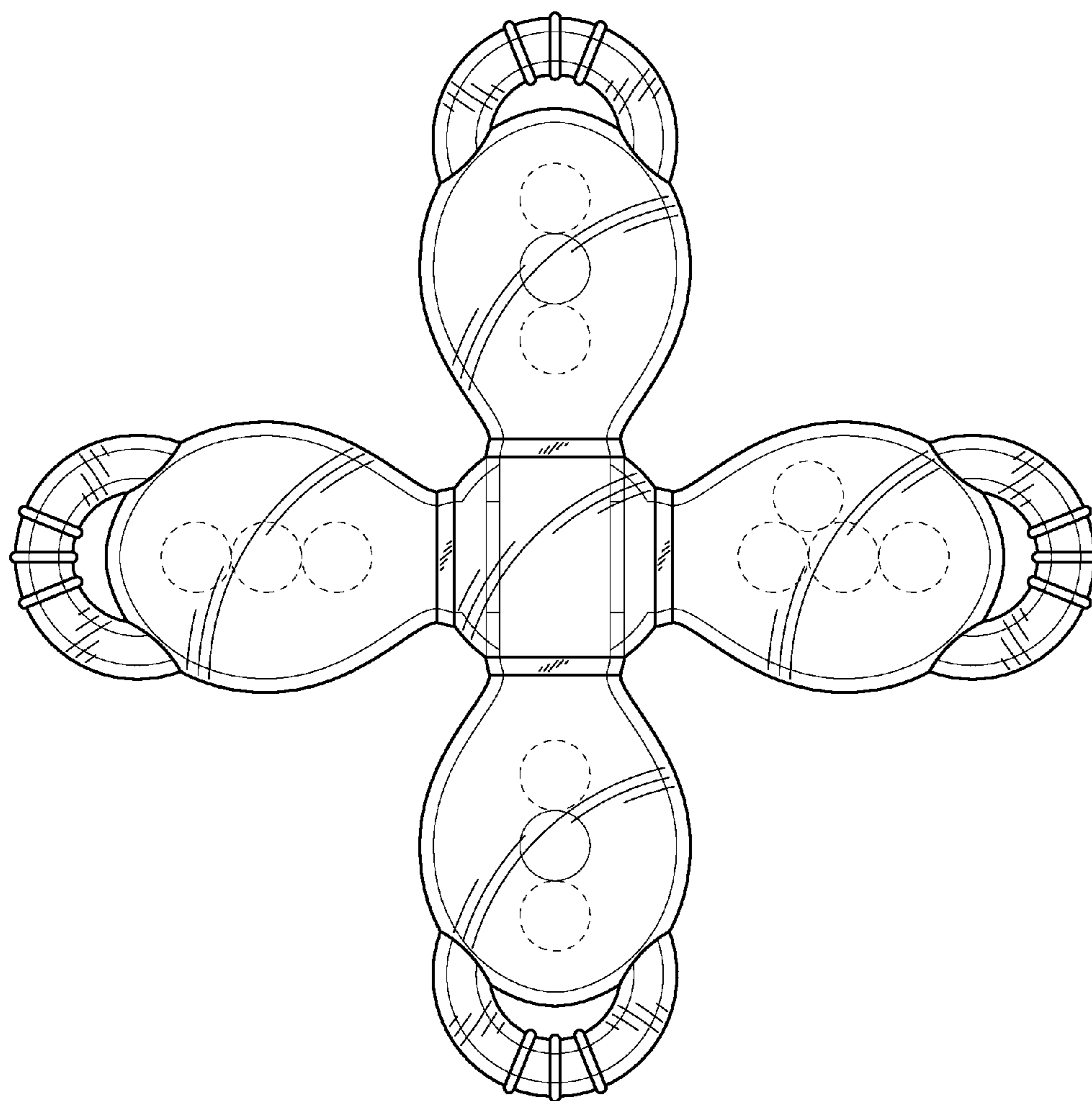


FIG. 3

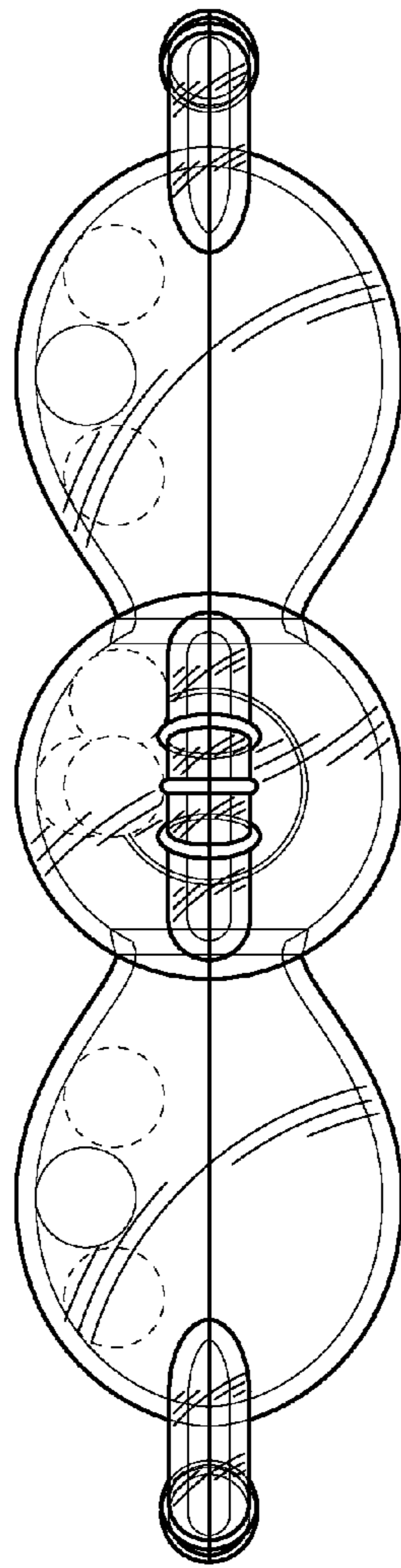


FIG. 4

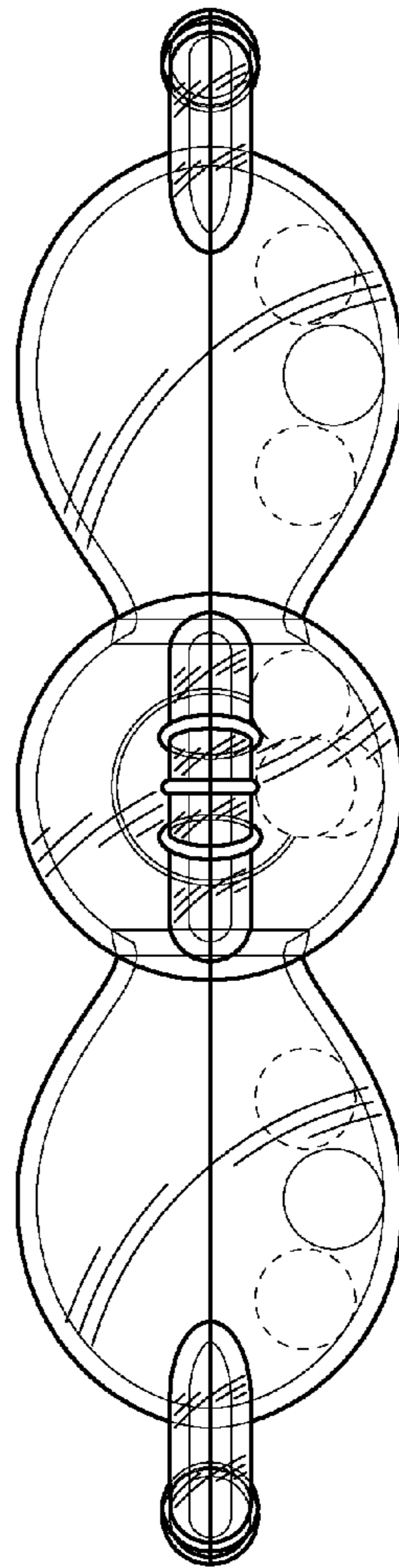


FIG. 5

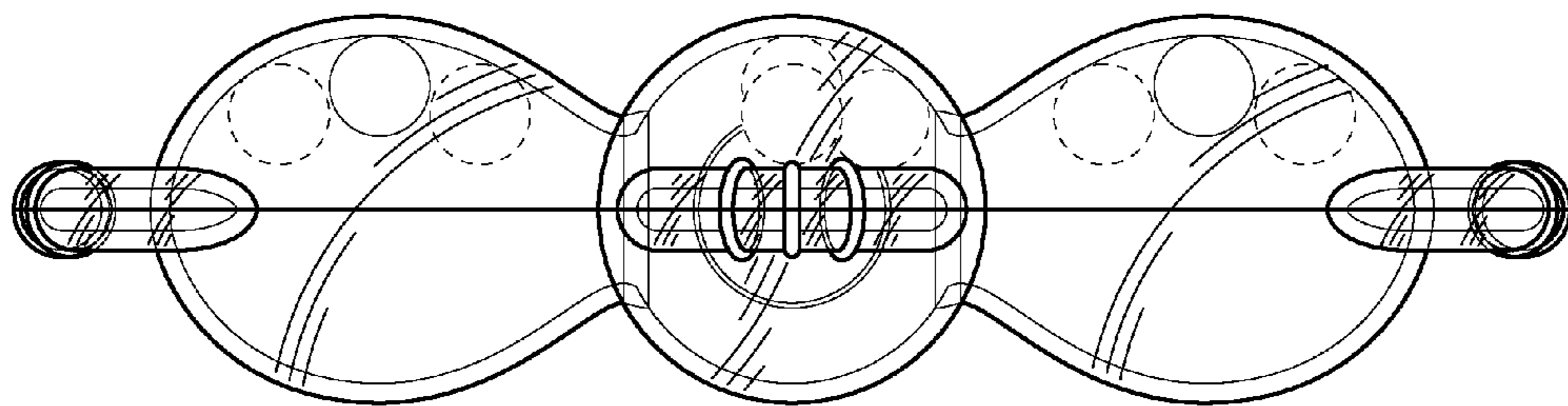


FIG. 6

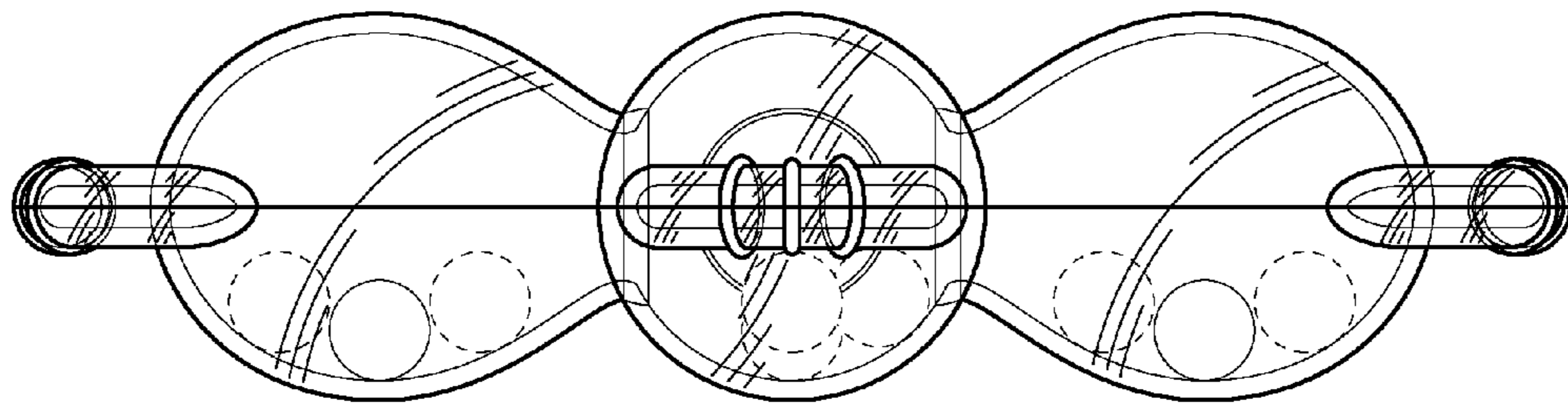


FIG. 7