



US00D672097S

(12) **United States Design Patent**
Gendron

(10) **Patent No.:** **US D672,097 S**
(45) **Date of Patent:** **** Dec. 4, 2012**

(54) **COVER**

(75) Inventor: **Marie-Pierre Gendron, Mercier (CA)**

(73) Assignee: **Revision Military S.a.r.L., Luxembourg (LU)**

(**) Term: **14 Years**

(21) Appl. No.: **29/414,162**

(22) Filed: **Feb. 24, 2012**

Related U.S. Application Data

(63) Continuation of application No. 29/369,271, filed on Sep. 3, 2010.

(51) **LOC (9) Cl.** **29-02**

(52) **U.S. Cl.** **D29/122**

(58) **Field of Classification Search** D29/100, D29/102-110, 122; D2/891, 893, 894; D24/110.1, D24/110.2, 191; 2/410, 411, 412, 424, 425, 2/10, 15, 452, 454.9, 206; 128/857, 858
See application file for complete search history.

(56) **References Cited**

U.S. PATENT DOCUMENTS

D276,380 S *	11/1984	Hellberg	D29/122
D333,366 S *	2/1993	Brown	D29/109
D360,708 S *	7/1995	Palmaer	D29/122
D372,343 S *	7/1996	Palmaer	D29/122

D394,341 S *	5/1998	Halmo	D2/893
D427,381 S *	6/2000	Ho	D29/109
6,170,084 B1 *	1/2001	Gordon et al.	2/12
6,289,521 B1 *	9/2001	Ikeda	2/421
D454,988 S *	3/2002	Simpson	D29/122
D455,523 S *	4/2002	Yungblut	D29/122
D455,524 S *	4/2002	Simpson	D29/122
D632,439 S *	2/2011	Lebel et al.	D29/122
D632,440 S *	2/2011	Lebel et al.	D29/122
D638,172 S *	5/2011	Lebel et al.	D29/122

* cited by examiner

Primary Examiner — Elizabeth J Oswecki

(74) *Attorney, Agent, or Firm* — Wolf, Greenfield & Sacks, P.C.

(57) **CLAIM**

The ornamental design for a cover, as shown and described.

DESCRIPTION

FIG. 1 is a perspective view of a cover of the invention mounted on a helmet accessory mount;
FIG. 2 is a front view of the cover of FIG. 1;
FIG. 3 is a top view of the cover of FIG. 1;
FIG. 4 is a bottom view of the cover of FIG. 1;
FIG. 5 is a rear view of the cover of FIG. 1;
FIG. 6 is a left side view of the cover of FIG. 1; and,
FIG. 7 is a right side view of the cover of FIG. 1.
Portions of the cover and the helmet accessory mount shown in broken lines in FIG. 1 and the portion of the cover shown in broken lines in FIGS. 1-7 form no part of the claimed design.

1 Claim, 7 Drawing Sheets

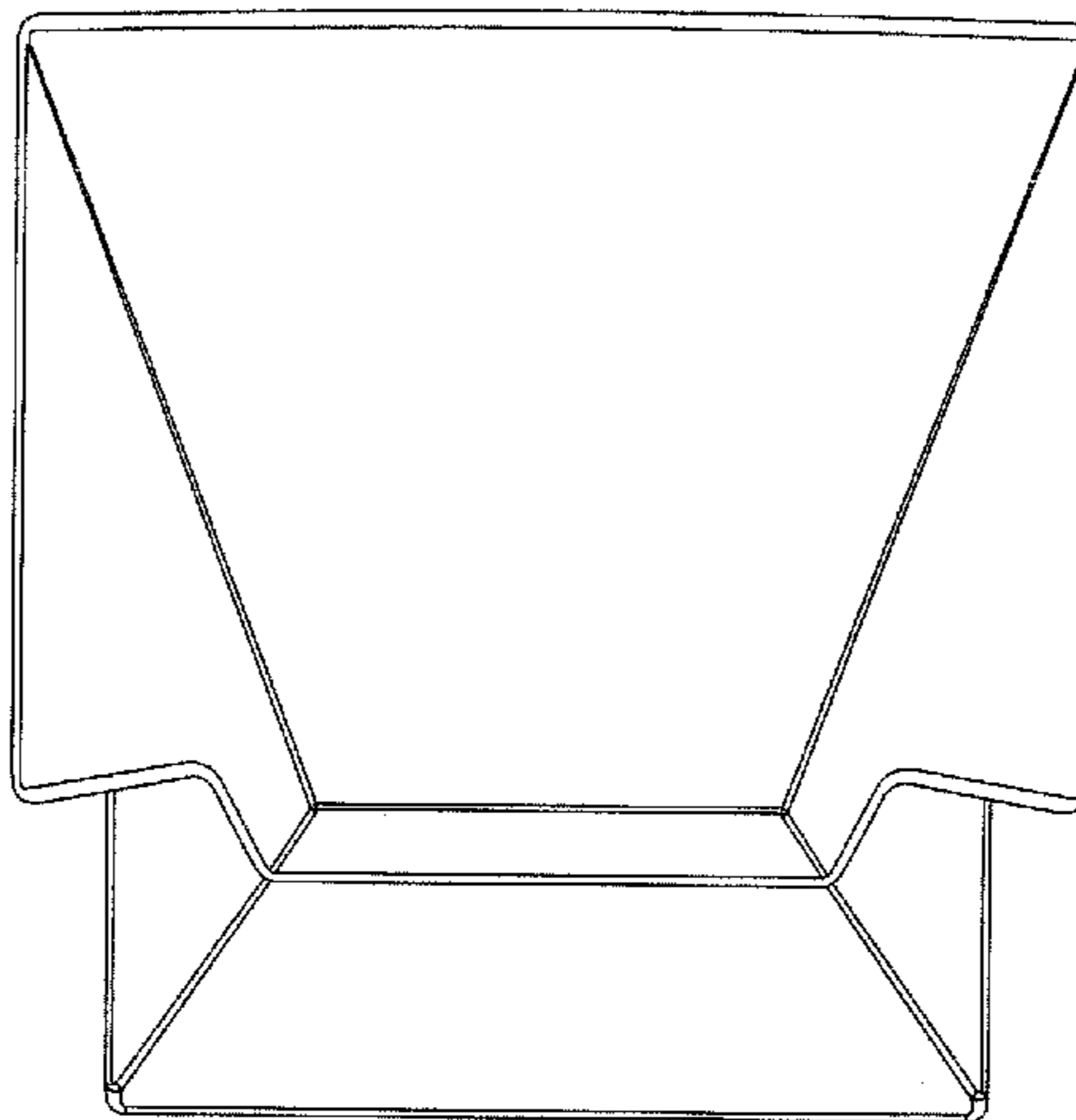
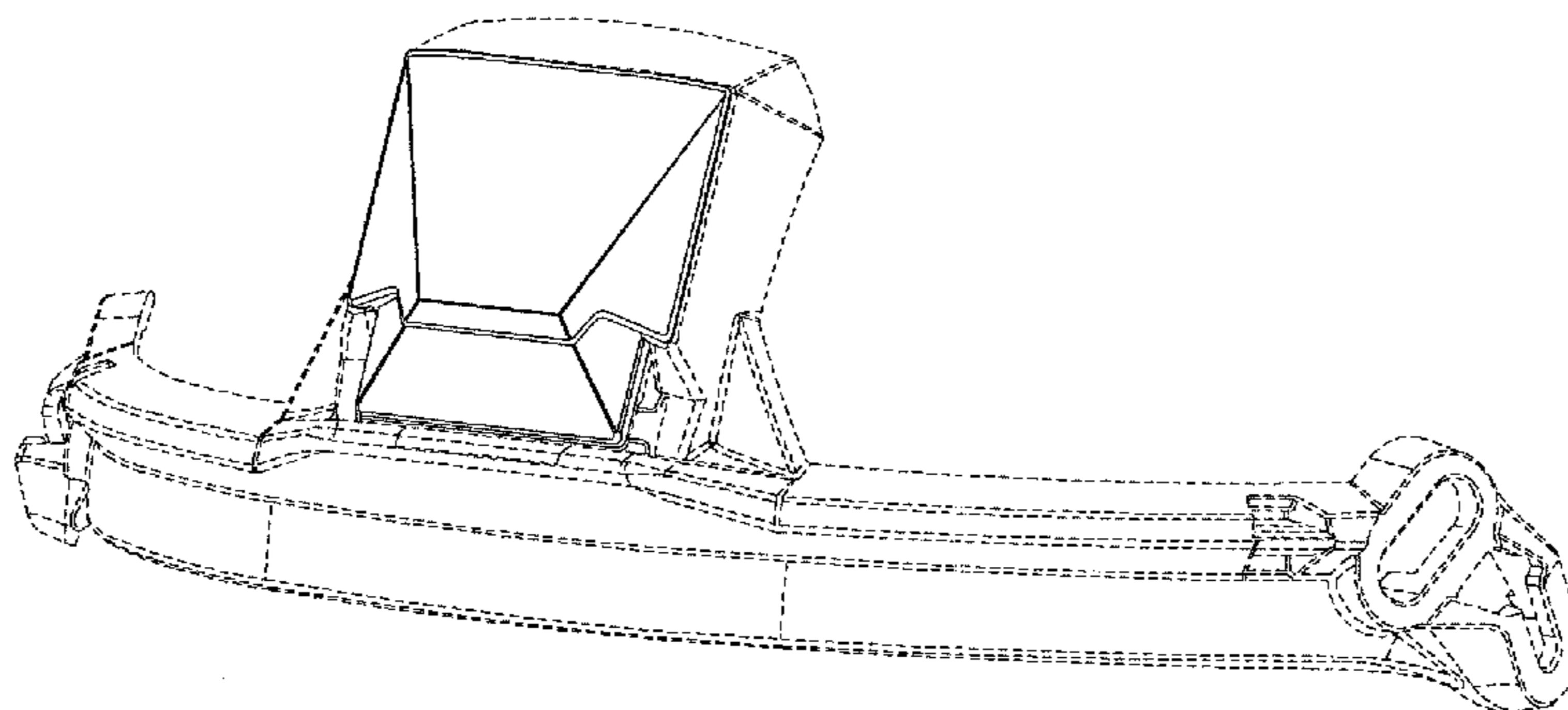


FIG. 1

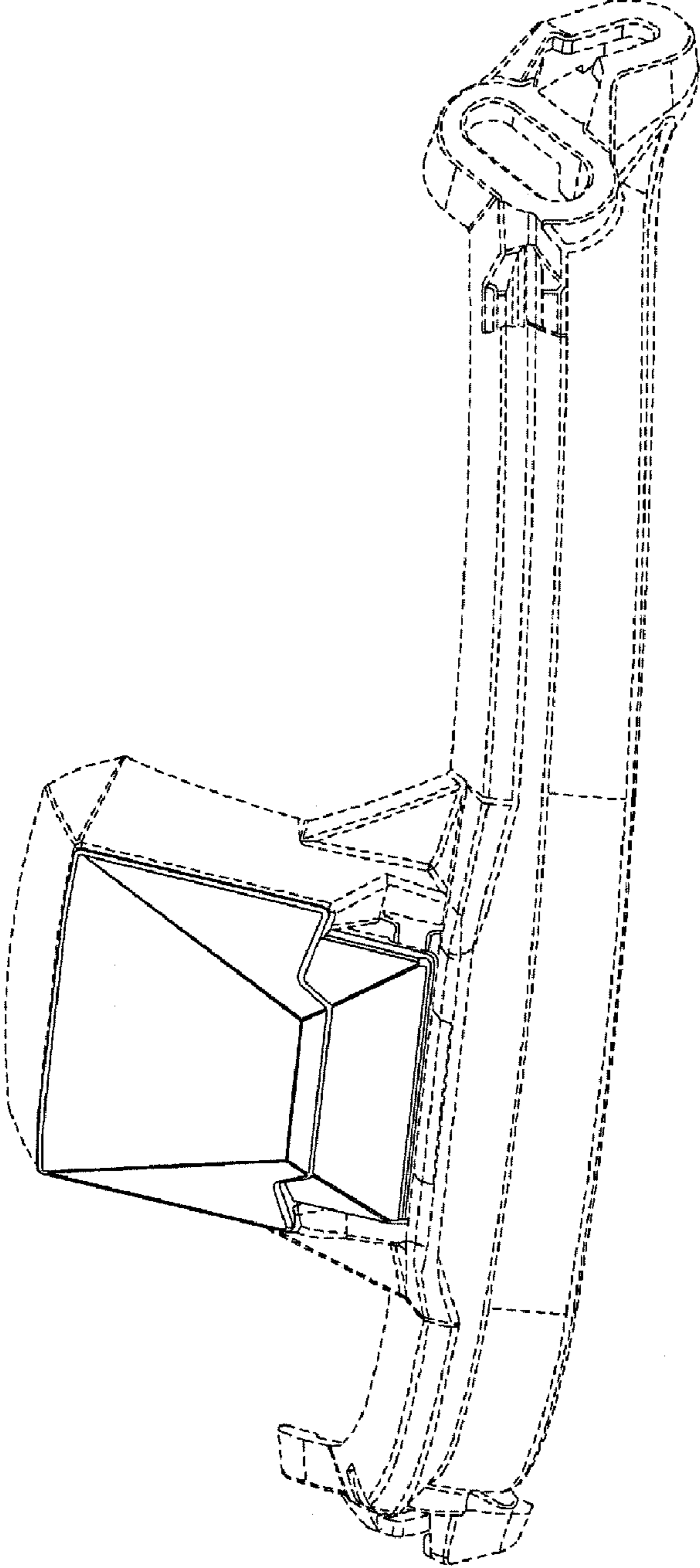


FIG. 2

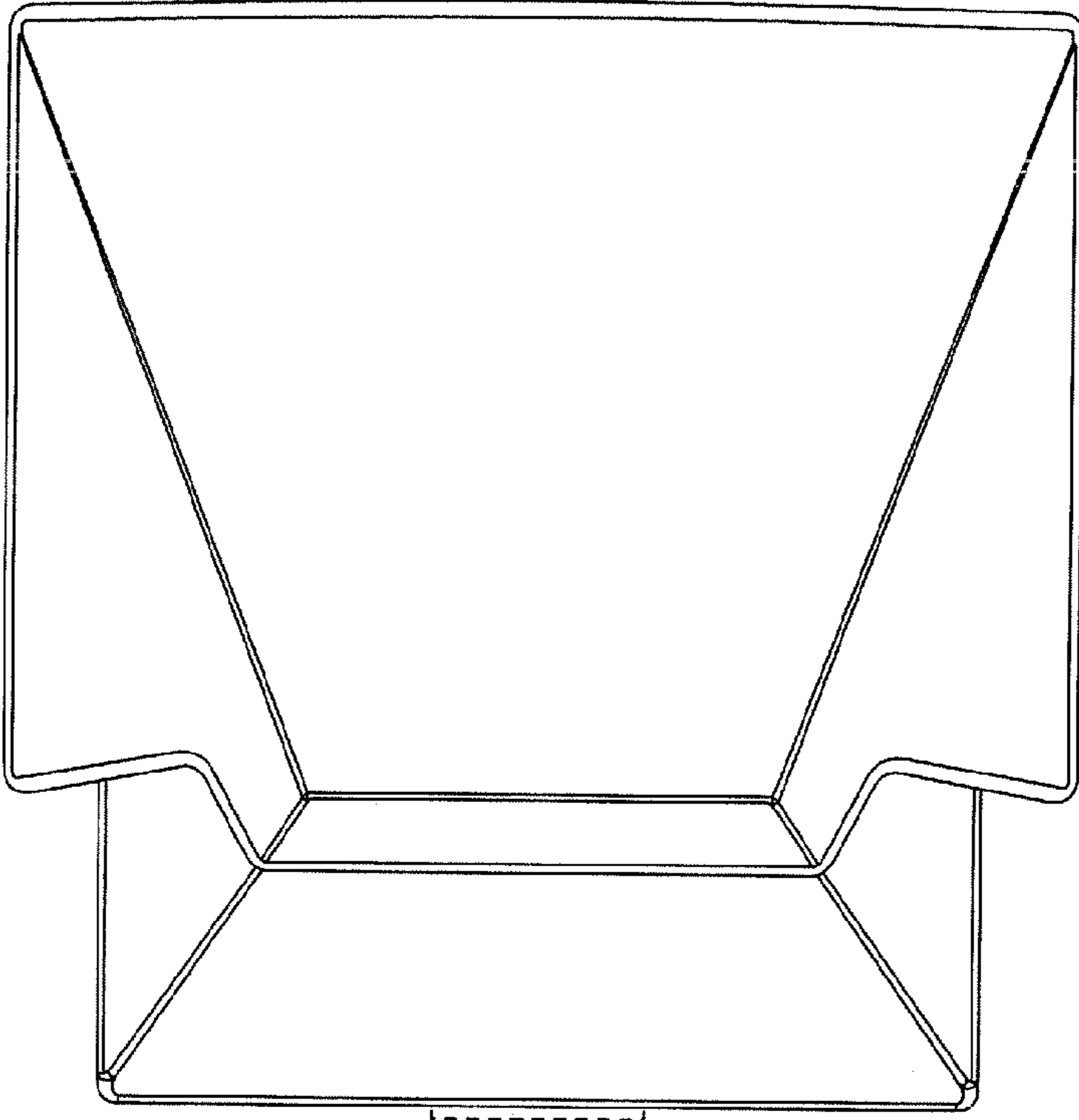


FIG. 3

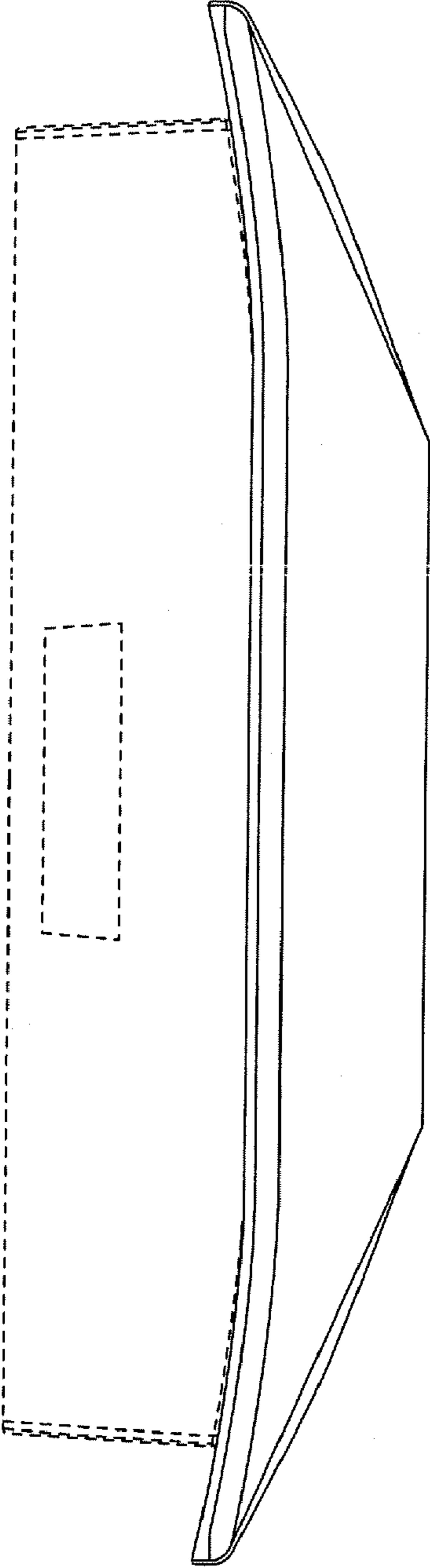


FIG. 4

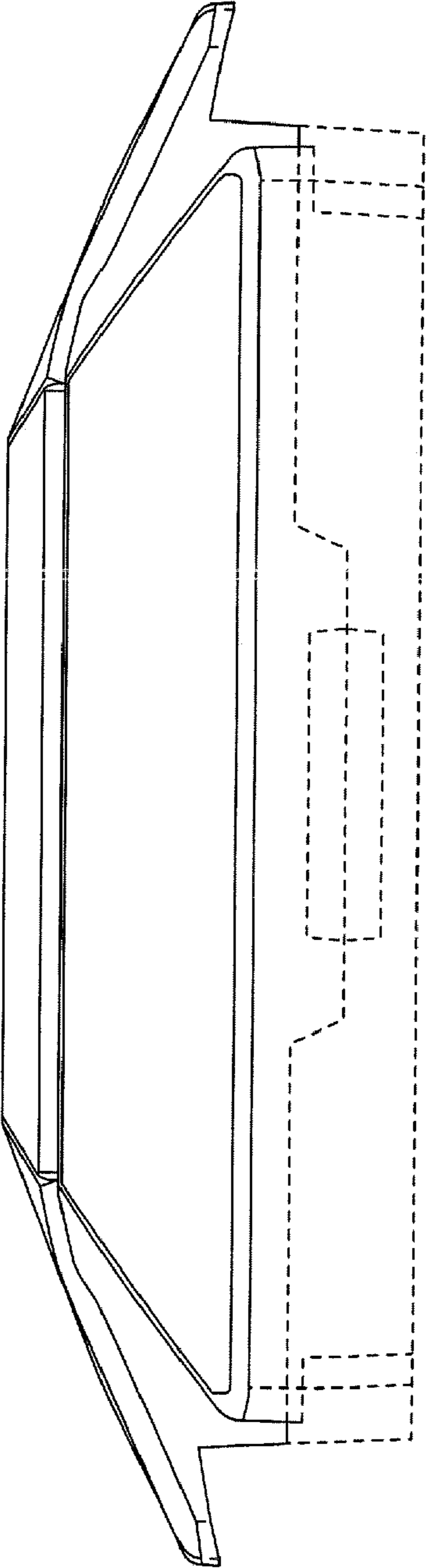


FIG. 5

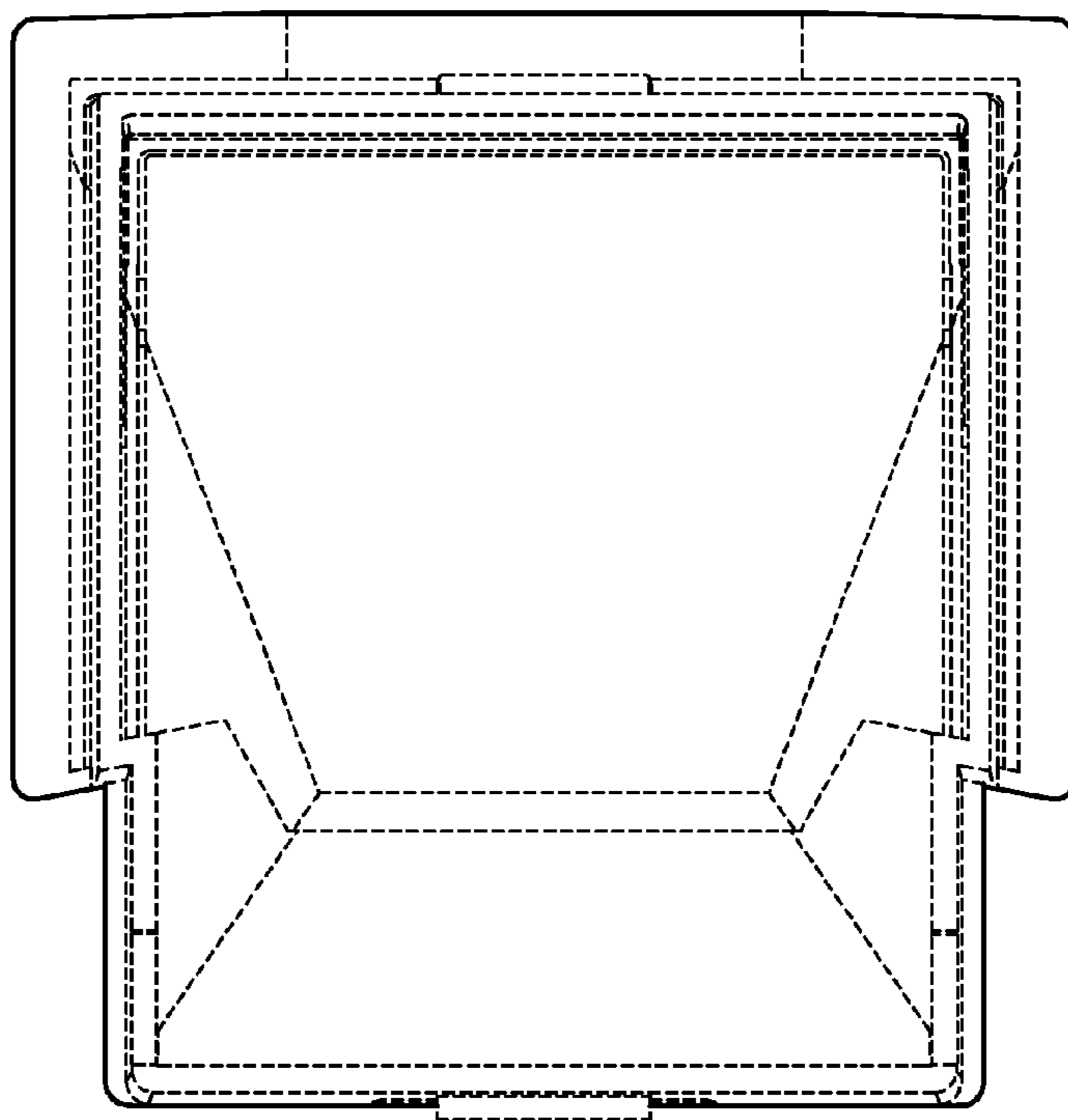


FIG. 6

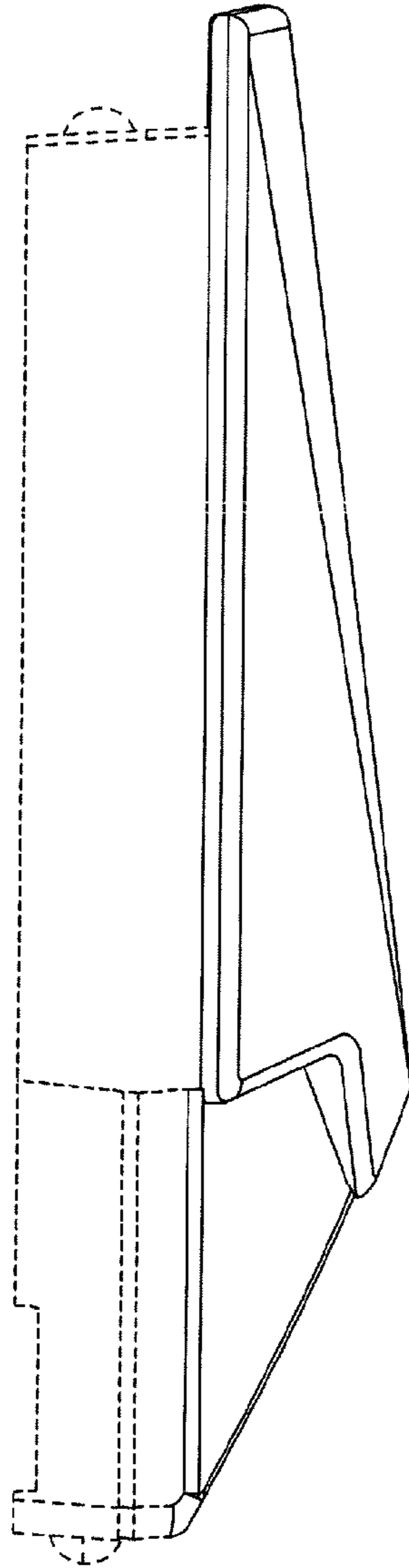


FIG. 7

