



US00D672092S

(12) **United States Design Patent**
Junkins

(10) **Patent No.:** **US D672,092 S**
(45) **Date of Patent:** **** Dec. 4, 2012**

(54) **SONIC BATH SCRUBBER**

(76) Inventor: **Mitch Junkins**, Newport Beach, CA
(US)

(**) Term: **14 Years**

(21) Appl. No.: **29/416,610**

(22) Filed: **Mar. 23, 2012**

(51) **LOC (9) Cl.** **28-03**

(52) **U.S. Cl.** **D28/63; D4/129**

(58) **Field of Classification Search** D4/100,
D4/129, 130, 127, 199; D24/214; D28/63;
D32/17, 40, 52; 15/97.1, 97.3, 98, 101, 103,
15/208, 209.1, 210.1, 220.1, 229.11–229.13,
15/244.1; 401/6, 8; 601/80, 84, 107, 108,
601/136–138

See application file for complete search history.

(56) **References Cited**

U.S. PATENT DOCUMENTS

D332,841	S	*	1/1993	Levison	D28/63
5,704,723	A	*	1/1998	Salisian	401/8
D554,311	S	*	10/2007	Lee et al.	D28/63
D623,355	S	*	9/2010	Lee et al.	D28/63
8,167,510	B2	*	5/2012	LaFlamme et al.	401/188 R

FOREIGN PATENT DOCUMENTS

KR		28999	S	*	4/1980
KR		30-0349265	S	*	4/2004
WO		WO 9104002	A1	*	4/1991

* cited by examiner

Primary Examiner — Melanie H Tung

Assistant Examiner — Lavone D Tabor

(74) *Attorney, Agent, or Firm* — Hani Z. Sayed; Rutan & Tucker, LLP

(57) **CLAIM**

The ornamental design for sonic bath scrubber, as shown and described.

DESCRIPTION

FIG. 1 is a top, rear, left side perspective view of the present invention;

FIG. 2 is a front elevation view of the present invention;

FIG. 3 is a rear elevation view of the present invention;

FIG. 4 is a right side elevation view of the present invention;

FIG. 5 is a left side elevation view of the present invention;

FIG. 6 is a top, plane view of the present invention; and,

FIG. 7 is a bottom plane view of the present invention.

The broken line structure shown in FIGS. 1 and 2 forms no part of the claimed design.

1 Claim, 4 Drawing Sheets

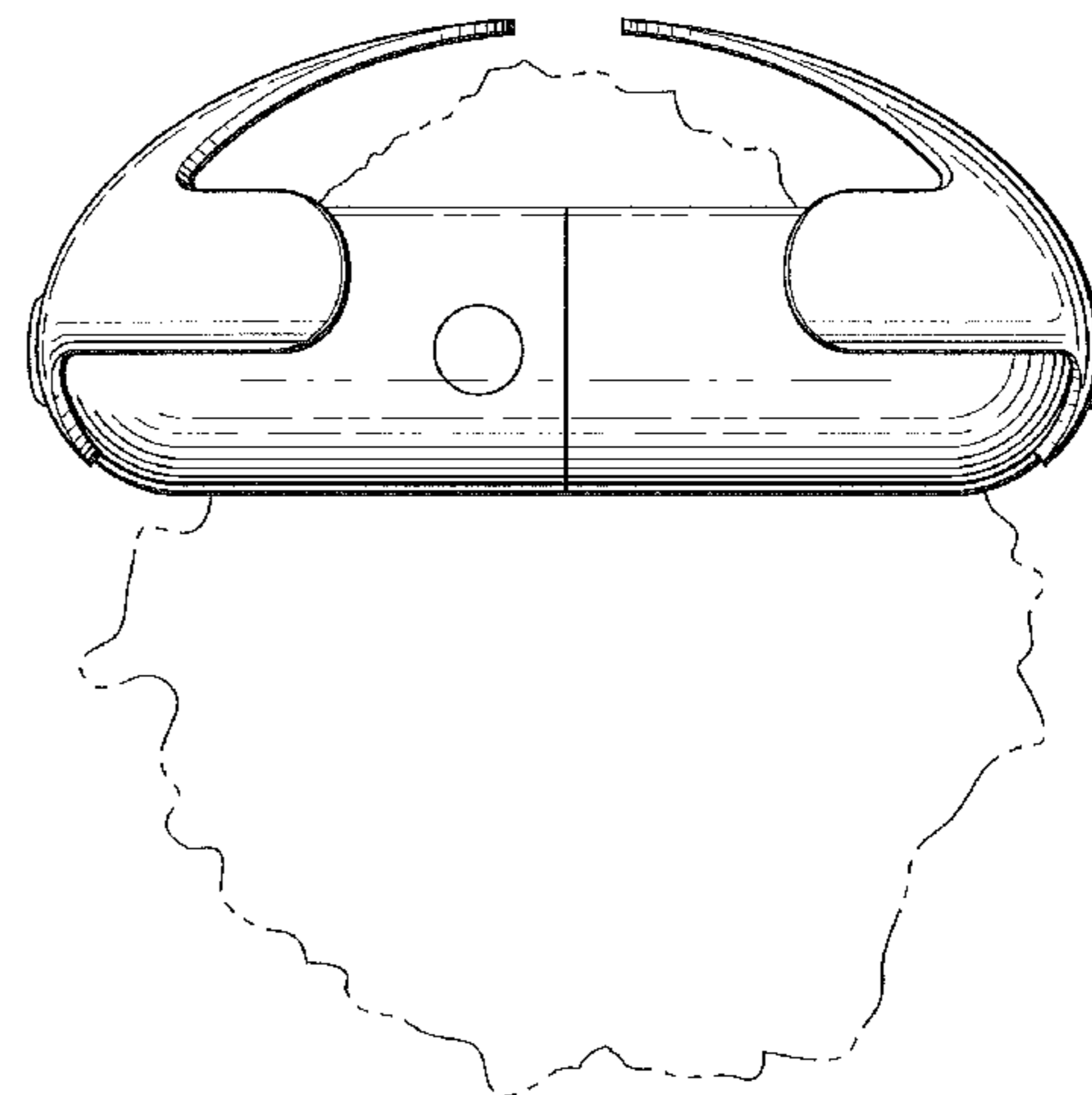
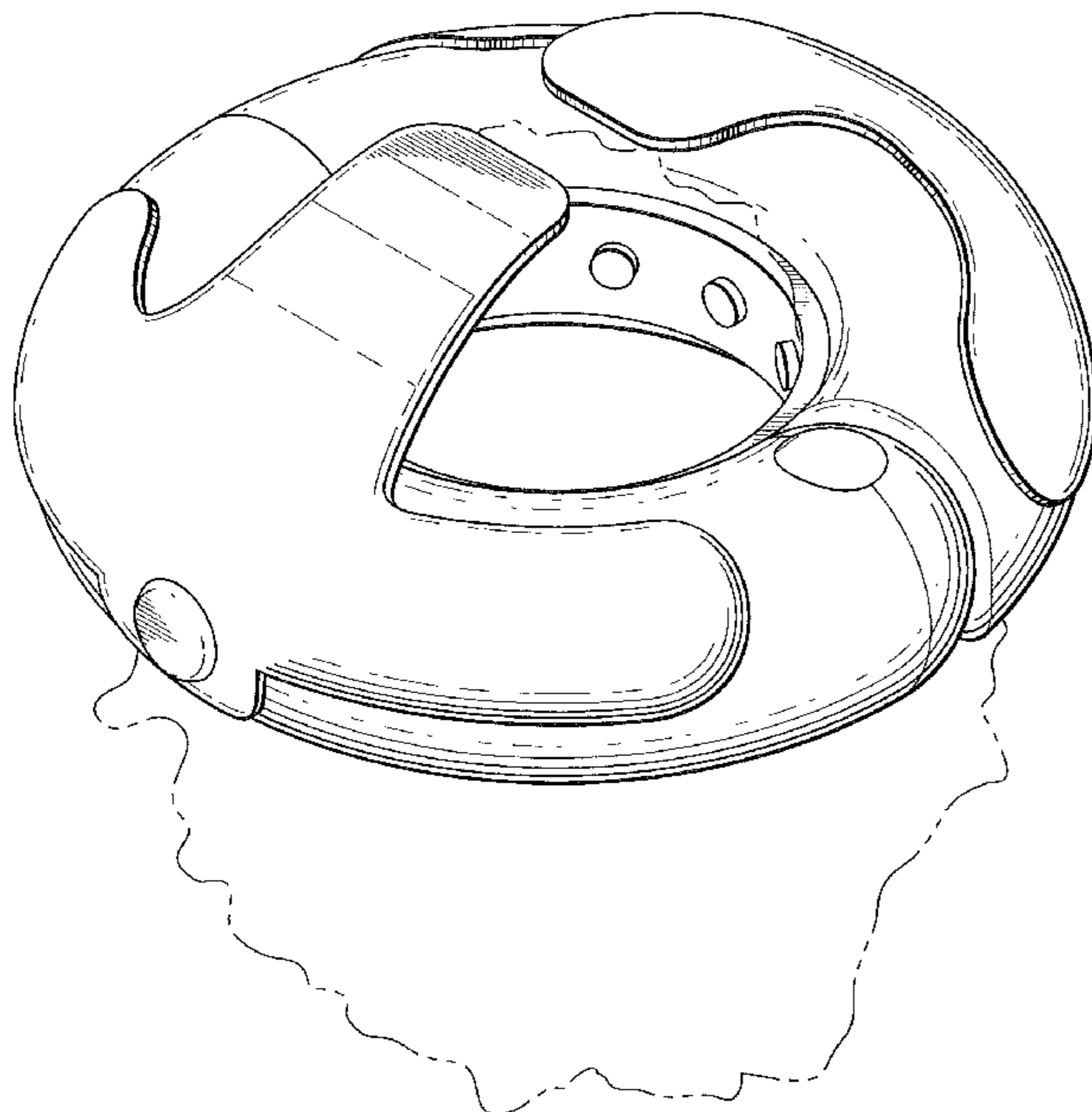
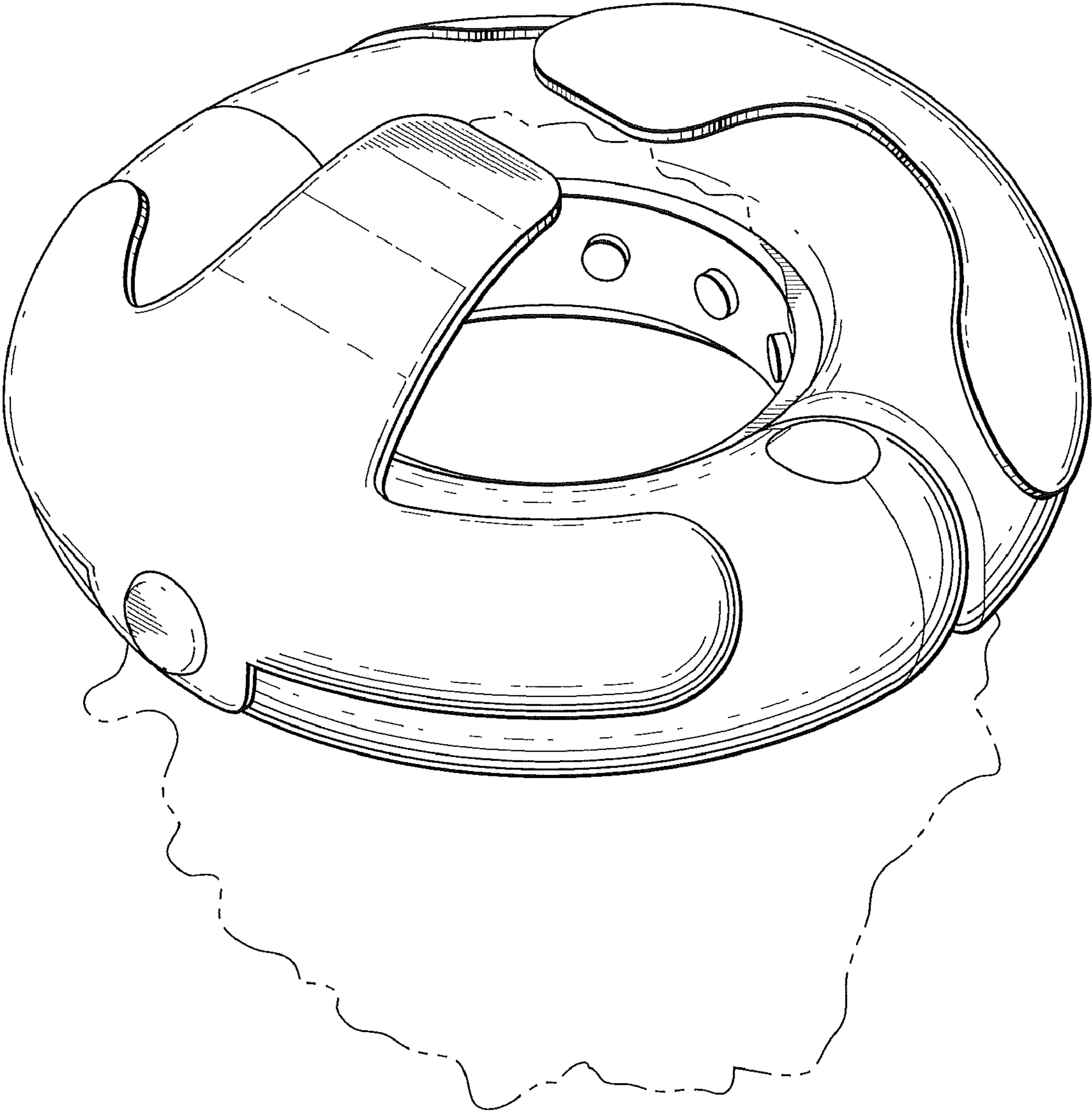


FIG. 1



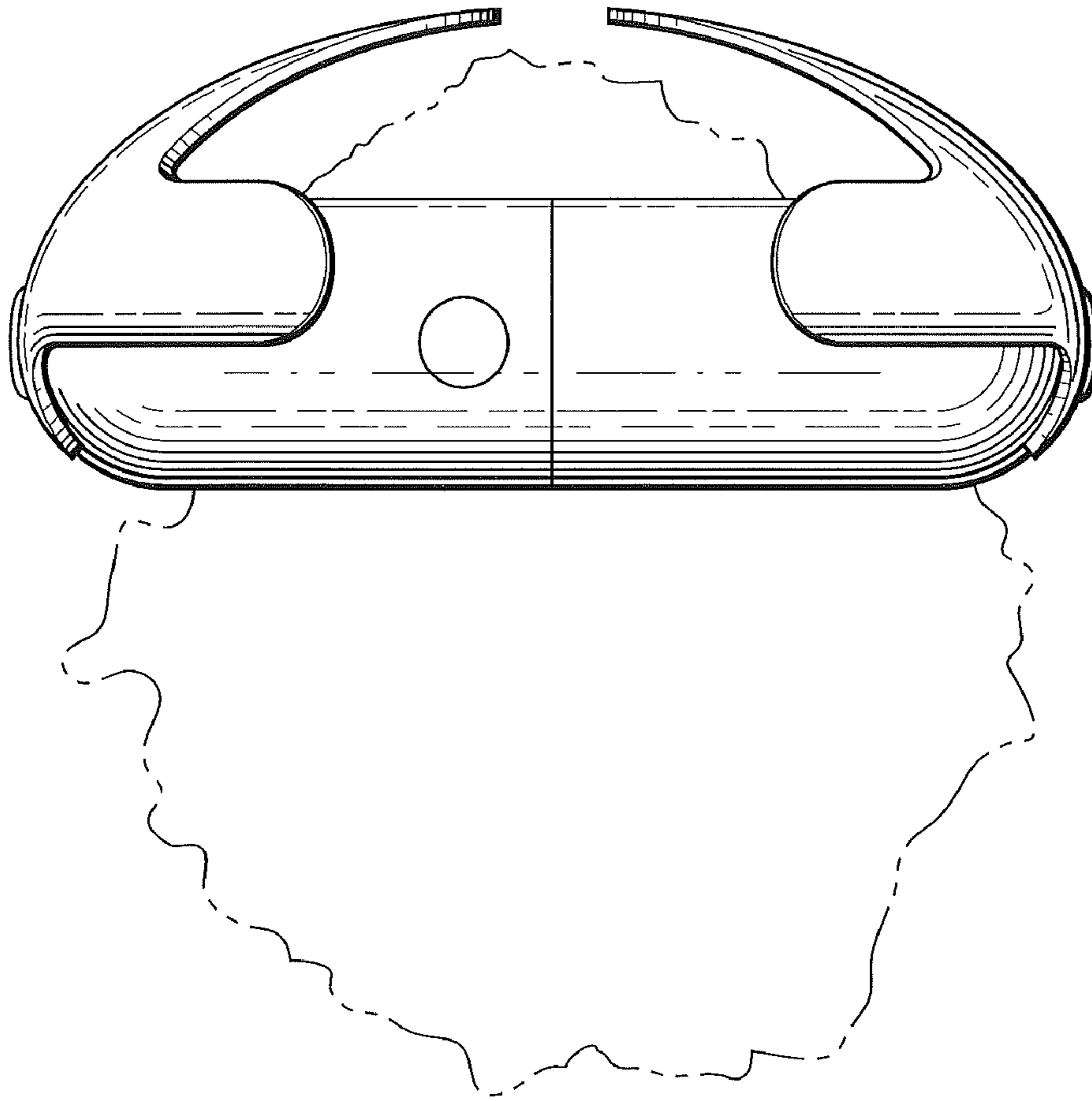
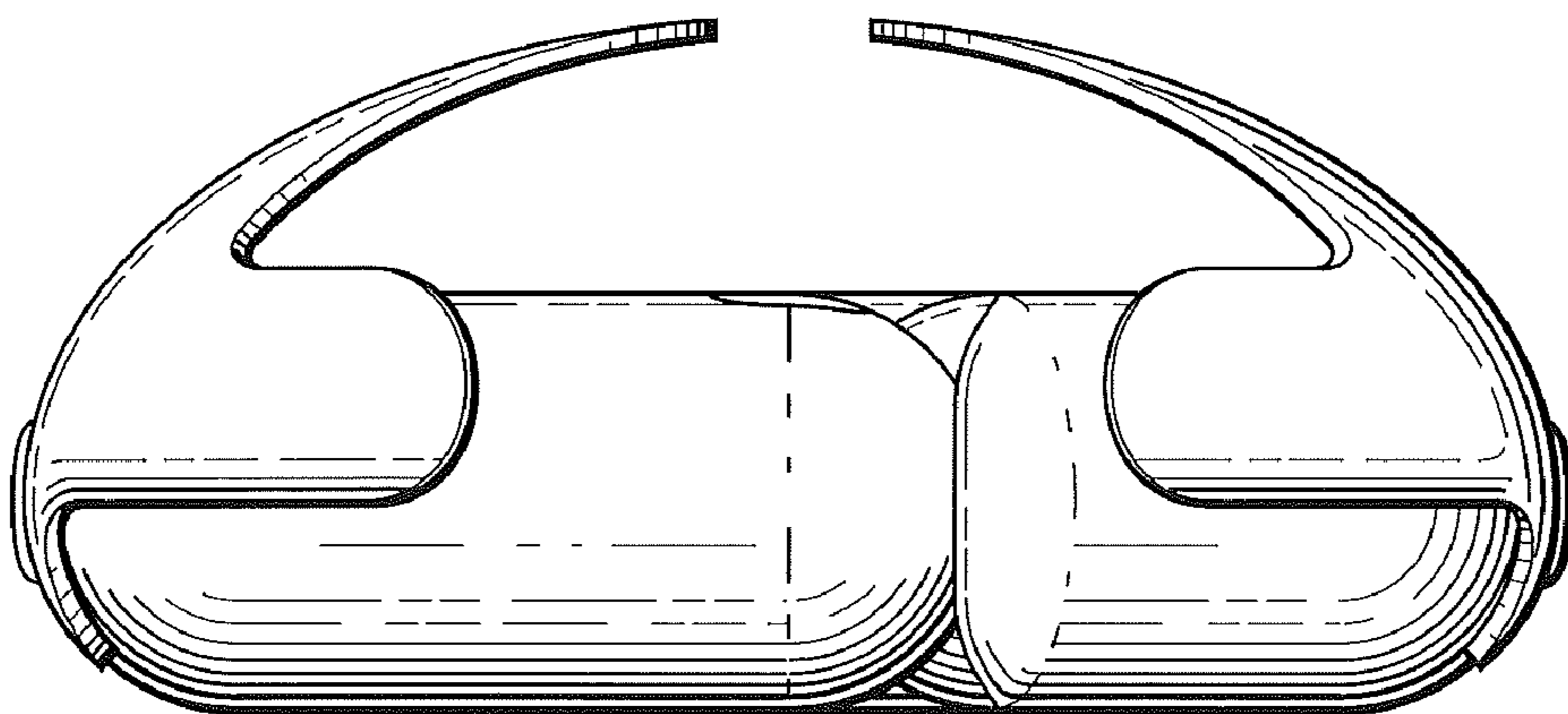


FIG. 2

FIG. 3



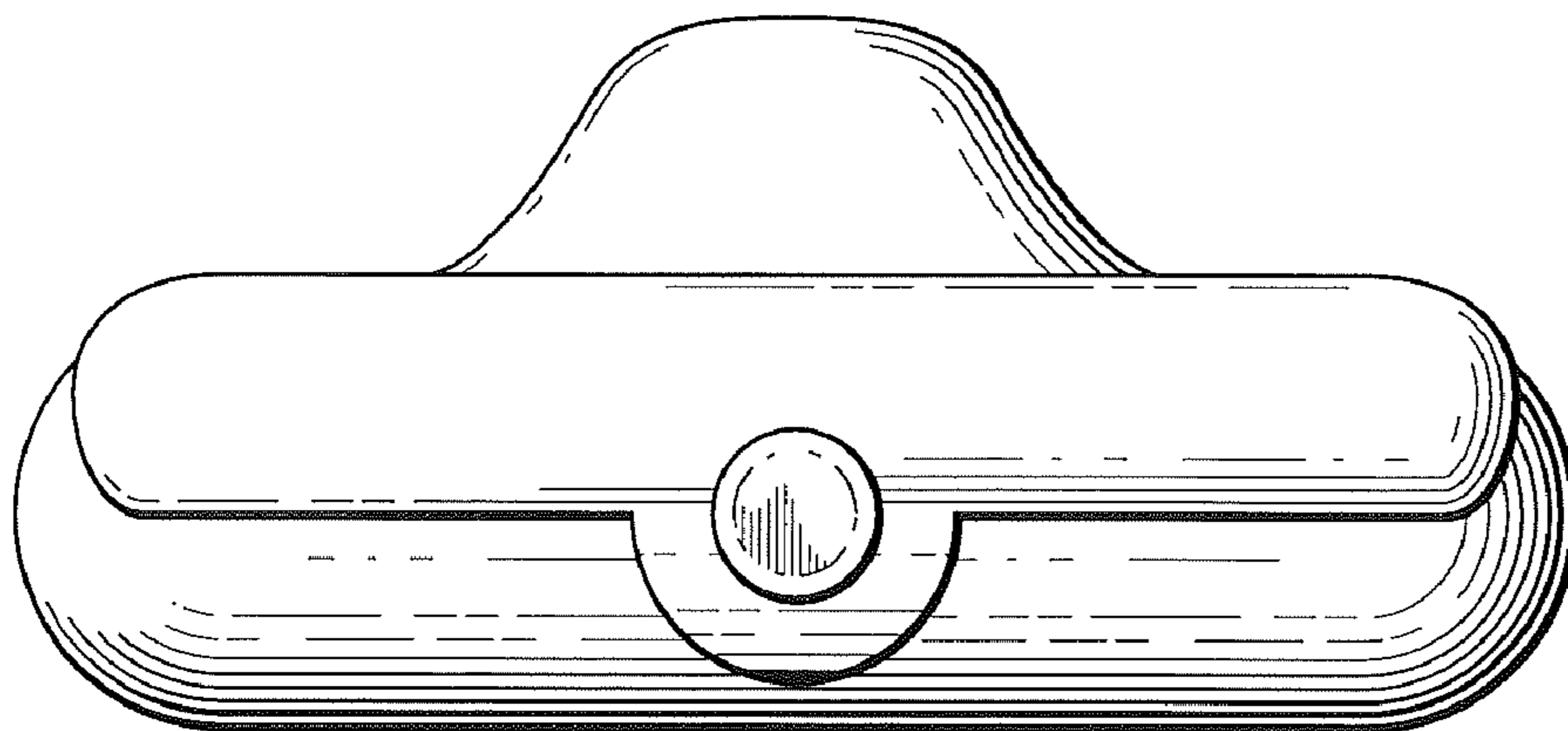
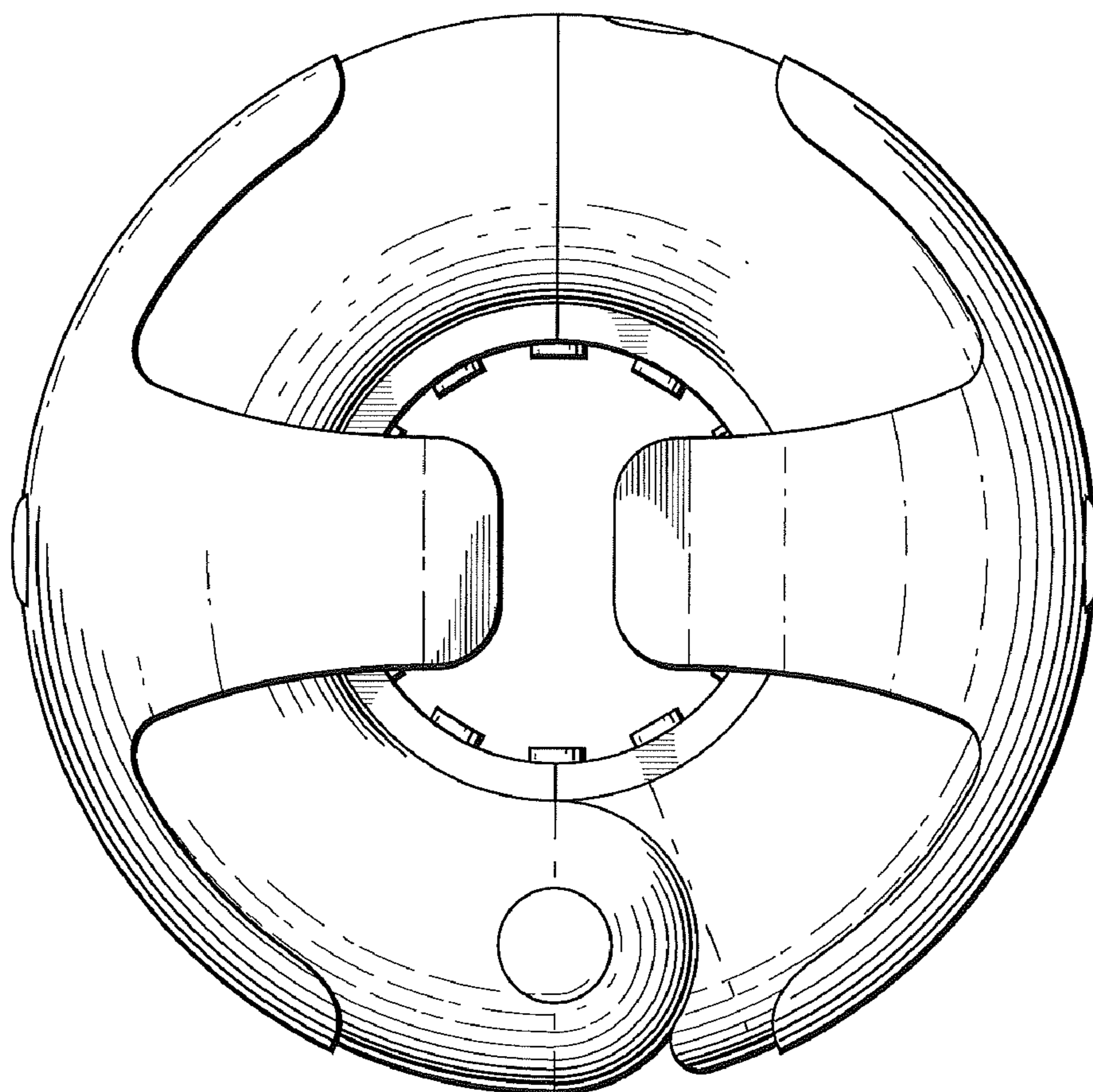


FIG. 4

FIG. 6



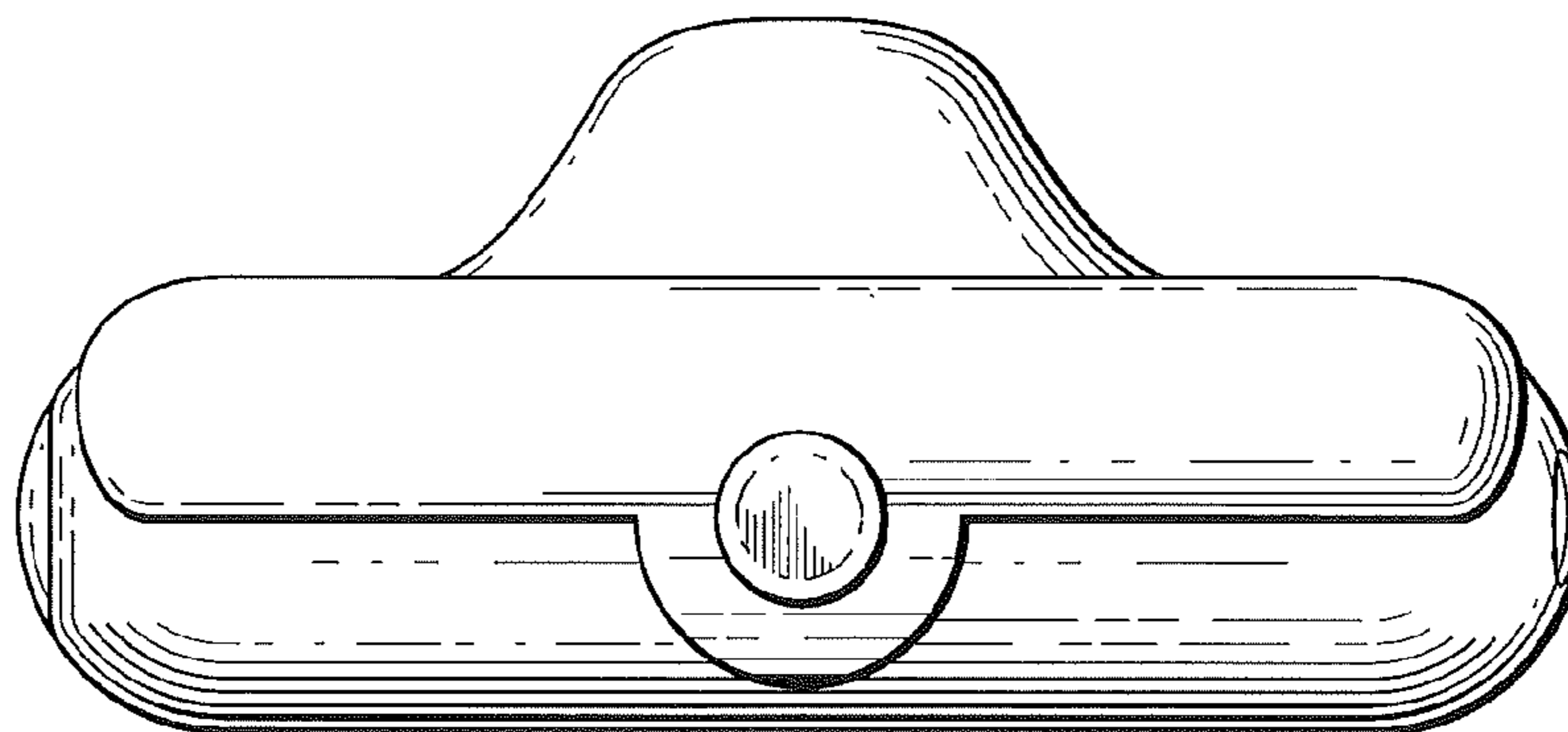


FIG. 5

FIG. 7

