



US00D672088S

(12) **United States Design Patent**
Julémont

(10) **Patent No.:** **US D672,088 S**
(45) **Date of Patent:** **** Dec. 4, 2012**

(54) **HAIR STRAIGHTENER**

(75) Inventor: **Pierre Julémont**, Soumagne (BE)

(73) Assignee: **Babyliss Faco SA**, Wandre (BE)

(**) Term: **14 Years**

(21) Appl. No.: **29/412,464**

(22) Filed: **Feb. 3, 2012**

(30) **Foreign Application Priority Data**

Aug. 4, 2011 (EM) 001901224-0003

(51) **LOC (9) Cl.** **28-03**

(52) **U.S. Cl.** **D28/35**

(58) **Field of Classification Search** D28/35-38;
132/223-272; 219/222, 225-226

See application file for complete search history.

(56) **References Cited**

U.S. PATENT DOCUMENTS

D596,790 S * 7/2009 Rizzuto D28/35

D629,156 S * 12/2010 Kim D28/35

D641,927 S * 7/2011 Kim D28/35

D645,614 S * 9/2011 Kim D28/35

D650,941 S * 12/2011 Sidebotham D28/35

D651,741 S * 1/2012 Kim D28/35

D651,743 S * 1/2012 Kim D28/35

* cited by examiner

Primary Examiner — Jennifer Rivard

(74) *Attorney, Agent, or Firm* — Ladas & Parry LLP

(57) **CLAIM**

The ornamental design for a hair straightener, as shown and described.

DESCRIPTION

FIG. 1 is a perspective view from above to the right of the hair straightener, which is the subject of my new design;

FIG. 2 is a perspective view from above and to the left thereof;

FIG. 3 is a top plan view thereof;

FIG. 4 is a bottom plan view thereof;

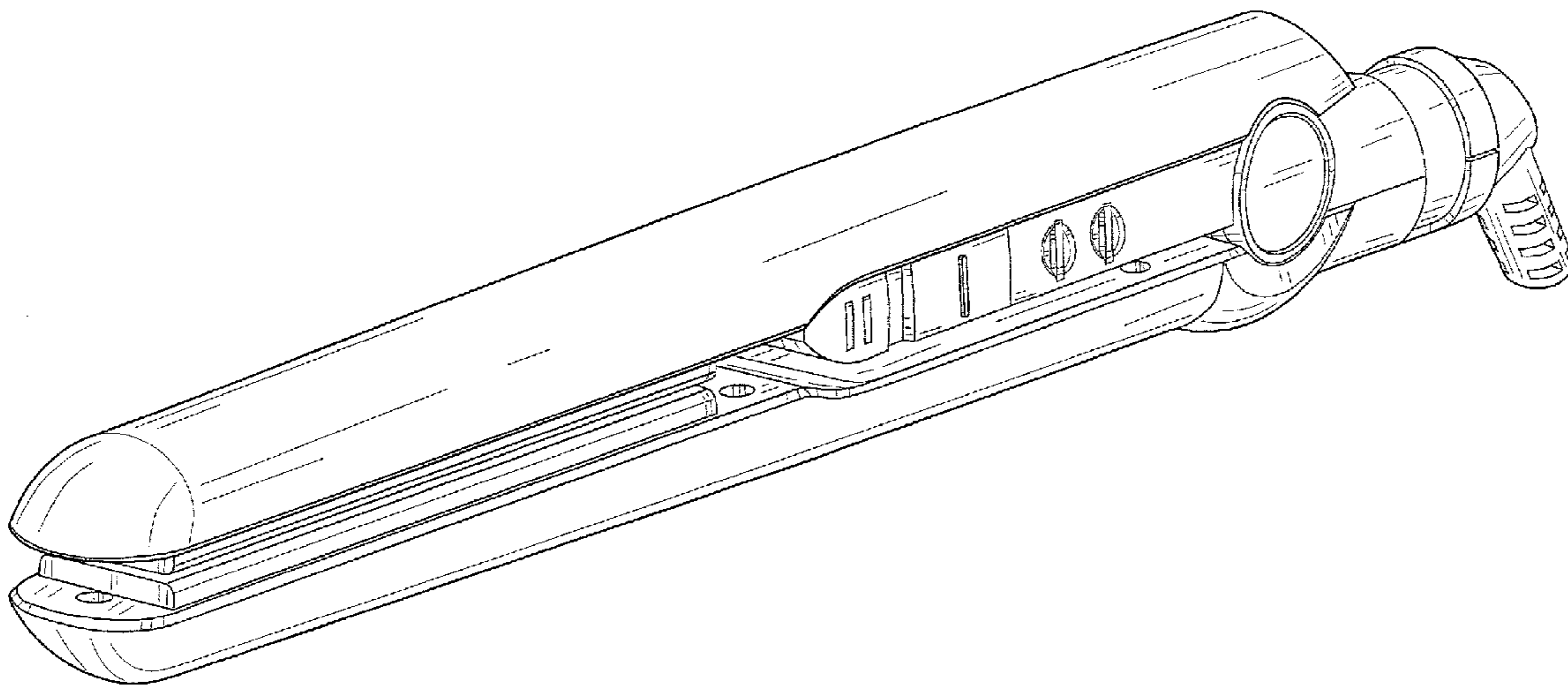
FIG. 5 is a left side elevational view thereof;

FIG. 6 is a right side elevational view thereof;

FIG. 7 is a front elevational view thereof; and,

FIG. 8 is a rear elevational view thereof.

1 Claim, 8 Drawing Sheets



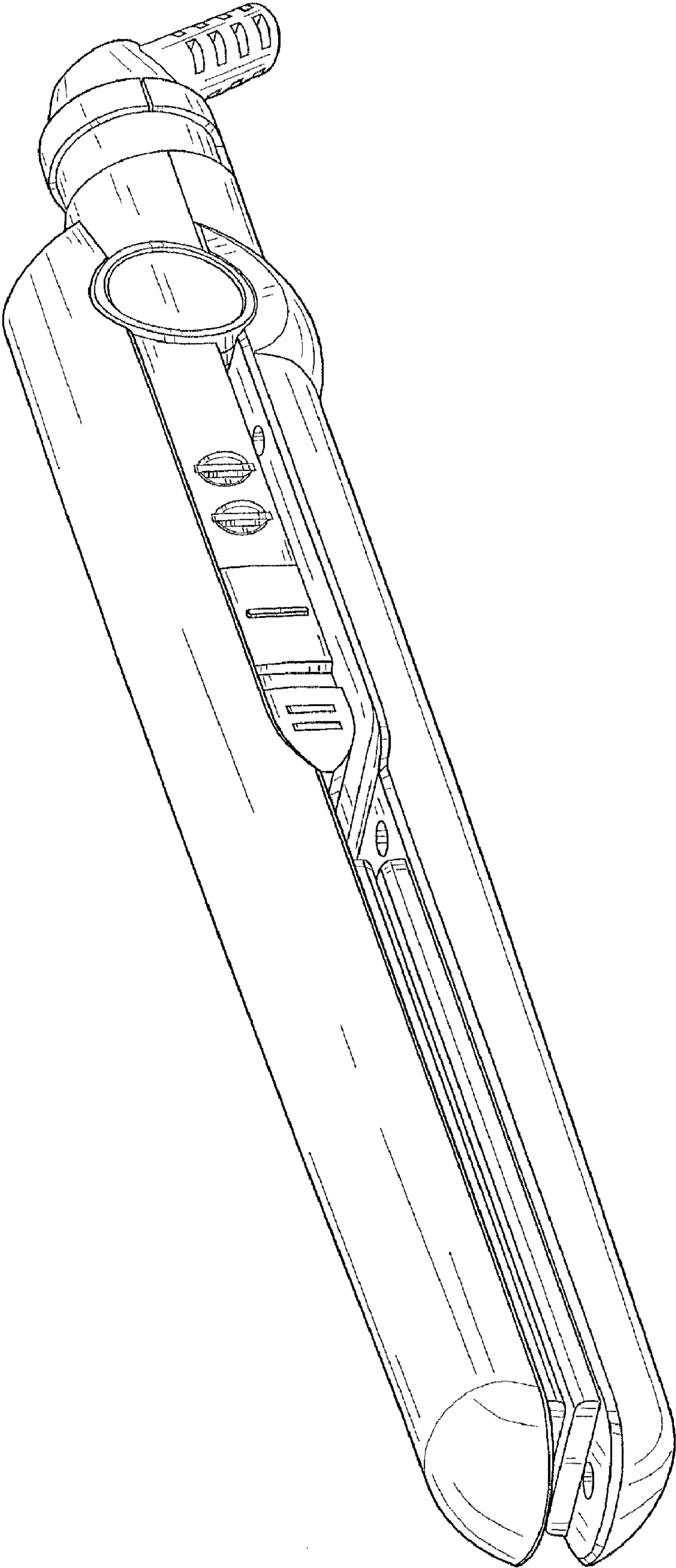


FIG. 1

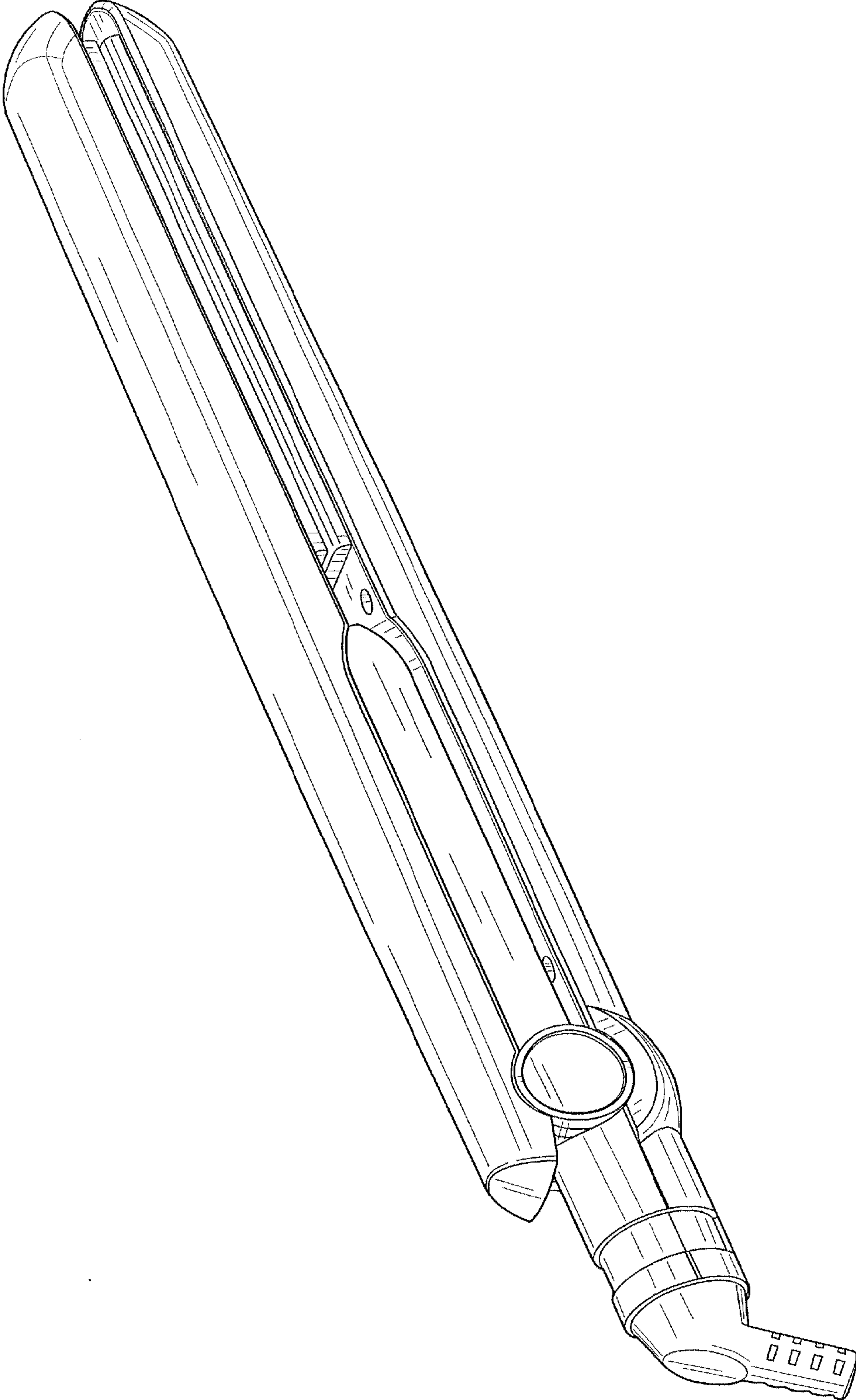


FIG. 2

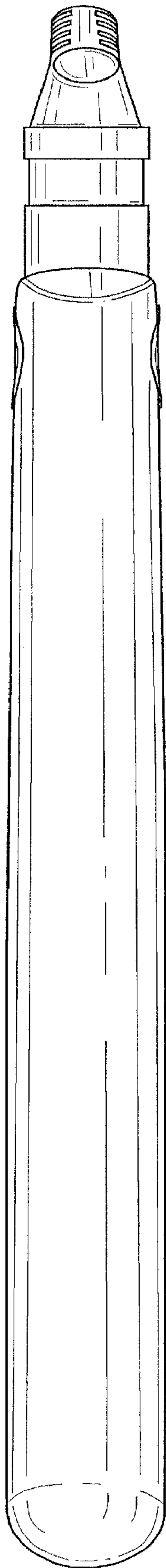


FIG. 3

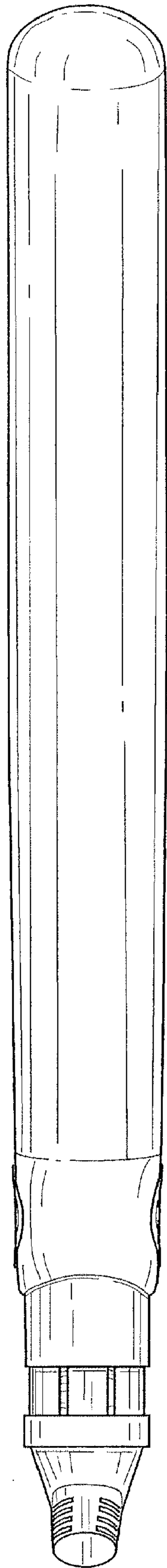


FIG. 4

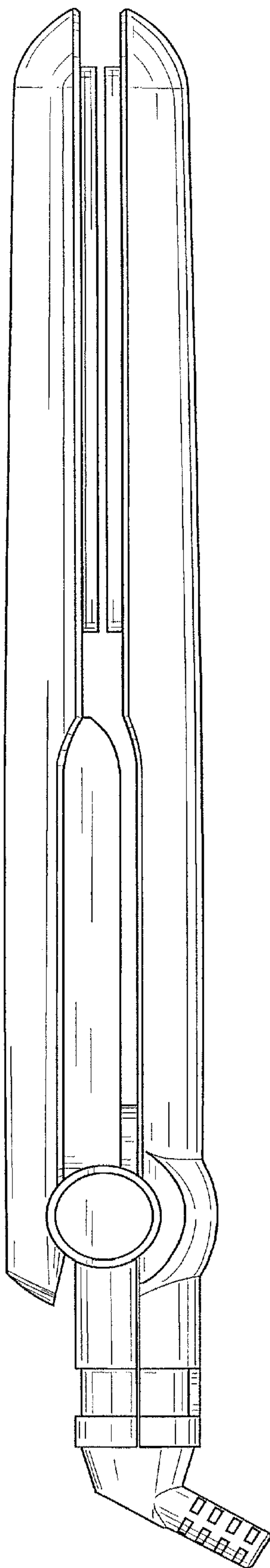


FIG. 5

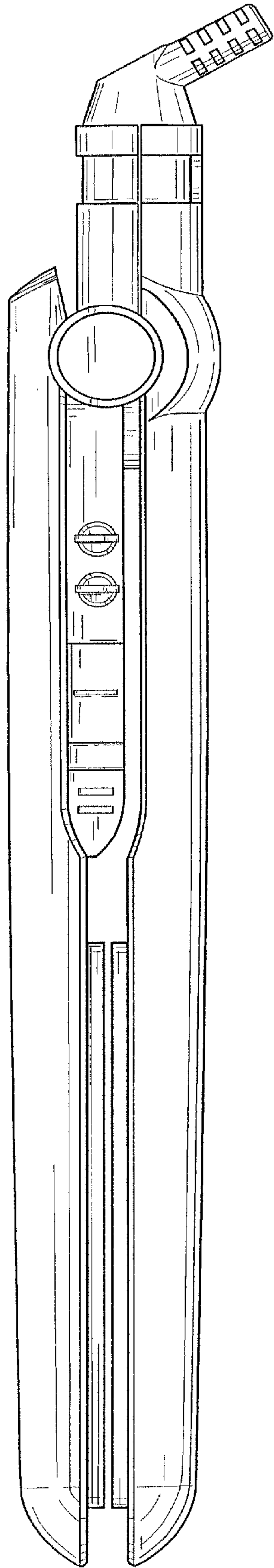


FIG. 6

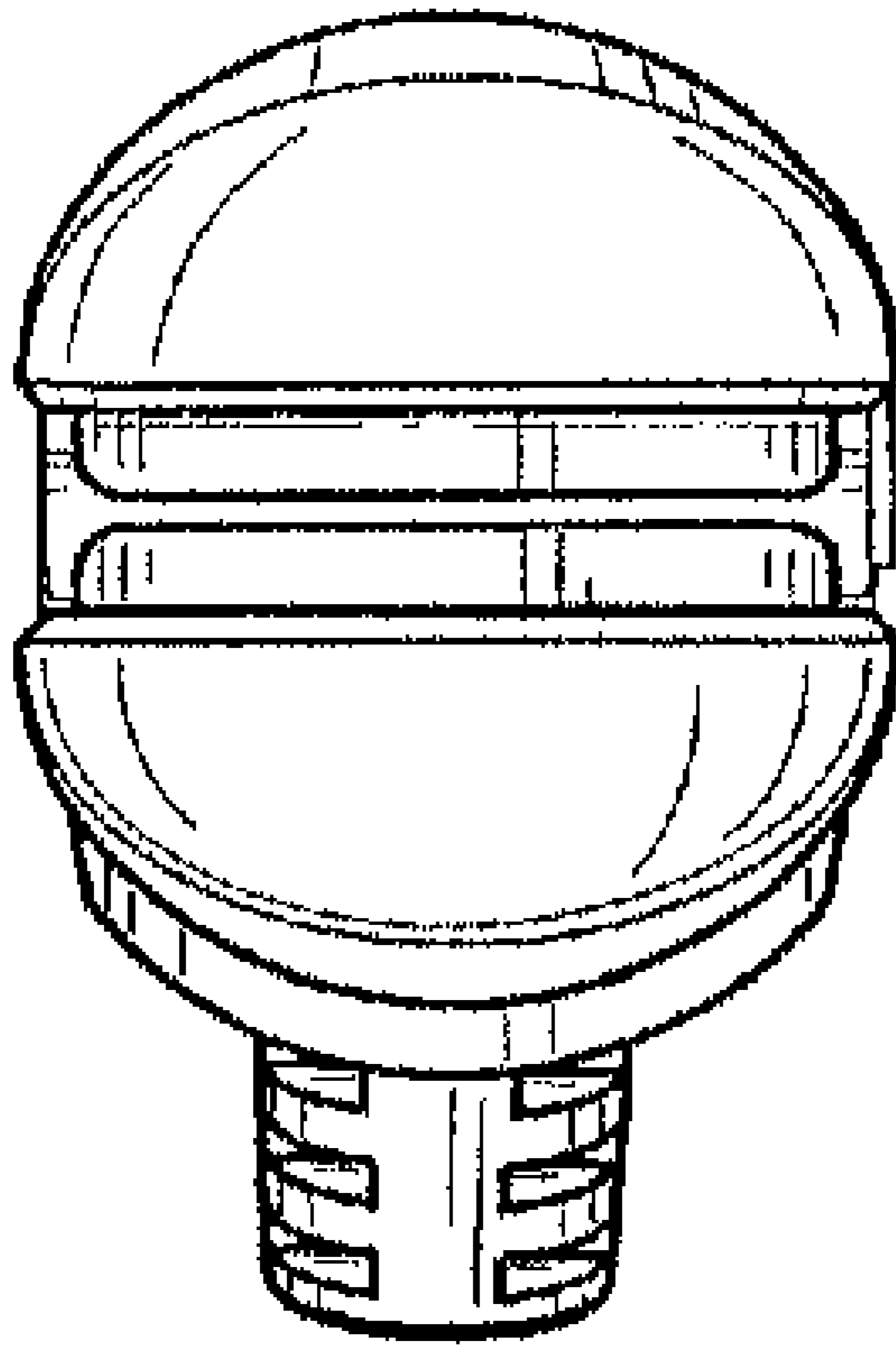


FIG. 7

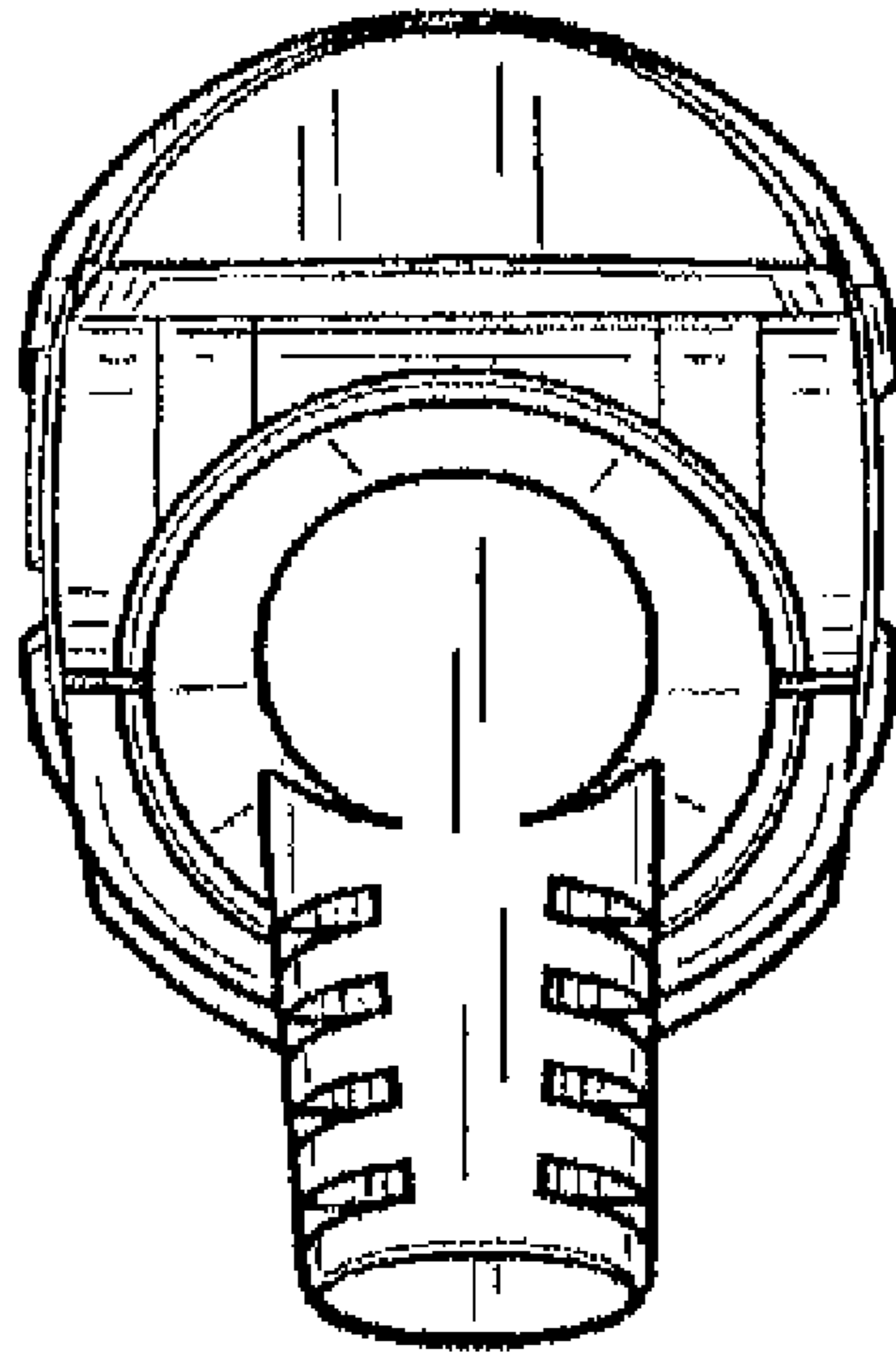


FIG. 8