



US00D672087S

(12) **United States Design Patent**  
**Julémont**

(10) **Patent No.:** **US D672,087 S**  
(45) **Date of Patent:** **\*\* Dec. 4, 2012**

(54) **HAIR STRAIGHTENER**  
(75) Inventor: **Pierre Julémont**, Soumagne (BE)  
(73) Assignee: **Babyliss Faco SA**, Wandre (BE)  
(\*\*) Term: **14 Years**  
(21) Appl. No.: **29/412,462**  
(22) Filed: **Feb. 3, 2012**

(30) **Foreign Application Priority Data**

Aug. 4, 2011 (EM) ..... 001901224-0001

(51) **LOC (9) Cl.** ..... **28-03**  
(52) **U.S. Cl.** ..... **D28/35**  
(58) **Field of Classification Search** ..... D28/35-38;  
132/223-272; 219/222, 225-226  
See application file for complete search history.

(56) **References Cited**

**U.S. PATENT DOCUMENTS**

D570,044 S \* 5/2008 Leung ..... D28/35  
D596,797 S \* 7/2009 Kwok ..... D28/35  
D609,400 S \* 2/2010 Yang ..... D28/35

D624,698 S \* 9/2010 Mayo et al. .... D28/35  
D625,048 S \* 10/2010 Mayo et al. .... D28/35  
D627,515 S \* 11/2010 Kim ..... D28/35  
D645,614 S \* 9/2011 Kim ..... D28/35  
D651,743 S \* 1/2012 Kim ..... D28/35  
D651,744 S \* 1/2012 Schmitz ..... D28/35

\* cited by examiner

*Primary Examiner* — Jennifer Rivard  
(74) *Attorney, Agent, or Firm* — Ladas & Parry LLP

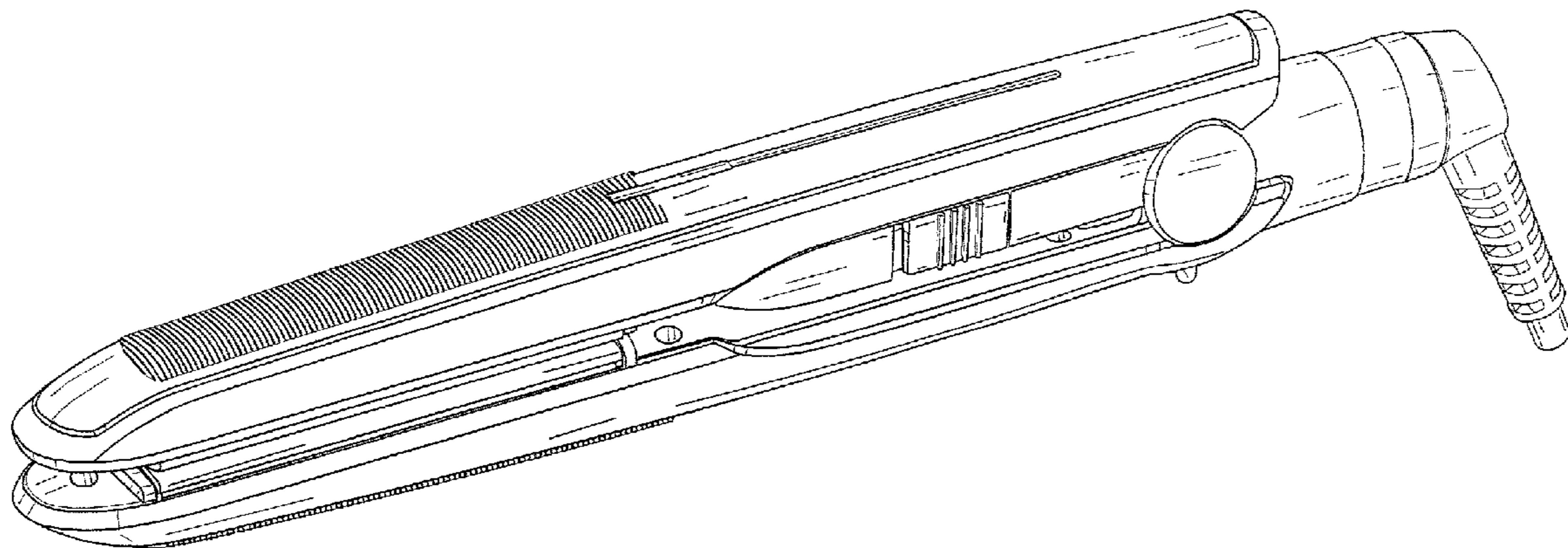
(57) **CLAIM**

The ornamental design for a hair straightener, as shown and described.

**DESCRIPTION**

FIG. 1 is a perspective view from above to the right of the hair straightener, which is the subject of my new design in an open position;  
FIG. 2 is a perspective view from above and to the right of the hair straightener in the closed position;  
FIG. 3 is a top plan view thereof;  
FIG. 4 is a bottom plan view thereof;  
FIG. 5 is a left side elevational view thereof;  
FIG. 6 is a right side elevational view thereof;  
FIG. 7 is a front elevational view thereof; and,  
FIG. 8 is a rear elevational view thereof.

**1 Claim, 8 Drawing Sheets**



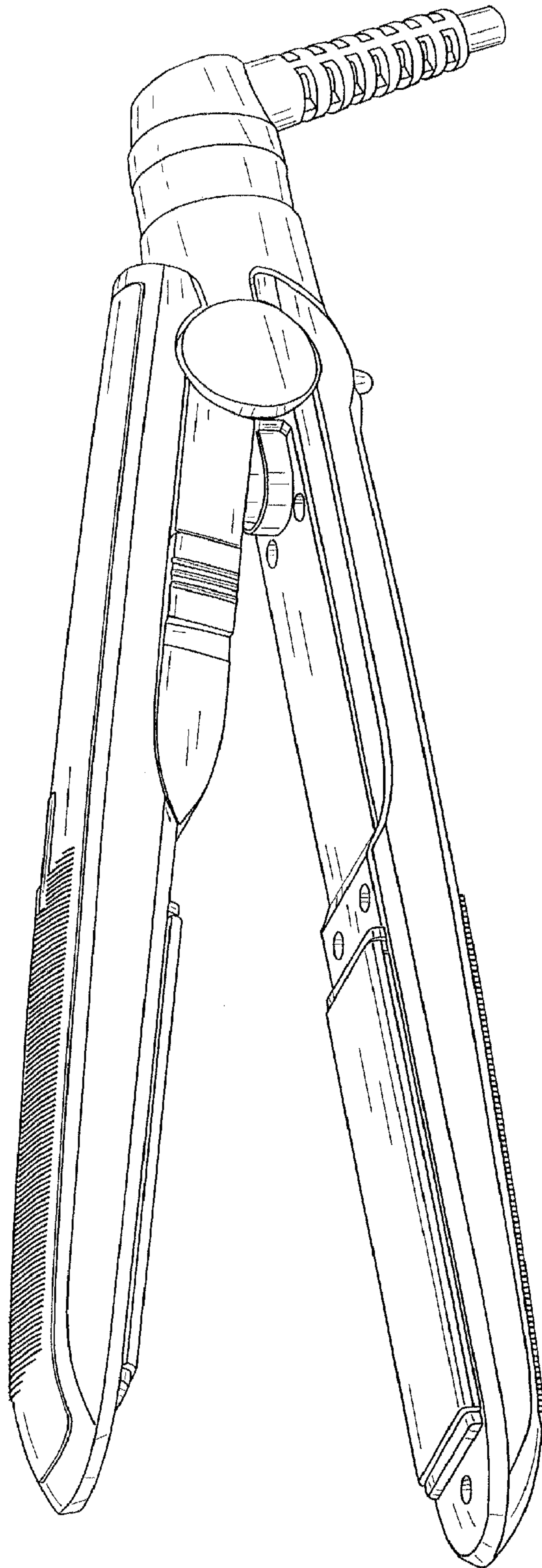


FIG. 1

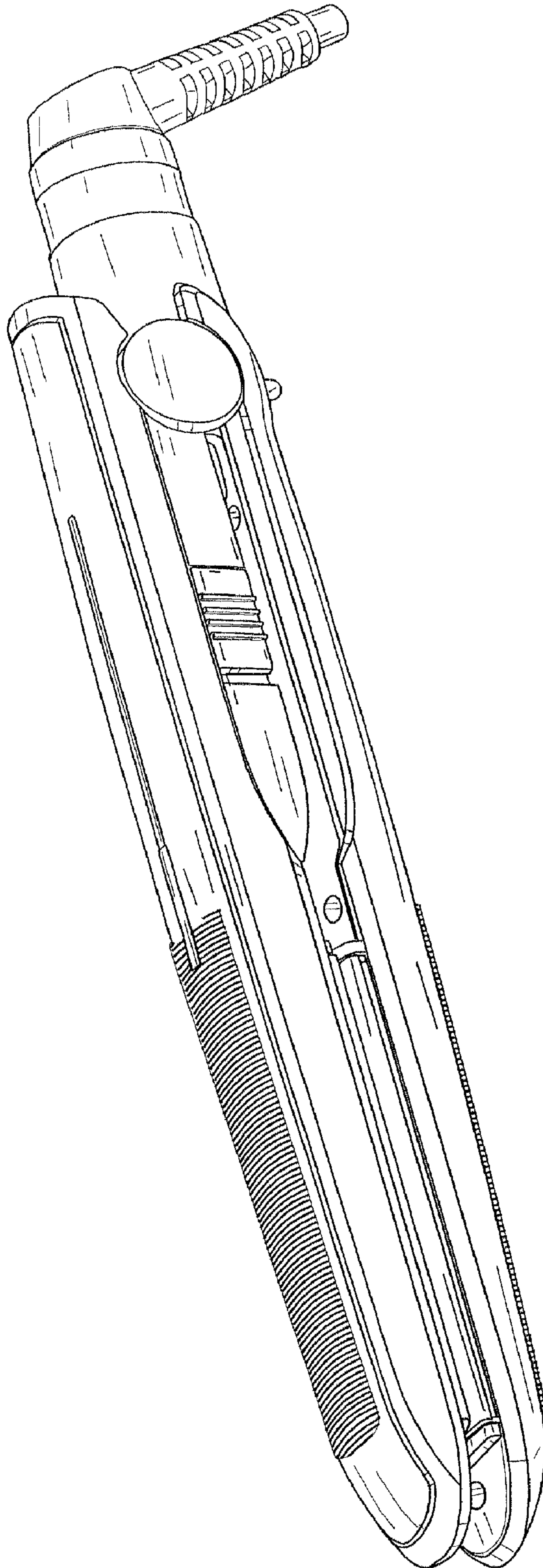


FIG. 2

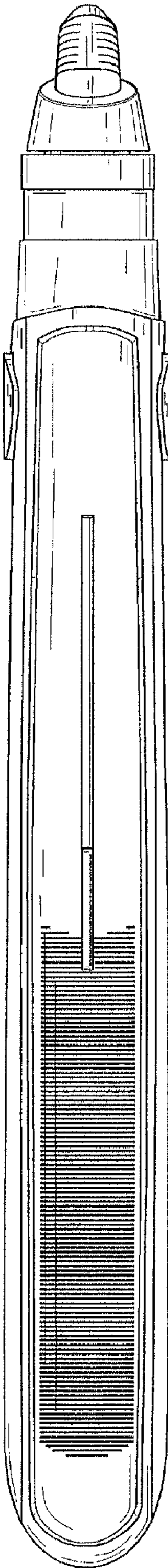


FIG. 3

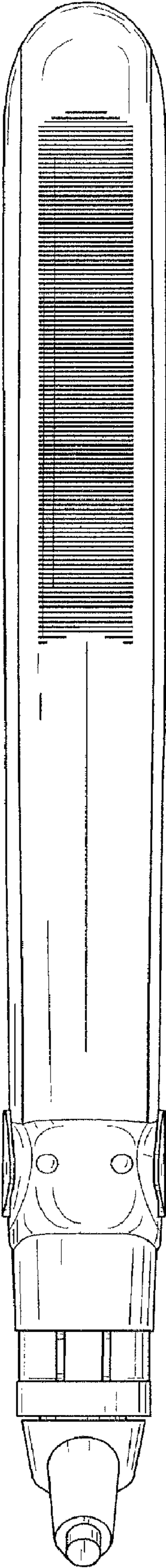


FIG. 4

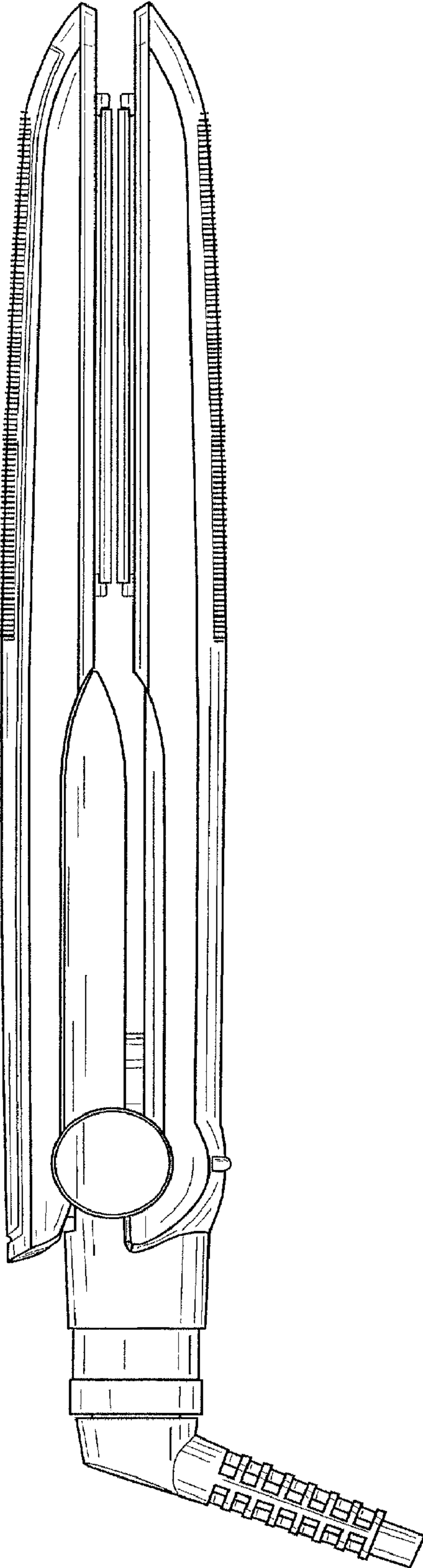


FIG. 5

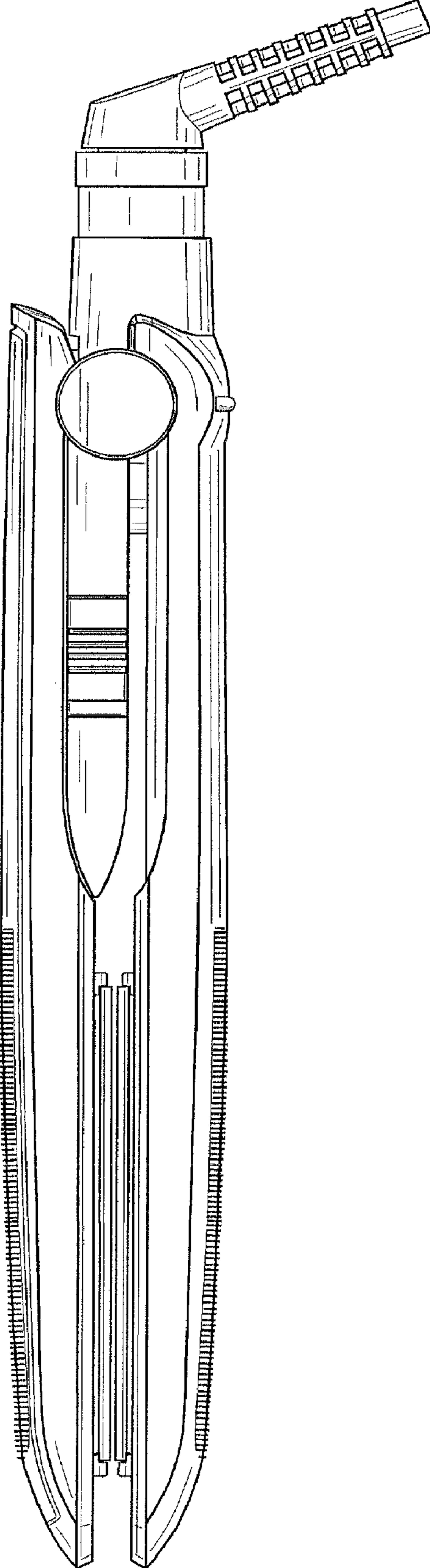
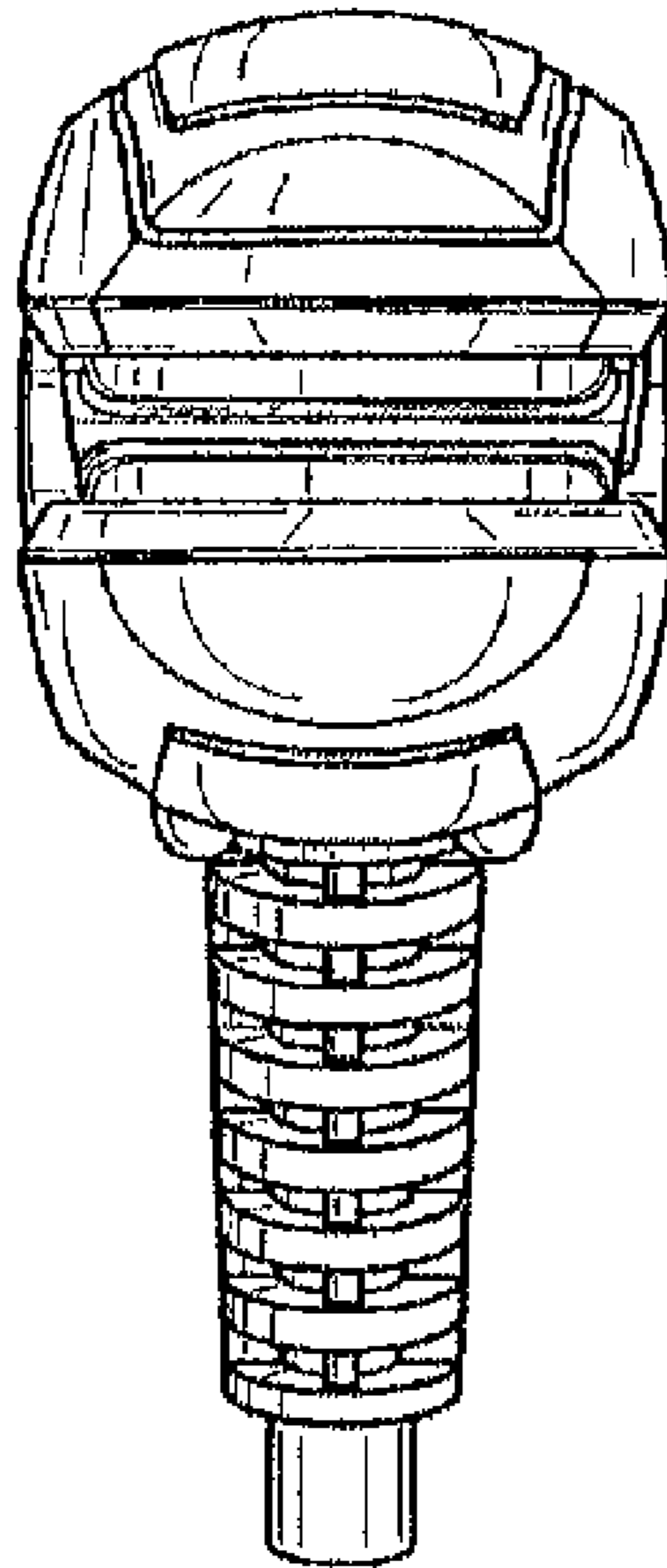
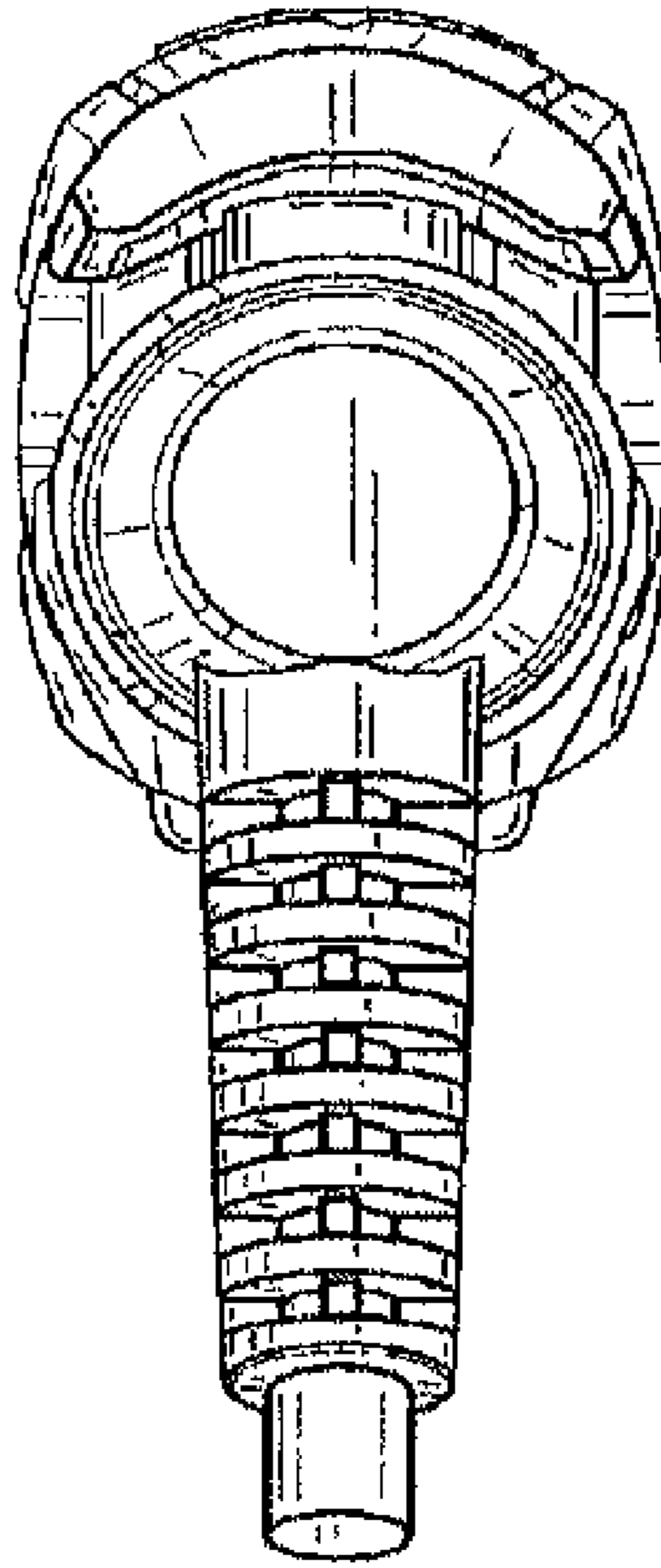


FIG. 6



**FIG. 7**





**FIG. 8**