



US00D672086S

(12) **United States Design Patent**
Tai

(10) **Patent No.:** **US D672,086 S**

(45) **Date of Patent:** **** Dec. 4, 2012**

(54) **PORTABLE SHAMPOOING EQUIPMENT**

(76) Inventor: **Ming-Chia Tai**, Taichung (TW)

(**) Term: **14 Years**

(21) Appl. No.: **29/405,380**

(22) Filed: **Nov. 1, 2011**

(51) **LOC (9) Cl.** **28-03**

(52) **U.S. Cl.** **D28/20; D23/289**

(58) **Field of Classification Search** D28/9-10,
D28/20; D23/289; 4/515-523
See application file for complete search history.

(56) **References Cited**

U.S. PATENT DOCUMENTS

D475,158 S *	5/2003	Sato	D28/20
D482,820 S *	11/2003	Minami	D28/20
D489,481 S *	5/2004	Minami	D28/20
6,925,660 B1 *	8/2005	Cartwright	4/523
7,171,704 B2 *	2/2007	Johnson	4/518

8,032,957 B2 *	10/2011	Sullivan	4/520
2004/0148692 A1 *	8/2004	Johnson	4/515
2006/0174404 A1 *	8/2006	Sullivan	4/520
2010/0162479 A1 *	7/2010	Tai	4/516
2010/0199418 A1 *	8/2010	Yi	4/516

* cited by examiner

Primary Examiner — Jennifer Rivard

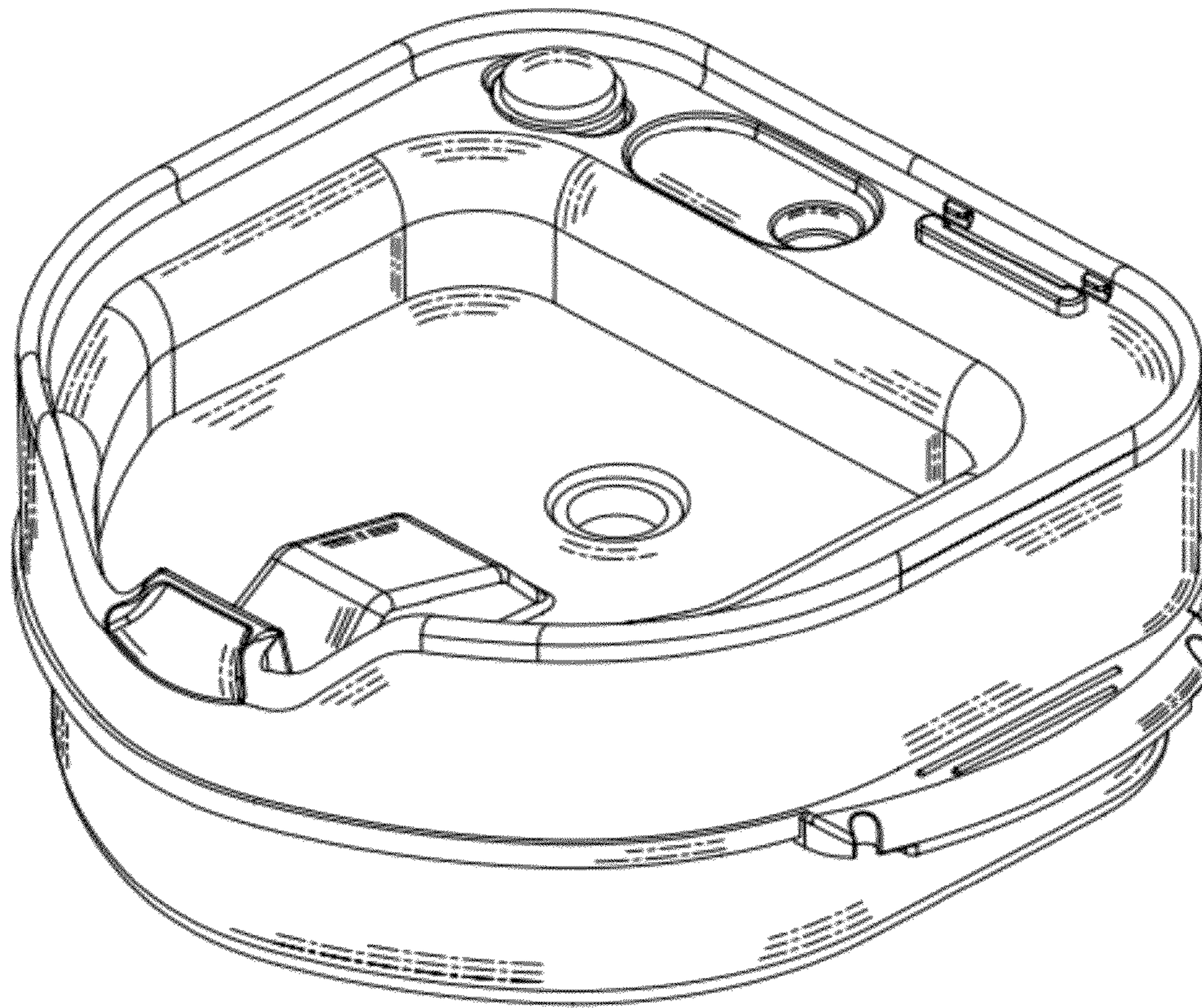
(57) **CLAIM**

The ornamental design for a portable shampooing equipment, as shown and described.

DESCRIPTION

FIG. 1 is a perspective view of a portable shampooing equipment showing my new design;
FIG. 2 is a front side view thereof;
FIG. 3 is a back side view thereof;
FIG. 4 is a left side view thereof;
FIG. 5 is a right side view thereof;
FIG. 6 is a top plan view thereof; and,
FIG. 7 is a bottom plan view thereof.

1 Claim, 5 Drawing Sheets



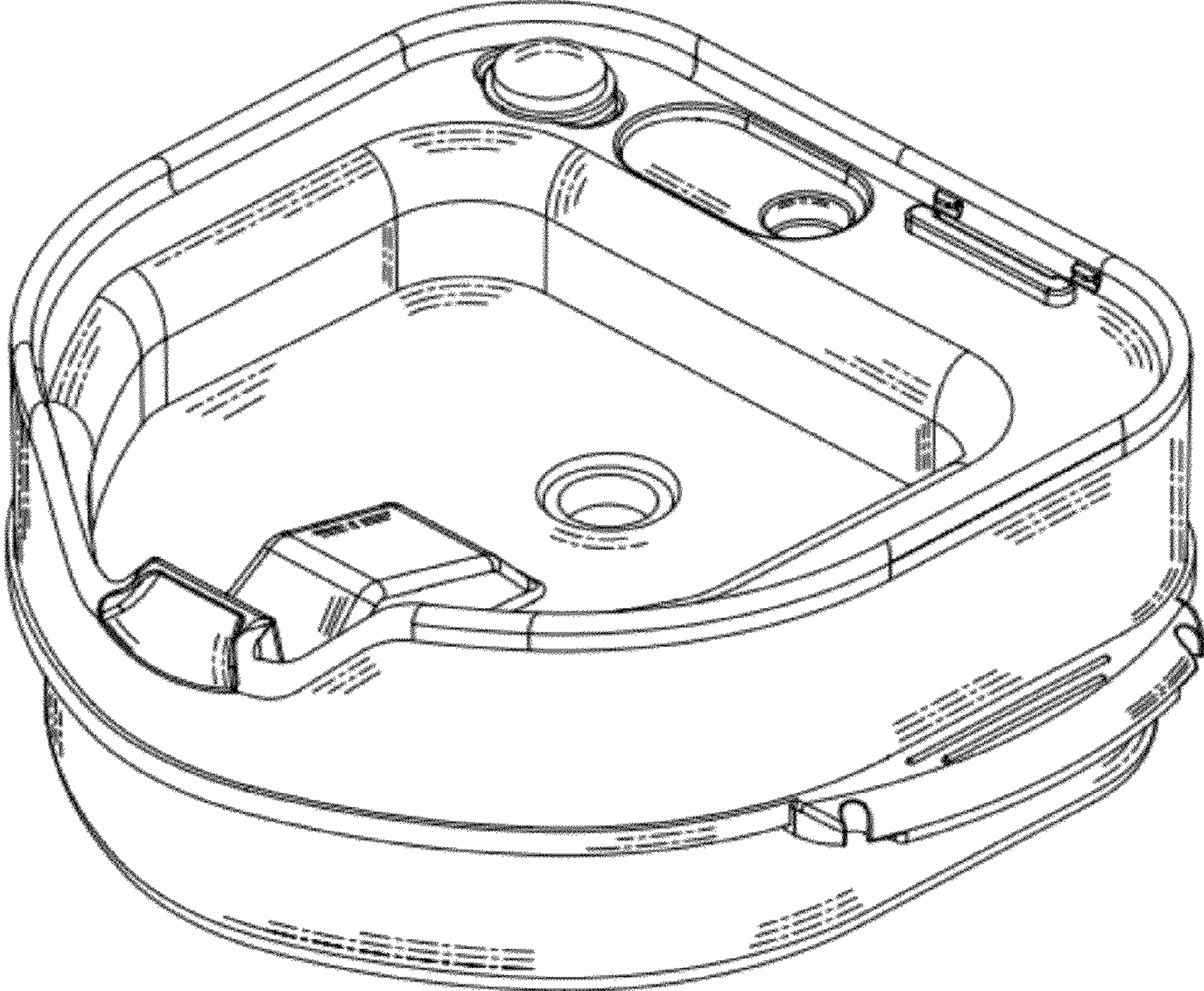


FIG. 1

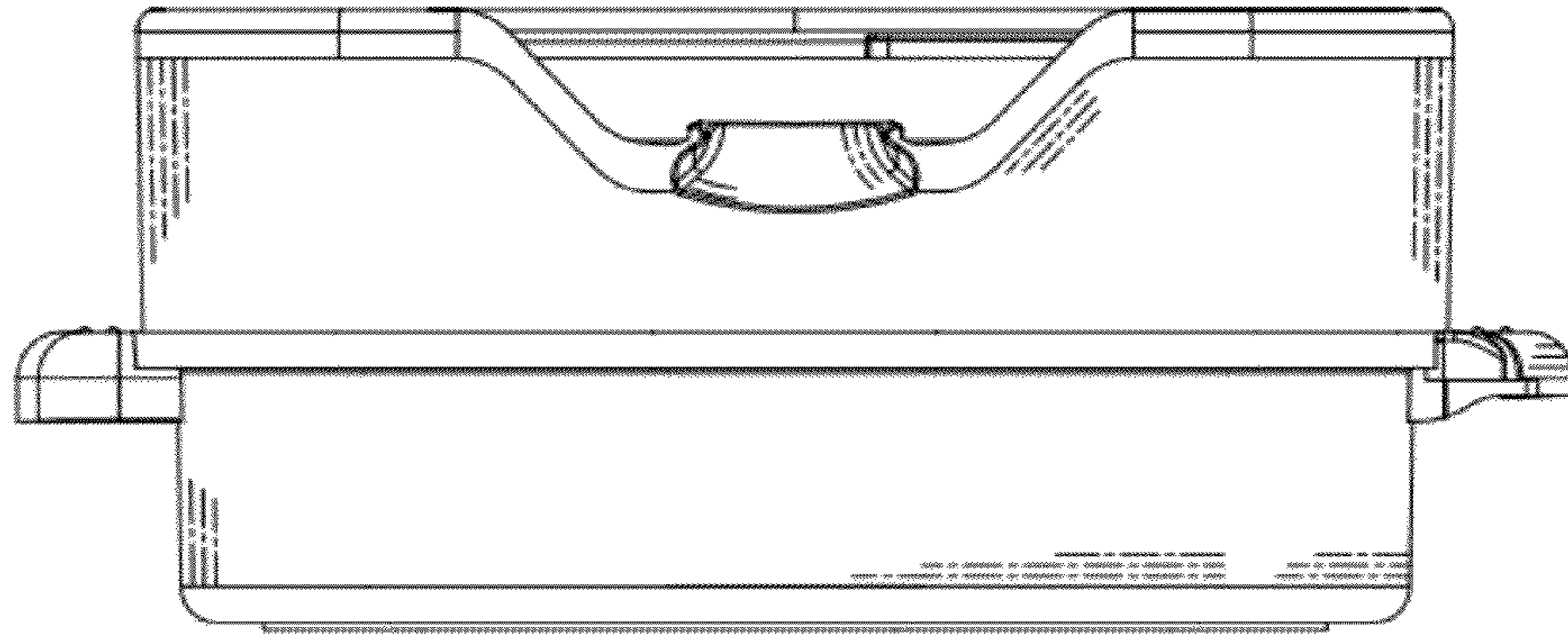


FIG. 2

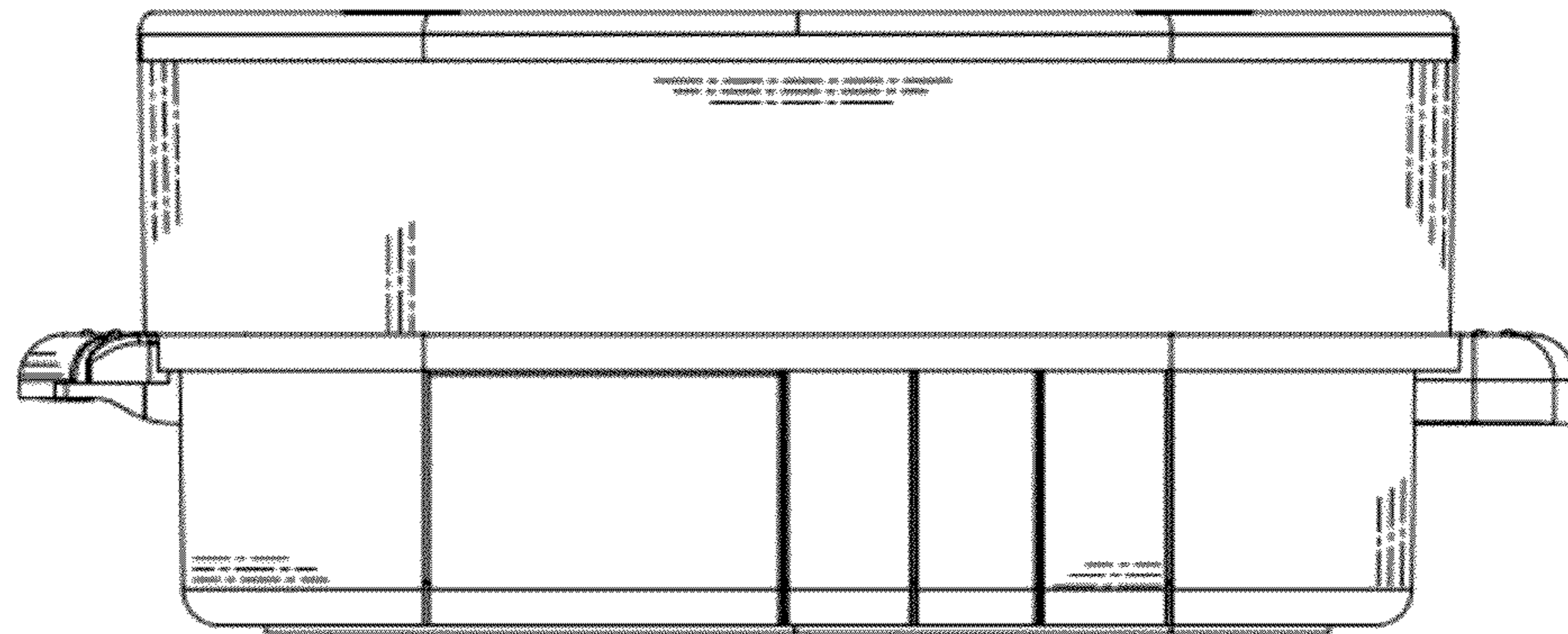


FIG. 3

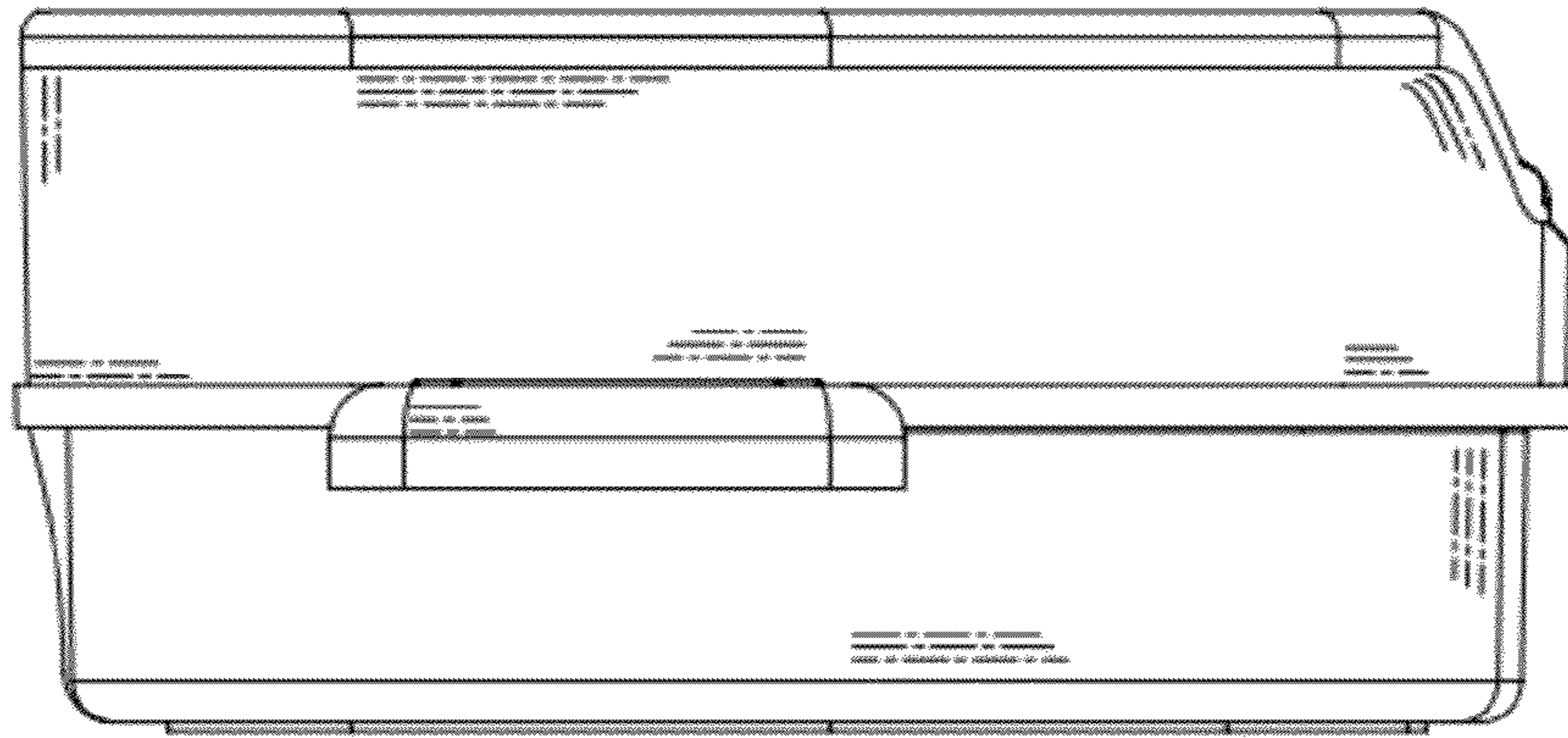


FIG. 4

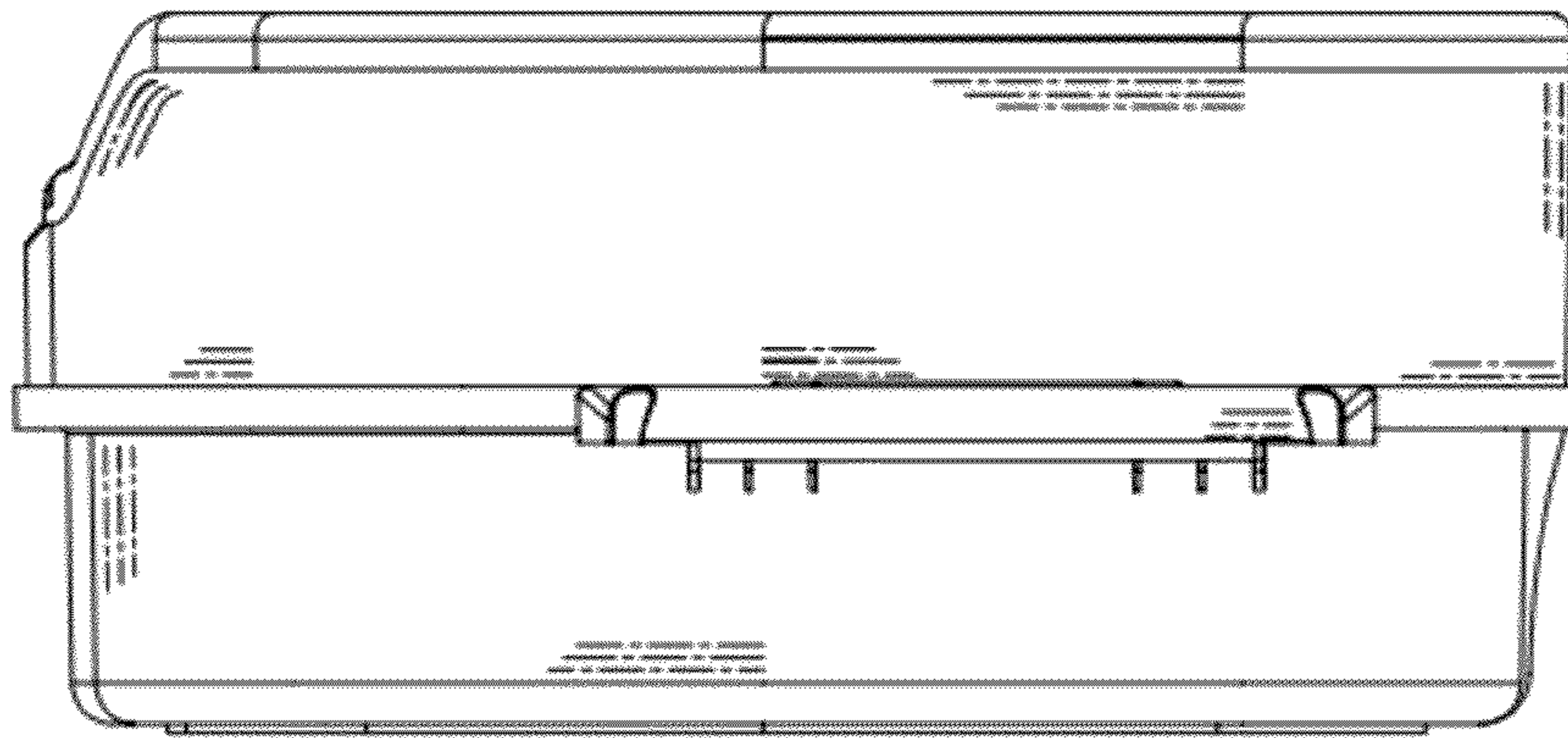


FIG. 5

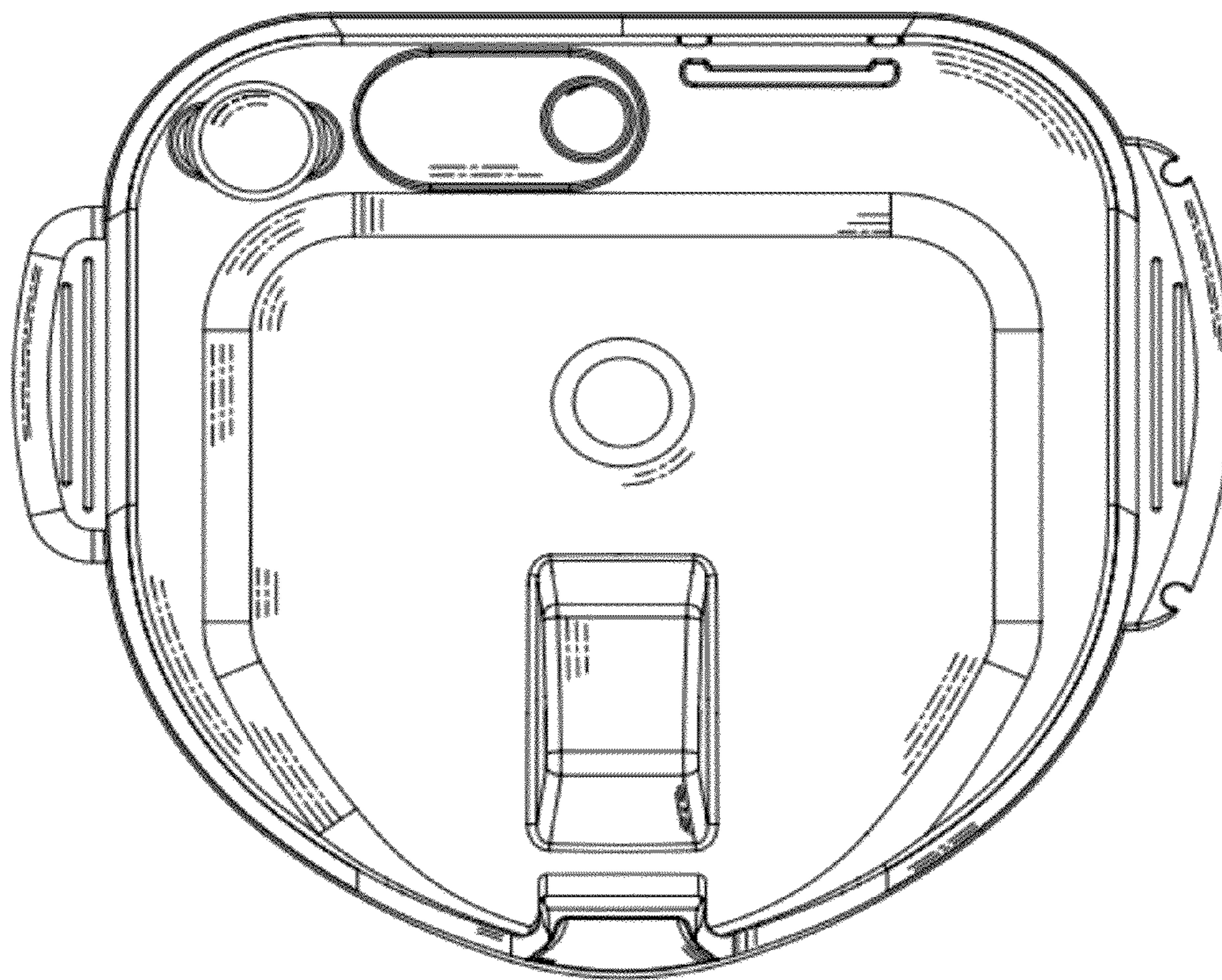


FIG. 6

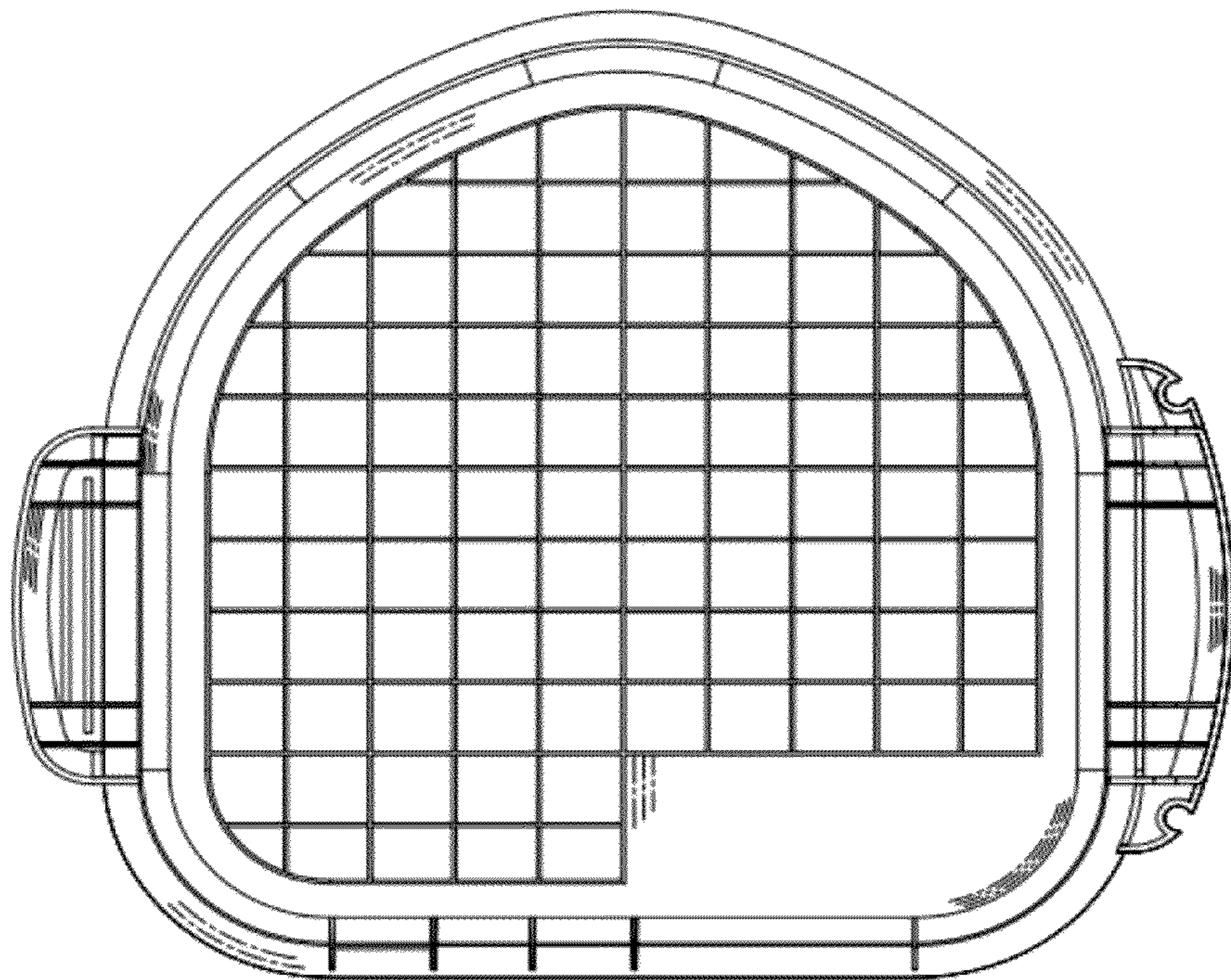


FIG. 7